



Testing Evaluation Laboratories, Inc.

2002 Wood Court Suite 1 – Plant City, FL 33563

Phone: 813-754-9887

**ASTM E 1886-13a / ASTM E 1996-14a
Missile Level "D" (Includes Wind Zone 4)**

TEST REPORT SUMMARY

Test Report Issued To:

Fleetwood Windows and Doors
1 Fleetwood Way
Corona, CA 92879

EDGE Series Sliding Glass Door

Title of Test	Results	
	Specimens 2a, 2b, 2c 4572 mm (180.00) x 3048 mm (120.00) –XXX	Specimen 3a 4572 mm (180.00) x 3048 mm (120.00) –XXX
Impact	Pass	Pass
Fatigue Load Cycling	+3591 /- 3591 Pa (+75.0/- 75.0 psf)	+3591 /- 3591 Pa (+75.0/- 75.0 psf)

Reference should be made to Report No. TEL 01993775 for complete test specimen description and data. For corresponding data regarding AAMA/WDMA/CSA 101/I.S./2/A440-17 reference should be made to Report No. TEL 01993774.

For Testing Evaluation Laboratories, Inc.

Vivian K. Wright,
President



Testing Evaluation Laboratories, Inc.

2002 Wood Court Suite 1 – Plant City, FL 33563

Phone: 813-754-9887

TEST RESULTS

IAS Lab Accreditation Number: TL-299

Report No: TEL 01993775

Test Dates: November 16, 2022
through October 2, 2023

Report Date: October 21, 2023

Record Retention End Date: October 21, 2033

Issued to:

Fleetwood Windows and Doors
1 Fleetwood Way
Corona, CA 92879

Project Summary: Testing Evaluation Laboratories, Inc. (TEL) was contracted by Fleetwood Windows and Doors to perform tests on the EDGE Series Sliding Glass Door at TEL's Plant City, FL test facility.

Test specimen descriptions and results are reported herein.

Test Specifications: The test specimens were evaluated in accordance with the following:

ASTM E 1886-13a / ASTM E 1996-14a
Missile Level "D" (Includes Wind Zone 4)

Series / Model: EDGE Series Sliding Glass Door

Type: Impact Resistant Aluminum Sliding Glass Doors

Overall Size: 4570 mm x 3048 mm (179.94" x 120.0") – XXX – All Specimens

Daylight Opening: 1478 mm x 2881 mm (58.19" x 113.44") – All Panels – All Specimens

Sash Size: 1529 mm x 2942 mm (60.19" x 115.81") – All Specimens

Glazing Detail: (See attached drawings #L-9826a and #L-9826b for details.)

Frame Material: Aluminum

Finish: Mill Finish

For Tested Elevation, Vertical Cross Sections, Horizontal Cross Sections, Components, Frame Anchoring, Glazing Detail and Bill of Materials See Attached Drawing #L-9826a and #L-9826b.

Test Results: Specimen 2a 4570 mm x 3048 mm (179.94" x 120.0") – XXX Sliding Glass Door

ASTM E1886 (13a) / ASTM E1996 (14a) - Large Missile Impact (2 x 4 Southern Yellow Pine)

Conditioning Temperature:		Missile Weight: (Level D) Excluding Wind Zone 4		Missile Length:		Muzzle Distance:	
24° C	(76.0° F)	4.14 Kg	(9 lbs 2 oz.)	2.40 m	7'-10"	5.23 m	17'2"

Impact Location	Results	(X) Measurement		(Y) Measurement		Speed	
		mm	inches	mm	inches	m/s	fps
Center of Operable Panel	Pass	3810	150.00	1499	59.00	15.2	49.8
Lower Left Corner of Operable Panel	Pass	3289	129.50	305	12.00	15.2	49.7
Center of Meeting Stile	Pass	3054	120.25	1454	57.25	15.3	50.1

Observations: Missile impacted @ X, Y coordinates fracturing exterior and interior lites with no rupture of interlayer

Positive % of Test Load	Positive Pressure Range						Number Of Cycles	Average Cycle Time (Seconds)
	Pa	to	Pa	(psf)	to	(psf)		
20% to 50%	479	to	1796	15.0	to	37.5	3500	2.35
0% to 60%	0	to	2155	0.0	to	45.0	300	2.97
50% to 80%	1796	to	2873	37.5	to	60.0	600	1.65
30% to 100%	572	to	3591	22.5	to	75.0	100	2.49

Observations: Glass deflected 108 mm (4.25") from original plane @ 100% Positive Load

Negative % of Test Load	Negative Pressure Range						Number Of Cycles	Average Cycle Time (Seconds)
	Pa	to	Pa	(psf)	to	(psf)		
30% to 100%	572	to	3591	22.5	to	75.0	50	2.98
50% to 80%	1796	to	2873	37.5	to	60.0	1050	1.37
0% to 60%	0	to	2155	0.0	to	45.0	50	2.64
20% to 50%	479	to	1796	15.0	to	37.5	3350	1.45

Observations: Glass deflected 140 mm (5.50") from original plane @ 100% Positive Load

- Note:
1. Orientation of missile at impact was within +/- 5° of horizontal.
 2. "X" measurement is from left edge of test specimen.
 3. "Y" measurement is from bottom edge of test specimen.
 4. At the completion of test there were no tears in the interlayer.

Test Technician: Christian Seifried

Test Results: Specimen 2b 4570 mm x 3048 mm (179.94" x 120.0") – XXX Sliding Glass Door

ASTM E1886 (13a) / ASTM E1996 (14a) - Large Missile Impact (2 x 4 Southern Yellow Pine)

Conditioning Temperature:		Missile Weight: (Level D) Excluding Wind Zone 4		Missile Length:		Muzzle Distance:	
24° C	(76.0° F)	4.14 Kg	(9 lbs 2 oz.)	2.40 m	7'-10"	5.23 m	17'2"

Impact Location	Results	(X) Measurement		(Y) Measurement		Speed	
		mm	inches	mm	inches	m/s	fps
Center of Operable Panel	Pass	3810	150.00	1511	59.50	15.3	50.3
Lower Left Corner of Operable Panel	Pass	3264	128.50	241	9.50	15.3	50.3
Center of Meeting Stile	Pass	3086	121.50	1448	57.00	15.3	50.2

Observations: Missile impacted @ X, Y coordinates fracturing exterior and interior lites with no rupture of interlayer

Positive % of Test Load	Positive Pressure Range						Number Of Cycles	Average Cycle Time (Seconds)
	Pa	to	Pa	(psf)	to	(psf)		
20% to 50%	479	to	1796	15.0	to	37.5	3500	2.17
0% to 60%	0	to	2155	0.0	to	45.0	300	2.85
50% to 80%	1796	to	2873	37.5	to	60.0	600	1.79
30% to 100%	572	to	3591	22.5	to	75.0	100	2.98

Observations: Glass deflected 95 mm (3.75") from original plane @ 100% Positive Load

Negative % of Test Load	Negative Pressure Range						Number Of Cycles	Average Cycle Time (Seconds)
	Pa	to	Pa	(psf)	to	(psf)		
30% to 100%	572	to	3591	22.5	to	75.0	50	2.95
50% to 80%	1796	to	2873	37.5	to	60.0	1050	2.02
0% to 60%	0	to	2155	0.0	to	45.0	50	2.41
20% to 50%	479	to	1796	15.0	to	37.5	3350	1.98

Observations: Glass deflected 121 mm (4.75") from original plane @ 100% Positive Load

- Note:
1. Orientation of missile at impact was within +/- 5° of horizontal.
 2. "X" measurement is from left edge of test specimen.
 3. "Y" measurement is from bottom edge of test specimen.
 4. At the completion of test there were no tears in the interlayer.

Test Technician: Christian Seifried

Test Results: Specimen 2c 4570 mm x 3048 mm (179.94" x 120.0") – XXX Sliding Glass Door

ASTM E1886 (13a) / ASTM E1996 (14a) - Large Missile Impact (2 x 4 Southern Yellow Pine)

Conditioning Temperature:		Missile Weight: (Level D) Excluding Wind Zone 4		Missile Length:		Muzzle Distance:	
24° C	(76.0° F)	4.14 Kg	(9 lbs 2 oz.)	2.40 m	7'-10"	5.23 m	17'2"

Impact Location	Results	(X) Measurement		(Y) Measurement		Speed	
		mm	inches	mm	inches	m/s	fps
Center of Operable Panel	Pass	3772	148.50	1524	60.00	15.2	49.8
Upper Right Corner of Operable Panel	Pass	4382	172.50	2794	110.00	15.3	50.3
Center of Meeting Stile	Pass	3048	120.00	1448	57.00	15.3	50.3

Observations: Missile impacted @ X, Y coordinates fracturing exterior and interior lites with no rupture of interlayer

Positive % of Test Load	Positive Pressure Range						Number Of Cycles	Average Cycle Time (Seconds)
	Pa	to	Pa	(psf)	to	(psf)		
20% to 50%	479	to	1796	15.0	to	37.5	3500	2.00
0% to 60%	0	to	2155	0.0	to	45.0	300	2.40
50% to 80%	1796	to	2873	37.5	to	60.0	600	1.99
30% to 100%	572	to	3591	22.5	to	75.0	100	2.93

Observations: Glass deflected 95 mm (3.75") from original plane @ 100% Positive Load

Negative % of Test Load	Negative Pressure Range						Number Of Cycles	Average Cycle Time (Seconds)
	Pa	to	Pa	(psf)	to	(psf)		
30% to 100%	572	to	3591	22.5	to	75.0	50	2.81
50% to 80%	1796	to	2873	37.5	to	60.0	1050	1.45
0% to 60%	0	to	2155	0.0	to	45.0	50	2.41
20% to 50%	479	to	1796	15.0	to	37.5	3350	2.08

Observations: Glass deflected 102 mm (4.00") from original plane @ 100% Positive Load

- Note:
1. Orientation of missile at impact was within +/- 5° of horizontal.
 2. "X" measurement is from left edge of test specimen.
 3. "Y" measurement is from bottom edge of test specimen.
 4. At the completion of test there were no tears in the interlayer.

Test Technician: Christian Seifried

Test Results: Specimen 3a 4570 mm x 3048 mm (179.94" x 120.0") – XXX Sliding Glass Door

ASTM E1886 (13a) / ASTM E1996 (14a) - Large Missile Impact (2 x 4 Southern Yellow Pine)

Conditioning Temperature:		Missile Weight: (Level D) Excluding Wind Zone 4		Missile Length:		Muzzle Distance:	
24° C	(76.0° F)	4.14 Kg	(9 lbs 2 oz.)	2.40 m	7'-10"	5.23 m	17'2"

Impact Location	Results	(X) Measurement		(Y) Measurement		Speed	
		mm	inches	mm	inches	m/s	fps
Center of Operable Panel	Pass	3785	149.00	1524	60.00	15.2	49.6
Lower Left Corner of Operable Panel	Pass	3200	126.00	279	11.00	15.2	49.8
Center of Meeting Stile	Pass	3029	119.25	1448	57.00	15.2	49.9

Observations: Missile impacted @ X, Y coordinates fracturing exterior and interior lites with no rupture of interlayer

Positive % of Test Load	Positive Pressure Range						Number Of Cycles	Average Cycle Time (Seconds)
	Pa	to	Pa	(psf)	to	(psf)		
20% to 50%	479	to	1796	15.0	to	37.5	3500	2.17
0% to 60%	0	to	2155	0.0	to	45.0	300	2.85
50% to 80%	1796	to	2873	37.5	to	60.0	600	1.79
30% to 100%	572	to	3591	22.5	to	75.0	100	2.98

Observations: Glass deflected 121 mm (4.75") from original plane @ 100% Positive Load

Negative % of Test Load	Negative Pressure Range						Number Of Cycles	Average Cycle Time (Seconds)
	Pa	to	Pa	(psf)	to	(psf)		
30% to 100%	572	to	3591	22.5	to	75.0	50	2.95
50% to 80%	1796	to	2873	37.5	to	60.0	1050	2.02
0% to 60%	0	to	2155	0.0	to	45.0	50	2.41
20% to 50%	479	to	1796	15.0	to	37.5	3350	1.98

Observations: Glass deflected 102 mm (4.0") from original plane @ 100% Positive Load

- Note:
1. Orientation of missile at impact was within +/- 5° of horizontal.
 2. "X" measurement is from left edge of test specimen.
 3. "Y" measurement is from bottom edge of test specimen.
 4. At the completion of test there were no tears in the interlayer.

Test Technician: Christian Seifried

General Note:

Tape and film were used to seal against air leakage during fatigue loading/cycling. In our opinion, the tape and film did not influence the results of the tests.

Drawing Reference

The test specimen drawings have been reviewed by TEL and are representative of the test specimens reported herein.

Conditions, Terms, and General Notes Regarding These Tests

The product tested Has Been compared to the detailed drawing, bill of materials and fabrication information supplied by the client so named herein. Our analysis, which includes dimensional and component description comparisons, indicate the tested product and engineering information supplied by the client "Are Equivalent".

The report and representative samples will be retained for four years from the date of initial test.

These test results were obtained by employing all requirements of the designated test methods with no Deviations unless explicitly noted in test report. The test results and specimen supplied for testing are in compliance with the reference.

The test results are specific to the product tested by this laboratory and of the sample supplied by the client named herein, and they relate to no other product either manufactured by the client, a fabricator of the client or of installed field performance.

This test report does not constitute certification of this product, but only that the above test results were obtained using the designated test methods and they indicate compliance with the performance requirements (paragraphs as listed) of the above referenced specifications.

Testing Evaluation Laboratories, Inc. makes no opinions or endorsements regarding this product and its performance. This report may not be reproduced or quoted in partial form without the expressed written approval of Testing Evaluation Laboratories, Inc.

Testing Evaluation Laboratories, Inc.'s letter, reports, its name or insignia or mark are for the exclusive use of the client so named herein and any other use is strictly prohibited. The report, letters and the name of Testing Evaluation Laboratories, Inc., its seal or mark shall not be used in any circumstance to the general public or in any advertising.

Limitation of liability: Due diligence was used in performing the tests and reporting the results. By acceptance of this report, this client agrees to hold harmless and indemnify Testing Evaluation Laboratories, Inc., its employees, sub-contractors and officers and owners against all claims and demands of any kind whatsoever, which arise out of or in any manner connected with the performance of work referred to herein.

Testing Evaluation Laboratories, Inc.



Vivian K. Wright,
President

Revision Log

Rev No.	Date	Page(s)	Revision(s)
0	10/21/2023	NA	Original Report Issue

TABLE OF CONTENTS

SHEET #	DESCRIPTION
1	Table of Contents
2	Test Elevation
3	Horizontal Cross Section
4	Horizontal Cross Section
5	Vertical Cross Section
6	Vertical Cross Section
7	Frame Anchoring
8	Components
9	Bill of Materials & Glazing Detail

Testing Evaluation Laboratories Inc.
 Specimen Complies with Drawing
 Deviations Noted - TEL# 01993775
 Date 4/06/2023 Verified by VKW

PRODUCT: FLEETWOOD
 EDGE SLIDING GLASS DOOR
 SPEC #2

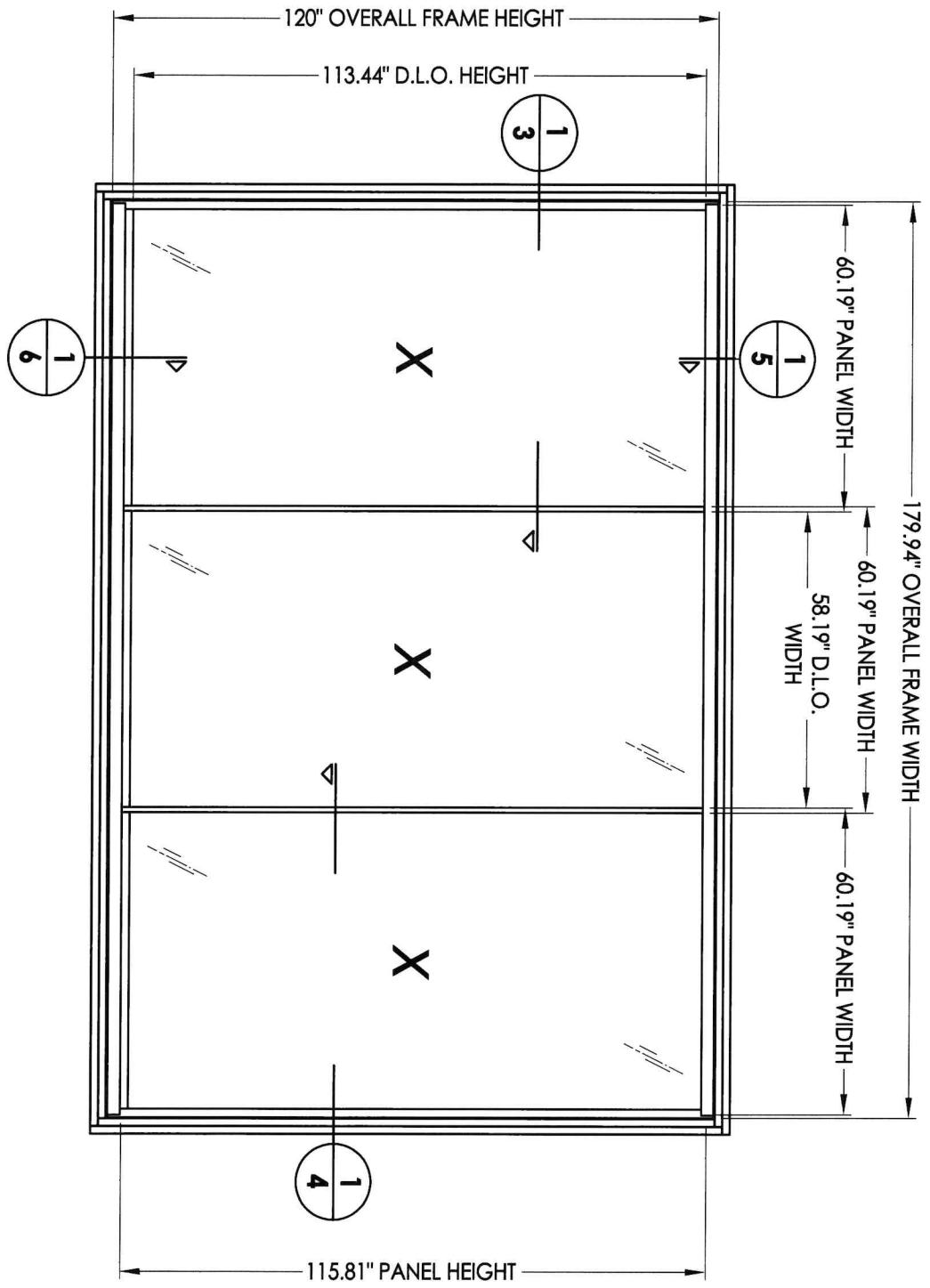
PART OR ASSEMBLY:
 TABLE OF CONTENTS

NO.	DATE	BY

REVISIONS

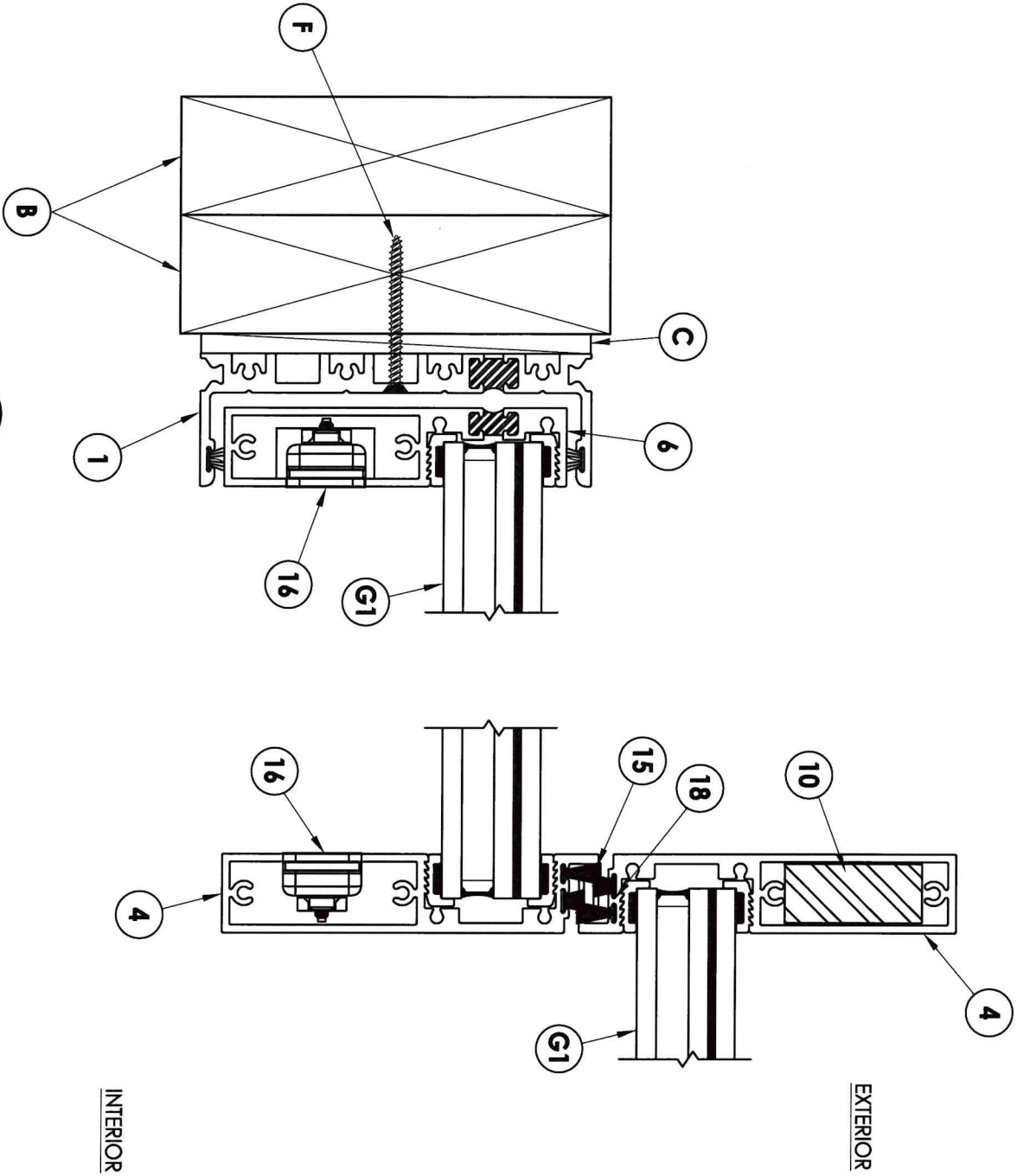


DATE: 4/04/23
 SCALE: N.T.S.
 DWG. BY: LFS
 CHK. BY: RW
 DRAWING NO.: L-9826d
 SHEET 1 of 9



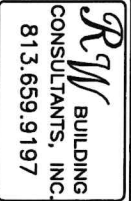
Testing Evaluation Laboratories Inc.
 Specimen Complies with Drawing
 Deviations Noted - TEL# 01993775
 Date 4/06/2023 Verified by VKW

DATE: 4/04/23 SCALE: N.T.S. DWG. BY: LFS CHK. BY: RW DRAWING NO.: L-9826d SHEET 2 OF 9		R.W. BUILDING CONSULTANTS, INC. 813.659.9197	PRODUCT: FLEETWOOD EDGE SLIDING GLASS DOOR	
PART OR ASSEMBLY: TEST ELEVATION			REVISIONS NO. DATE BY	

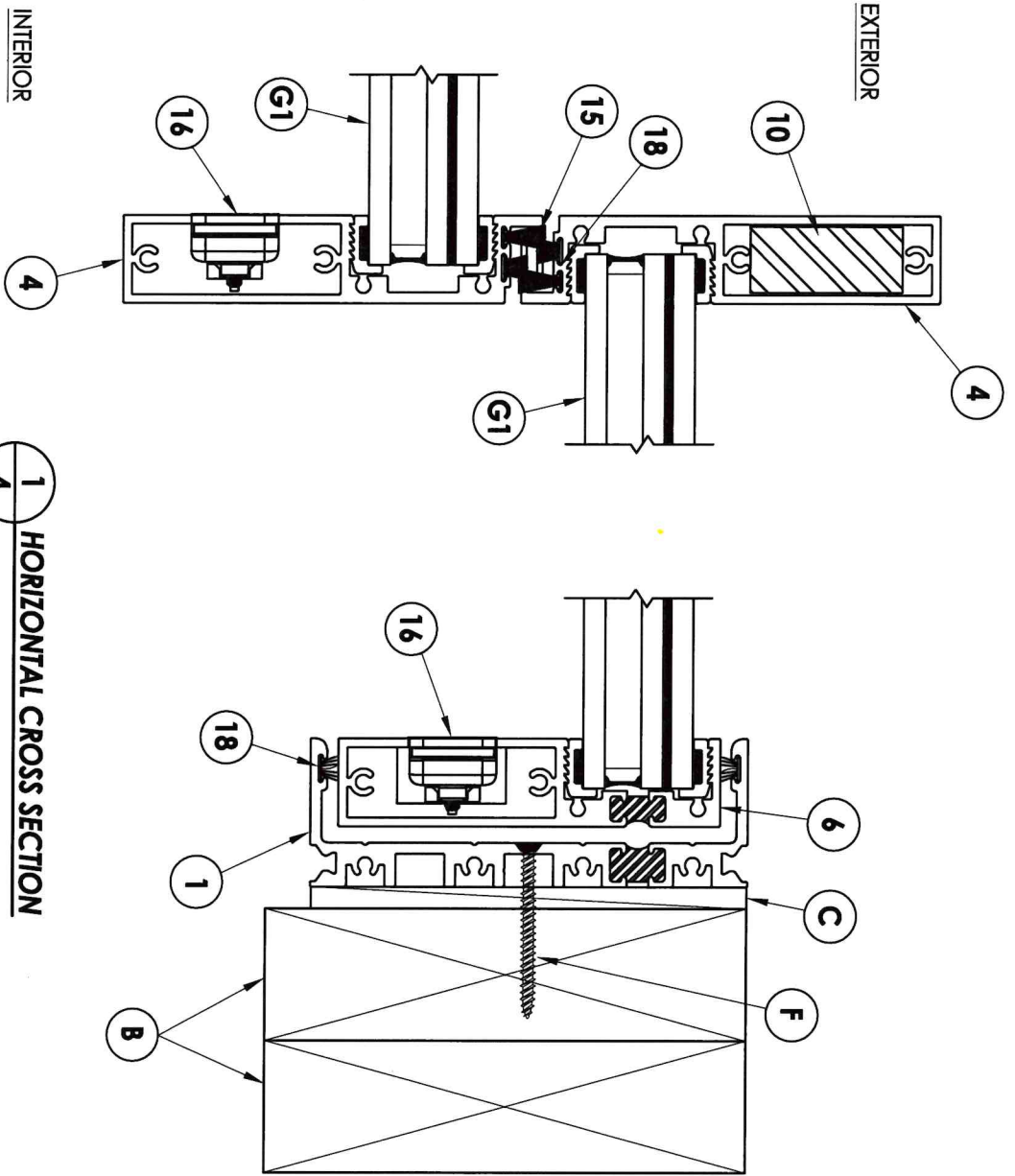


1 HORIZONTAL CROSS SECTION
3

Testing Evaluation Laboratories Inc.
 Specimen Complies with Drawing
 Deviations Noted - TEL# 01993775
 Date 4/06/2023 Verified by VKW


 R.W. BUILDING CONSULTANTS, INC. 813.659.9197		PRODUCT: FLEETWOOD EDGE SLIDING GLASS DOOR	
		PART OR ASSEMBLY: HORIZONTAL CROSS SECTION	
NO.	DATE	BY	
REVISIONS			

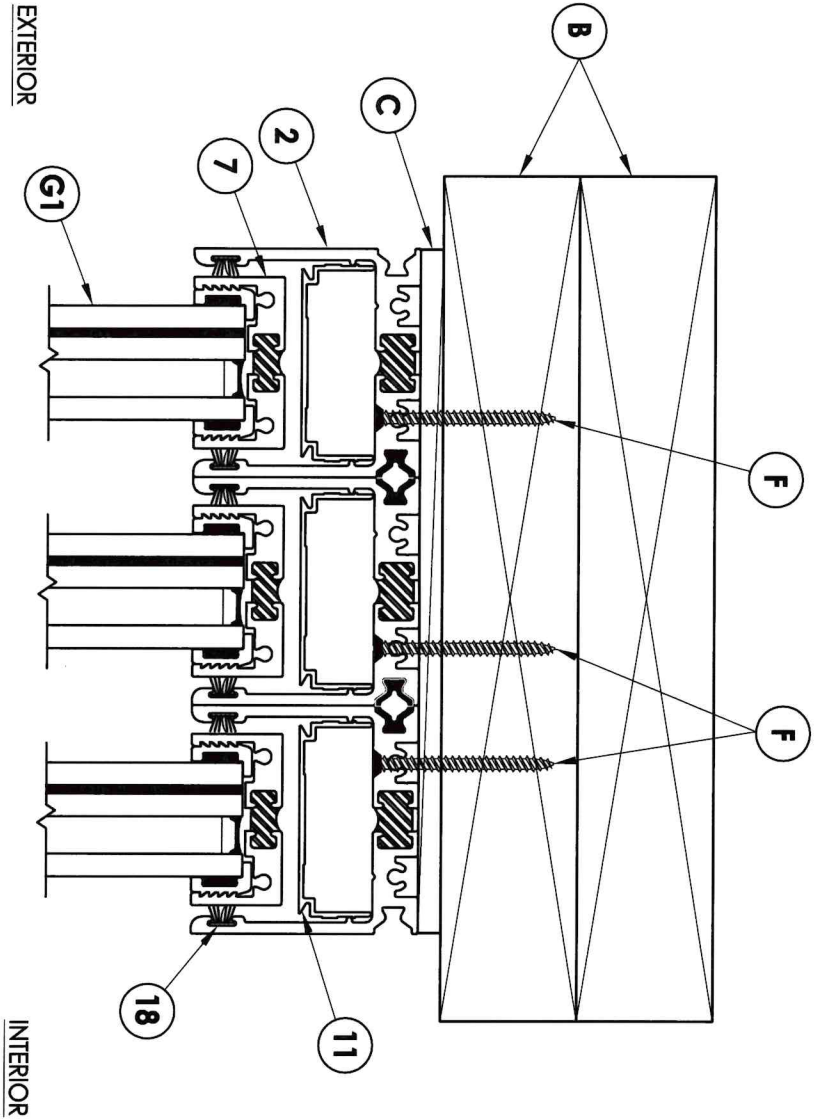
DATE:	4/04/23
SCALE:	N.T.S.
DWG. BY:	LFS
CHK. BY:	RW
DRAWING NO.:	L-9826d
SHEET	3 OF 9



1
4
HORIZONTAL CROSS SECTION

Testing Evaluation Laboratories Inc.
 Specimen Complies with Drawing
 Deviations Noted - TEL# 01993775
 Date 4/06/2023 Verified by VKW

 R.W. BUILDING CONSULTANTS, INC. 813.659.9197		PRODUCT: FLEETWOOD EDGE SLIDING GLASS DOOR	
		PART OR ASSEMBLY: HORIZONTAL CROSS SECTION	
DATE: 4/04/23	SCALE: N.T.S.	DWG. BY: LFS	CHK. BY: RW
DRAWING NO.: L-9826d		SHEET 4 OF 9	
NO.	DATE	BY	REVISIONS



1 / 5 VERTICAL CROSS SECTION

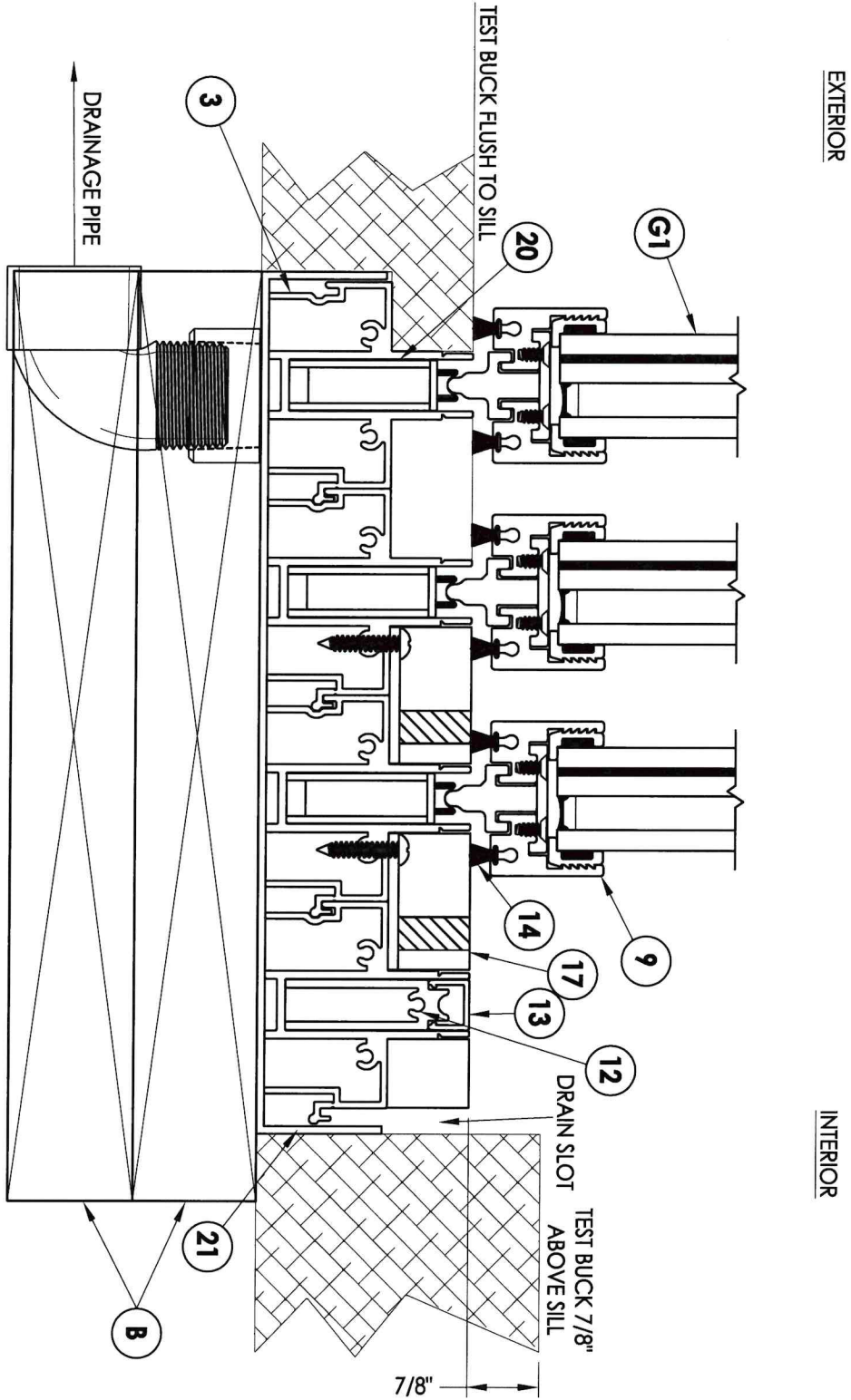
Testing Evaluation Laboratories Inc.
 Specimen Complies with Drawing
 Deviations Noted - TEL# 01993775
 Date 4/06/2023 Verified by VKW

PRODUCT:		FLEETWOOD EDGE SLIDING GLASS DOOR
PART OR ASSEMBLY:		VERTICAL CROSS SECTION

NO.	DATE	BY

RW BUILDING CONSULTANTS, INC.
 813.659.9197

DATE:	4/04/23
SCALE:	N.T.S.
DWG. BY:	LFS
CHK. BY:	RW
DRAWING NO.:	L-9826d
SHEET	5 OF 9



EXTERIOR

INTERIOR

Testing Evaluation Laboratories Inc.
 Specimen Complies with Drawing
 Deviations Noted - TEL# 01993775
 Date 4/06/2023 Verified by VKW

1
6
VERTICAL CROSS SECTION

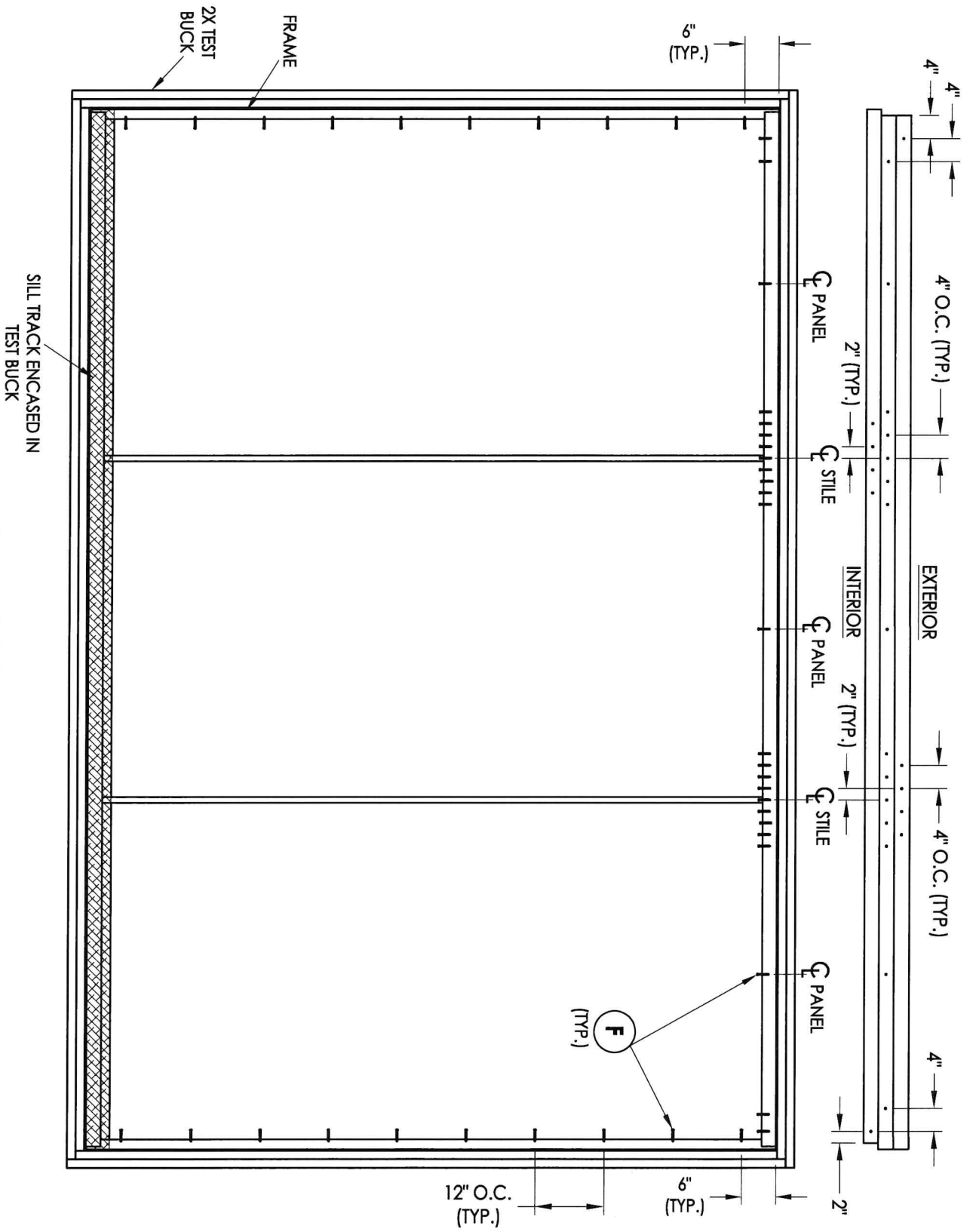
PRODUCT: FLEETWOOD
 EDGE SLIDING GLASS DOOR

PART OR ASSEMBLY:
 VERTICAL
 CROSS SECTION

NO.	DATE	REVISIONS	BY

RW BUILDING
 CONSULTANTS, INC.
 813.659.9197

DATE: 4/04/23
 SCALE: N.T.S.
 DWG. BY: LFS
 CHK. BY: RW
 DRAWING NO.: L-9826d
 SHEET 6 OF 9



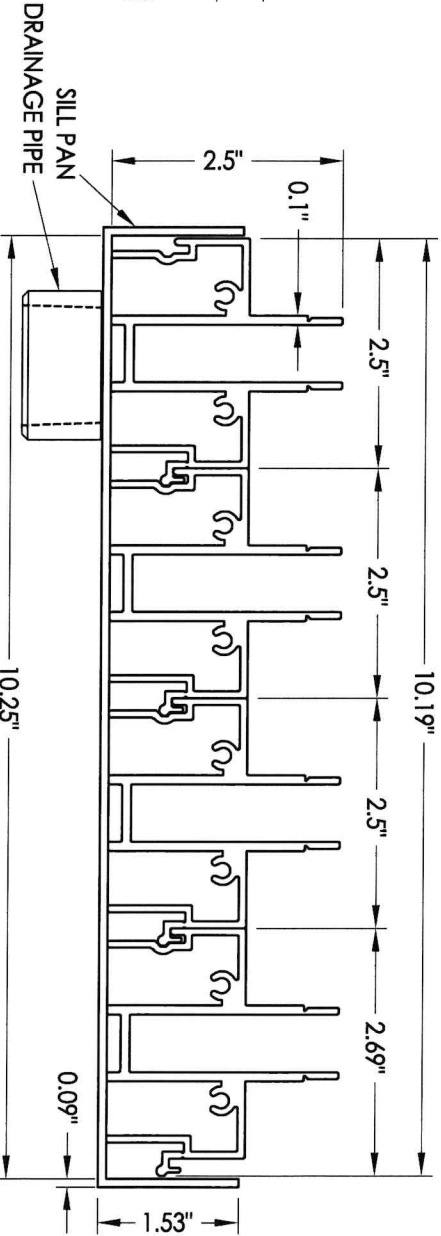
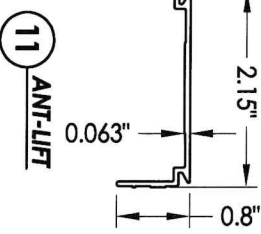
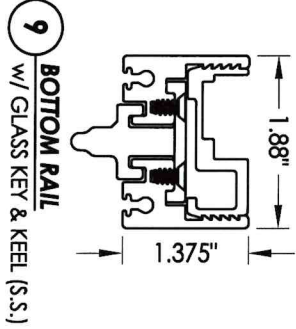
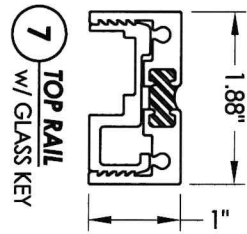
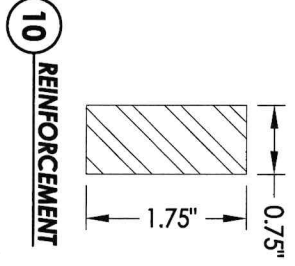
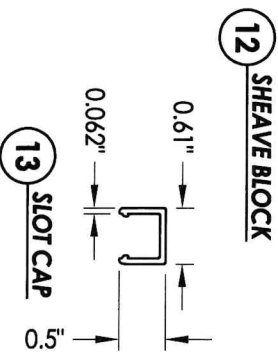
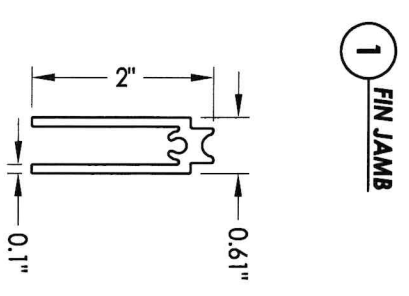
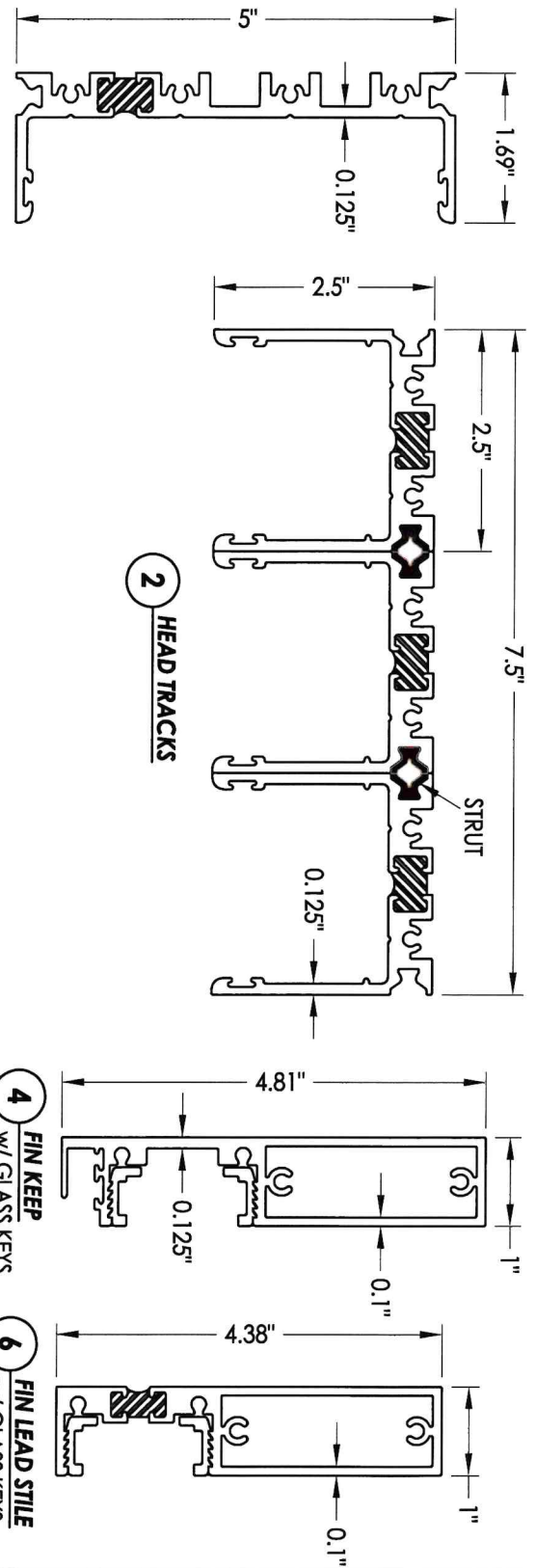
Testing Evaluation Laboratories Inc.
 Specimen Complies with Drawing
 Deviations Noted - TEL# 01993775
 Date 4/06/2023 Verified by VKW

FRAME ANCHORING
 2X TEST BUCK

PRODUCT: FLEETWOOD EDGE SLIDING GLASS DOOR	
PART OR ASSEMBLY: FRAME ANCHORING	
NO.	DATE
REVISIONS	
BY	

RW BUILDING
 CONSULTANTS, INC.
 813.659.9197

DATE: 4/04/23
 SCALE: N.T.S.
 DWG. BY: LFS
 CHK. BY: RW
 DRAWING NO.: L-9826d
 SHEET 7 OF 9



Testing Evaluation Laboratories Inc.
 Specimen Complies with Drawing
 Deviations Noted - TEL# 01993775
 Date 4/06/2023 Verified by VKW

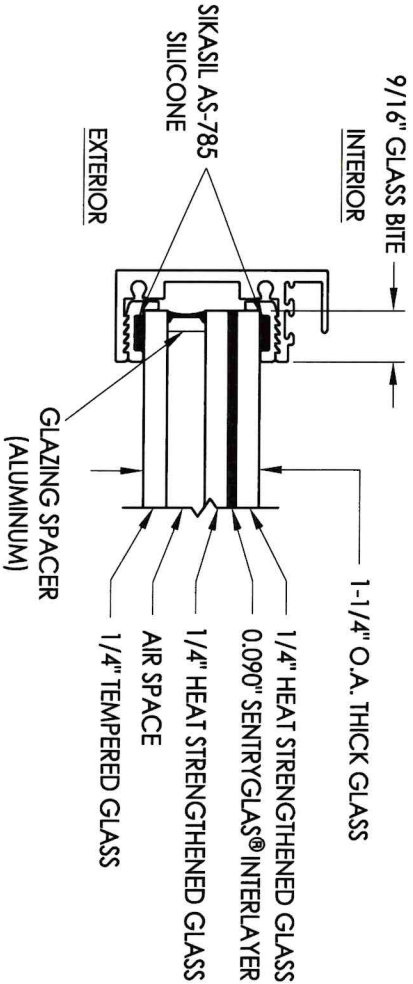
PRODUCT:	FLEETWOOD EDGE SLIDING GLASS DOOR
PART OR ASSEMBLY:	COMPONENTS

NO.	DATE	REVISIONS	BY

RW BUILDING CONSULTANTS, INC.
 813.659.9197

DATE:	4/04/23
SCALE:	N.T.S.
DWG. BY:	LFS
CHK. BY:	RW
DRAWING NO.:	L-9826a
SHEET	8 OF 9

BILL OF MATERIALS		MATERIAL
ITEM #	DESCRIPTION	
B	2X TEST BUCK (G >= 0.42)	WOOD
C	1/4" MAX. SHIM SPACE	-
F	#10 X 2" FH WOOD SCREW	STEEL
1	FIN JAMB	6063-T6 ALUM
2	HEAD TRACKS	6063-T6 ALUM
3	SILL TRACKS	6063-T6 ALUM
4	FIN KEEP	6063-T6 ALUM
6	FIN LEAD STILE	6063-T6 ALUM
7	TOP RAIL	6063-T6 ALUM
9	BOTTOM RAIL	6063-T6 ALUM
10	REINFORCEMENT	6063-T6 ALUM
11	ANTI-LIFT	6063-T6 ALUM
12	SHEAVE BLOCK	6063-T6 ALUM
13	SLOT CAP	6063-T6 ALUM
14	MOHAR WEATHERSTRIP	-
15	MOHAR WEATHERSTRIP	-
16	BLADE LOCKING HARDWARE	-
17	BLADE CASE	-
18	MOHAR WEATHERSTRIP	-
20	A4-E SHEAVE	-
21	SILL PAN	5052-ALUM



G1 GLAZING DETAIL
(ALUMINIUM)

Testing Evaluation Laboratories Inc.
 Specimen Complies with Drawing
 Deviations Noted - TEL # 01993775
 Date 4/06/2023 Verified by VKW

PRODUCT:	FLEETWOOD EDGE SLIDING GLASS DOOR
PART OR ASSEMBLY:	BILL OF MATERIALS, COMPONENTS & GLAZING DETAILS

NO.	DATE	BY

RW BUILDING CONSULTANTS, INC.
 813.659.9197

DATE:	4/04/23
SCALE:	N.T.S.
DWG. BY:	LFS
CHK. BY:	RW
DRAWING NO.:	L-9826d
SHEET	9 OF 9

TABLE OF CONTENTS

SHEET #	DESCRIPTION
1	Table of Contents
2	Test Elevation
3	Horizontal Cross Section
4	Horizontal Cross Section
5	Vertical Cross Section
6	Vertical Cross Section
7	Frame Anchoring
8	Components
9	Bill of Materials & Glazing Detail

Testing Evaluation Laboratories Inc.
 Specimen Complies with Drawing
 Deviations Noted - TEL# 01993775
 Date 4/06/2023 Verified by VKW

PRODUCT: FLEETWOOD
 EDGE SLIDING GLASS DOOR
 SPEC #3

PART OR ASSEMBLY:
 TABLE OF CONTENTS

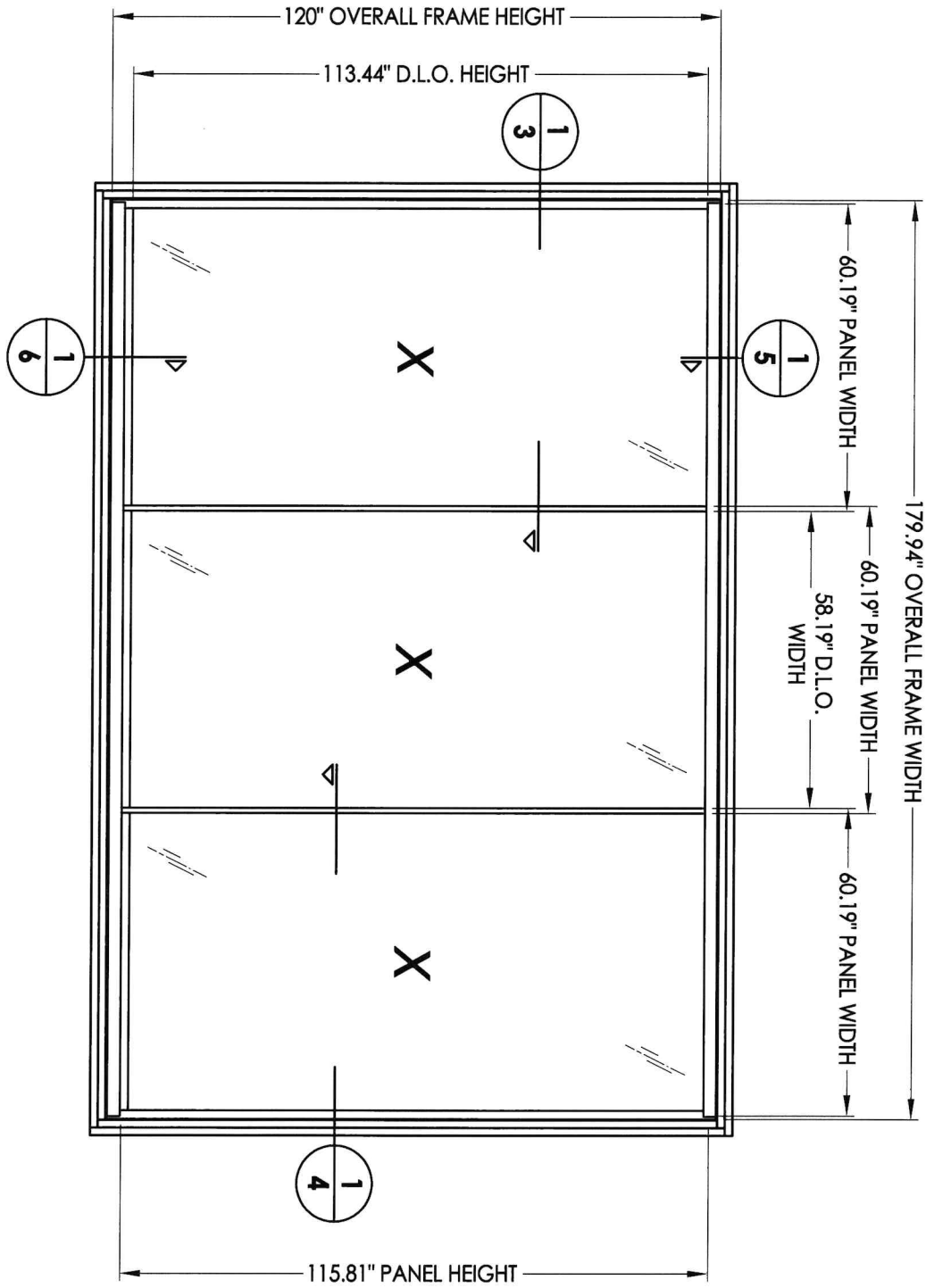
NO.	DATE	BY

REVISIONS



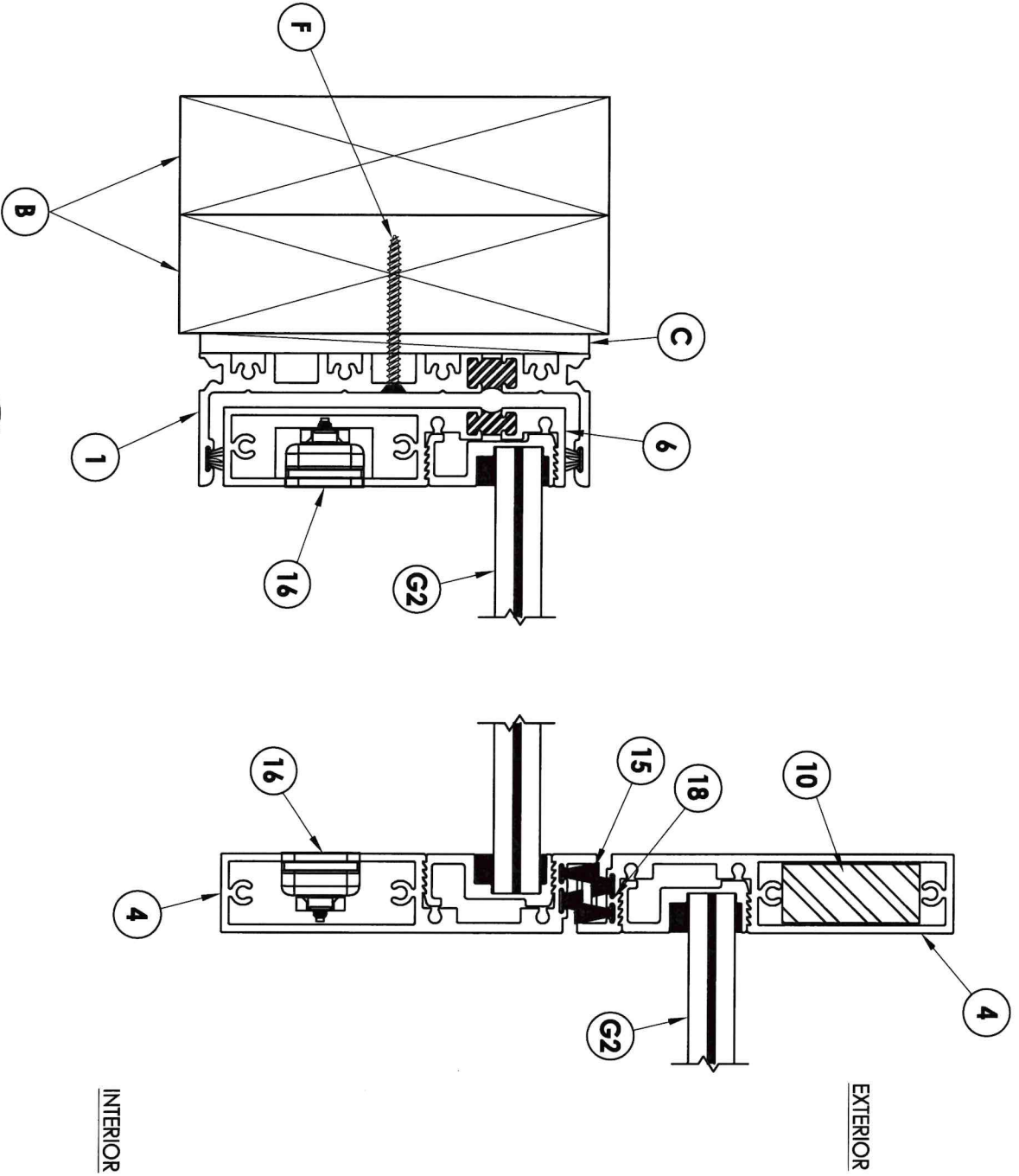
R.W. BUILDING CONSULTANTS, INC.
 813.659.9197

DATE: 4/04/23
 SCALE: N.T.S.
 DWG. BY: LFS
 CHK. BY: RW
 DRAWING NO.: L-9826b
 SHEET 1 OF 9



Testing Evaluation Laboratories Inc.
 Specimen Complies with Drawing
 Deviations Noted - TEL# 01993775
 Date 4/06/2023 Verified by VKW

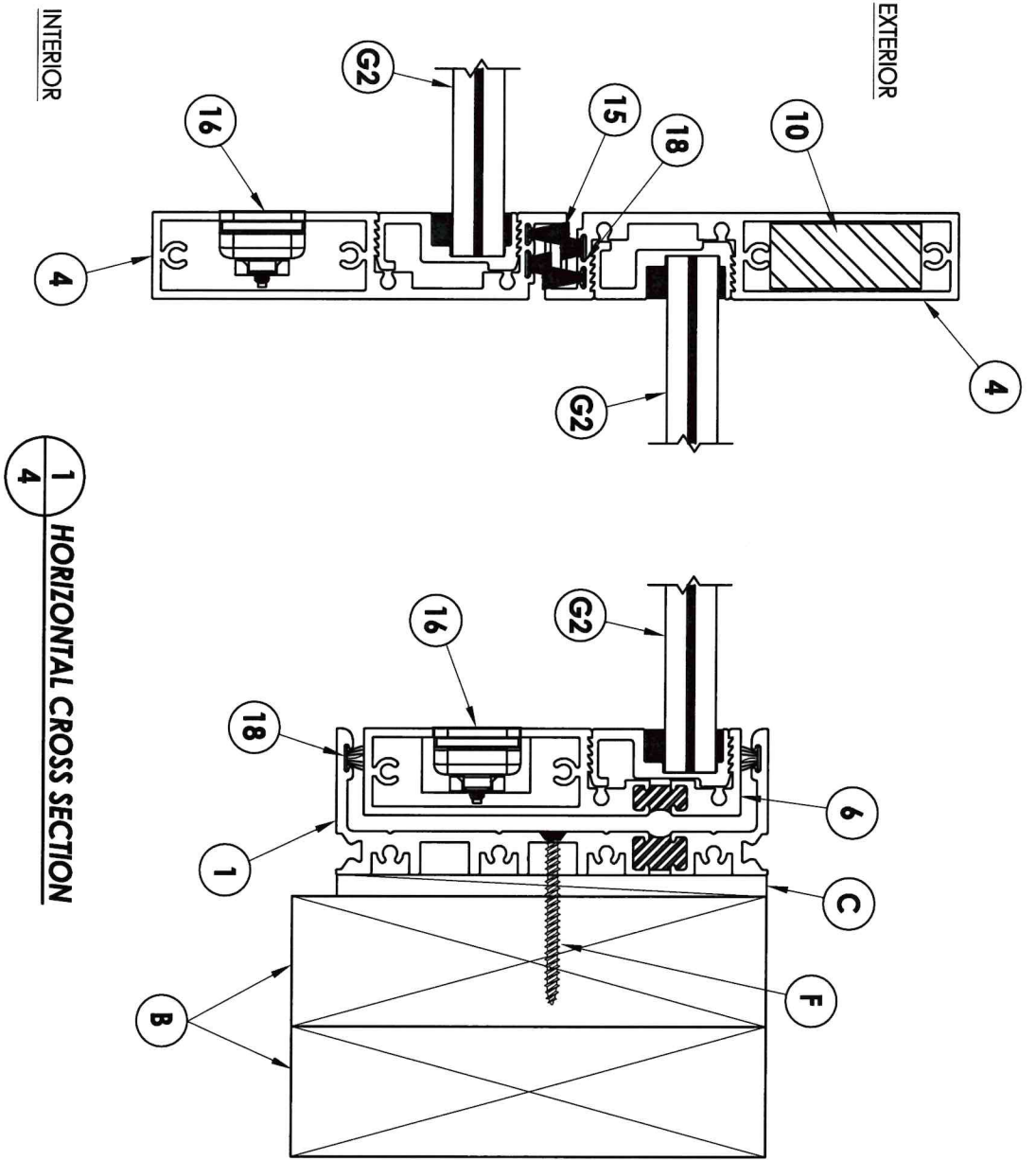
DATE: 4/04/23 SCALE: N.T.S. DWG. BY: LFS CHK. BY: RW DRAWING NO.: L-9826b SHEET 2 OF 9		R ⁹ W BUILDING CONSULTANTS, INC. 813.659.9197	PRODUCT: FLEETWOOD EDGE SLIDING GLASS DOOR	
NO. DATE BY			PART OR ASSEMBLY: TEST ELEVATION	
REVISIONS				



1 HORIZONTAL CROSS SECTION
3

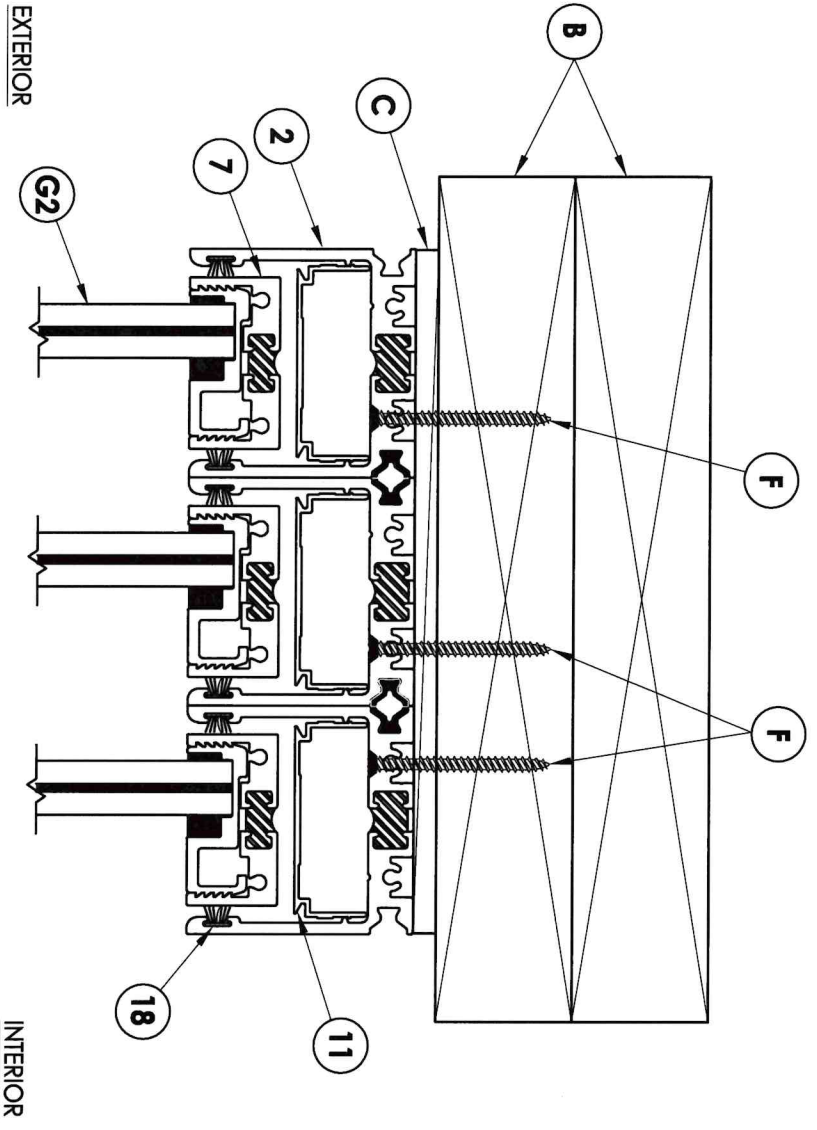
Testing Evaluation Laboratories Inc.
Specimen Complies with Drawing
Deviations Noted - TEL# 01993775
Date 4/06/2023 Verified by VKW

<p>DATE: 4/04/23 SCALE: N.T.S. DWG. BY: LFS CHK. BY: RW DRAWING NO.: L-9826b SHEET 3 OF 9</p>		<p>PRODUCT: FLEETWOOD EDGE SLIDING GLASS DOOR</p>	
<p>NO. DATE BY</p>		<p>PART OR ASSEMBLY: HORIZONTAL CROSS SECTION</p>	
<p>REVISIONS</p>			



Testing Evaluation Laboratories Inc.
 Specimen Complies with Drawing
 Deviations Noted - TEL# 01993775
 Date 4/06/2023 Verified by VKW

PRODUCT: FLEETWOOD EDGE SLIDING GLASS DOOR		
PART OR ASSEMBLY: HORIZONTAL CROSS SECTION		
NO.	DATE	BY
REVISIONS		
BUILDING CONSULTANTS, INC. 813.659.9197		
DATE:	4/04/23	
SCALE:	N.T.S.	
DWG. BY:	LFS	
CHK. BY:	RW	
DRAWING NO.:	L-9826b	
SHEET	4 OF 9	



1
5 VERTICAL CROSS SECTION

Testing Evaluation Laboratories Inc.
 Specimen Complies with Drawing
 Deviations Noted - TEL# 01993775
 Date 4/06/2023 Verified by VKW

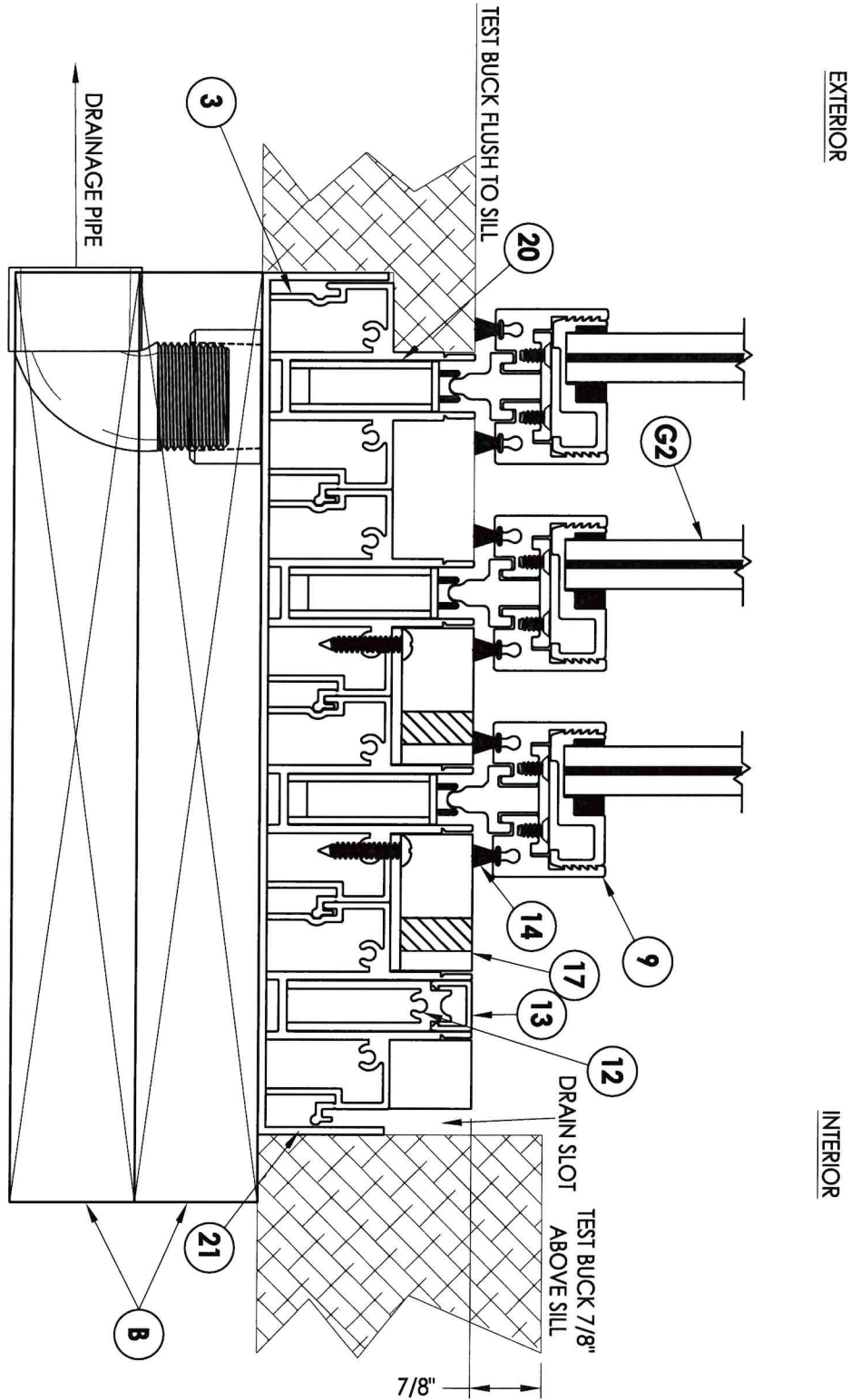
PRODUCT:		FLEETWOOD EDGE SLIDING GLASS DOOR	
PART OR ASSEMBLY:		VERTICAL CROSS SECTION	

NO.	DATE	BY

REVISIONS

RW BUILDING CONSULTANTS, INC.
 813.659.9197

DATE:	4/04/23
SCALE:	N.T.S.
DWG. BY:	LFS
CHK. BY:	RW
DRAWING NO.:	L-9826b
SHEET	5 of 9



EXTERIOR

INTERIOR

Testing Evaluation Laboratories Inc.
 Specimen Complies with Drawing
 Deviations Noted - TEL# 01993775
 Date 4/06/2023 Verified by VKW

1
6
VERTICAL CROSS SECTION

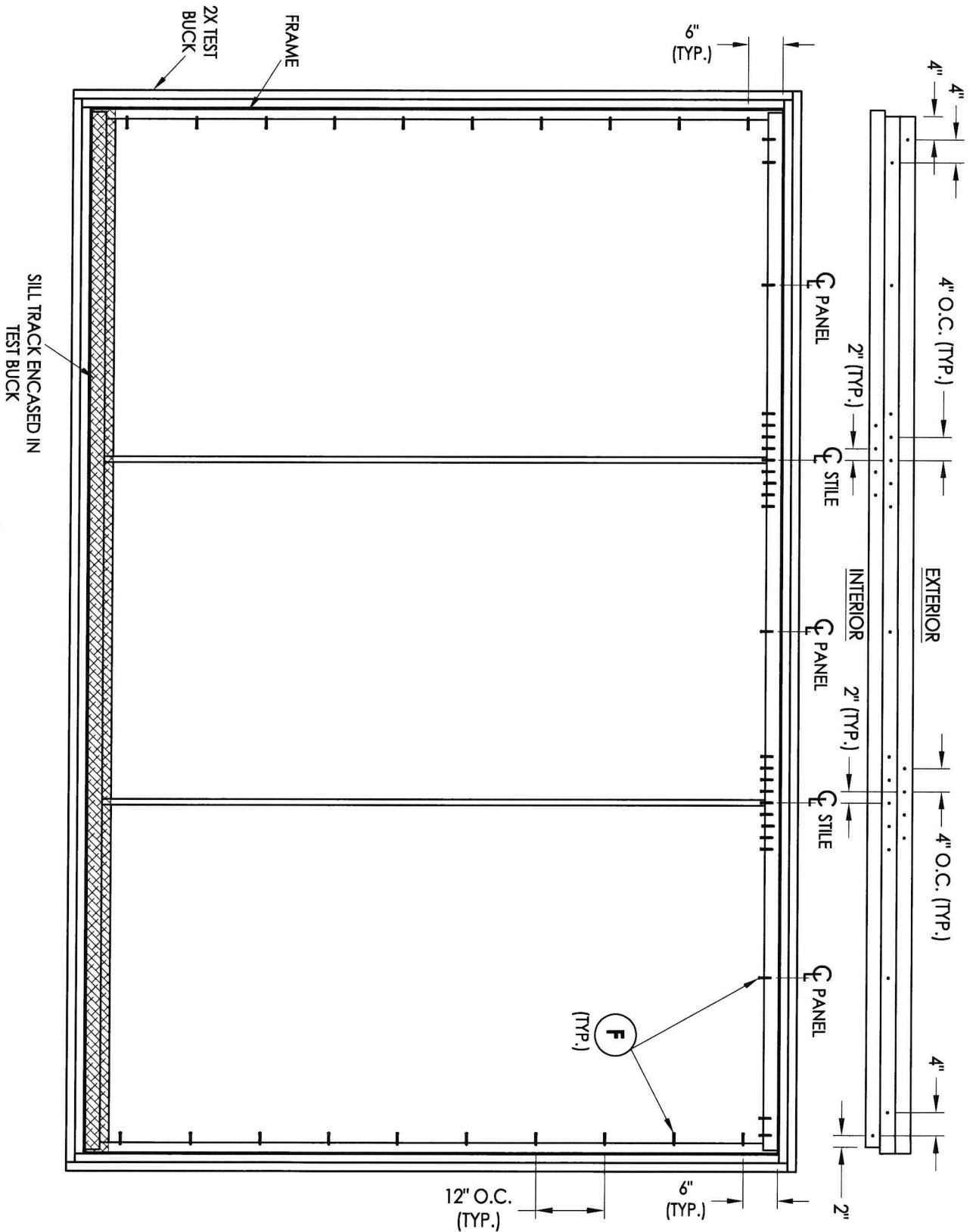
PRODUCT: FLEETWOOD
 EDGE SLIDING GLASS DOOR

PART OR ASSEMBLY:
 VERTICAL
 CROSS SECTION

NO.	DATE	REVISIONS	BY

RW BUILDING CONSULTANTS, INC.
 813.659.9197

DATE: 4/04/23
 SCALE: N.T.S.
 DWG. BY: LFS
 CHK. BY: RW
 DRAWING NO.: L-9826b
 SHEET 6 OF 9

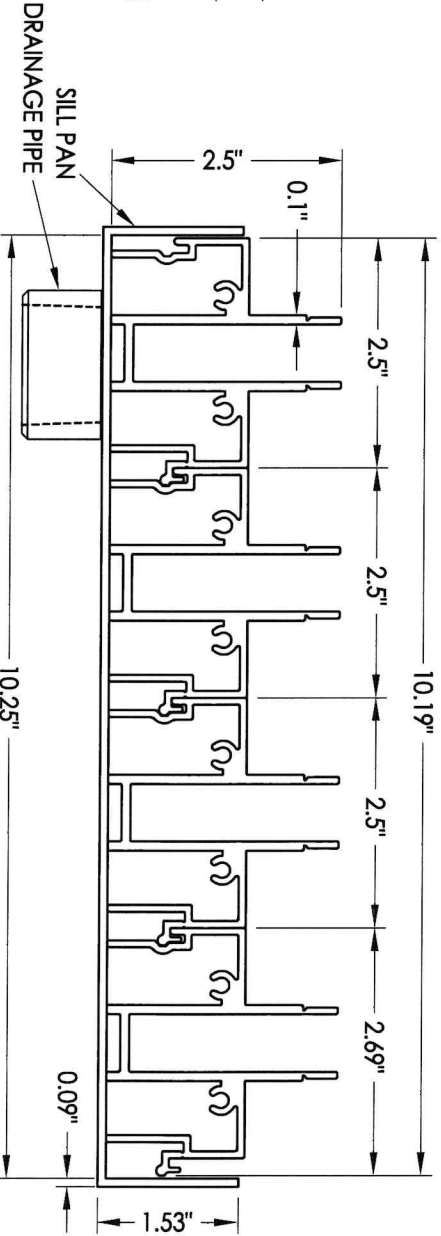
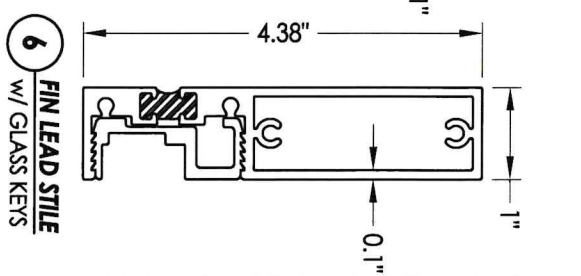
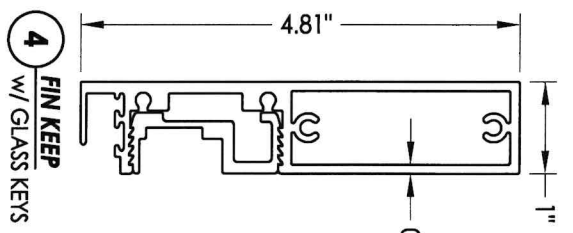
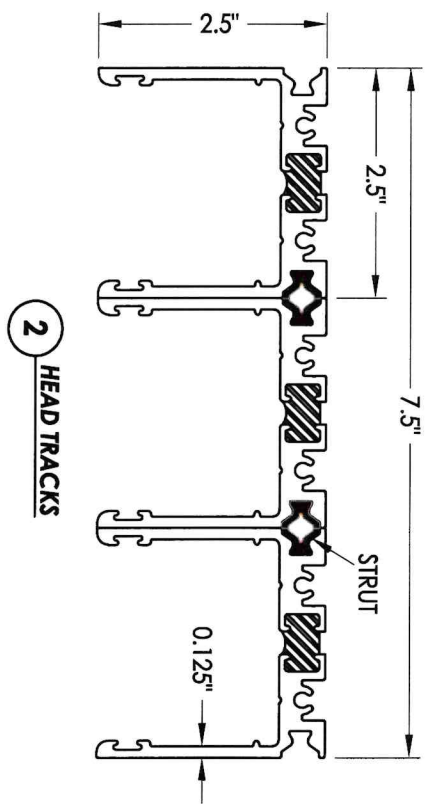
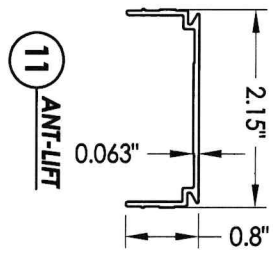
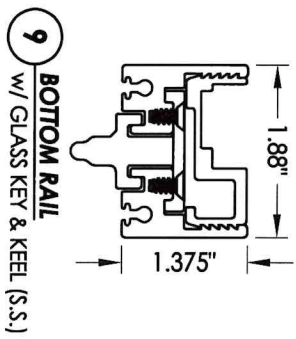
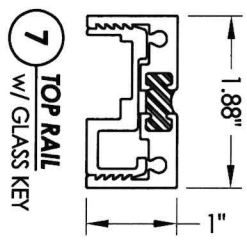
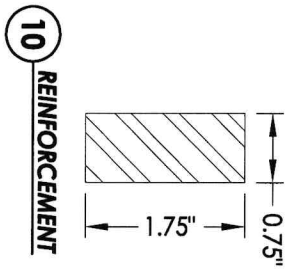
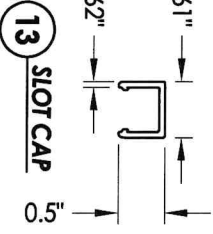
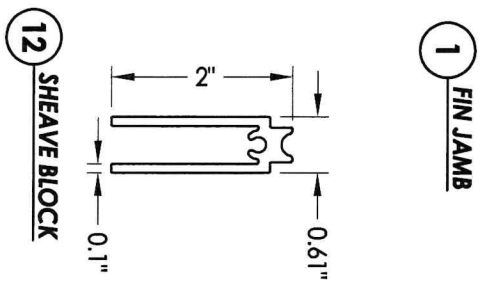
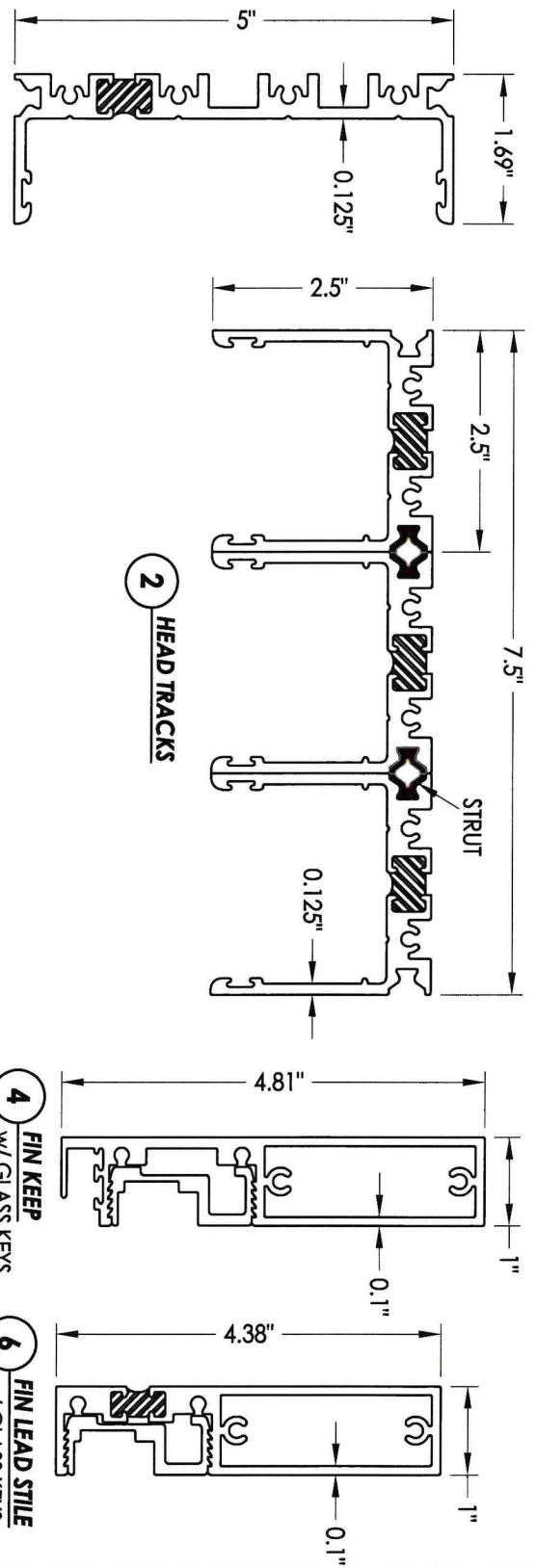


Testing Evaluation Laboratories Inc.
 Specimen Complies with Drawing
 Deviations Noted - TEL# 01993775
 Date 4/06/2023 Verified by VKW

FRAME ANCHORING
 2X TEST BUCK

DATE: 4/04/23 SCALE: N.T.S. DWG. BY: LFS CHK. BY: RW DRAWING NO.: L-9826b SHEET 7 OF 9		PRODUCT: FLEETWOOD EDGE SLIDING GLASS DOOR	
NO. DATE BY		PART OR ASSEMBLY: FRAME ANCHORING	
REVISIONS			

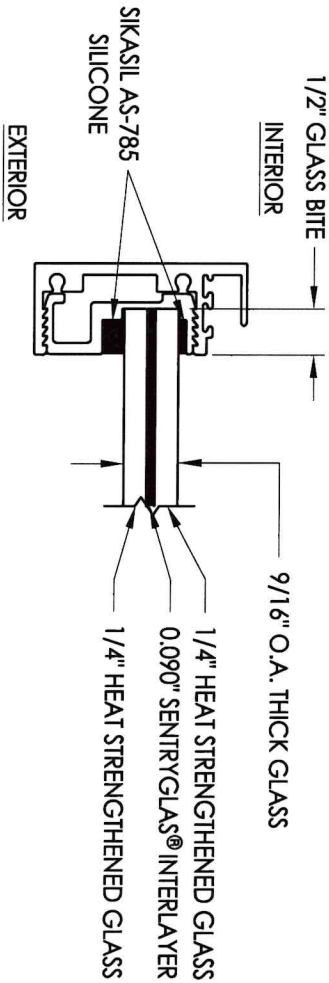




Testing Evaluation Laboratories Inc.
 Specimen Complies with Drawing
 Deviations Noted - TEL# 01993775
 Date 4/06/2023 Verified by VKW

DATE: 4/04/23		PRODUCT: FLEETWOOD EDGE SLIDING GLASS DOOR	
SCALE: N.T.S.		PART OR ASSEMBLY: COMPONENTS	
DWG. BY: LFS		NO.	
CHK. BY: RW		DATE	
DRAWING NO.: L-9826b		REVISIONS	
SHEET 8 OF 9		BY	

BILL OF MATERIALS		MATERIAL
ITEM #	DESCRIPTION	
B	2X TEST BUCK (G >= 0.42)	WOOD
C	1/4" MAX. SHIM SPACE	-
F	#10 X 2" FH WOOD SCREW	STEEL
1	FIN JAMB	6063-T6 ALUM
2	HEAD TRACKS	6063-T6 ALUM
3	SILL TRACKS	6063-T6 ALUM
4	FIN KEEP	6063-T6 ALUM
6	FIN LEAD STILE	6063-T6 ALUM
7	TOP RAIL	6063-T6 ALUM
9	BOTTOM RAIL	6063-T6 ALUM
10	REINFORCEMENT	6063-T6 ALUM
11	ANTI-LIFT	6063-T6 ALUM
12	SHEAVE BLOCK	6063-T6 ALUM
13	SLOT CAP	6063-T6 ALUM
14	MOHAIR WEATHERSTRIP	-
15	MOHAIR WEATHERSTRIP	-
16	BLADE LOCKING HARDWARE	-
17	BLADE CASE	-
18	MOHAIR WEATHERSTRIP	-
20	A4-E SHEAVE	-
21	SILL PAN	5052-ALUM



G2 GLAZING DETAIL

Testing Evaluation Laboratories Inc.
 Specimen Complies with Drawing
 Deviations Noted - TEI # 01993775
 Date 4/06/2023 Verified by VKW

PRODUCT: FLEETWOOD
 EDGE SLIDING GLASS DOOR

PART OR ASSEMBLY:
 BILL OF MATERIALS, COMPONENTS
 & GLAZING DETAILS

NO.	DATE	BY

R.W. BUILDING CONSULTANTS, INC.
 813.659.9197

DATE: 4/04/23
 SCALE: N.T.S.
 DWG. BY: LFS
 CHK. BY: RW
 DRAWING NO.: L-9826b
 SHEET 9 OF 9