

**IMPORTANT NOTES:**

- FLEETWOOD WILL NOT USE THESE DRAWINGS TO PRODUCE PRODUCT. THE DEALER IS SOLELY RESPONSIBLE TO MAKE SURE THE CONFIRMED ORDER TO THE FACTORY REFLECTS THE INFORMATION HEREIN.
- INSTALLATION:** THESE DRAWINGS ARE NOT INTENDED TO BE USED AS INSTALLATION INSTRUCTIONS. INSTALLATION INSTRUCTIONS ARE AVAILABLE ONLINE AT [WWW.FLEETWOODUSA.COM](http://WWW.FLEETWOODUSA.COM) UNDER EACH PRODUCT PAGE, OR BY REQUEST.
- FIELD TESTING:** ALL STRUCTURALLY LABELED FLEETWOOD DOORS AND WINDOWS WILL BE MANUFACTURED IN PRECISELY THE SAME MANNER AS THE APPROVED CERTIFIED TEST SPECIMEN. THERE IS NO OTHER SPECIFIC GUARANTEE REGARDING WEATHER PERFORMANCE OR FIELD TEST RESULTS. ANY FIELD TESTING PERFORMED MUST BE PER AAMA 502-90; TEST METHOD Δ, AND PERFORMED "IMMEDIATELY AFTER INSTALLATION" AS REQUIRED IN PARAGRAPH TWO OF "SHORT FORM FIELD TESTING SPECIFICATIONS" ON THE INSIDE COVER. FIELD TEST RESULTS WILL NOT BE CONSIDERED VALID UNLESS PERFORMED WITHIN FOUR (4) WEEKS OF SPECIMEN INSTALLATION. DUE TO UNCONTROLLABLE INSTALLATION AND TEST VARIABLES, EXPECT ONLY 75% OF LABORATORY PERFORMANCE RESULT IN TYPICAL FIELD INSTALLATION CONDITIONS. ANY FIELD TEST MUST COMPLY WITH FLEETWOOD'S FIELD TESTING PROCEDURE. THIS PROCEDURE IS AVAILABLE ONLINE AT [WWW.FLEETWOODUSA.COM](http://WWW.FLEETWOODUSA.COM) ON THE E-DEALER PAGE, OR BY REQUEST.
- CORNER SEALING:** BECAUSE OF THE POTENTIAL FOR SEALANT DISRUPTION DURING HANDLING AND ERECTION, THE INSTALLER IS RESPONSIBLE FOR ALL FRAME CORNER SEALS, WHETHER OR NOT THESE FRAMES WERE FACTORY ASSEMBLED.
- FRAME MULLIONS, TRANSOMS, & COMPENSATING CHANNELS:** FLEETWOOD RECOMMENDS STRUCTURAL ANCHORING OF ALL MULLIONS, TRANSOMS, AND COMPENSATING CHANNELS. THESE HAVE NOT BEEN TESTED FOR AIR, WATER, STRUCTURAL, OR WIND LOAD PERFORMANCE. PRODUCTS ORDERED WITH NAIL-FIN FRAMES WILL REQUIRE THE REMOVAL OF THE NAIL FIN IN THE FIELD BY THE INSTALLER WHERE BLOCK FRAMES ARE REQUIRED. BLOCK FRAMES ARE REQUIRED AT THE JAMBS OF I-MULLED PRODUCTS, THE SILL OF I-MULLED PRODUCTS, AND THE HEAD AND SILL OF STACKED/TRANSOM PRODUCTS. DEAD LOAD FROM FIELD STACKING NEEDS TO BE CONFIRMED WITH A STRUCTURAL ENGINEER.
- HARDWARE:** MANUFACTURER'S STANDARD
- WARRANTY:** ALL INVOLVED PARTIES SHOULD REVIEW THE WARRANTY, AND THE TERMS AND CONDITIONS BY WHICH THE JOB WILL BE PROCESSED. A COPY CAN BE REVIEWED ON THE WEBSITE OR BY CONTACTING THE FACTORY DIRECTLY.
- WINDOW AND DOOR ELEVATIONS:** DO NOT SCALE THE WINDOW AND DOOR ELEVATION DRAWINGS. USE ONLY THE DIMENSIONS PROVIDED ON THE ELEVATIONS FOR REFERENCE. THE INTENT OF THE ELEVATIONS ARE TO SHOW THE OVERALL NET FRAME SIZES AND DEPICT PRODUCT CONFIGURATION. PLEASE CONTACT THE FACTORY WHEN CRITICAL DIMENSIONS, SUCH AS INTERLOCKER CENTERLINES, ARE REQUIRED.

**GENERAL NOTES**

- ELEVATIONS ARE SHOWN FROM EXTERIOR UNLESS OTHERWISE NOTED
- ANCHOR / WALL FASTENER - LOCATION, SPACING AND QUANTITY TO BE DETERMINED PER DESIGN PRESSURE REQUIREMENTS BY STRUCTURAL ENGINEER AND/OR CERTIFIED TEST DRAWINGS
- THE FOLLOWING TABLES ARE THIS JOB'S SPECIFIC SERIES DEFAULT OPTIONS UNLESS NOTED ON AN ELEVATION.
- INITIAL RELEASE PER QUOTE

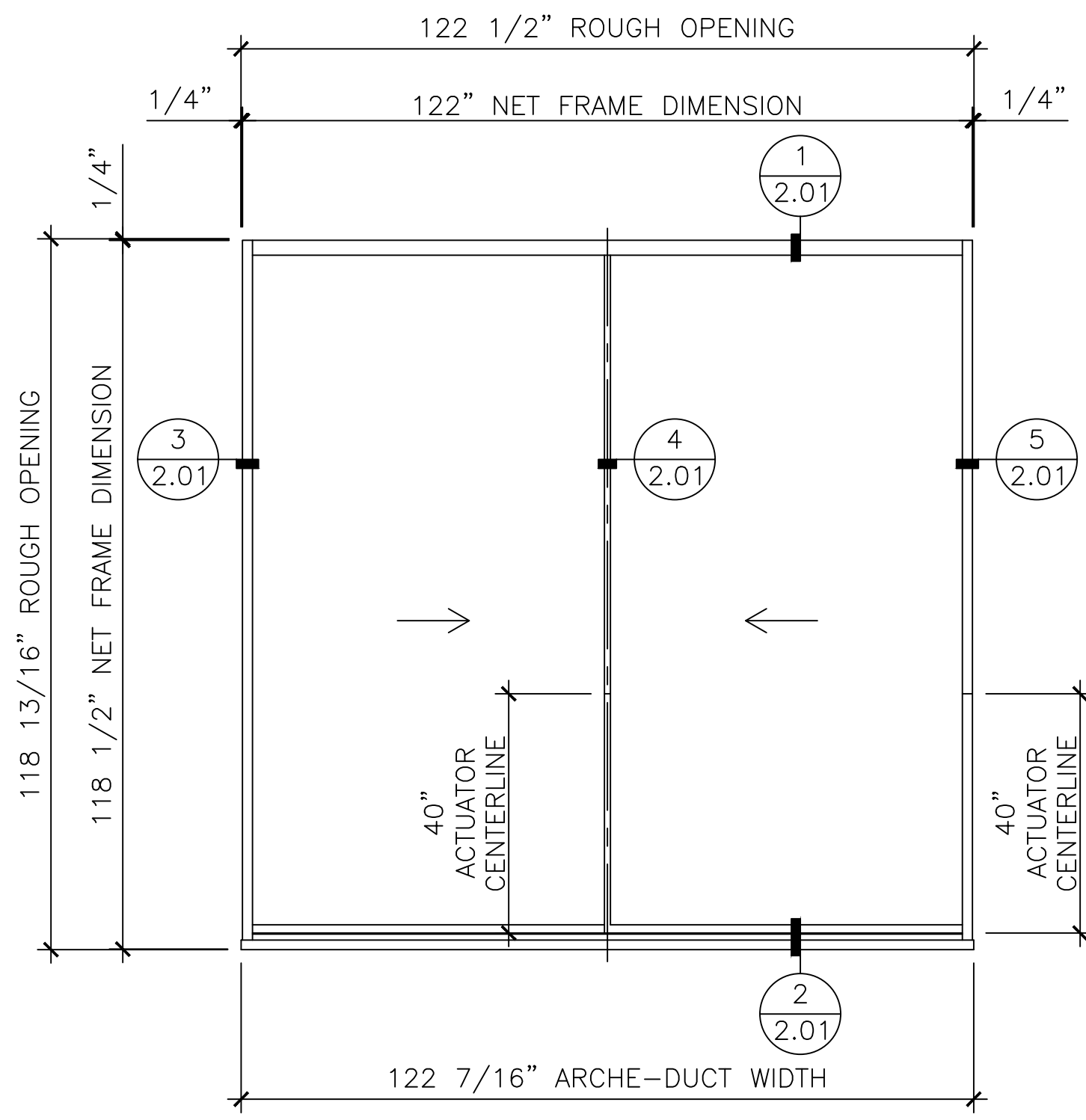
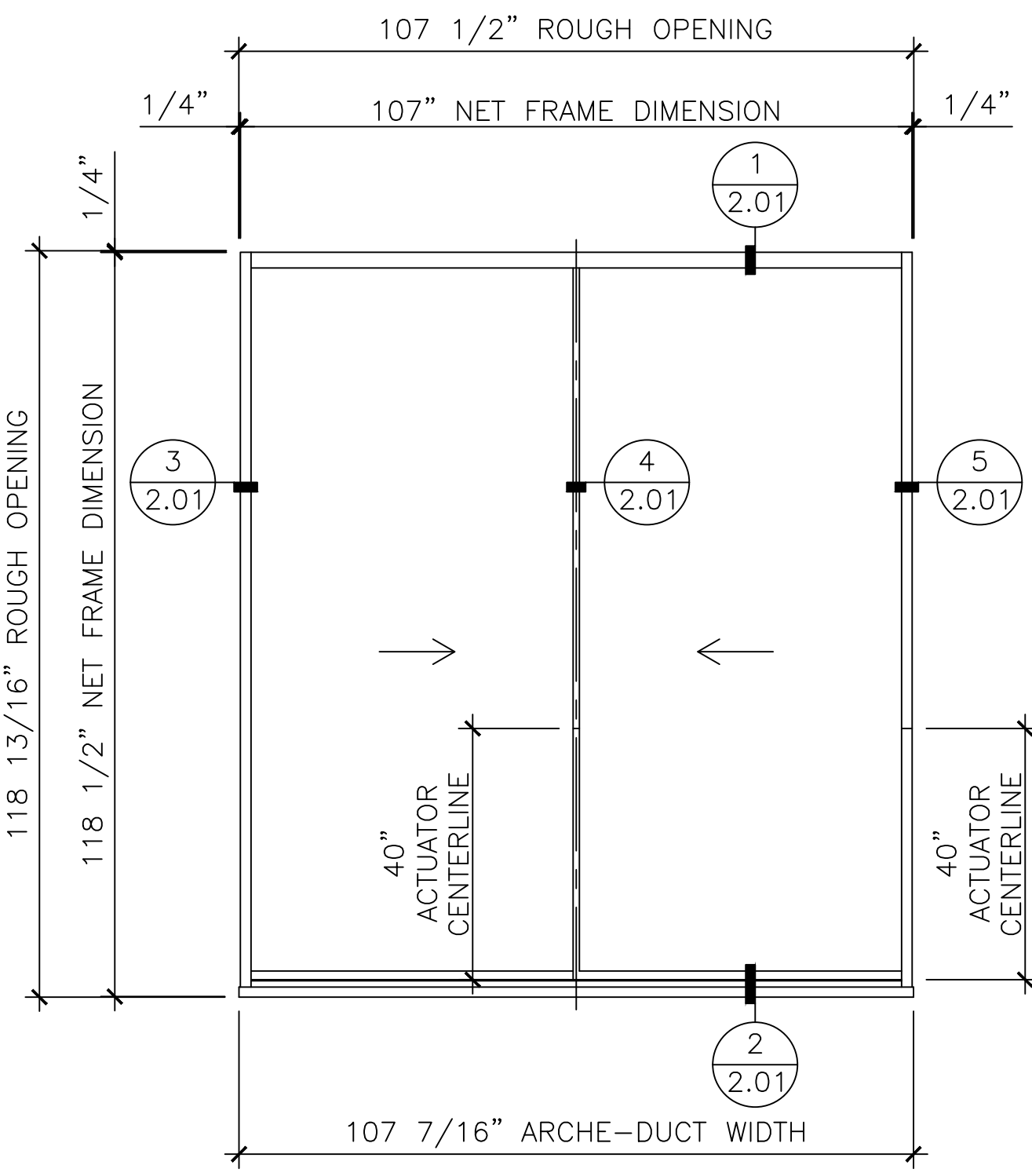
**EDGE |s|**

PRODUCT DESCRIPTION:	SLIDING DOOR
FINISH:	CLASS 1, BLACK ANODIZED
HARDWARE:	BLACK PAINTED STAINLESS STEEL
GLASS:	1.25" CLEAR CARDINAL 366 6MM-T, 0.75 ARGON, CLEAR 6MM-T (GLAZED)
FRAME:	BLOCK (FIELD ASSEMBLED)
ACTUATOR HEIGHT:	40" (FROM BOTTOM OF PANEL)
ARCHE-DUCT:	OPT-E2:(1/2" SIDE DRAIN-EXT)
DRAIN FROM EDGE:	0"
DRAIN SPACING:	CENTER DRAIN (3 DRAINS TOTAL)
FIN PULL:	NO (OPT-A)
HEAD:	FULL TRACKS (NON-STAGGERED)
KEEL SHEAVE:	(A4-E),(A1-E)
KEEPS:	FIN-BOTH (OPT-D)
O-PANEL TYPE:	PANELIZED (OPT-A)
POCKET KEEP:	STANDARD
POCKET TYPE:	OPEN (SEE DRAWING)
POCKET WALL KEEP:	2 PIECE (STD)
SILL:	(SFD-E)-NON-STAGGERED

**REVISION-2 NOTES**

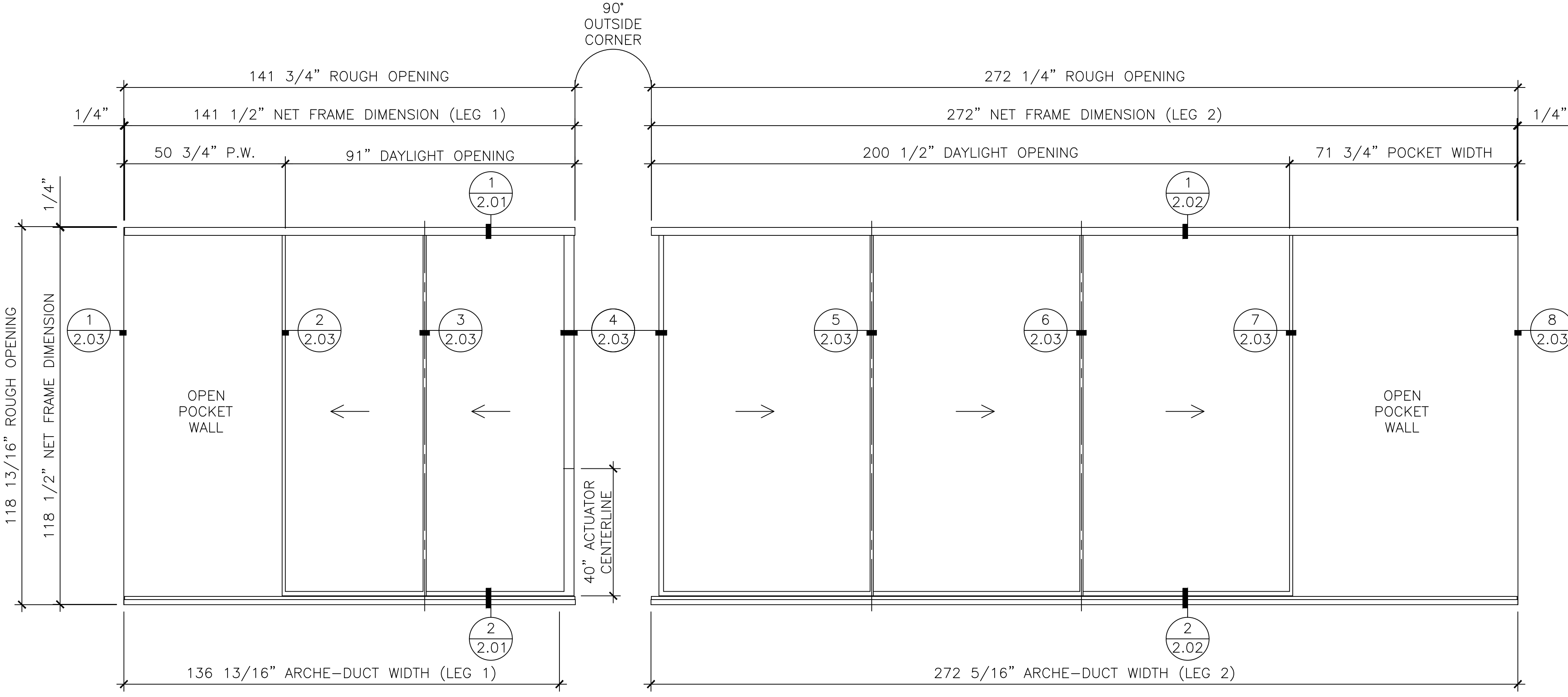
- REGARDING (D3), STAGGERED TRACKS MAY OFFSET FRAME/WALL CONDITION. HEAD/SILL SECTION VIEWS SHOW MAXIMUM FRAME DEPTH.
- REGARDING (D3), PER CUSTOMER PROVIDED SKETCH PANELS WIDTHS ADJUSTED TO ACCOMMODATE CONFIGURATION CHANGES. POCKET WIDTHS AND NET FRAME DIMENSIONS ADJUSTED TO ACCOMMODATE NEW PANEL SIZES HELD DAYLIGHT OPENINGS PER INITIAL RELEASE SKETCH (REV-0), REFERENCE DETAILS 9/2.03 AND 10/2.03. CUSTOMER TO VERIFY.
- REGARDING (D3), SPECIAL NOTE REQUIRED: SPECIAL-CUSTOM FIN KEEPS (SEE DRAWING)
- REGARDING (D3) SPECIAL NOTE REQUIRED: SPECIAL-POCKET FIN KEEP (RIGHT LEG ONLY) (SEE DRAWING). DUE TO FLEETWOOD PRODUCT CONSTRAINTS, FLEETWOOD IS UNABLE TO ACHIEVE POCKET FIN DEPICTION IN CUSTOMER SKETCH "ALTERNATIVE ONE". REFERENCE DETAIL 7/2.03 SHOWN DEPICTS WHAT CAN BE ACHIEVED.
- REGARDING (D3), SPECIAL NOTE REQUIRED: SPECIAL-90° CORNER FIN KEEP W/ BLADE

FOR ILLUSTRATION ONLY



**D1 (1) ONE REQ'D THUS**  
 EDGE |s| XX  
 ROOM REF.: D15  
 FIN PULL: YES-FIN LEAD STILE (ROOM SIDE ONLY)(OPT-B)  
 LEAD PANEL LEFT: SINGLE STILE (OPT-A)  
 LEAD PANEL RIGHT: FIN STILE-INT W/ BLADE (OPT-D)  
 SHEAVE COVER: BLACK S.S.  
 SHEAVE WHEEL: BLACK S.S.  
 STACKS TO: THE EXTERIOR (OF THE LEFT PANEL)

**D2 (1) ONE REQ'D THUS**  
 EDGE |s| XX  
 ROOM REF.: D19  
 DRAIN SPACING: 36"  
 FIN PULL: YES-FIN LEAD STILE (ROOM SIDE ONLY)(OPT-B)  
 LEAD PANEL LEFT: SINGLE STILE (OPT-A)  
 LEAD PANEL RIGHT: FIN STILE-INT W/ BLADE (OPT-D)  
 SHEAVE COVER: BLACK S.S.  
 SHEAVE WHEEL: BLACK S.S.  
 STACKS TO: THE EXTERIOR (OF THE LEFT PANEL)



**D3 (1) ONE REQ'D THUS**  
 EDGE |s| PXXVXXXP  
 ROOM REF.: D17/16 CAN I DO NON STAGGERED?  
 ACTIVE SIDE: LEFT (DEFAULT)  
 DRAIN SPACING: 60"  
 POCKET CLOSER: YES  
 REVERSE KEEPS: BLADE IN FIN-KEEP(S), INT/EXT STACK (OPT-B)  
 REVERSE KEEPS CORNER: WITH FIN (OPT-B)  
 SHEAVE COVER: BLACK S.S.  
 SHEAVE WHEEL: BLACK S.S.  
 STACKS TO: THE INTERIOR (OF THE LEFT PANEL)  
 HEAD: STANDARD (STAGGERED)  
 SILL: (SFD-E)-STAGGERED

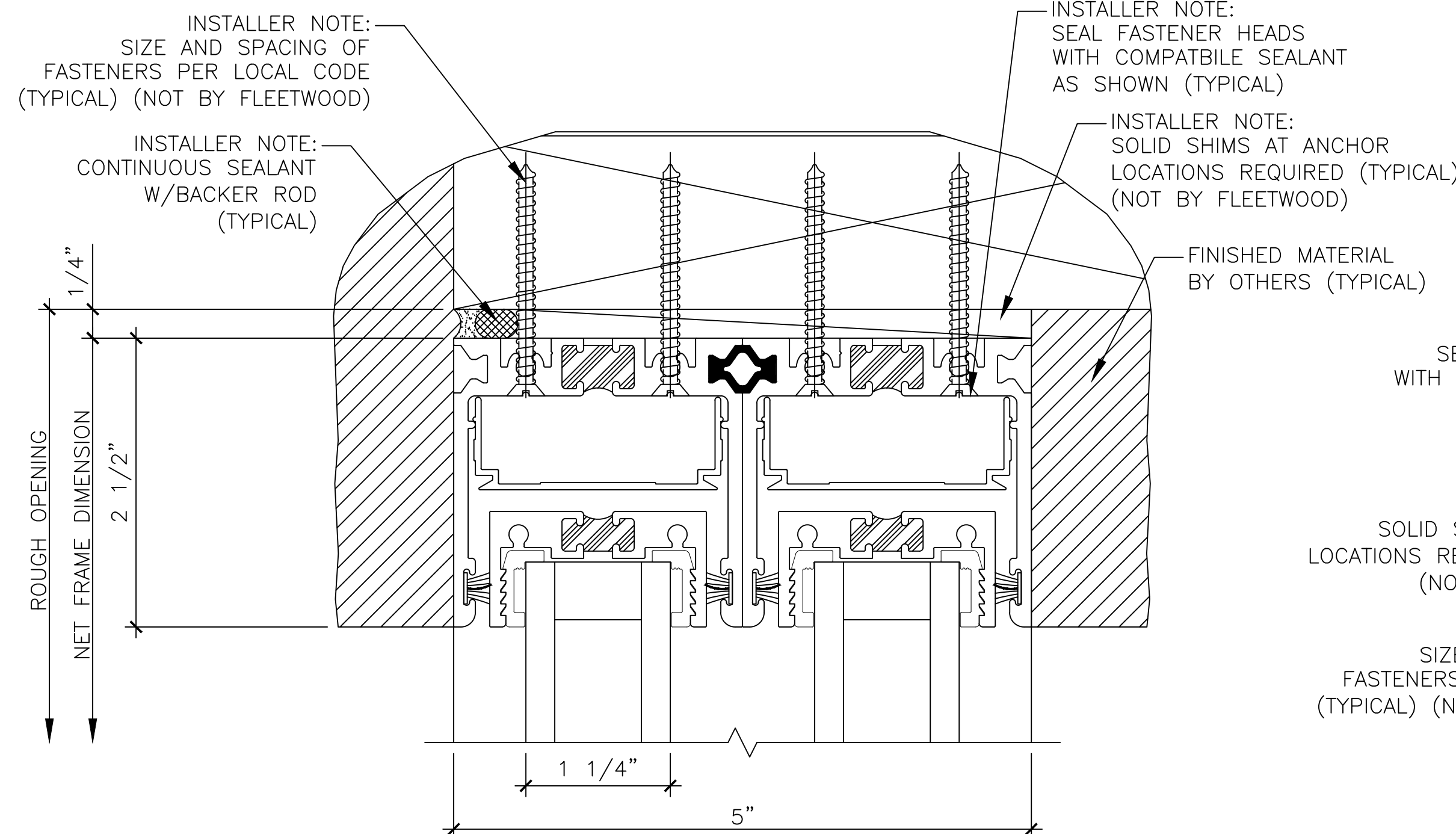
NOTES:  
 1. REFERENCE DETAIL(S) 9/2.03 AND 10/2.03 FOR OPEN POSITION(S)  
 2. SPECIAL-CUSTOM FIN KEEPS (SEE DRAWING)  
 3. SPECIAL-POCKET FIN KEEP (RIGHT LEG ONLY) (SEE DRAWING)  
 4. SPECIAL-90° CORNER FIN KEEP W/ BLADE

COMMENTS	
DRAWN BY	
DATE	
REVISIONS	
DATE:	
DRAWN BY:	
EDGE  s	
MATERIAL:	
CUSTOMER:	
JOB NUMBER:	
JOB NAME:	

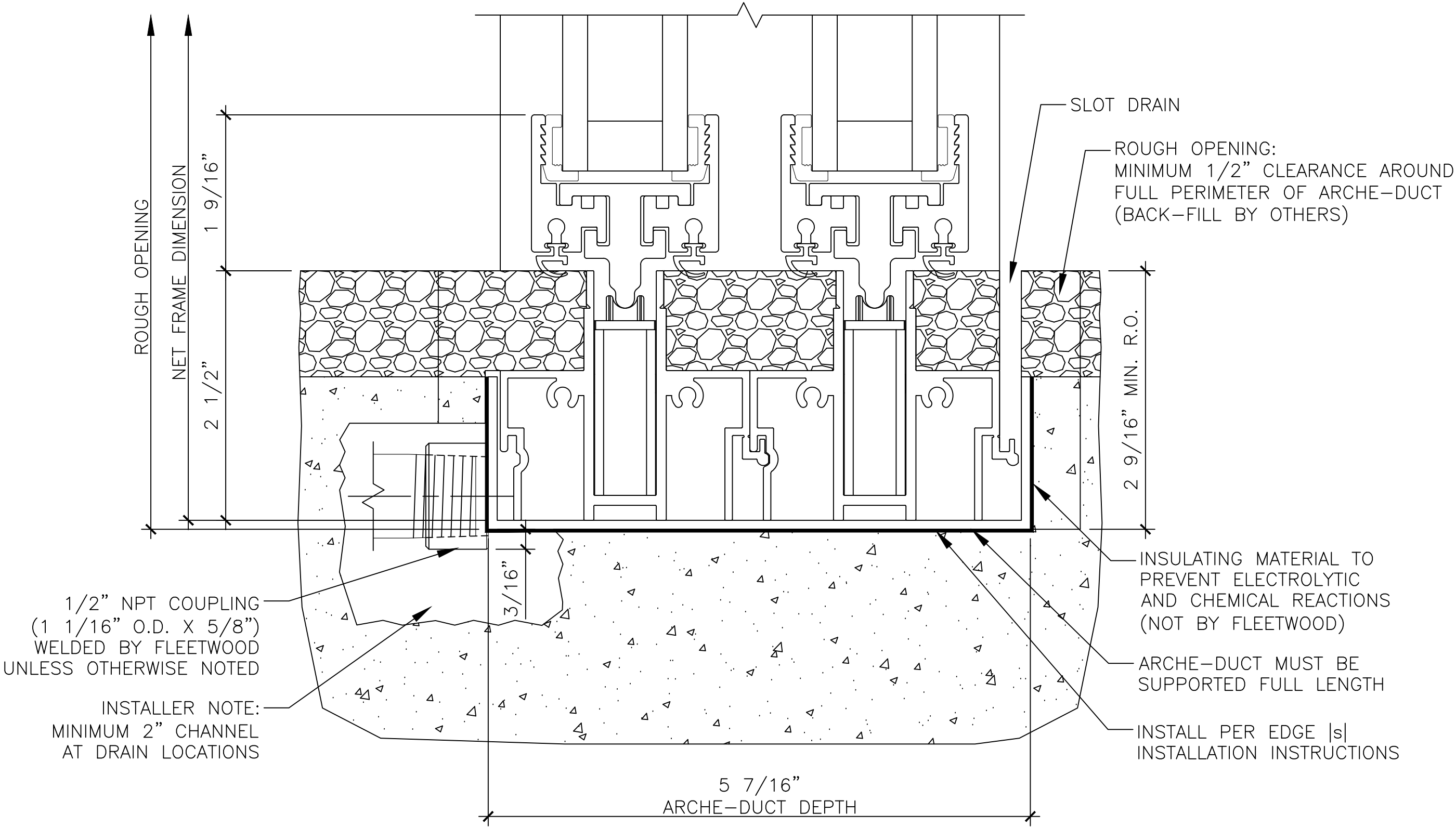
1 FLEETWOOD WAY  
 CORONA, CA 92879  
 www.fleetwoodusa.com

**FLEETWOOD**  
 W I N D O W S & D O O R S

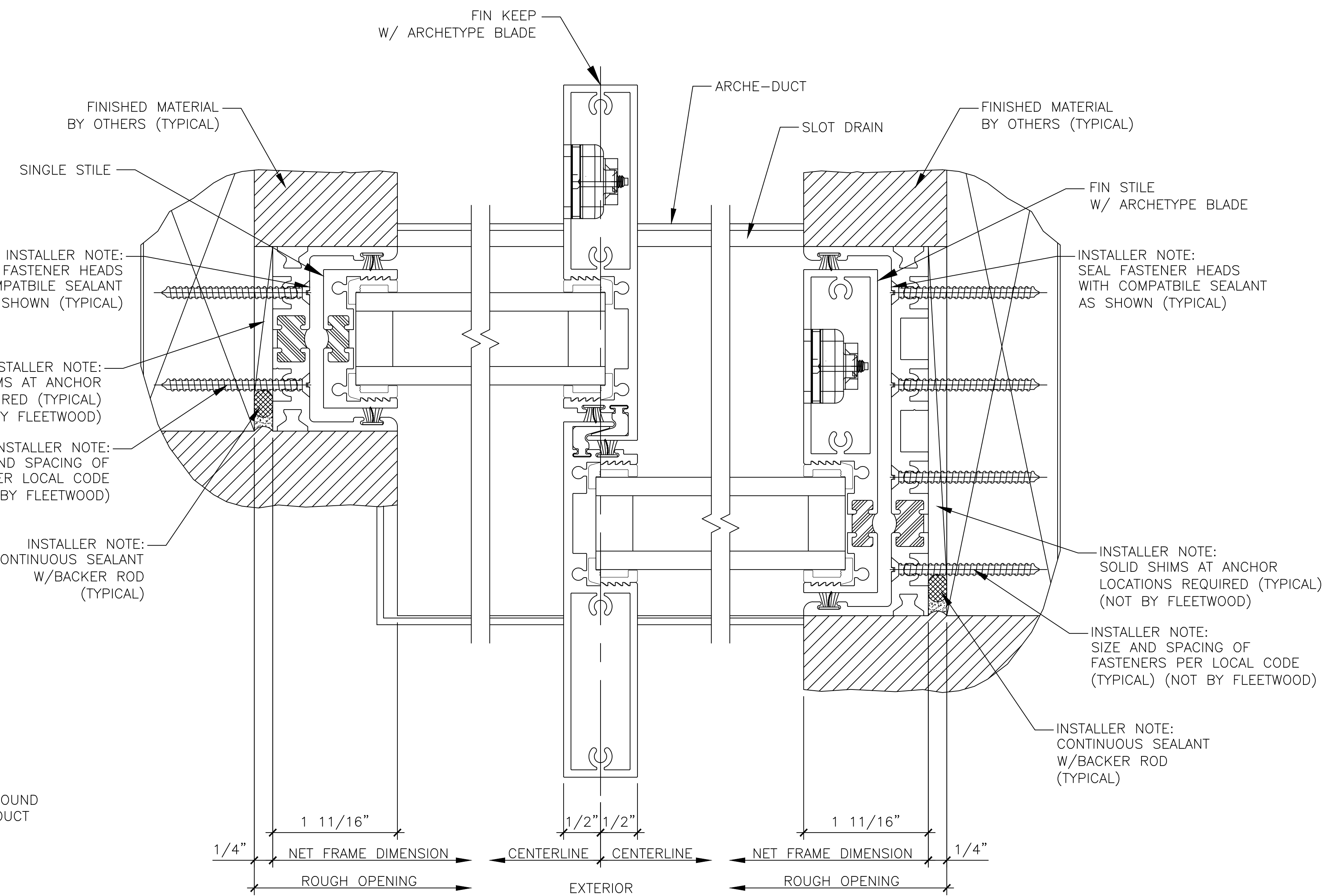
SCALE : 1/2" = 1'  
 DRAWING NO. : 1.01  
 SHEET : 1 OF 4



1 EDGE |s| HEAD  
SCALE: 1'-0"=1'-0"



2 EDGE |s| SILL  
SCALE: 1'-0"=1'-0"



3 EDGE |s| JAMB  
SCALE: 1'-0"=1'-0"

4 EDGE |s| KEEPS  
SCALE: 1'-0"=1'-0"

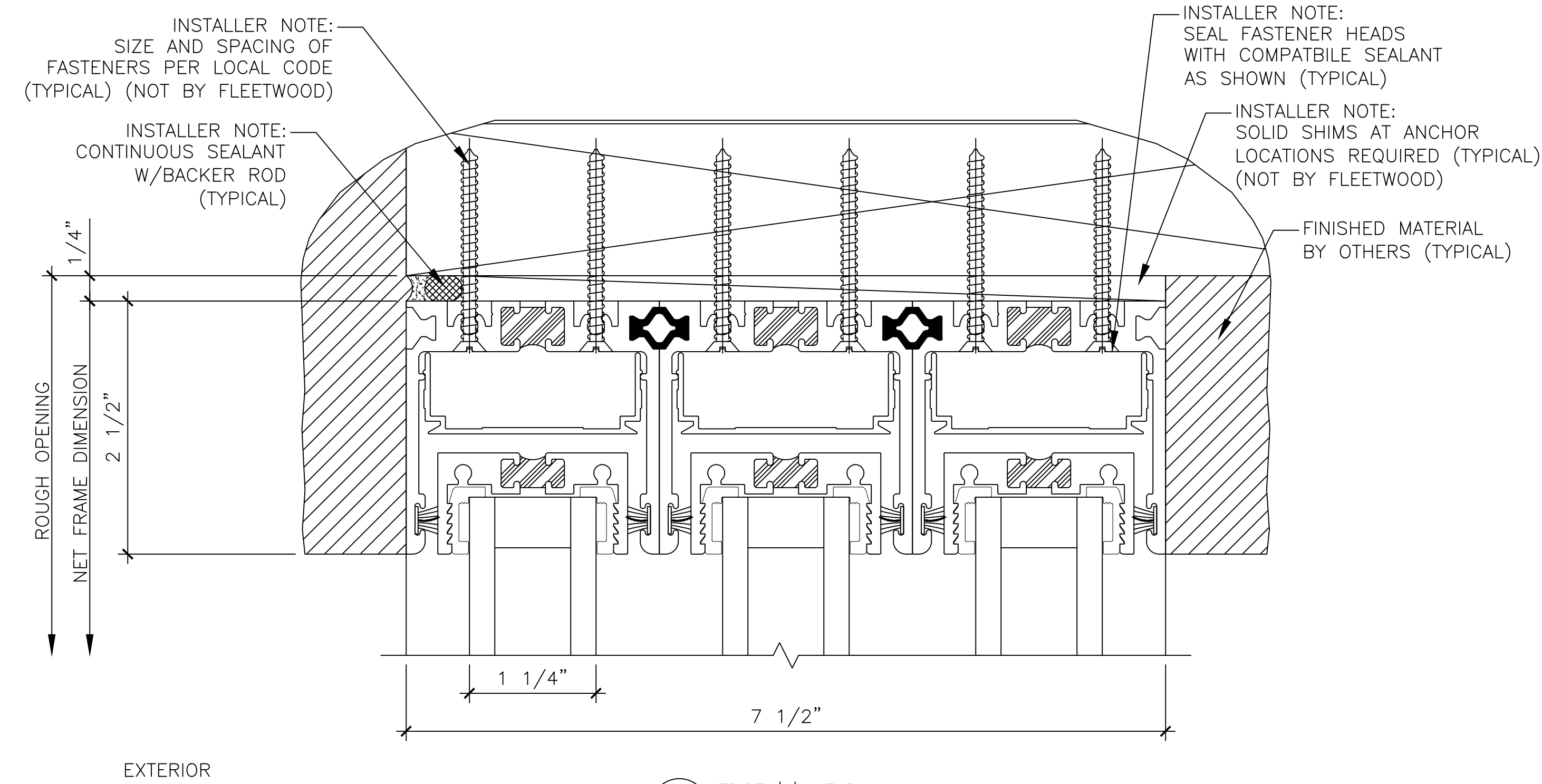
5 EDGE |s| JAMB  
SCALE: 1'-0"=1'-0"

COMMENTS	DRAWN BY	DATE	REVISIONS	DATE	JOB NUMBER:

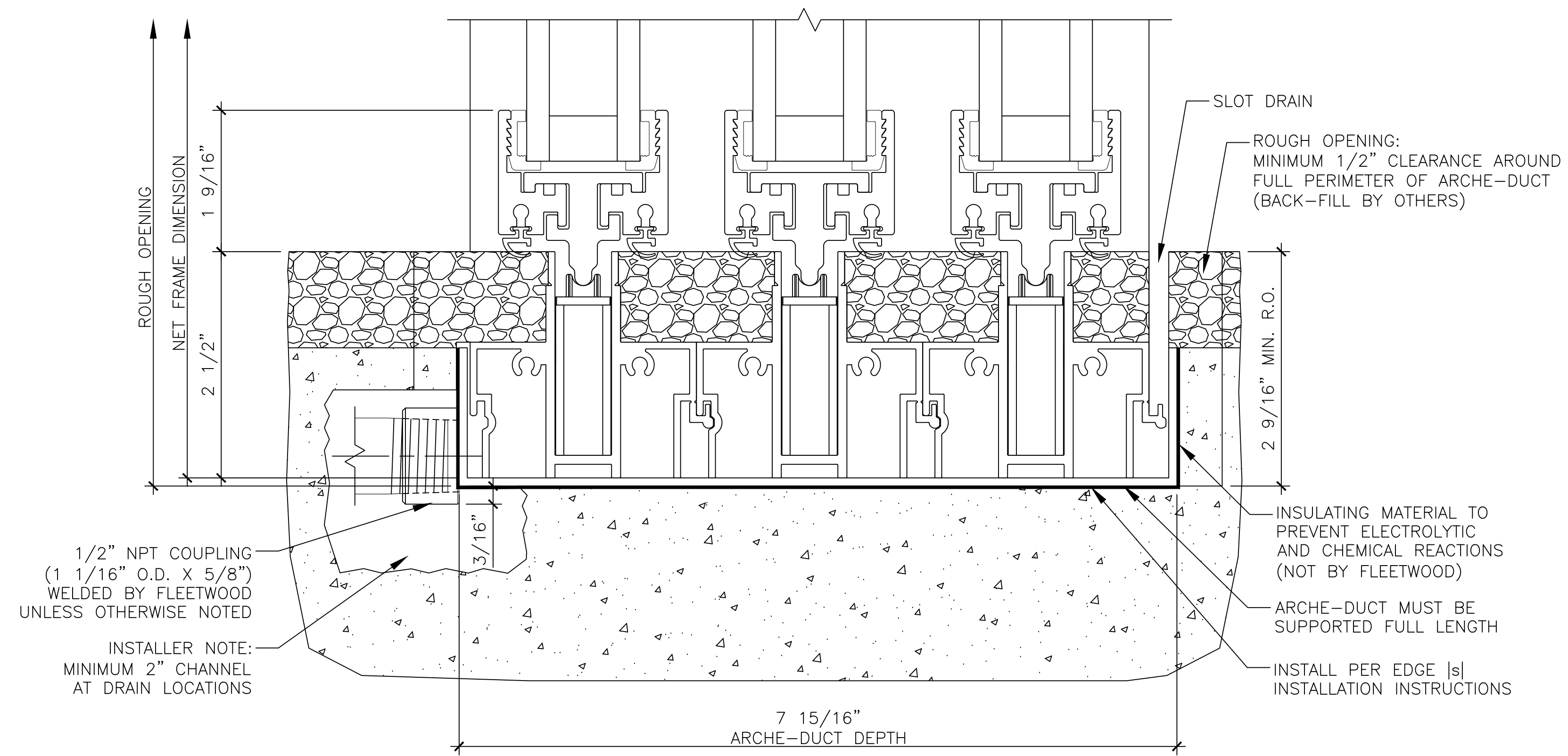
MATERIAL: EDGE |s|  
CUSTOMER: JOB NAME:

1 FLEETWOOD WAY  
CORONA, CA 92879  
www.fleetwoodusa.com

**FLEETWOOD**  
WINDOWS & DOORS



1 EDGE |s| HEAD  
SCALE: 1'-0"=1'-0"



2 EDGE |s| SILL  
SCALE: 1'-0"=1'-0"

COMMENTS	
DRAWN BY	
DATE	
REVISIONS	
DATE	
DRAWN BY	
JOB NUMBER	
MATERIAL: EDGE  s	
CUSTOMER:	
JOB NAME:	

1 FLEETWOOD WAY  
CORONA, CA 92879  
www.fleetwoodusa.com

**FLEETWOOD**  
WINDOWS & DOORS

SCALE :  
1' = 1'

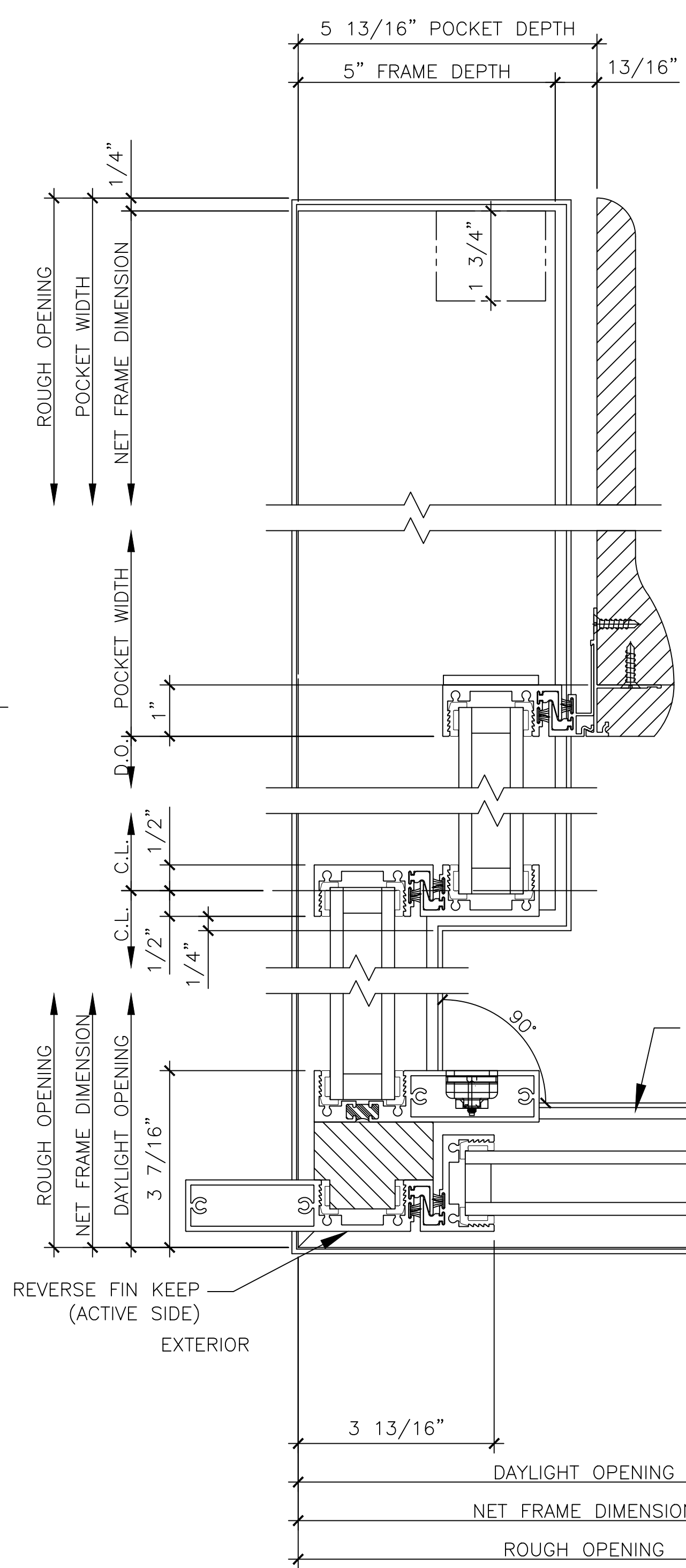
DRAWING NO. :  
**2.02**

SHEET :  
3 OF 4

1 EDGE |s| POCKET JAMB  
SCALE: 6"=1'-0"

2 EDGE |s| POCKET KEEP  
SCALE: 6"=1'-0"

3 EDGE |s| KEEPS  
SCALE: 6"=1'-0"



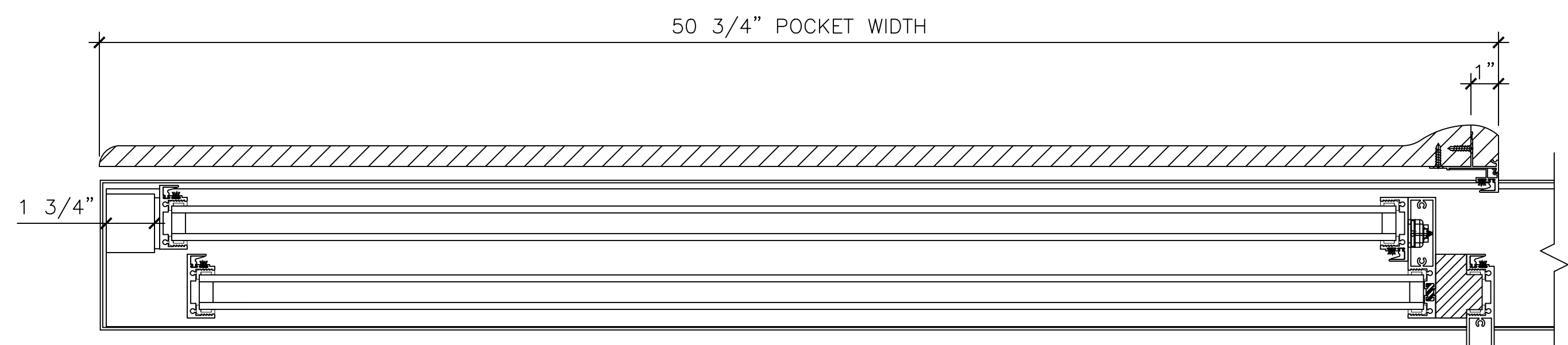
4 EDGE |s| 90° CORNER KEEPS  
SCALE: 6"=1'-0"

5 EDGE |s| KEEPS  
SCALE: 6"=1'-0"

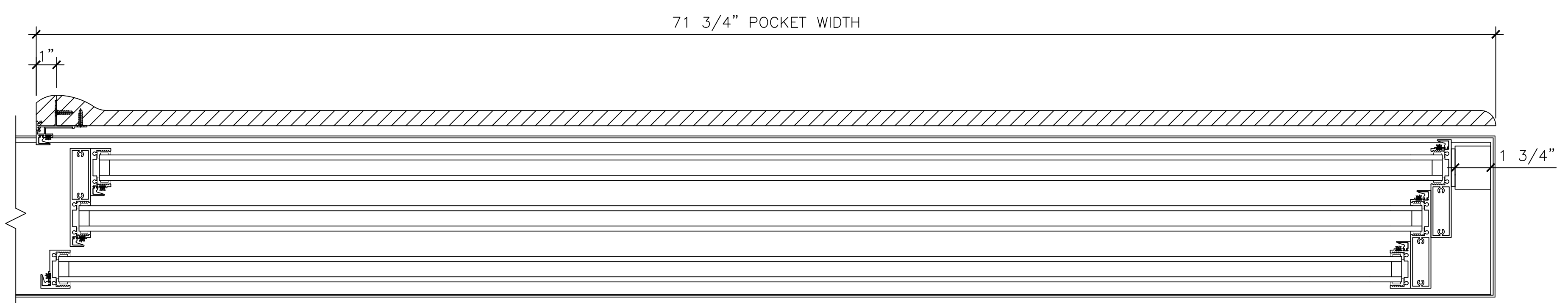
6 EDGE |s| KEEPS  
SCALE: 6"=1'-0"

7 EDGE |s| POCKET KEEP  
SCALE: 6"=1'-0"

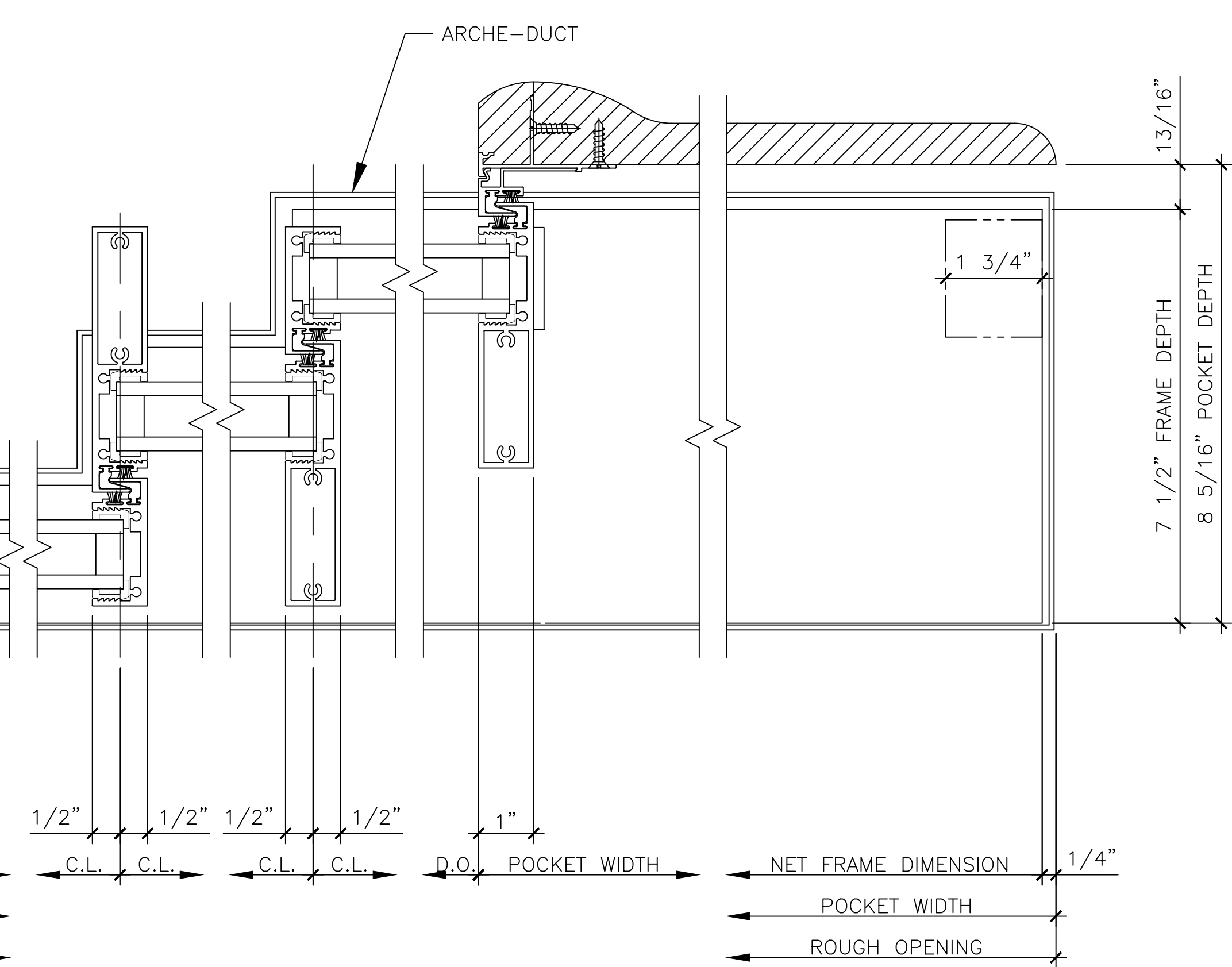
8 EDGE |s| POCKET JAMB  
SCALE: 6"=1'-0"



9 EDGE |s| OPEN POSITION (LEG 1)  
SCALE: 3"=1'-0"



10 EDGE |s| OPEN POSITION (LEG 2)  
SCALE: 3"=1'-0"



REVISION-2 NOTES	
1.	REGARDING (D3), STAGGERED TRACKS MAY OFFSET FRAME/WALL CONDITION. HEAD/SILL SECTION VIEWS SHOW MAXIMUM FRAME DEPTH.
2.	REGARDING (D3), PER CUSTOMER PROVIDED SKETCH PANELS WIDTHS ADJUSTED TO ACCOMMODATE CONFIGURATION CHANGES. POCKET WIDTHS AND NET FRAME DIMENSIONS ADJUSTED TO ACCOMMODATE NEW PANEL SIZES HELD DAYLIGHT OPENINGS PER INITIAL RELEASE SKETCH (REV-0), REFERENCE DETAILS 9/2.03 AND 10/2.03. CUSTOMER TO VERIFY.
3.	REGARDING (D3), SPECIAL NOTE REQUIRED: SPECIAL-CUSTOM FIN KEEPS (SEE DRAWING)
4.	REGARDING (D3), SPECIAL NOTE REQUIRED: SPECIAL-POCKET FIN KEEP (RIGHT LEG ONLY) (SEE DRAWING). DUE TO FLEETWOOD PRODUCT CONSTRAINTS, FLEETWOOD IS UNABLE TO ACHIEVE POCKET FIN DEPICTION IN CUSTOMER SKETCH "ALTERNATIVE ONE". REFERENCE DETAIL 7/2.03 SHOWN DEPICTS WHAT CAN BE ACHIEVED.
5.	REGARDING (D3), SPECIAL NOTE REQUIRED: SPECIAL-90° CORNER FIN KEEP W/ BLADE

COMMENTS	
DRAWN BY	
DATE	
REVISIONS	
DATE:	
DRAWN BY:	JOB NUMBER:
MATERIAL: EDGE  s	CUSTOMER: www.fleetwoodusa.com
<p>1 FLEETWOOD WAY CORONA, CA 92879 www.fleetwoodusa.com</p> <p><b>FLEETWOOD</b> WINDOWS &amp; DOORS</p>	
SCALE :	6" = 1"
DRAWING NO. :	2.03
SHEET :	4 OF 4