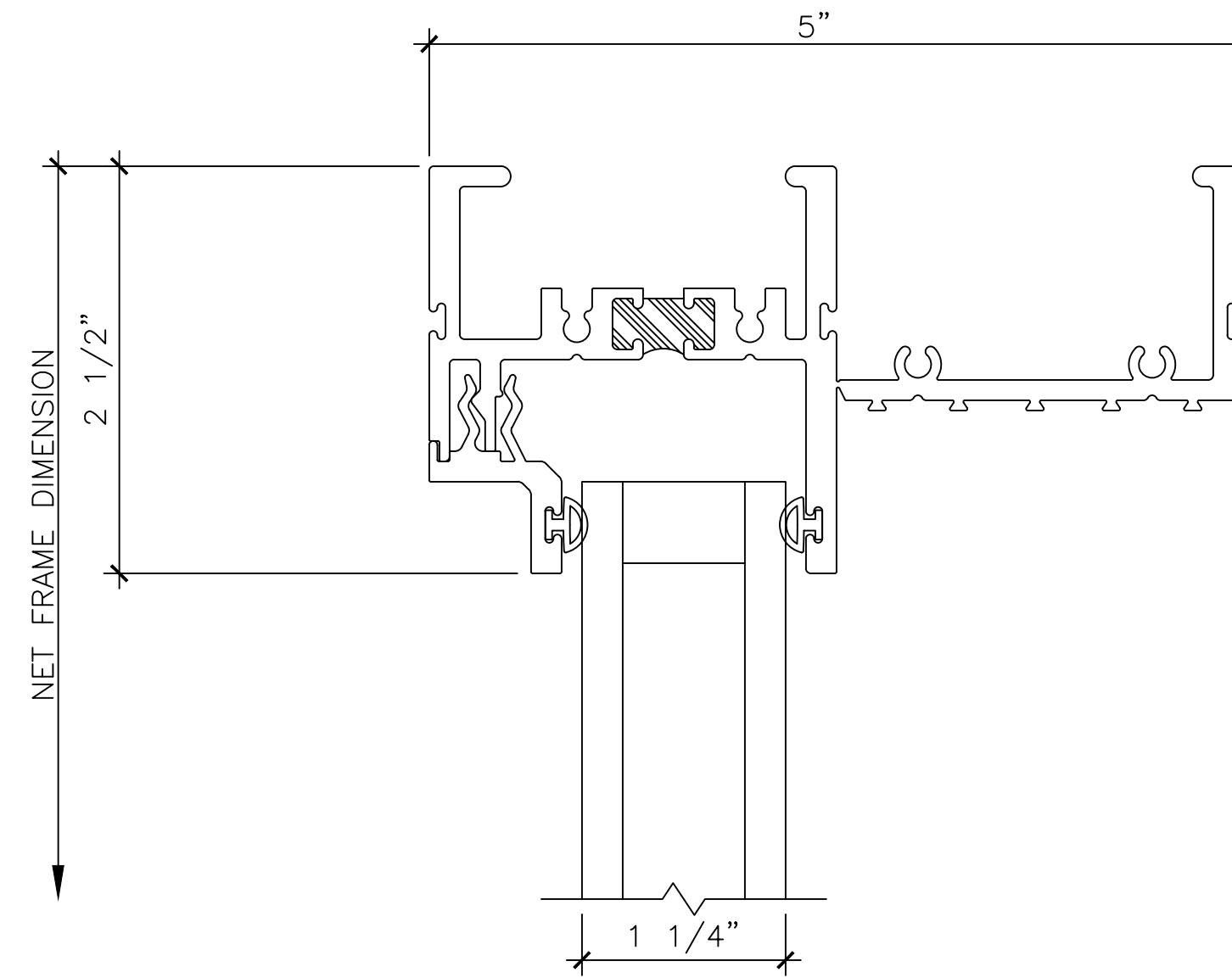


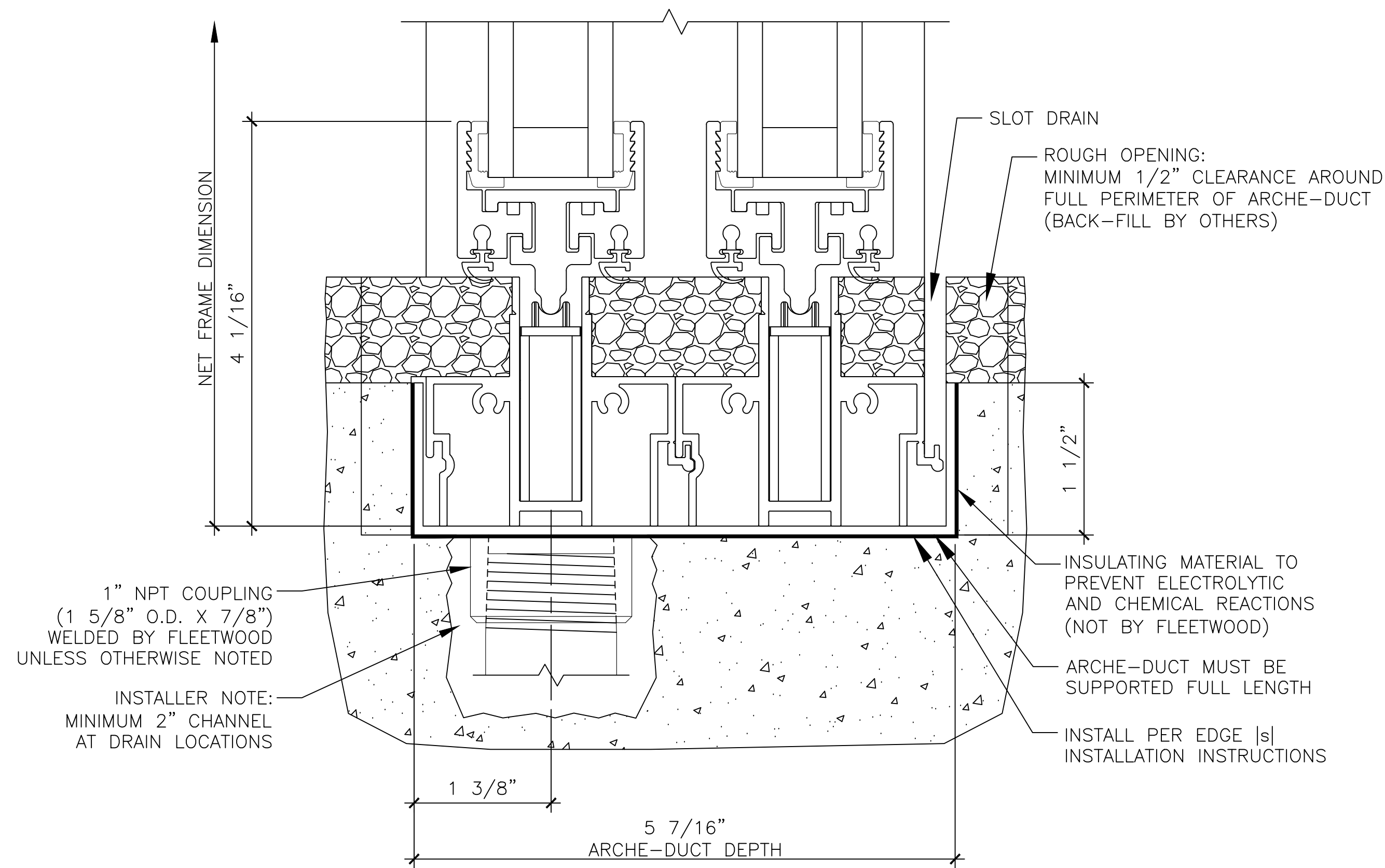
EXTERIOR

1 EDGE [s] HEAD
SCALE: 1'-0"=1'-0"

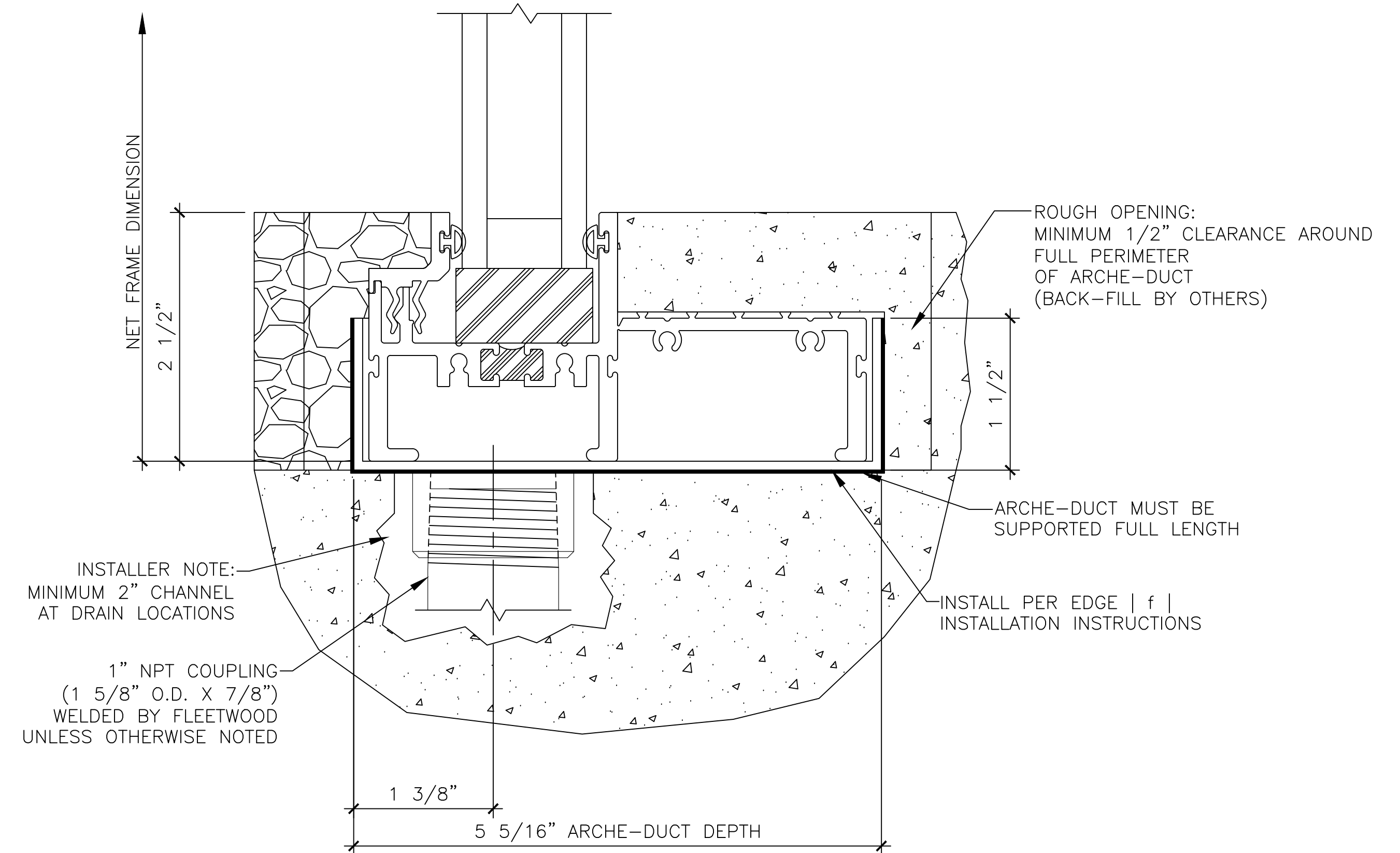


EXTERIOR

3 EDGE [f] STANDARD HEAD
SCALE: 1'-0"=1'-0"



2 EDGE [s] SILL
SCALE: 1'-0"=1'-0"

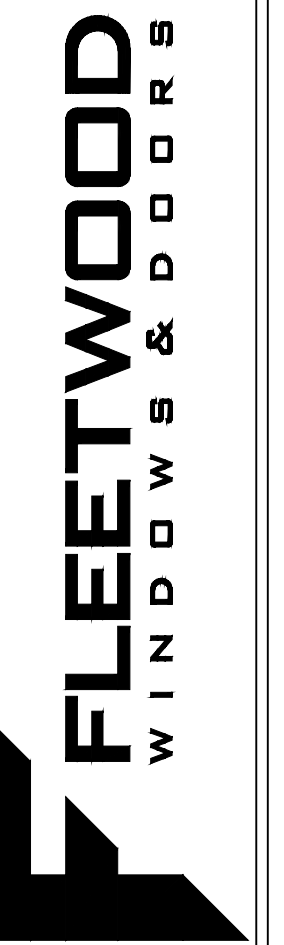


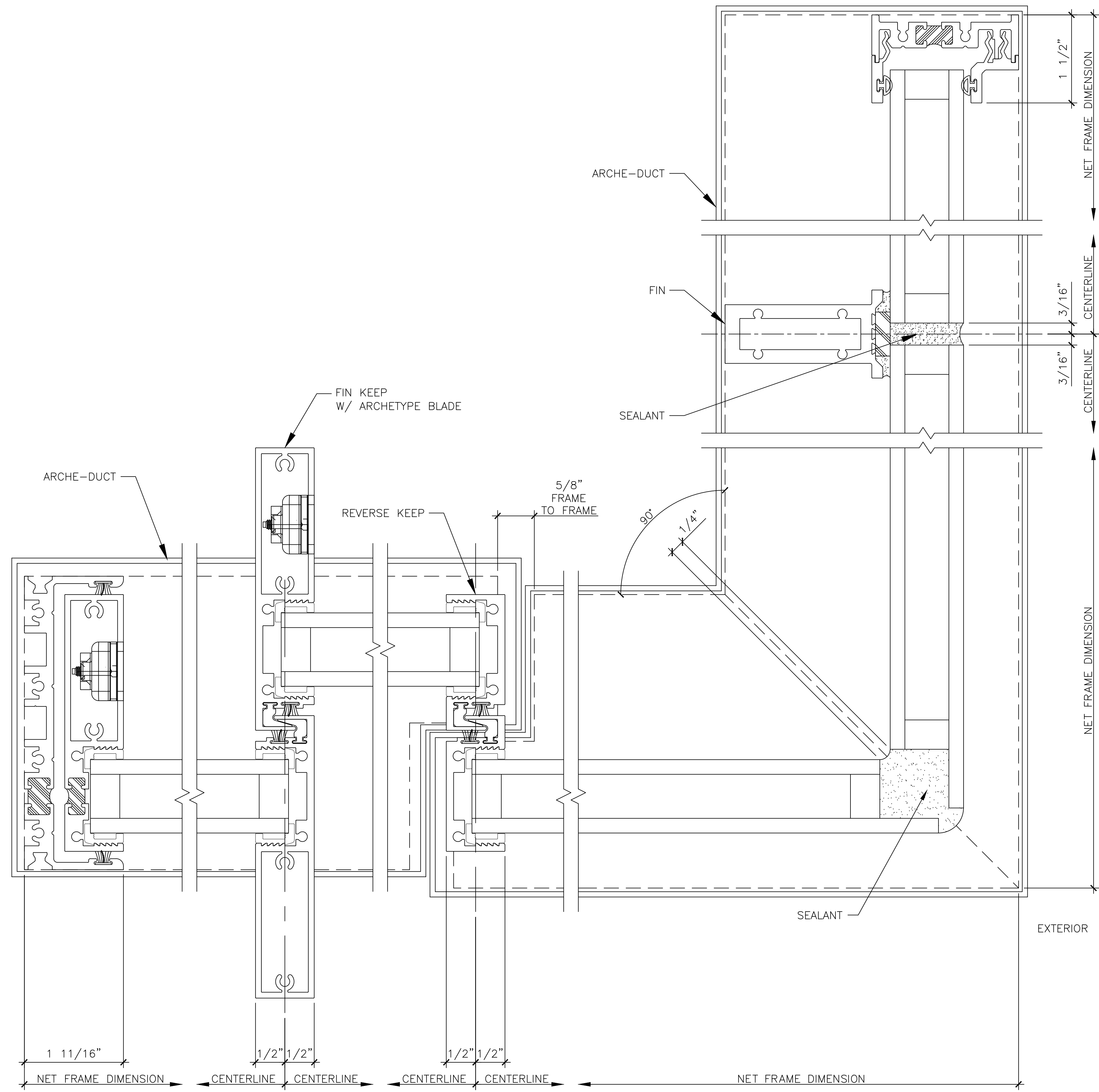
4 EDGE [f] STANDARD SILL
SCALE: 1'-0"=1'-0"

DATE	REVISIONS	DATE	DRAWN BY	COMMENTS

MATERIAL: EDGE [s]
EDGE [f]

CUSTOMER: 1 FLEETWOOD WAY
CORONA, CA 92879
JOB NUMBER: www.fleetwoodusa.com





1 EDGE |s| JAMB
SCALE: 1'-0"=1'-0"

2 EDGE |s| KEEPS
SCALE: 1'-0"=1'-0"

3 EDGE |s| KEEPS
SCALE: 1'-0"=1'-0"

4 EDGE |f| 90° OUTSIDE CORNER (EQUAL OFFSET)
SCALE: 1'-0"=1'-0"

6 EDGE |f| JAMB
SCALE: 1'-0"=1'-0"

5 EDGE |f| BUTT GLAZING
SCALE: 1'-0"=1'-0"

MATERIAL: EDGE s EDGE f				JOB NUMBER:			
CUSTOMER: JOB NAME:				JOB NUMBER:			
SCALE :	1' = 1'						
DRAWING NO. :	2.02						
SHEET :	3 OF 4						
COMMENTS	DRAWN BY	DATE	REVISIONS	DATE	DRAWN BY	DATE	COMMENTS

1 FLEETWOOD WAY
CORONA, CA 92879
www.fleetwoodusa.com

