

FOR ILLUSTRATION ONLY

IMPORTANT NOTES:

- FLEETWOOD WILL NOT USE THESE DRAWINGS TO PRODUCE PRODUCT. THE DEALER IS SOLELY RESPONSIBLE TO MAKE SURE THE CONFIRMED ORDER TO THE FACTORY REFLECTS THE INFORMATION HEREIN.
- INSTALLATION:** THESE DRAWINGS ARE NOT INTENDED TO BE USED AS INSTALLATION INSTRUCTIONS. INSTALLATION INSTRUCTIONS ARE AVAILABLE ONLINE AT WWW.FLEETWOODUSA.COM UNDER EACH PRODUCT PAGE, OR BY REQUEST.
- FIELD TESTING:** ALL STRUCTURALLY LABELED FLEETWOOD DOORS AND WINDOWS WILL BE MANUFACTURED IN PRECISELY THE SAME MANNER AS THE APPROVED CERTIFIED TEST SPECIMEN. THERE IS NO OTHER SPECIFIC GUARANTEE REGARDING WEATHER PERFORMANCE OR FIELD TEST RESULTS. ANY FIELD TESTING PERFORMED MUST BE PER AAMA 502-90; TEST METHOD A, AND PERFORMED "IMMEDIATELY AFTER INSTALLATION" AS REQUIRED IN PARAGRAPH TWO OF "SHORT FORM FIELD TESTING SPECIFICATIONS" ON THE INSIDE COVER. FIELD TEST RESULTS WILL NOT BE CONSIDERED VALID UNLESS PERFORMED WITHIN FOUR (4) WEEKS OF SPECIMEN INSTALLATION. DUE TO UNCONTROLLABLE INSTALLATION AND TEST VARIABLES, EXPECT ONLY 75% OF LABORATORY PERFORMANCE RESULT IN TYPICAL FIELD INSTALLATION CONDITIONS. ANY FIELD TEST MUST COMPLY WITH FLEETWOOD'S FIELD TESTING PROCEDURE. THIS PROCEDURE IS AVAILABLE ONLINE AT WWW.FLEETWOODUSA.COM ON THE E-DEALER PAGE, OR BY REQUEST.

- CORNER SEALING:** BECAUSE OF THE POTENTIAL FOR SEALANT DISRUPTION DURING HANDLING AND ERECTION, THE INSTALLER IS RESPONSIBLE FOR ALL FRAME CORNER SEALS, WHETHER OR NOT THESE FRAMES WERE FACTORY ASSEMBLED.
- FRAME MULLIONS, TRANSOMS, & COMPENSATING CHANNELS:** FLEETWOOD RECOMMENDS STRUCTURAL ANCHORING OF ALL MULLIONS, TRANSOMS, AND COMPENSATING CHANNELS. THESE HAVE NOT BEEN TESTED FOR AIR, WATER, STRUCTURAL, OR WIND LOAD PERFORMANCE. PRODUCTS ORDERED WITH NAIL-FIN FRAMES WILL REQUIRE THE REMOVAL OF THE NAIL FIN IN THE FIELD BY THE INSTALLER WHERE BLOCK FRAMES ARE REQUIRED. BLOCK FRAMES ARE REQUIRED AT THE JAMBS OF I-MULLED PRODUCTS, THE SILL OF I-MULLED PRODUCTS, AND THE HEAD AND SILL OF STACKED/TRANSOM PRODUCTS. DEAD LOAD FROM FIELD STACKING NEEDS TO BE CONFIRMED WITH A STRUCTURAL ENGINEER.
- HARDWARE:** MANUFACTURER'S STANDARD

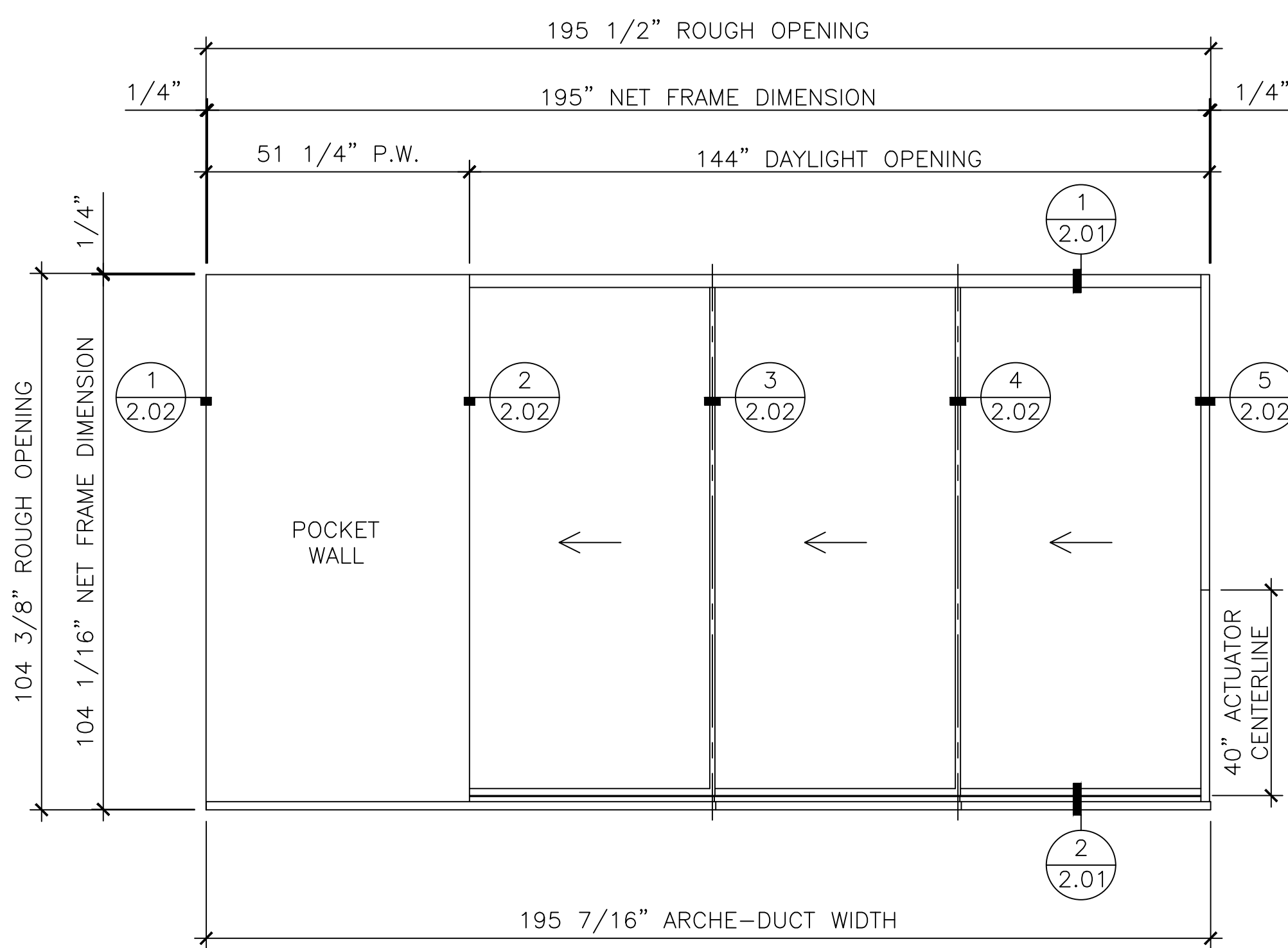
- WARRANTY:** ALL INVOLVED PARTIES SHOULD REVIEW THE WARRANTY, AND THE TERMS AND CONDITIONS BY WHICH THE JOB WILL BE PROCESSED. A COPY CAN BE REVIEWED ON THE WEBSITE OR BY CONTACTING THE FACTORY DIRECTLY.

- WINDOW AND DOOR ELEVATIONS:** DO NOT SCALE THE WINDOW AND DOOR ELEVATION DRAWINGS. USE ONLY THE DIMENSIONS PROVIDED ON THE ELEVATIONS FOR REFERENCE. THE INTENT OF THE ELEVATIONS ARE TO SHOW THE OVERALL NET FRAME SIZES AND DEPICT PRODUCT CONFIGURATION. PLEASE CONTACT THE FACTORY WHEN CRITICAL DIMENSIONS, SUCH AS INTERLOCKER CENTERLINES, ARE REQUIRED.

GENERAL NOTES

- ELEVATIONS ARE SHOWN FROM EXTERIOR UNLESS OTHERWISE NOTED
- ANCHOR / WALL FASTENER - LOCATION, SPACING AND QUANTITY TO BE DETERMINED PER DESIGN PRESSURE REQUIREMENTS BY STRUCTURAL ENGINEER AND/OR CERTIFIED TEST DRAWINGS
- THE FOLLOWING TABLES ARE THIS JOB'S SPECIFIC SERIES DEFAULT OPTIONS UNLESS NOTED ON AN ELEVATION.
- INITIAL RELEASE PER QUOTE

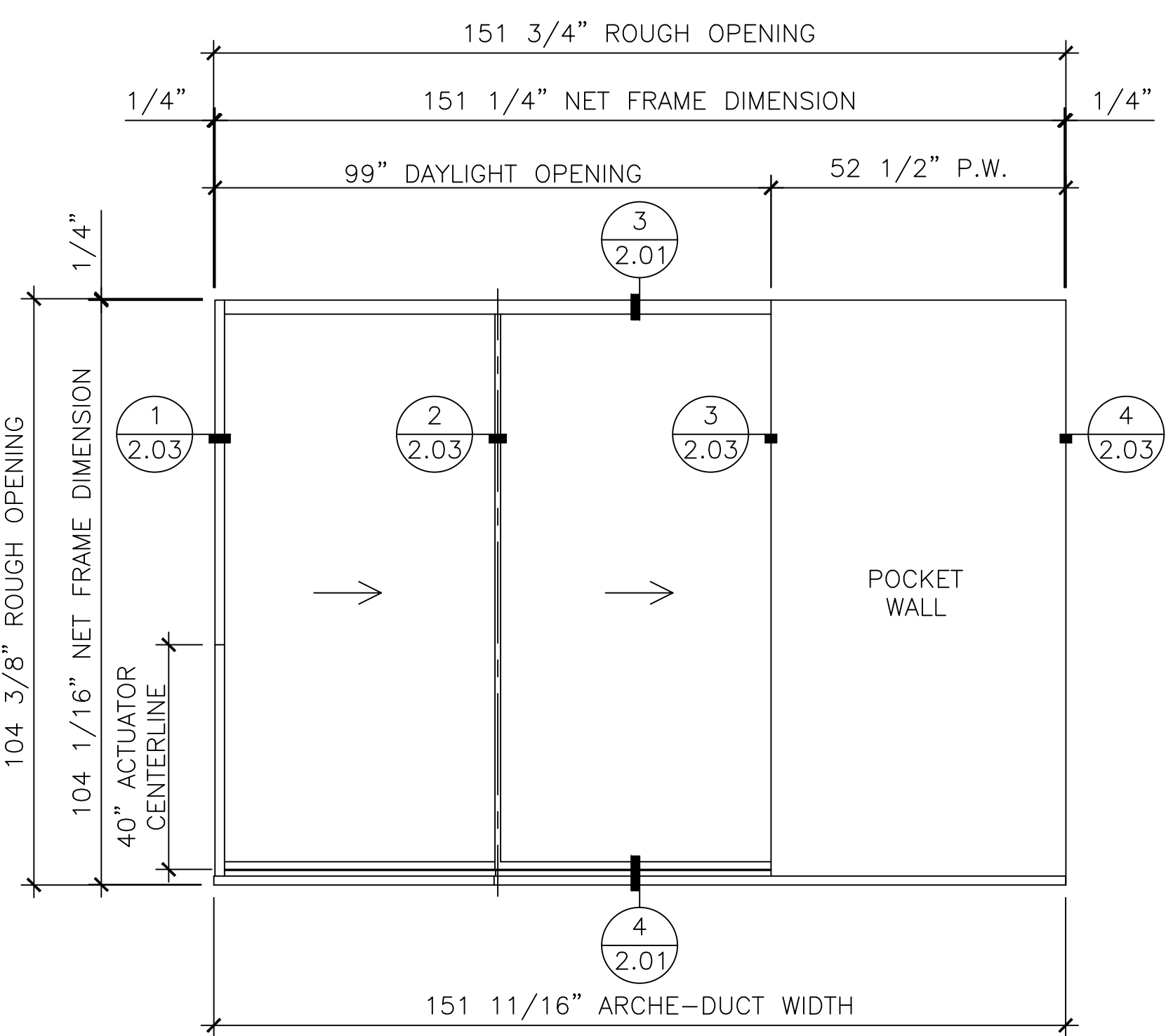
EDGE s 	
PRODUCT DESCRIPTION: SLIDING DOOR	
FINISH:	CLASS 1, BLACK ANODIZED
HARDWARE:	BLACK PAINTED STAINLESS STEEL
GLASS:	1.25" CLEAR CARDINAL 366 6MM-T, 0.75 ARGON, LOW IRON 6MM-T (GLAZED)
FRAME:	BLOCK (FIELD ASSEMBLED)
ACTUATOR HEIGHT:	40" (FROM BOTTOM OF PANEL)
ARCHE-DUCT:	OPT-B;(1" BOTTOM DRAIN-EXT)
DRAIN FROM EDGE:	8" (NO DRAIN IN POCKET; 8" FROM POCKET EDGE)
DRAIN SPACING:	60"
FIN PULL:	YES-LEAD STILE (ROOM SIDE/JAMB SIDE)(OPT-C)
HEAD:	STANDARD (STAGGERED)
HEEL SHEAVE:	(A4-E),(A1-E)
KEEPS:	STANDARD (OPT-A)
POCKET CLOSER:	YES
POCKET KEEP:	STANDARD
POCKET TYPE:	CLOSED (STANDARD)
POCKET WALL KEEP:	2 PIECE (STD)
SILL:	(SFD-E)-STAGGERED



D1 (1) ONE REQ'D THUS
 EDGE |s| PXXX
 ROOM REF.: P1

STACKS TO: THE INTERIOR (OF THE LEFT PANEL)
 LEAD PANEL RIGHT: FIN JAMB INT. W/ BLADE (OPT-D)
 SDL: NONE

NOTES:
 1. REFERENCE DETAIL 1/2.04 FOR OPEN POSITION
 2. REFERENCE DETAIL 1/2.05 FOR ARCHE-DUCT PLAN VIEW



D2 (1) ONE REQ'D THUS
 EDGE |s| XXP
 ROOM REF.: P2

STACKS TO: THE EXTERIOR (OF THE LEFT PANEL)
 LEAD PANEL LEFT: FIN JAMB INT. W/ BLADE (OPT-D)
 SDL: NONE

NOTES:
 1. REFERENCE DETAIL 2/2.04 FOR OPEN POSITION
 2. REFERENCE DETAIL 2/2.05 FOR ARCHE-DUCT PLAN VIEW

COMMENTS				
DRAWN BY				
DATE				
REVISIONS				

DATE:		JOB NUMBER:	
DRAWN BY:			
MATERIAL: EDGE s		CUSTOMER:	
		JOB NAME:	

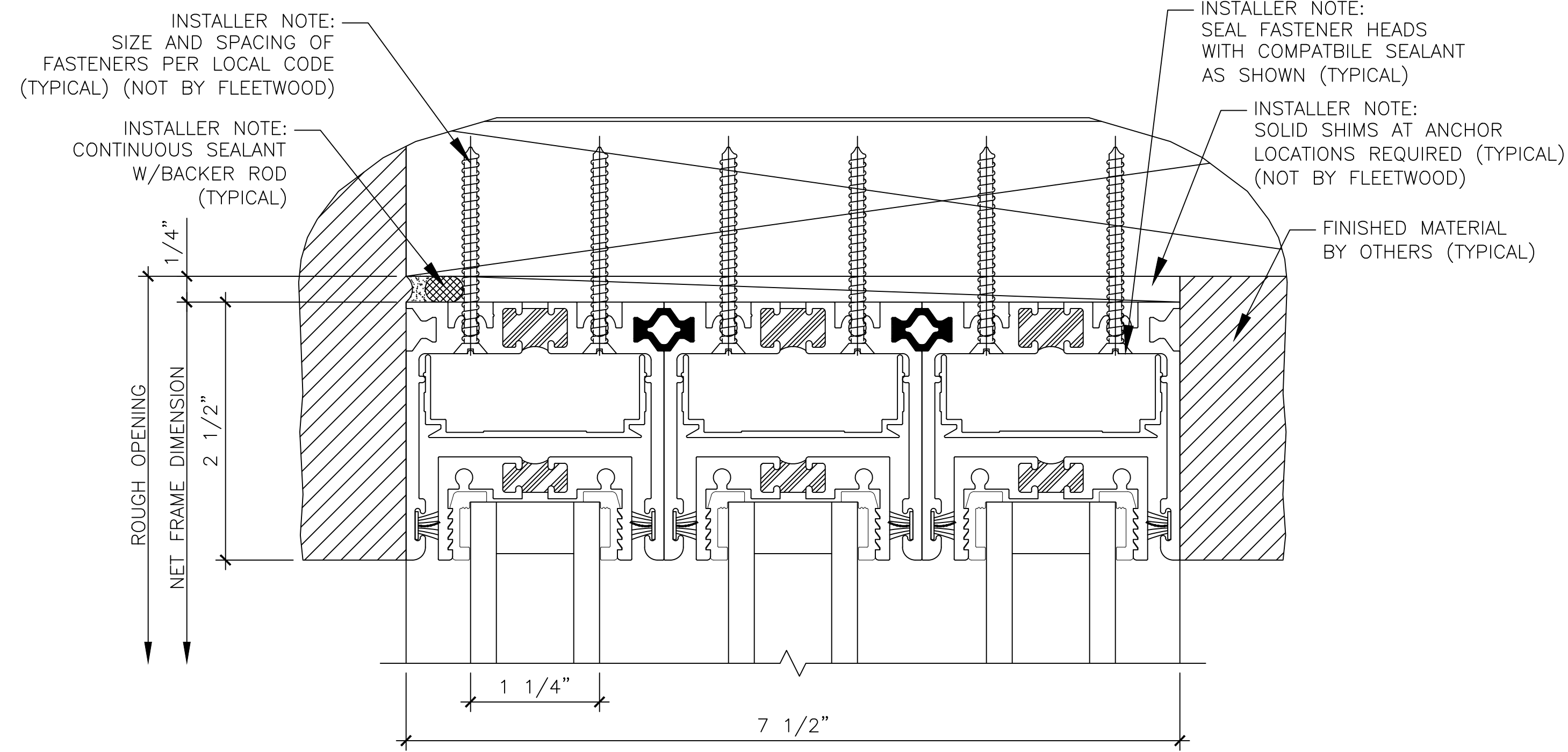
1 FLEETWOOD WAY
 CORONA, CA 92879
 www.fleetwoodusa.com

FLEETWOOD
 W I N D O W S & D O O R S

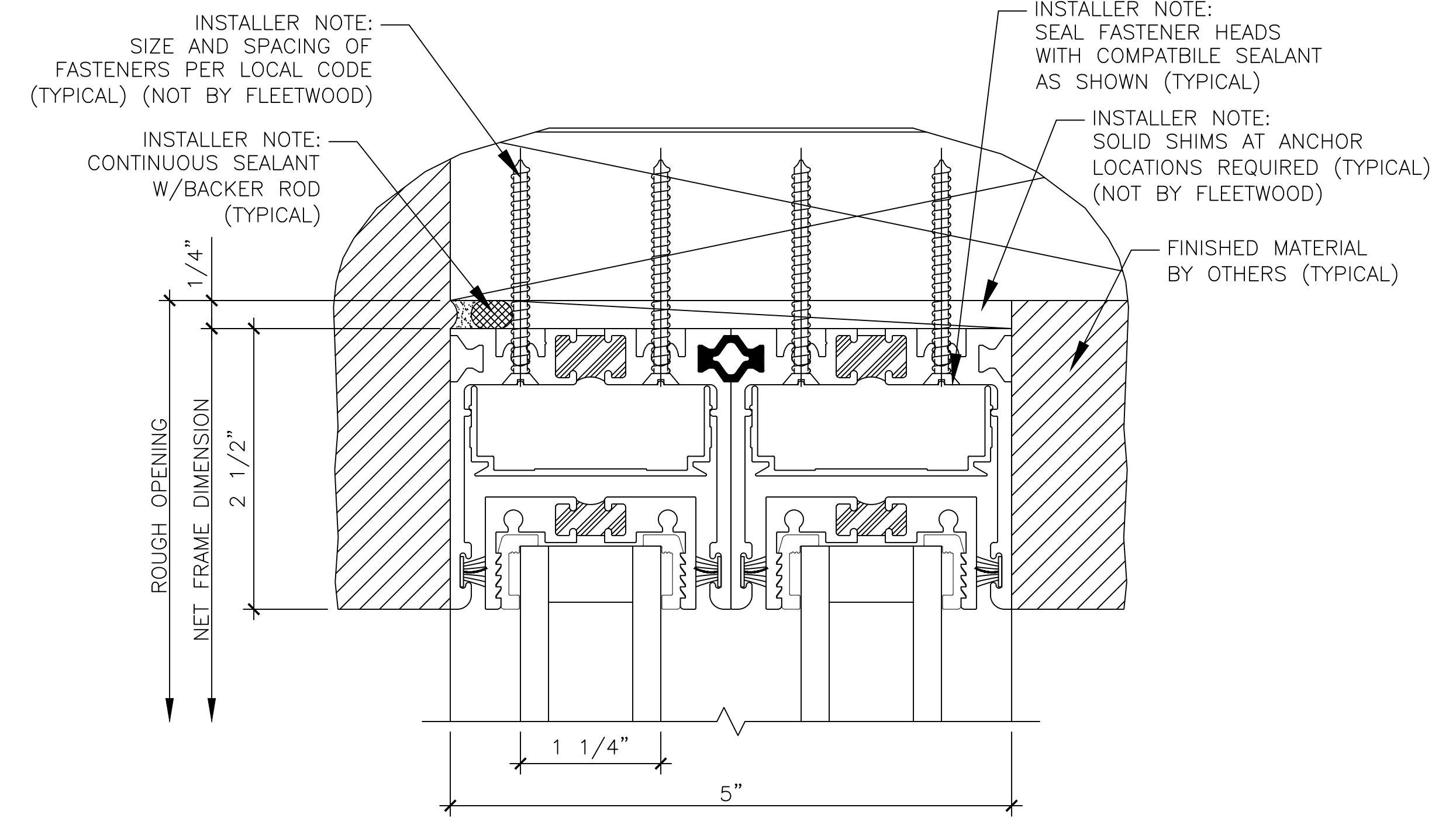
SCALE :
 1/2" = 1'

DRAWING NO. :
1.01

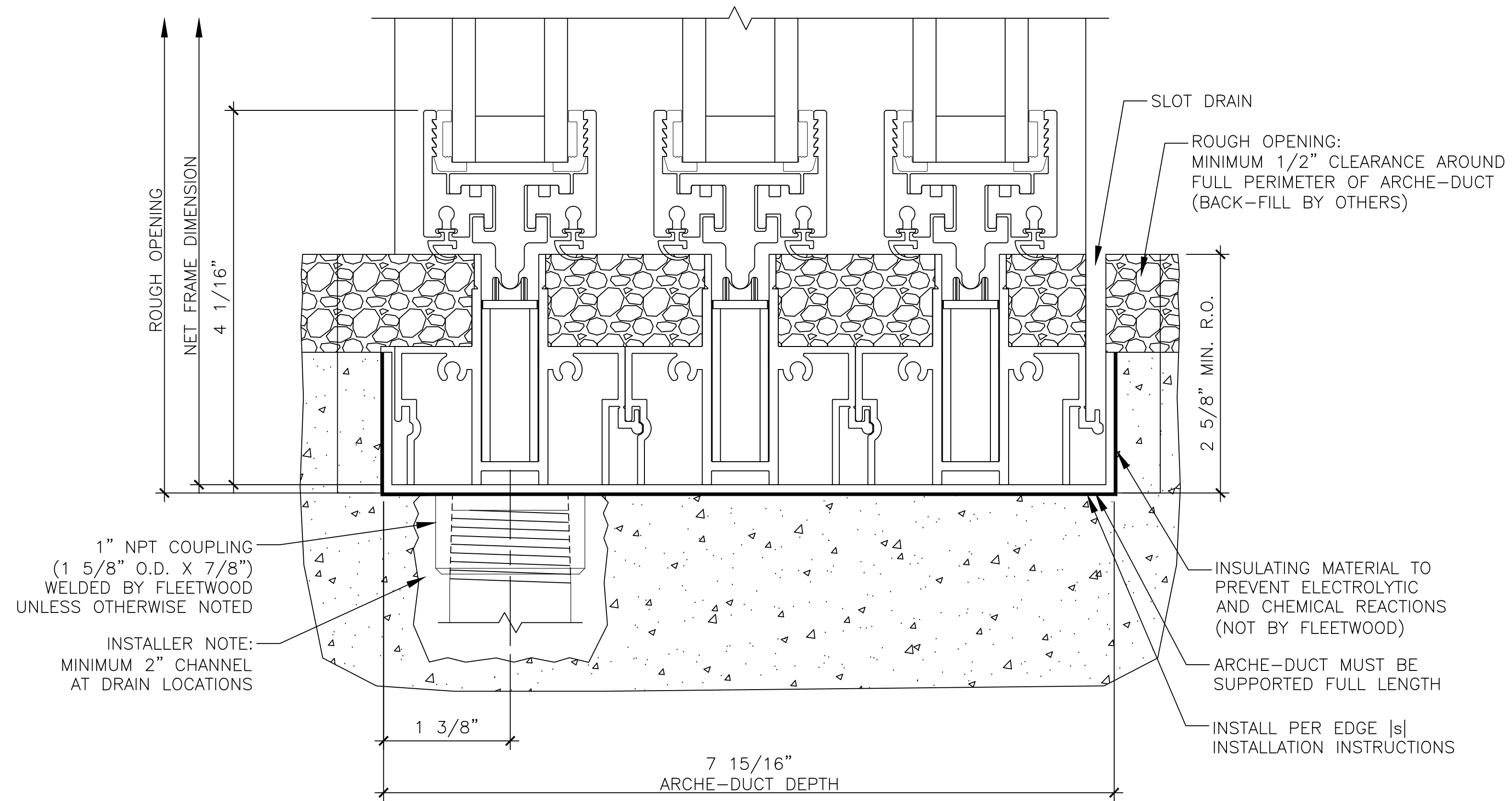
SHEET :
 1 OF 6



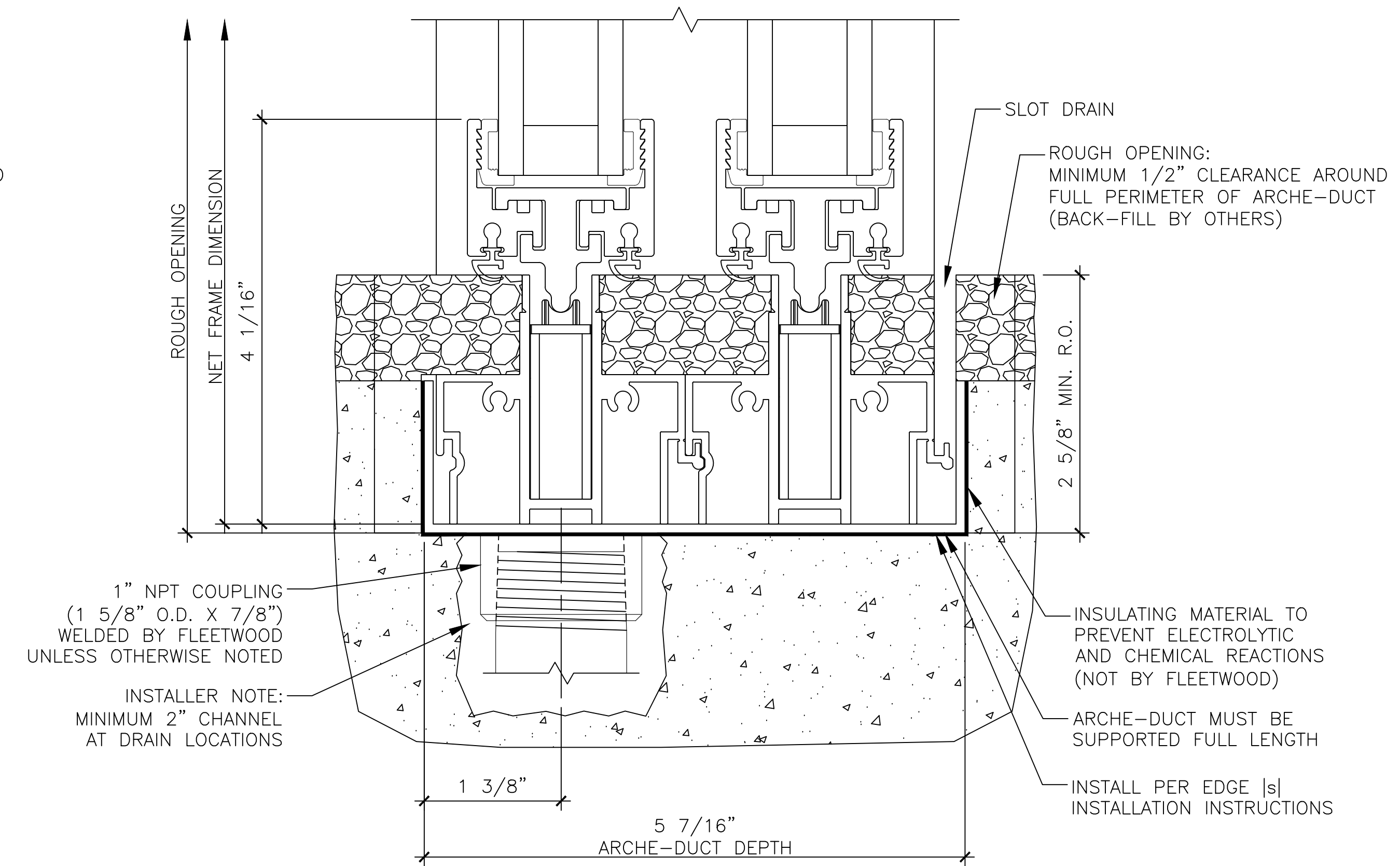
1 EDGE |s| HEAD
SCALE: 1'-0"=1'-0"



3 EDGE |s| HEAD
SCALE: 1'-0"=1'-0"

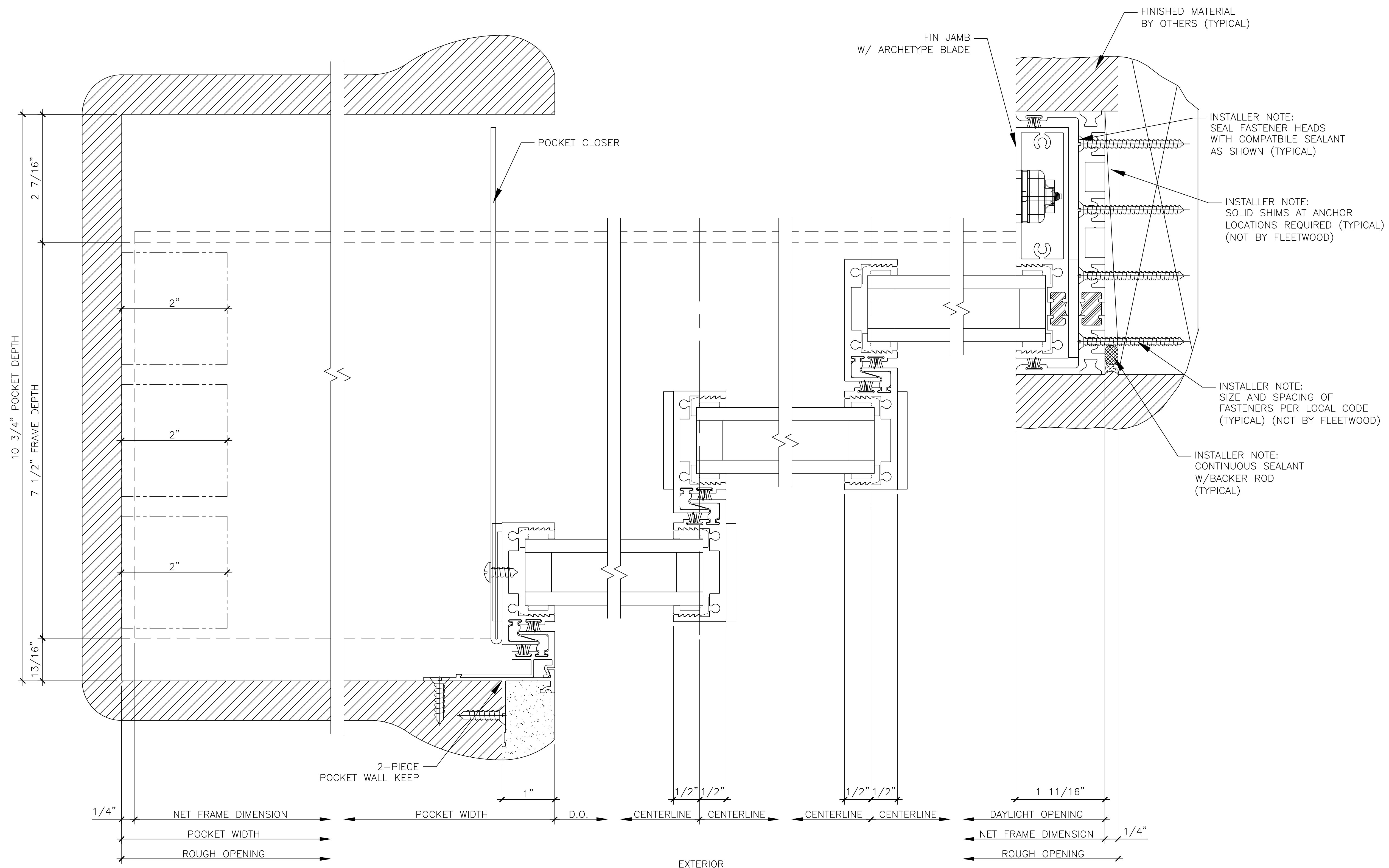


2 EDGE |s| SILL
SCALE: 1'-0"=1'-0"



4 EDGE |s| SILL
SCALE: 1'-0"=1'-0"

COMMENTS					
DRAWN BY					
DATE					
REVISIONS					
DATE					
DRAWN BY					
JOB NUMBER:					
MATERIAL: EDGE s					
CUSTOMER:	1 FLEETWOOD WAY CORONA, CA 92879 www.fleetwoodusa.com				
JOB NAME:	FLEETWOOD WINDOWS & DOORS				
SCALE :	1' = 1'				
DRAWING NO. :	2.01				
SHEET :	2 OF 6				



1 EDGE |s| POCKET JAMB
SCALE: 1'-0"=1'-0"

2 EDGE |s| POCKET KEEP
SCALE: 1'-0"=1'-0"

3 EDGE |s| KEEPS
SCALE: 1'-0"=1'-0"

4 EDGE |s| KEEPS
SCALE: 1'-0"=1'-0"

5 EDGE |s| JAMB
SCALE: 1'-0"=1'-0"

REVISIONS	DATE	DRAWN BY	COMMENTS

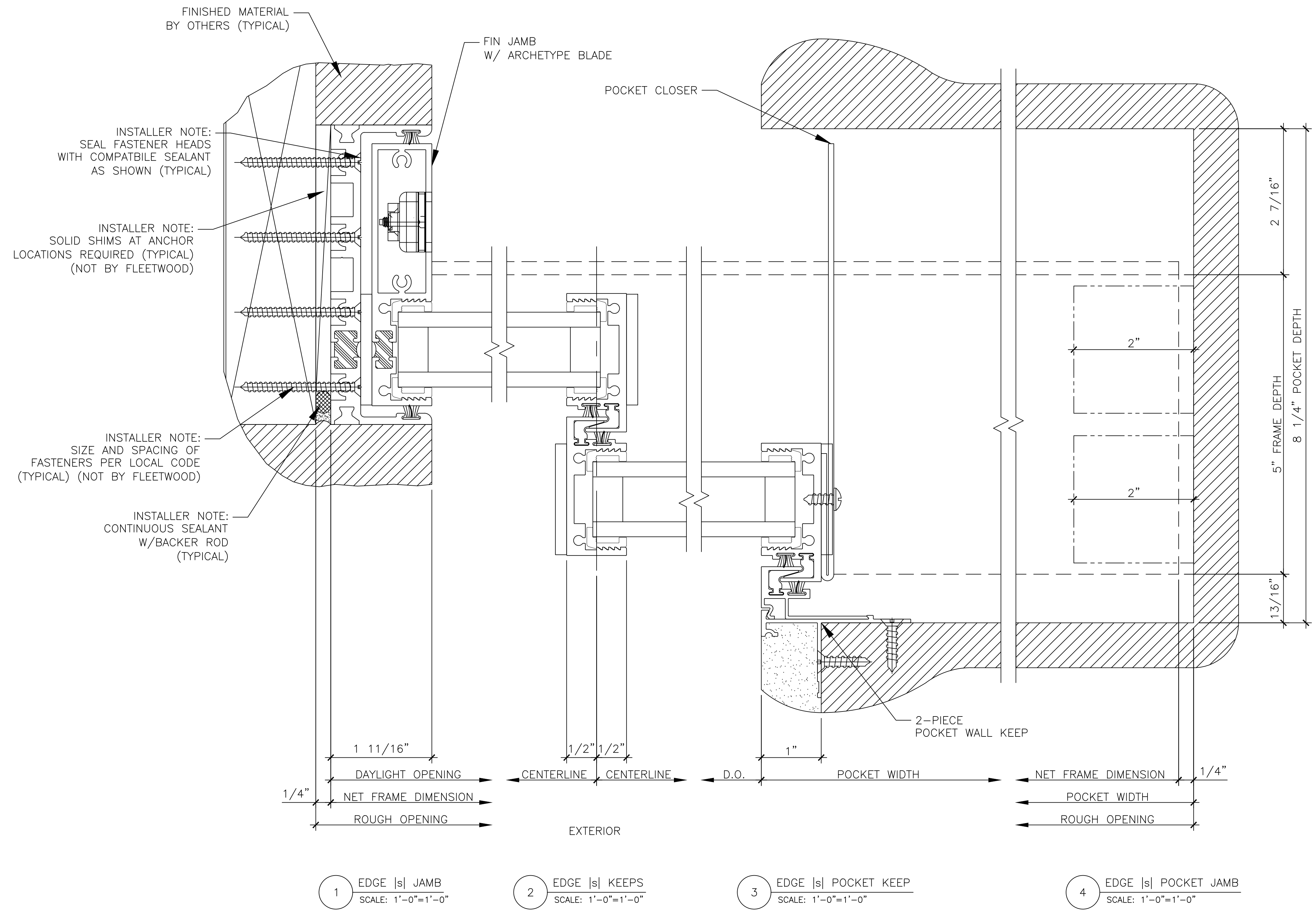
MATERIAL: EDGE |s|
 CUSTOMER:
 JOB NUMBER:
 JOB NAME:

FLEETWOOD
 W I N D O W S & D O O R S
 1 FLEETWOOD WAY
 CORONA, CA 92879
 www.fleetwoodusa.com

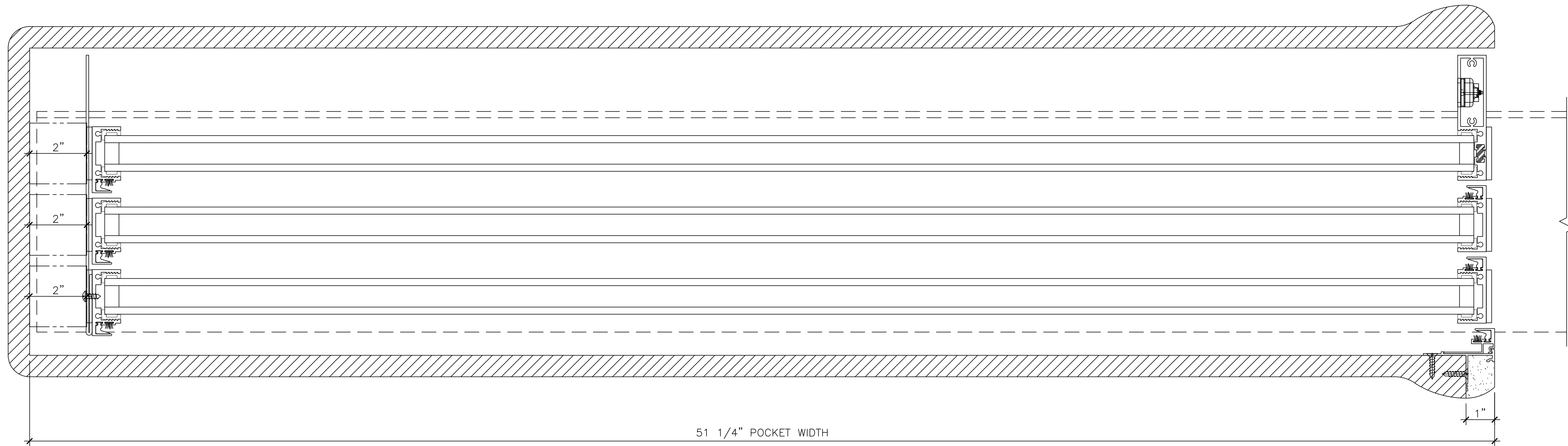
SCALE : 1' = 1'

DRAWING NO. : 2.02

SHEET : 3 OF 6



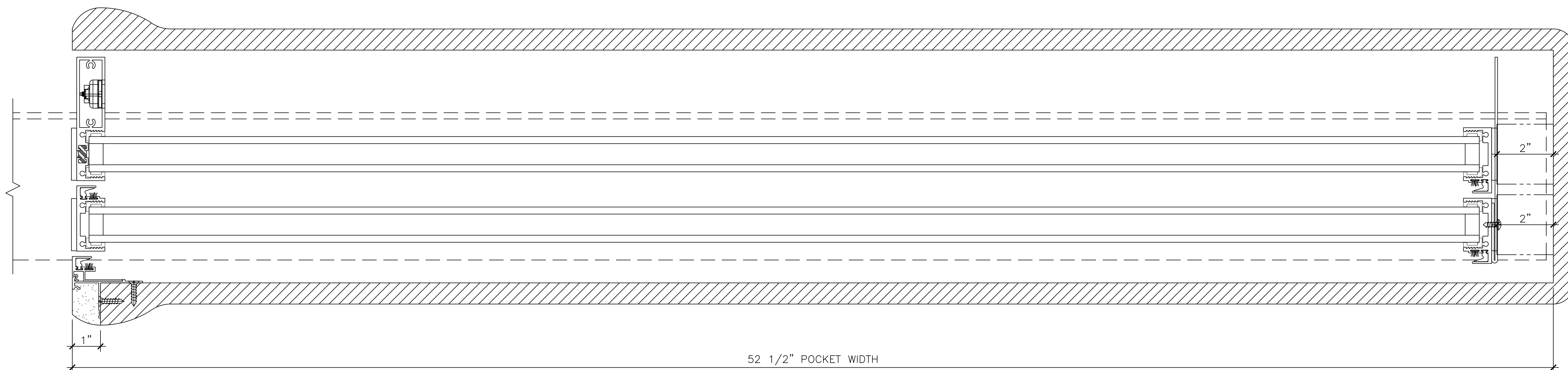
MATERIAL: EDGE s		DATE:		REVISIONS:		DATE:		DRAWN BY:		JOB NUMBER:	
CUSTOMER: 1 FLEETWOOD WAY CORONA, CA 92879 www.fleetwoodusa.com		JOB NAME:									
<p>FLEETWOOD W I N D O W S & D O O R S</p> <p>SCALE : 1' = 1'</p> <p>DRAWING NO. : 2.03</p> <p>SHEET : 4 OF 6</p>											



51 1/4" POCKET WIDTH

EXTERIOR

1 EDGE |s| OPEN POSITION
SCALE: 6"=1'-0"



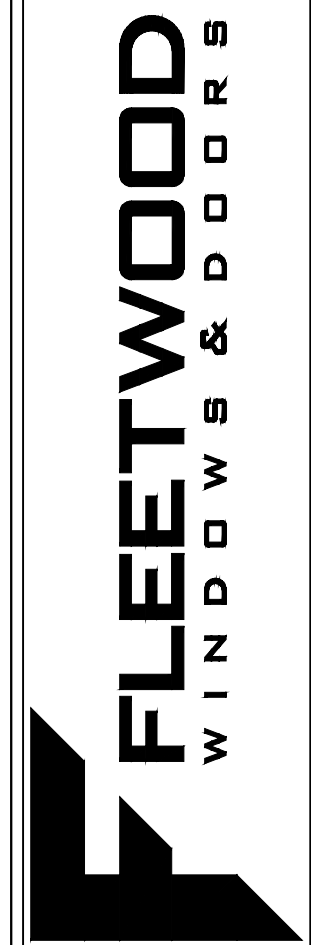
52 1/2" POCKET WIDTH

EXTERIOR

2 EDGE |s| OPEN POSITION
SCALE: 6"=1'-0"

MATERIAL: EDGE s	DRAWN BY:	DATE:	REVISIONS:	DATE:	DRAWN BY:	COMMENTS:
CUSTOMER:	JOB NUMBER:					
JOB NAME:						

1 FLEETWOOD WAY
CORONA, CA 92879
www.fleetwoodusa.com



SCALE :
6" = 1'

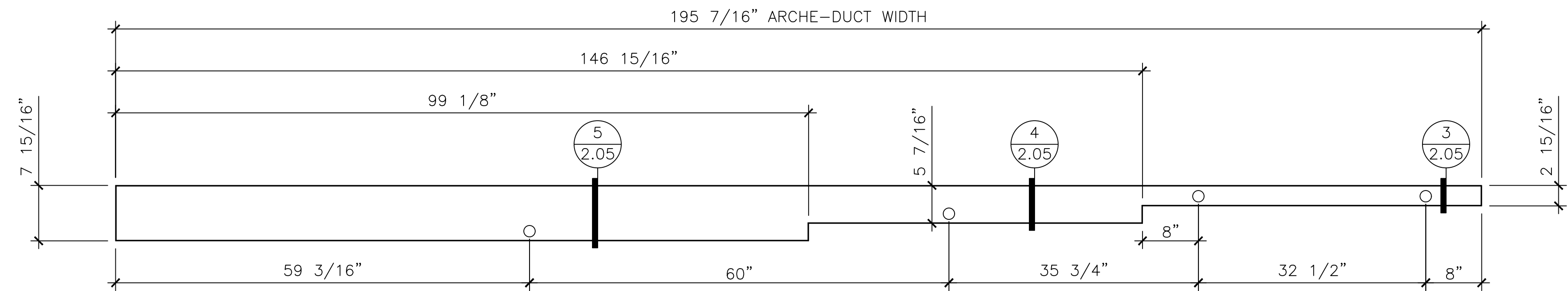
DRAWING NO. :
2.04

SHEET :
5 OF 6

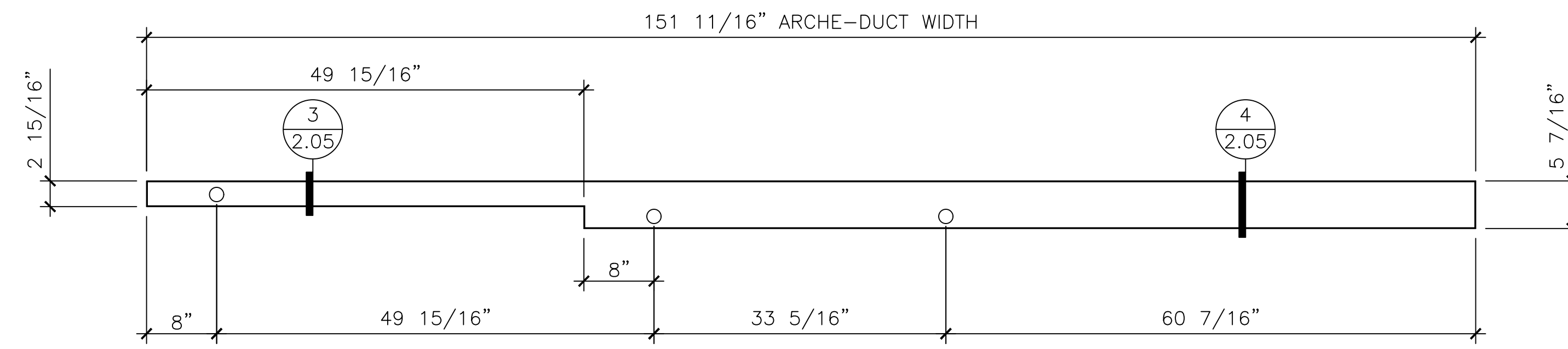
FABRICATION NOTES:
 1. ALL DIMENSIONS ARE OUTSIDE DIMENSIONS UNLESS OTHERWISE NOTED.
 2. DRAINS TO BE WELDED PER DIMENSIONS $\pm 1/8"$ BY FLEETWOOD.

INSTALLER NOTES:
 1. INSTALLER TO INSTALL PER INSTALLATION INSTRUCTIONS.
 2. ROUGH OPENING: MINIMUM $1/2"$ CLEARANCE AROUND FULL PERIMETER OF ARCHE-DUCT. (BACK-FILL BY OTHERS)
 3. MINIMUM 2" CHANNEL AT DRAIN LOCATIONS.
 4. MINIMUM $2-1/16"$ ROUGH OPENING DEPTH.
 5. USE INSULATING MATERIAL TO PREVENT ELECTROLYTIC AND CHEMICAL REACTIONS. (NOT BY FLEETWOOD)
 6. ARCHE-DUCT MUST BE SUPPORTED FULL LENGTH.

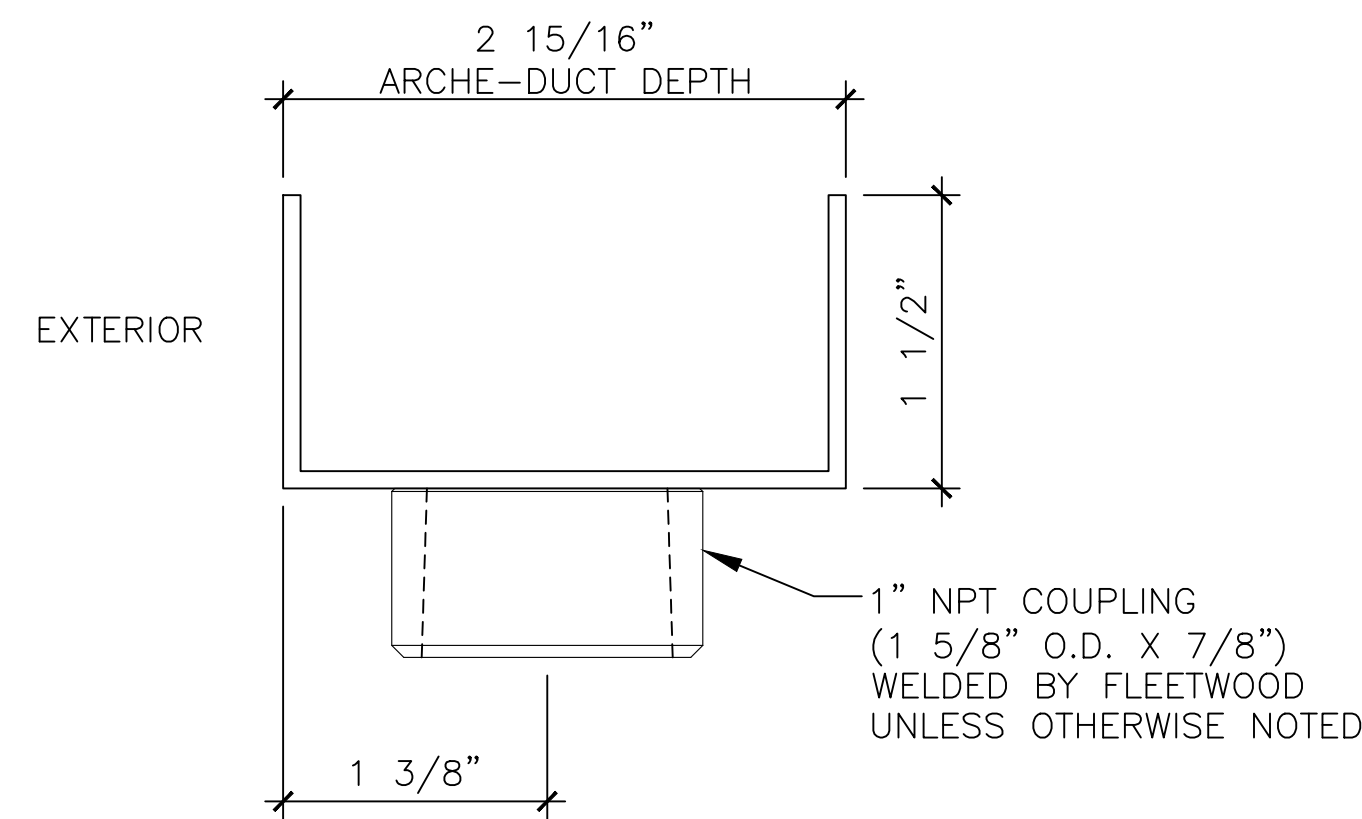
DEALER NOTES:
 1. DRAIN SPACING: DEALER TO ENTER/CONFIRM ENTRY ON ORDER FRAME OPTIONS PRIOR TO ORDER SUBMITTAL.
 2. DRAINS REQUIRE A MINIMUM DISTANCE FROM ENDS (8" TYPICAL).



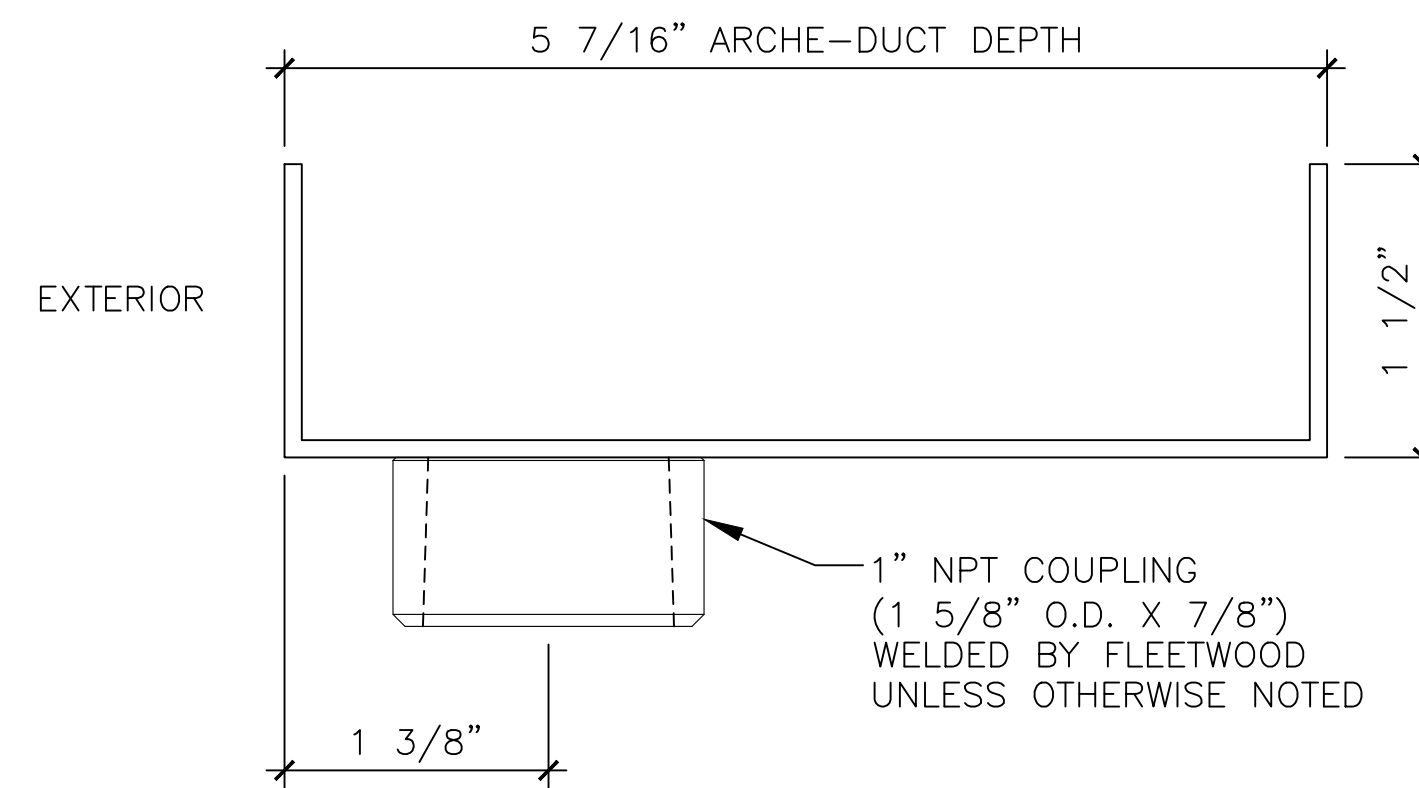
1 EDGE |S| ARCHE-DUCT PLAN VIEW
 SCALE: 1"=1'-0"



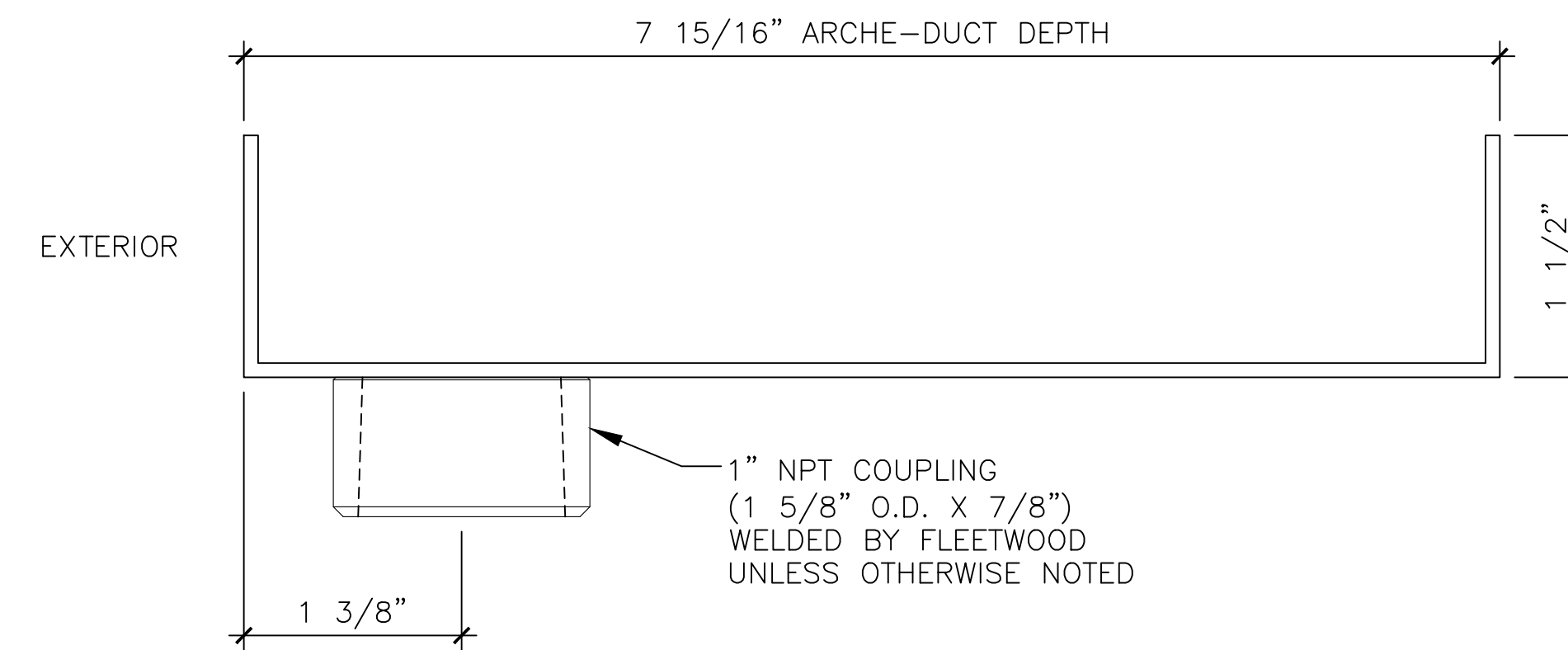
2 EDGE |S| ARCHE-DUCT PLAN VIEW
 SCALE: 1"=1'-0"



3 EDGE |S| ARCHE-DUCT SECTION VIEW
 SCALE: 1'-0"=1'-0"



4 EDGE |S| ARCHE-DUCT SECTION VIEW
 SCALE: 1'-0"=1'-0"



5 EDGE |S| ARCHE-DUCT SECTION VIEW
 SCALE: 1'-0"=1'-0"

REVISIONS	DATE	DRAWN BY	COMMENTS

MATERIAL: EDGE |S|
 CUSTOMER: FLEETWOOD
 JOB NAME: FLEETWOOD

1 FLEETWOOD WAY
 CORONA, CA 92879
 www.fleetwoodusa.com

SCALE : 1" = 1'

DRAWING NO. : 2.05

SHEET : 6 OF 6