

12 EXTERIOR
EDGE |s| OPEN POSITION
SCALE: 3"=1'-0"

INITIAL RELEASE NOTES

1. STAGGERED TRACKS MAY OFFSET FRAME/WALL CONDITIONS. HEAD/SILL SECTION VIEWS SHOW MAXIMUM FRAME DEPTH.
2. REGARDING (D1), O-PANEL SILL OPTION CHANGED TO "NARROW" IN LIEU OF QUOTE OPTION "STANDARD (W/SHELF)" TO ACCOMMODATE EDGE |s| SILL AND ARCHE-DUCT. CUSTOMER TO VERIFY.

INSTALLER NOTE:
SIZE AND SPACING OF FASTENERS PER LOCAL CODE (TYPICAL) (NOT BY FLEETWOOD)

INSTALLER NOTE:
CONTINUOUS SEALANT W/BACKER ROD. (TYPICAL)

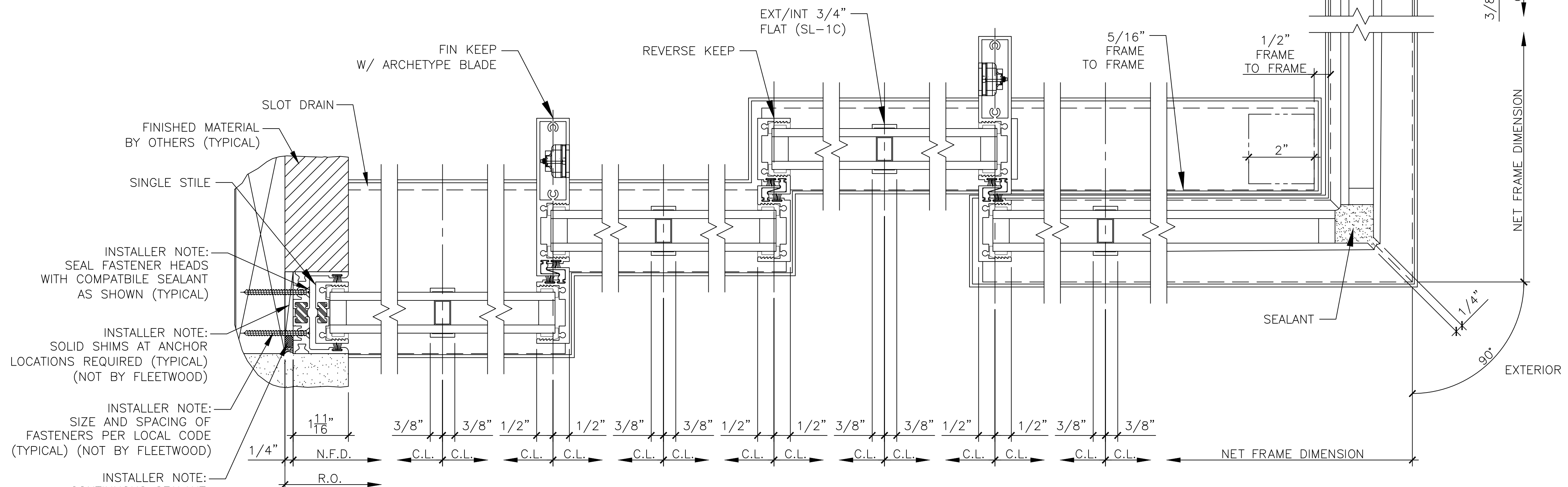
INSTALLER NOTE:
SOLID SHIMS AT ANCHOR LOCATIONS REQUIRED (TYPICAL) (NOT BY FLEETWOOD)

INSTALLER NOTE:
SEAL FASTENER HEADS WITH COMPATIBLE SEALANT AS SHOWN (TYPICAL)

FINISHED MATERIAL BY OTHERS (TYPICAL)

11 EDGE |f| JAMB
SCALE: 6"=1'-0"

10 EDGE |f| SDL
SCALE: 6"=1'-0"



INSTALLER NOTE:
SEAL FASTENER HEADS WITH COMPATIBLE SEALANT AS SHOWN (TYPICAL)

INSTALLER NOTE:
SOLID SHIMS AT ANCHOR LOCATIONS REQUIRED (TYPICAL) (NOT BY FLEETWOOD)

INSTALLER NOTE:
SIZE AND SPACING OF FASTENERS PER LOCAL CODE (TYPICAL) (NOT BY FLEETWOOD)

INSTALLER NOTE:
CONTINUOUS SEALANT W/BACKER ROD (TYPICAL)

1 EDGE |s| JAMB
SCALE: 6"=1'-0"

2 EDGE |s| SDL
SCALE: 6"=1'-0"

3 EDGE |s| KEEPS
SCALE: 6"=1'-0"

4 EDGE |s| SDL
SCALE: 6"=1'-0"

5 EDGE |s| KEEPS
SCALE: 6"=1'-0"

6 EDGE |s| SDL
SCALE: 6"=1'-0"

7 EDGE |s| KEEPS
SCALE: 6"=1'-0"

8 EDGE |f| SDL
SCALE: 6"=1'-0"

9 EDGE |f| 90° OUTSIDE CORNER (MITER OFFSET)
SCALE: 6"=1'-0"

REVISIONS	DATE	DRAWN BY	COMMENTS

MATERIAL: EDGE |s|
EDGE |f|

CUSTOMER: JOB NAME:

1 FLEETWOOD WAY
CORONA, CA 92879
www.fleetwoodusa.com

FLEETWOOD
WINDOWS & DOORS

SCALE :
6" = 1'

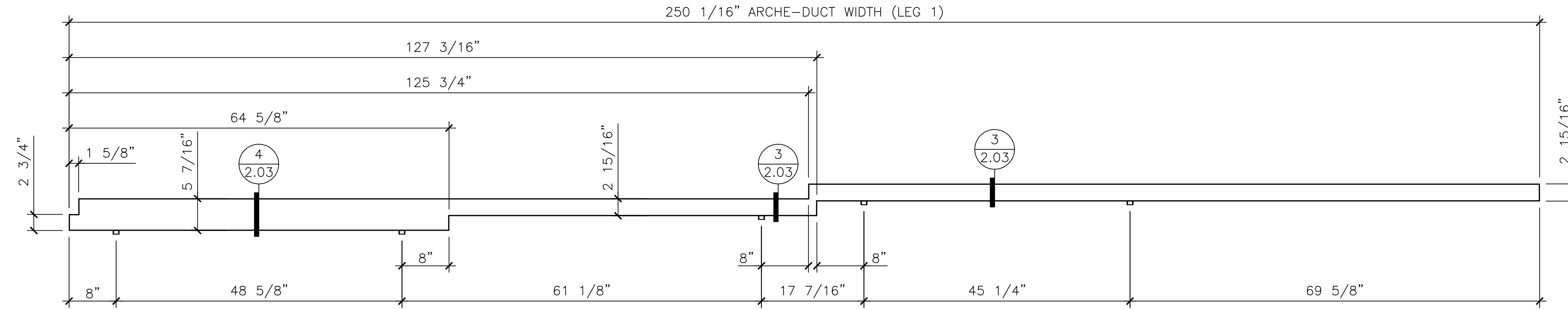
DRAWING NO. :
2.02

SHEET :
3 OF 4

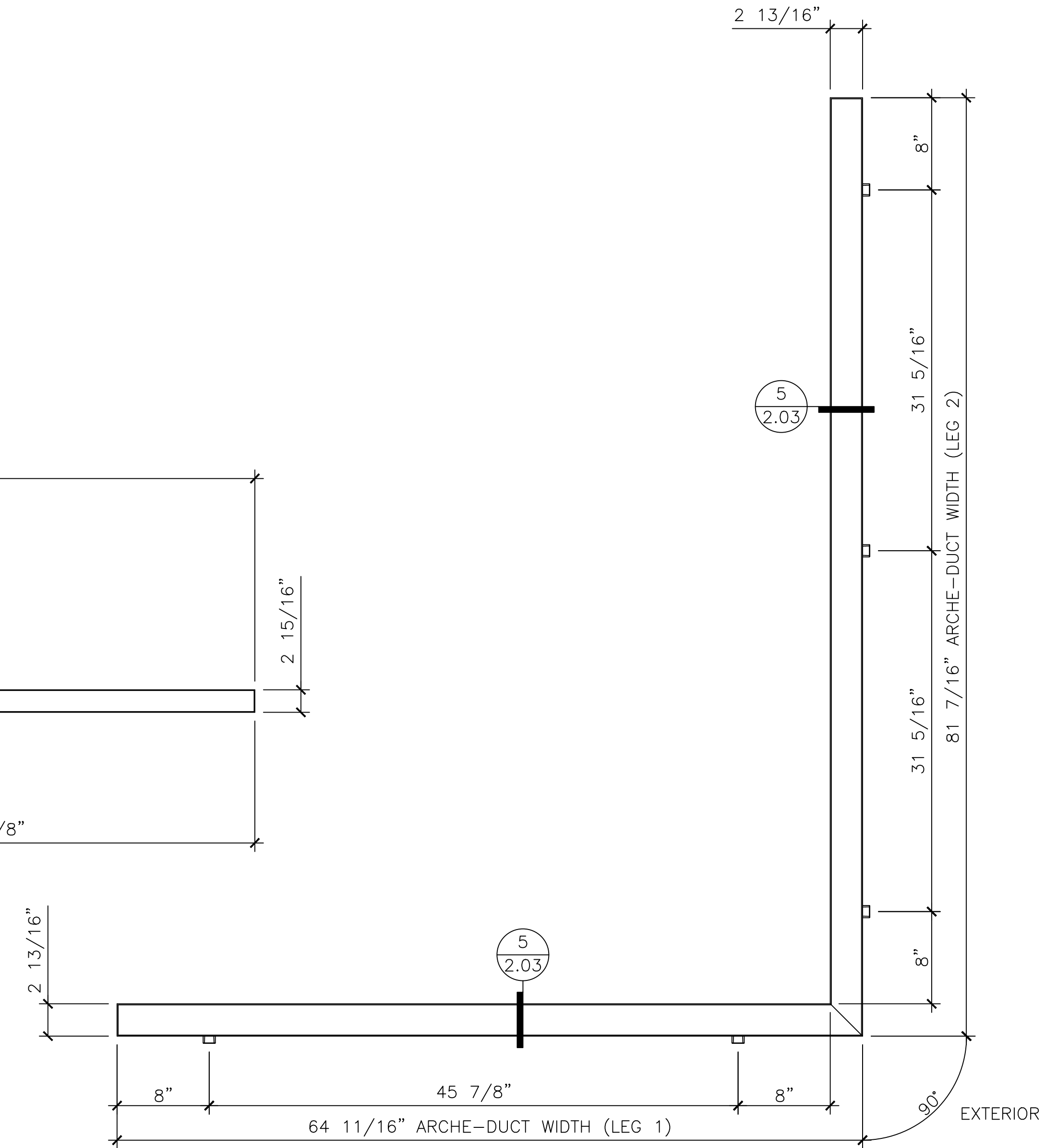
FABRICATION NOTES:
 1. ALL DIMENSIONS ARE OUTSIDE DIMENSIONS UNLESS OTHERWISE NOTED.
 2. DRAINS TO BE WELDED PER DIMENSIONS $\pm 1/8"$ BY FLEETWOOD.

INSTALLER NOTES:
 1. INSTALLER TO INSTALL PER INSTALLATION INSTRUCTIONS.
 2. ROUGH OPENING: MINIMUM $1/2"$ CLEARANCE AROUND FULL PERIMETER OF ARCHE-DUCT. (BACK-FILL BY OTHERS)
 3. MINIMUM $2"$ CHANNEL AT DRAIN LOCATIONS.
 4. MINIMUM $2-1/16"$ ROUGH OPENING DEPTH.
 5. USE INSULATING MATERIAL TO PREVENT ELECTROLYTIC AND CHEMICAL REACTIONS. (NOT BY FLEETWOOD)
 6. ARCHE-DUCT MUST BE SUPPORTED FULL LENGTH.

DEALER NOTES:
 1. DRAIN SPACING: DEALER TO ENTER/CONFIRM ENTRY ON ORDER FRAME OPTIONS PRIOR TO ORDER SUBMITTAL.
 2. DRAINS REQUIRE A MINIMUM DISTANCE FROM ENDS ($8"$ TYPICAL).

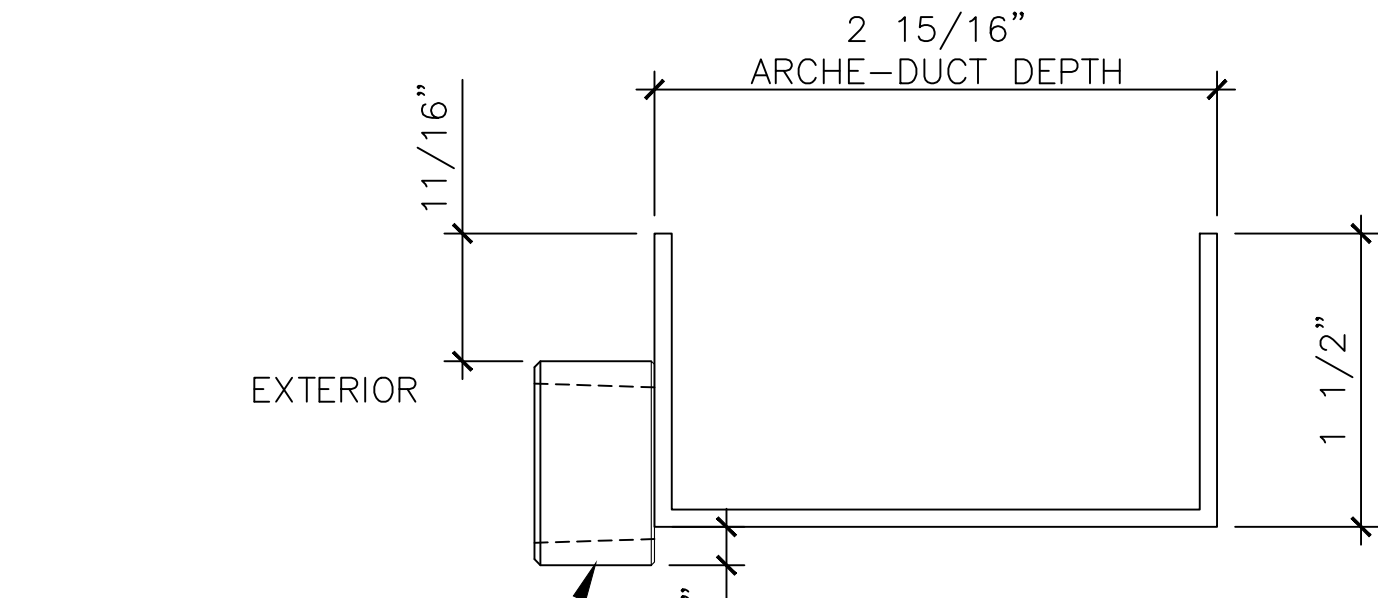


1 EDGE [s] ARCHE-DUCT PLAN VIEW
 SCALE: 1"=1'-0"

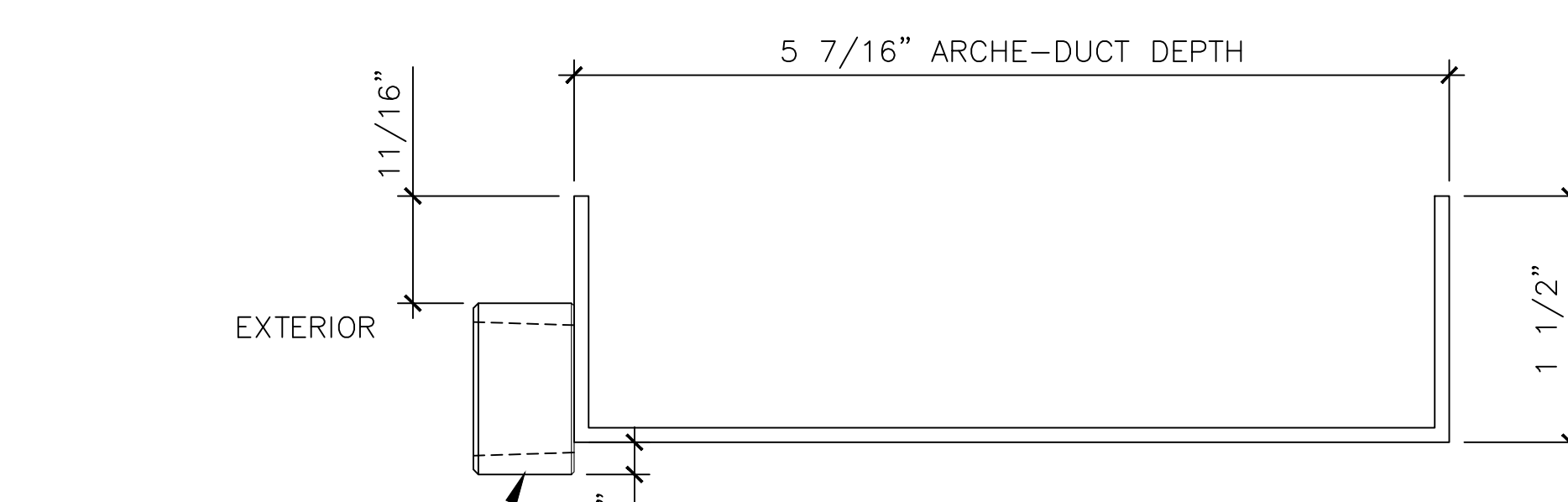


2 EDGE [f] ARCHE-DUCT PLAN VIEW
 SCALE: 1 1/2"=1'-0"

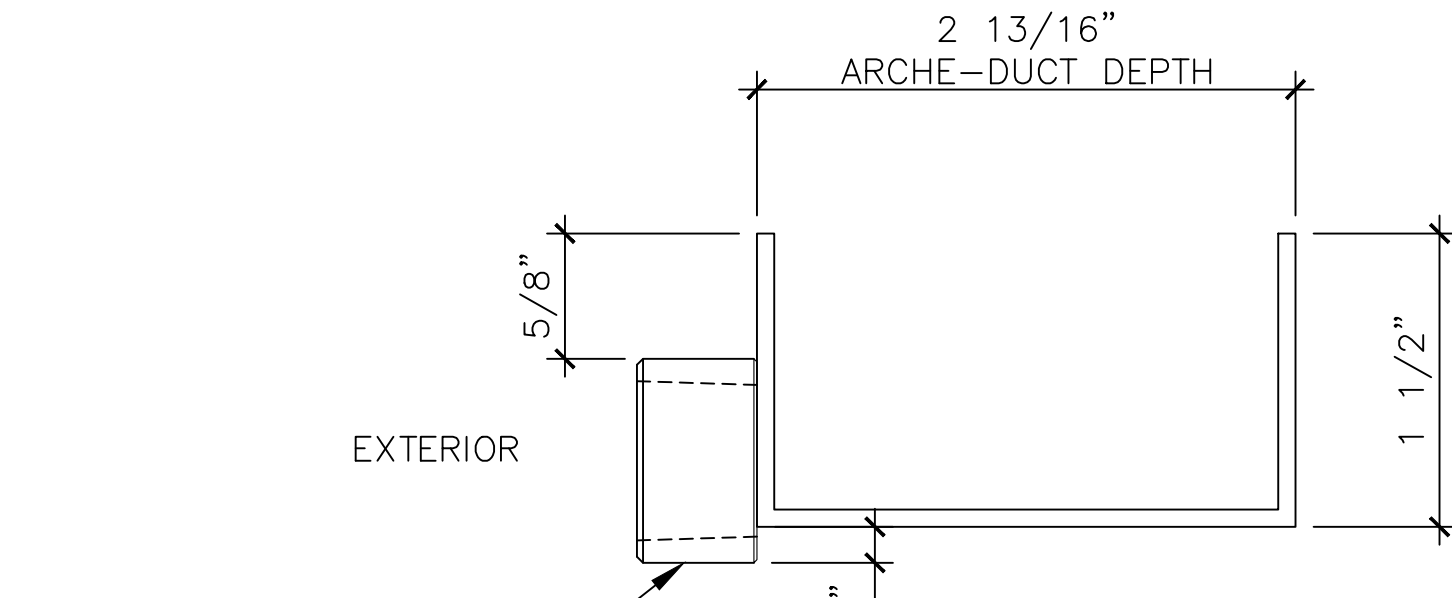
INITIAL RELEASE NOTES
 1. STAGGERED TRACKS MAY OFFSET FRAME/WALL CONDITIONS. HEAD/SILL SECTION VIEWS SHOW MAXIMUM FRAME DEPTH.
 REGARDING (D1), 0-PANEL SILL OPTION CHANGED TO "NARROW" IN LIEU OF QUOTE OPTION "STANDARD (W/SHELF)" TO ACCOMMODATE EDGE [s] SILL AND ARCHE-DUCT. CUSTOMER TO VERIFY.



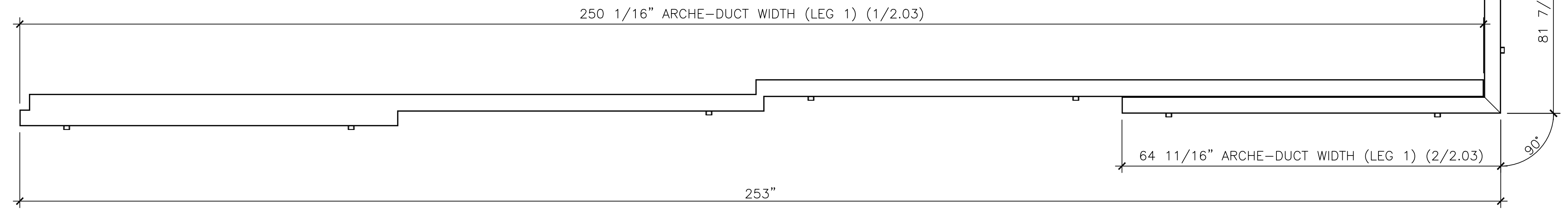
3 EDGE [s] ARCHE-DUCT SECTION VIEW
 SCALE: 1'-0"=1'-0"



4 EDGE [s] ARCHE-DUCT SECTION VIEW
 SCALE: 1'-0"=1'-0"



5 EDGE [f] ARCHE-DUCT SECTION VIEW
 SCALE: 1'-0"=1'-0"



6 EDGE [s] ARCHE-DUCT OVERVIEW
 SCALE: 1"=1'-0"

REVISIONS	DATE	DRAWN BY	COMMENTS

MATERIAL: EDGE [s] EDGE [f]
 CUSTOMER: JOB NUMBER: JOB NAME:

1 FLEETWOOD WAY
 CORONA, CA 92879
 www.fleetwoodusa.com

FLEETWOOD
 WINDOWS & DOORS

SCALE: 1 1/2" = 1'
 DRAWING NO.: 2.03
 SHEET: 4 OF 4