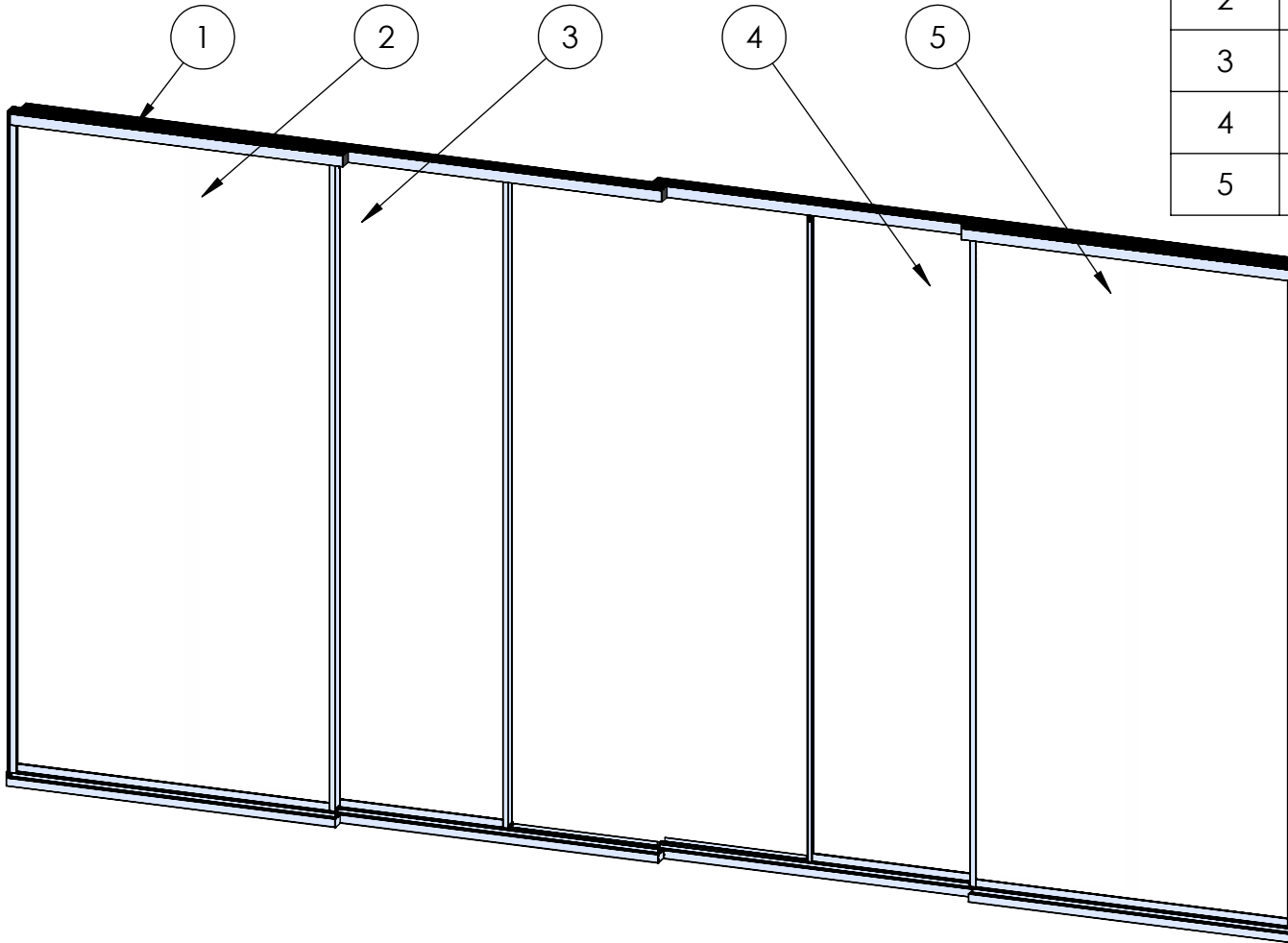


ASSEMBLY / PARTS LIST (B.O.M.)

Series: **EDGE | s |**
 Type: **OXIXO Configuration**

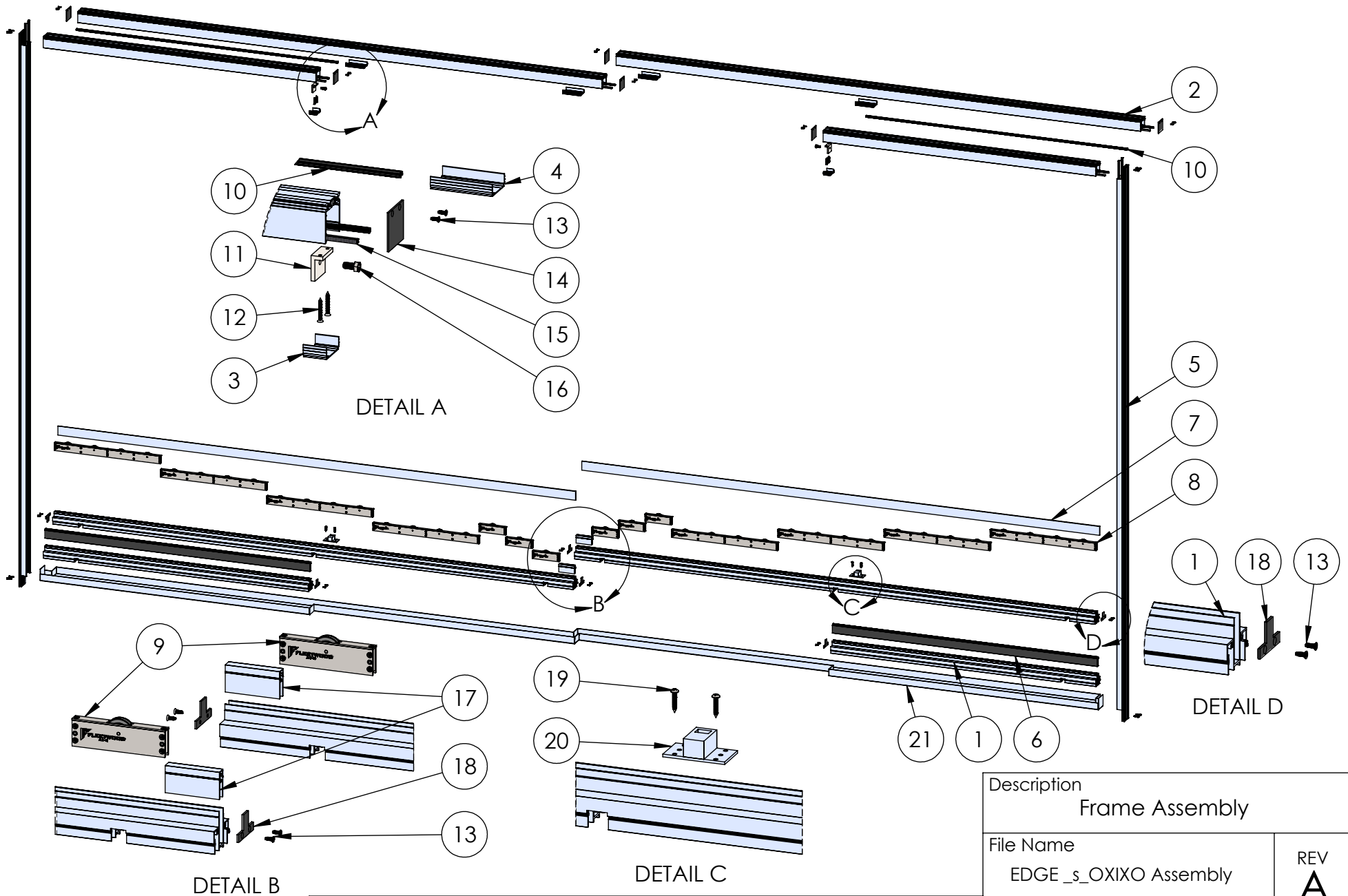
ITEM NO.	DESCRIPTION	QTY.	PAGE #
1	FRAME ASSEMBLY	1	2-3
2	O - PANEL 1 ASSEMBLY	1	4
3	X - PANEL 2 ASSEMBLY	1	5-6
4	X - PANEL 3 ASSEMBLY	1	7-8
5	O - PANEL 4 ASSEMBLY	1	9



Description Table of Contents	
File Name EDGE _s_ OXIXO Assembly	REV A
Released 1/11/2023	SHEET 1 OF 9

PROPRIETARY AND CONFIDENTIAL
 THE INFORMATION CONTAINED IN THIS DRAWING IS THE SOLE PROPERTY OF FLEETWOOD WINDOWS & DOORS.
 ANY REPRODUCTION IN PART OR AS A WHOLE WITHOUT THE WRITTEN PERMISSION OF FLEETWOOD WINDOWS & DOORS IS PROHIBITED.

ASSEMBLY / PARTS LIST (B.O.M.)



Description	
Frame Assembly	
File Name	REV
EDGE_s_OXIXO Assembly	A
Released	SHEET 2 OF 9
1/11/2023	

PROPRIETARY AND CONFIDENTIAL
THE INFORMATION CONTAINED IN THIS DRAWING IS THE SOLE PROPERTY OF FLEETWOOD WINDOWS & DOORS.
ANY REPRODUCTION IN PART OR AS A WHOLE WITHOUT THE WRITTEN PERMISSION OF FLEETWOOD WINDOWS & DOORS IS PROHIBITED.

ASSEMBLY / PARTS LIST (B.O.M.)

EXTRUSIONS

ITEM NO.	PART NUMBER	DESCRIPTION	QTY.
1	Es0003	Sill	4
2	Es0004	Head	4
3	Es0013	Head filler	2
4	Es0013	Anti-Lift	4
5	Es0016	Jamb	2
6	Es0019	Sheave Block	2
7	FW1201	Aluminum Flat Bar Slot Drain Spacer	2
HARDWARE			
8	See Table A	A4-E Sheave	Varies
9	See Table B	A1-E Sheave	Varies
10	25065	14.6mm x 10.2mm I-Strut	2
11	27018	Fixed Panel Bracket	2
12	20295	#10 FHP-A, 1-1/2", SS, Clear	4
13	20273	#10 FHP-B-UC, 1/2", SS, Black	24
14	26977	Head Cap	6
15	19118	Small Fin Seal	12
16	27022	3/8"-16, 3/4" Hex Head Bolt	2
17	27023	Sheave Spacer	2
18	26976	Sill Cap	6
19	20350	#10 PHP-A, 1", SS, Clear	12
20	26930	Archetype Blade Case	2
21	-	Arche-Duct	2

TABLE A: A4-E SHEAVE OPTIONS

COLOR	WHEEL COLOR	ID #
Black	Black	27168
Custom color		27169
Stainless Steel	Stainless Steel	27044
Custom color		27175

TABLE B: A1-E SHEAVE OPTIONS

COLOR	WHEEL COLOR	ID #
Black	Black	27171
Custom color		27170
Stainless Steel	Stainless Steel	27045
Custom color		27172

Description
Frame Assembly BOM

File Name
EDGE_s_OXIXO Assembly

REV
A

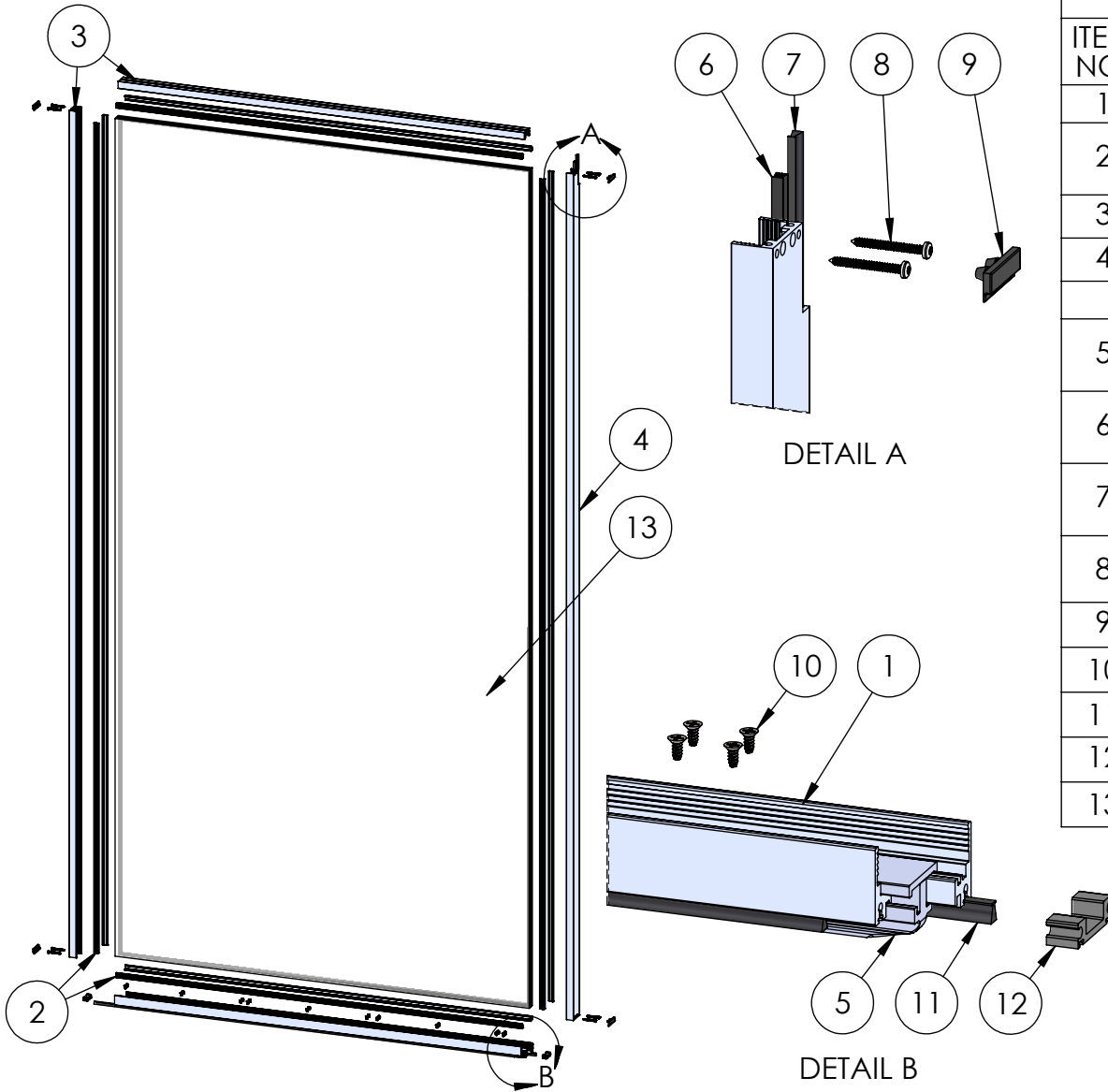
Released 1/11/2023

SHEET 3 OF 9

PROPRIETARY AND CONFIDENTIAL

THE INFORMATION CONTAINED IN THIS DRAWING IS THE SOLE PROPERTY OF FLEETWOOD WINDOWS & DOORS.
ANY REPRODUCTION IN PART OR AS A WHOLE WITHOUT THE WRITTEN PERMISSION OF FLEETWOOD WINDOWS & DOORS IS PROHIBITED.

ASSEMBLY / PARTS LIST (B.O.M.)



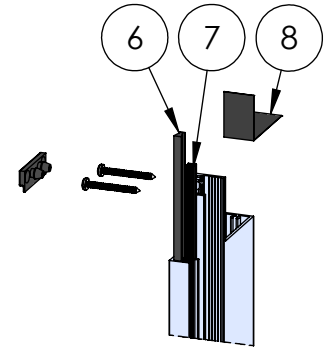
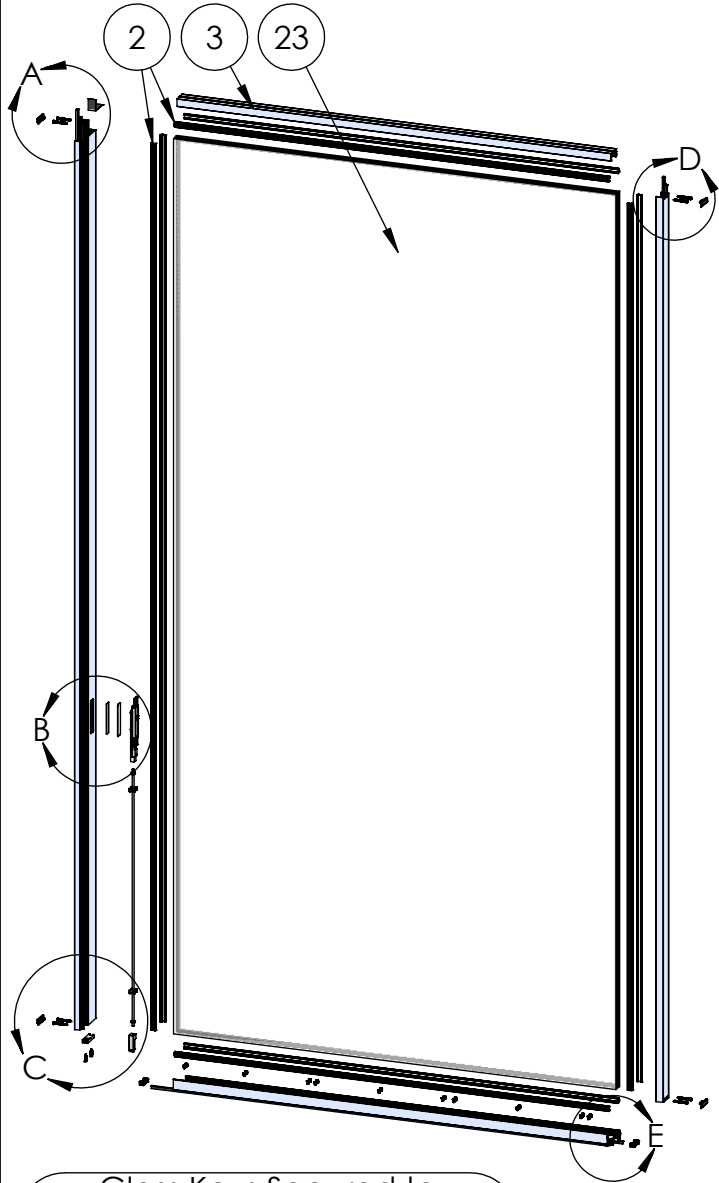
EXTRUSIONS			
ITEM NO.	PART NUMBER	DESCRIPTION	QTY.
1	Es0001	Bottom Rail	2
2	Es0002	Glass Key (1-1/4" Exact)	8
3	Es0007	Top Rail and Lead Stile	2
4	Es0009	Keep	1
HARDWARE			
5	26467	Archetype Keel (72" Max)	1
6	19117	Large Fin Seal Mohair (29027045BKGB)	1
7	27031	Large Fin Seal Mohair (50018745BKGB)	1
8	27021	#10 Torx Head, 1-3/4", SS, Clear	8
9	27017	Panel Bumper	4
10	25783	#8 FHP-B-UC, 3/8", SS	Varies
11	27314	Fin Seal Mohair	2
12	27016	Bottom Wipe Holder	2
13	-	1-1/4" Glass	1

Glass Keys Secured to Glass by Fleetwood, using 27091 Silkasil Sealant

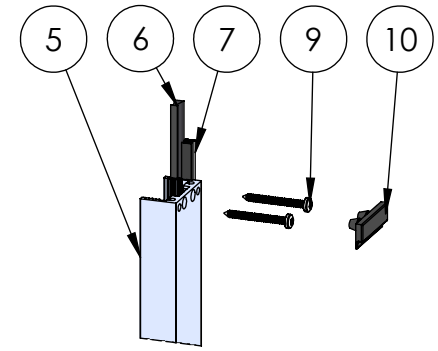
PROPRIETARY AND CONFIDENTIAL
THE INFORMATION CONTAINED IN THIS DRAWING IS THE SOLE PROPERTY OF FLEETWOOD WINDOWS & DOORS.
ANY REPRODUCTION IN PART OR AS A WHOLE WITHOUT THE WRITTEN PERMISSION OF FLEETWOOD WINDOWS & DOORS IS PROHIBITED.

Description O - Panel 1 Assembly	
File Name EDGE_s_OXIXO Assembly	REV A
Released 1/11/2023	SHEET 4 OF 9

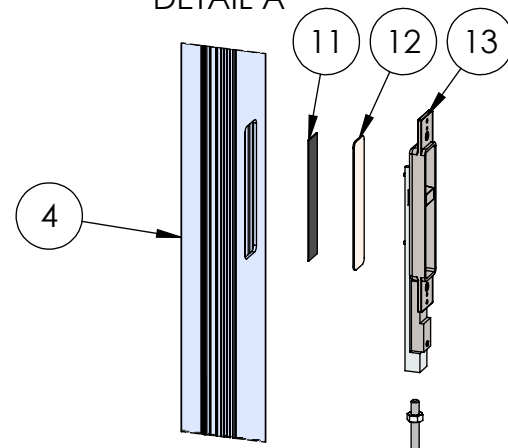
ASSEMBLY / PARTS LIST (B.O.M.)



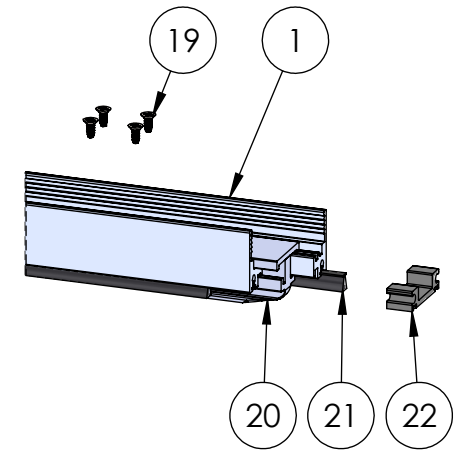
DETAIL A



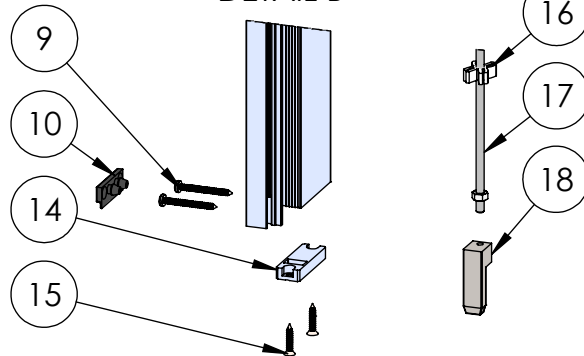
DETAIL D



DETAIL B



DETAIL E



DETAIL C

Glass Keys Secured to Glass by Fleetwood, using 27091 Silksil Sealant

PROPRIETARY AND CONFIDENTIAL
 THE INFORMATION CONTAINED IN THIS DRAWING IS THE SOLE PROPERTY OF FLEETWOOD WINDOWS & DOORS.
 ANY REPRODUCTION IN PART OR AS A WHOLE WITHOUT THE WRITTEN PERMISSION OF FLEETWOOD WINDOWS & DOORS IS PROHIBITED.

Description X - Panel 2 Assembly	
File Name EDGE_s_OXIXO Assembly	REV A
Released 1/11/2023	SHEET 5 OF 9

ASSEMBLY / PARTS LIST (B.O.M.)

EXTRUSIONS

ITEM NO.	PART NUMBER	DESCRIPTION	QTY.
1	Es0001	Bottom Rail	2
2	Es0002	Glass Key (1-1/4" Exact)	8
3	Es0007	Top Rail	1
4	Es0010	Fin Keep	1
5	Es0014	Reverse Keep	1

HARDWARE

6	27031	Large Fin Seal Mohair (50018745BKGB)	2
7	19117	Large Fin Seal Mohair (29027045BKGB)	2
8	27020	Top Rail Sticker - Fin	1
9	27021	#10 Torx Head, 1-3/4", SS, Clear	8
10	27017	Panel Bumper	4
11	25637	3M Double-Sided Foam tape	1
12	27095	Archetype Blade Backup Plate	1
13	26919, 26920	Archetype Blade Assembly (Clear, Black)	1
14	26922	Archetype Blade Shoot Bolt Guide	1
15	20293	#10 FHP-A, 1", SS, Clear	2
16	25566	Shoot Bolt Rod Guide (Spider)	2
17	26923	Archetype Blade Shoot Bolt Rod Assembly	1
18	26921	Archetype Blade Shoot Bolt Cap Assembly	1
19	25783	#8 FHP-B-UC, 3/8", SS	Varies
20	26467	Archetype Keel (72" Max)	1
22	27016	Bottom Wipe Holder	2
23	-	1-1/4" Glass	1

Description

X - Panel 2 Assembly BOM

File Name

EDGE_s_OXIXO Assembly

REV
A

Released

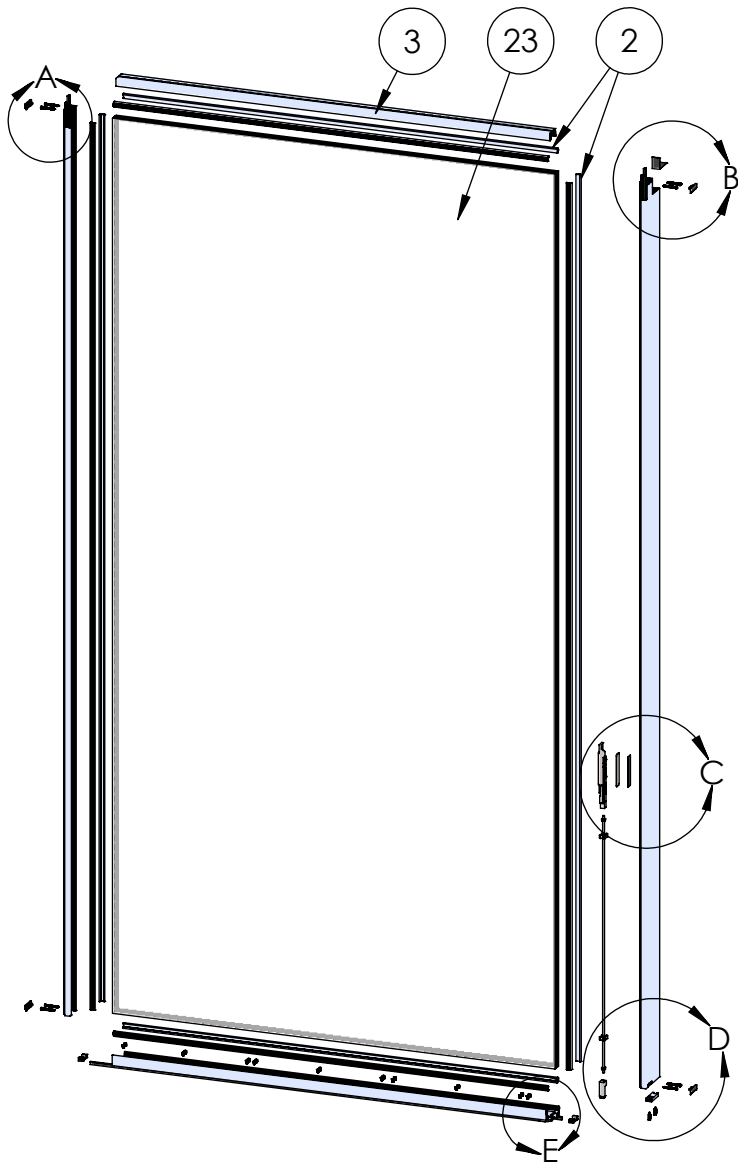
1/11/2023

SHEET 6 OF 9

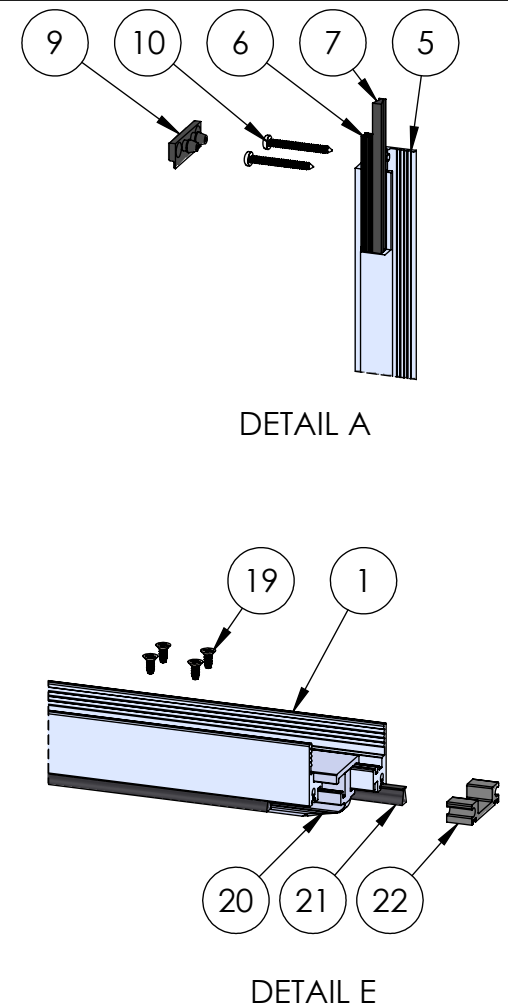
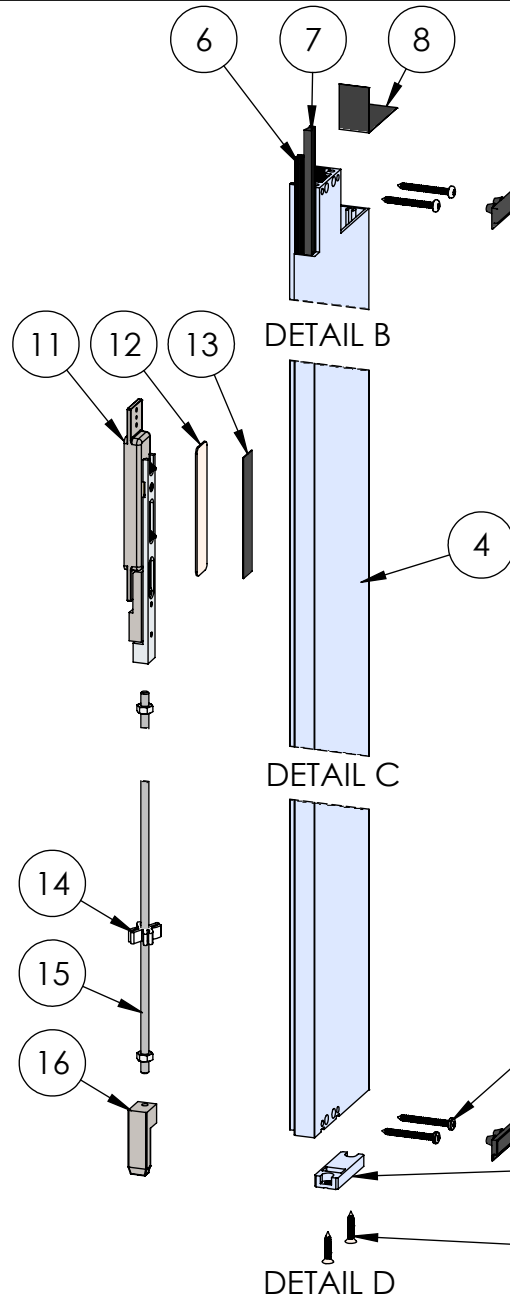
PROPRIETARY AND CONFIDENTIAL

THE INFORMATION CONTAINED IN THIS DRAWING IS THE SOLE PROPERTY OF FLEETWOOD WINDOWS & DOORS.
ANY REPRODUCTION IN PART OR AS A WHOLE WITHOUT THE WRITTEN PERMISSION OF FLEETWOOD WINDOWS & DOORS IS PROHIBITED.

ASSEMBLY / PARTS LIST (B.O.M.)



Glass Keys Secured to Glass by Fleetwood, using 27091 Silkasil Sealant



PROPRIETARY AND CONFIDENTIAL
THE INFORMATION CONTAINED IN THIS DRAWING IS THE SOLE PROPERTY OF FLEETWOOD WINDOWS & DOORS.
ANY REPRODUCTION IN PART OR AS A WHOLE WITHOUT THE WRITTEN PERMISSION OF FLEETWOOD WINDOWS & DOORS IS PROHIBITED.

Description X - Panel 3 Assembly	
File Name EDGE_s_OXIXO Assembly	REV A
Released 1/11/2023	SHEET 7 OF 9

ASSEMBLY / PARTS LIST (B.O.M.)

EXTRUSIONS

ITEM NO.	PART NUMBER	DESCRIPTION	QTY.
1	Es0001	Bottom Rail	2
2	Es0002	Glass Key (1-1/4" Exact)	8
3	Es0007	Top Rail	1
4	Es0010	Fin Keep	1
5	Es0014	Reverse Keep	1

HARDWARE

6	19117	Large Fin Seal Mohair (29027045BKGB)	2
7	27031	Large Fin Seal Mohair (50018745BKGB)	2
8	27020	Top Rail Sticker - Fin	1
9	27017	Panel Bumper	4
10	27021	#10 Torx Head, 1-3/4", SS, Clear	8
11	26919, 26920	Archetype Blade Assembly (Clear, Black)	1
12	27095	Archetype Blade Backup Plate	1
13	25637	3M Double-Sided Foam tape	1
14	25566	Shoot Bolt Rod Guide (Spider)	2
15	26923	Archetype Blade Shoot Bolt Rod Assembly	1
16	26921	Archetype Blade Shoot Bolt Cap Assembly	1
17	26922	Archetype Blade Shoot Bolt Guide	1
18	20293	#10 FHP-A, 1", SS, Clear	2
19	25783	#8 FHP-B-UC, 3/8", SS	Varies
20	26467	Archetype Keel (72" Max)	1
21	27314	Fin Seal Mohair	2
22	27016	Bottom Wipe Holder	2
23	-	1-1/4" Glass	1

Description
X - Panel 3 Assembly BOM

File Name
EDGE_s_OXIXO Assembly

REV
A

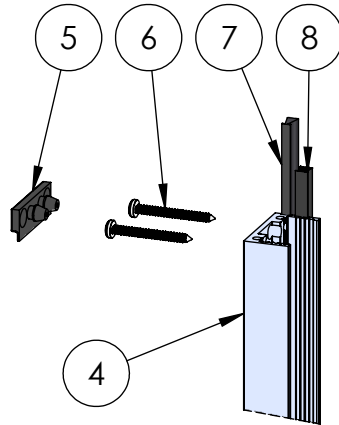
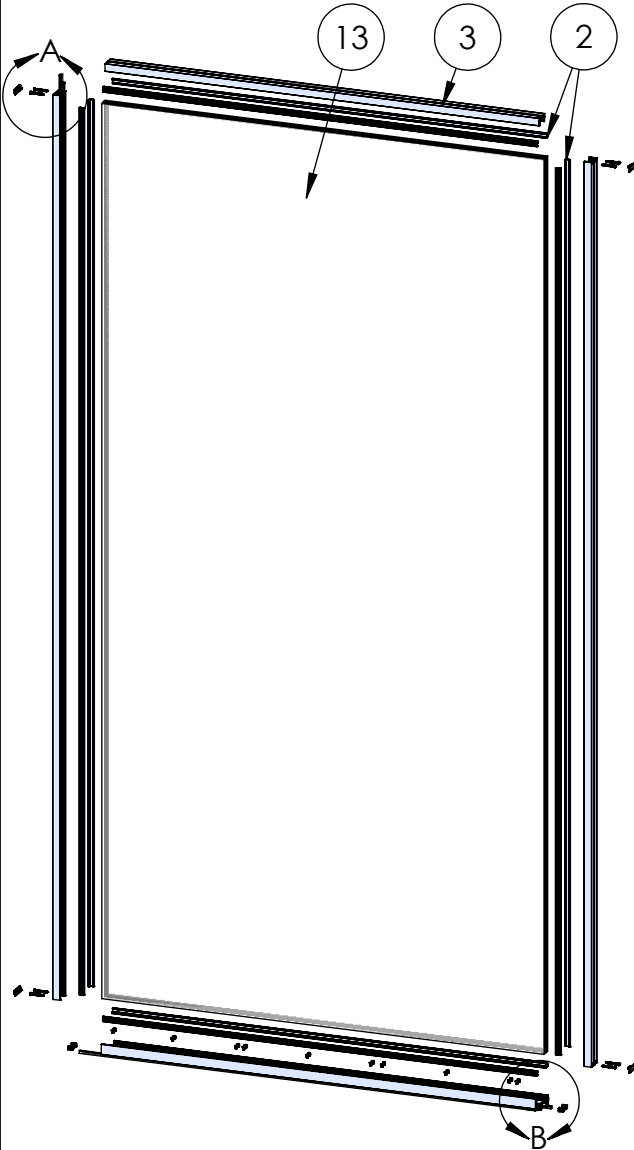
Released 1/11/2023

SHEET 8 OF 9

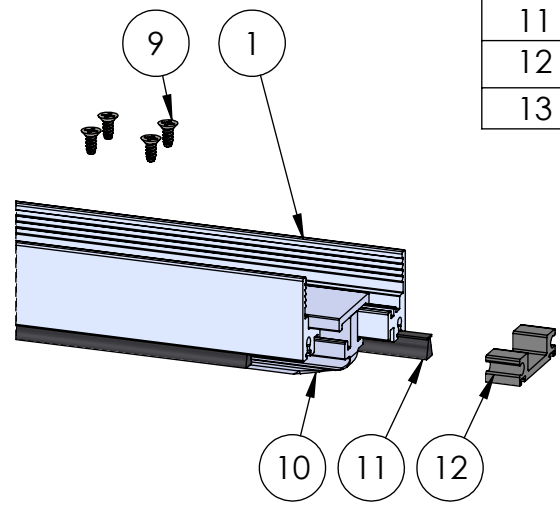
PROPRIETARY AND CONFIDENTIAL

THE INFORMATION CONTAINED IN THIS DRAWING IS THE SOLE PROPERTY OF FLEETWOOD WINDOWS & DOORS.
ANY REPRODUCTION IN PART OR AS A WHOLE WITHOUT THE WRITTEN PERMISSION OF FLEETWOOD WINDOWS & DOORS IS PROHIBITED.

ASSEMBLY / PARTS LIST (B.O.M.)



DETAIL A



DETAIL B

Glass Keys Secured to Glass by Fleetwood, using 27091 Silkasil Sealant

ITEM NO.	PART NUMBER	DESCRIPTION	QTY.
EXTRUSIONS			
1	Es0001	Bottom Rail	2
2	Es0002	Glass Key (1-1/4" Exact)	8
3	Es0007	Top Rail and Lead Stile	2
4	Es0009	Keep	1
HARDWARE			
5	27017	Panel Bumper	4
6	27021	#10 Torx Head, 1-3/4", SS, Clear	8
7	27031	Large Fin Seal Mohair (50018745BKGB)	1
8	19117	Large Fin Seal Mohair (29027045BKGB)	1
9	25783	#8 FHP-B-UC, 3/8", SS	Varies
10	26467	Archetype Keel (72" Max)	1
11	27314	Fin Seal Mohair	2
12	27016	Bottom Wipe Holder	2
13	-	1-1/4" Glass	1

Description O - Panel 4 Assembly	
File Name EDGE_s_OXIXO Assembly	REV A
Released 1/11/2023	SHEET 9 OF 9