

ASSEMBLY / PARTS LIST (B.O.M.)

Series: 4400-T

Type: H Configuration with Rixson Closer and 5-Point Latch

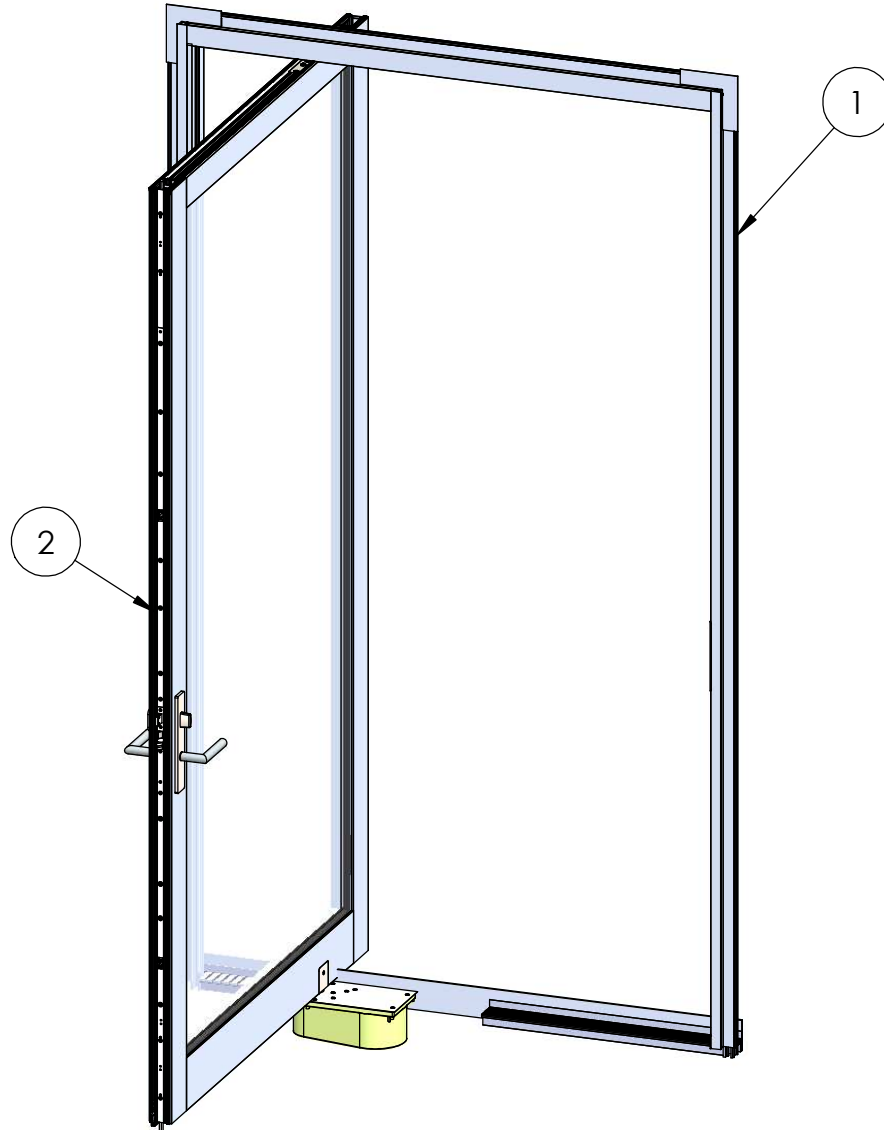


Table of Contents

ITEM NO.	DESCRIPTION	PAGE #
1	Frame Assembly	2-3
2	Panel Assembly	4-5
3	Tables	6

Description
 Table of Contents

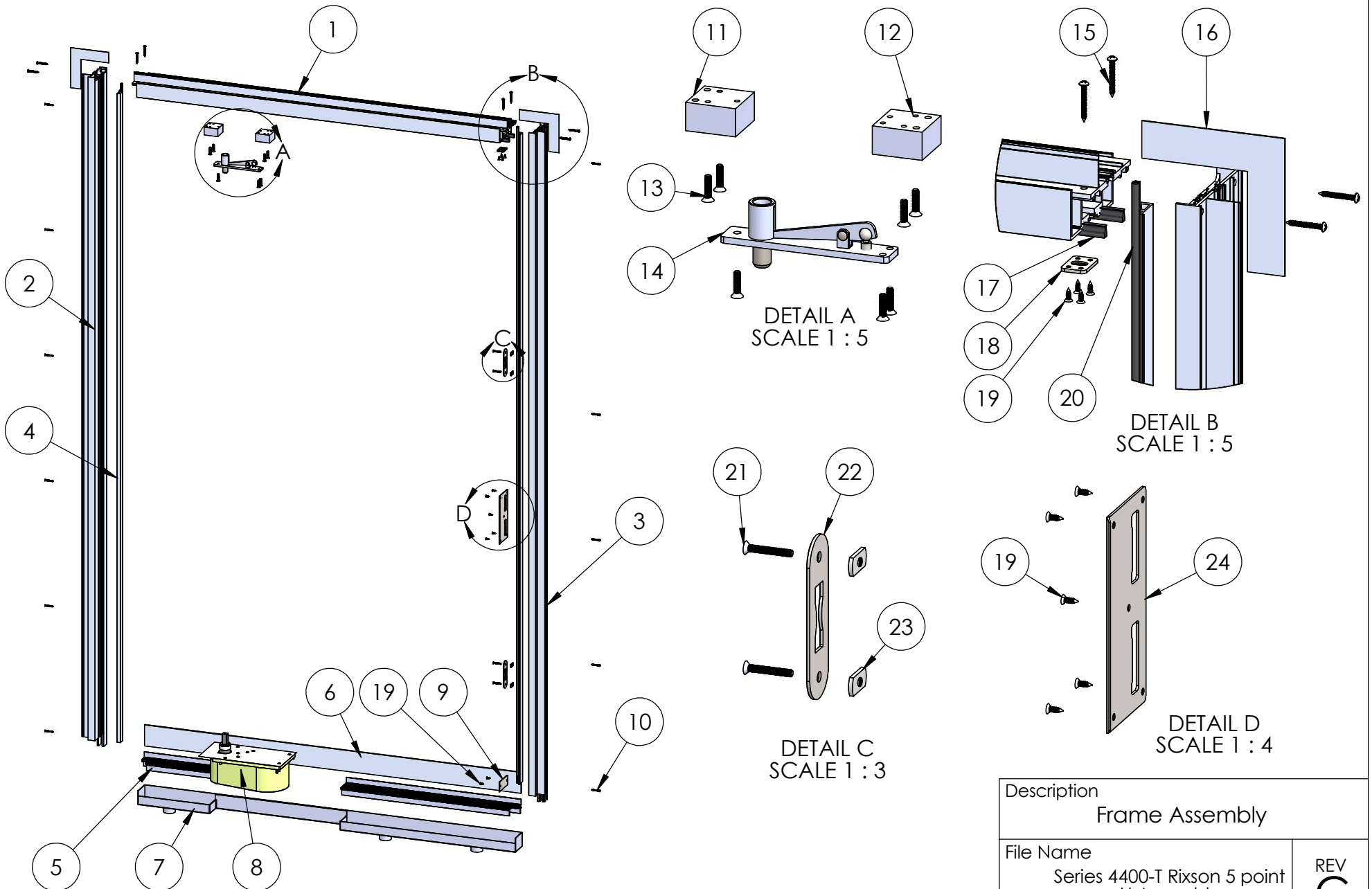
File Name
 Series 4400-T Rixson 5 point
 H Assembly

REV
C

Released 12/12/2022

SHEET 1 OF 6

ASSEMBLY / PARTS LIST (B.O.M.)



PROPRIETARY AND CONFIDENTIAL
THE INFORMATION CONTAINED IN THIS DRAWING IS THE SOLE PROPERTY OF FLEETWOOD WINDOWS & DOORS.
ANY REPRODUCTION IN PART OR AS A WHOLE WITHOUT THE WRITTEN PERMISSION OF FLEETWOOD WINDOWS & DOORS IS PROHIBITED.

Description Frame Assembly	
File Name Series 4400-T Rixson 5 point H Assembly	REV C
Released 12/12/2022	SHEET 2 OF 6

ASSEMBLY / PARTS LIST (B.O.M.)

Extrusions

ITEM NO.	PART NUMBER	DESCRIPTION	QTY.
1	4401	Head	1
2	4402	Pivot Jamb	1
3	4402	Active Jamb	1
4	4410	Panel Stops	2
5	4411	Sill	2
6	FW1201	Slot Drain Spacer	1

Hardware

ITEM NO.	PART NUMBER	DESCRIPTION	QTY.
7	-	Arche-Duct	1
8	See Table A	Rixson Floor Closer	1
9	26345	Bottom Weep Strike Plate- One Way	1
10	25751	#6 FHP-A, 1.25", SS, Clear	VARIABLES
11	26324	Head Pivot Block 1 of 2	1
12	26370	Head Pivot Block 2 of 2	1
13	26325	1/4"-20 Torx FH Screw, 1"	7
14	26476	Top Pivot (Head Portion)	1
15	20353	#10 PHP-A Screw, 1.5"	8

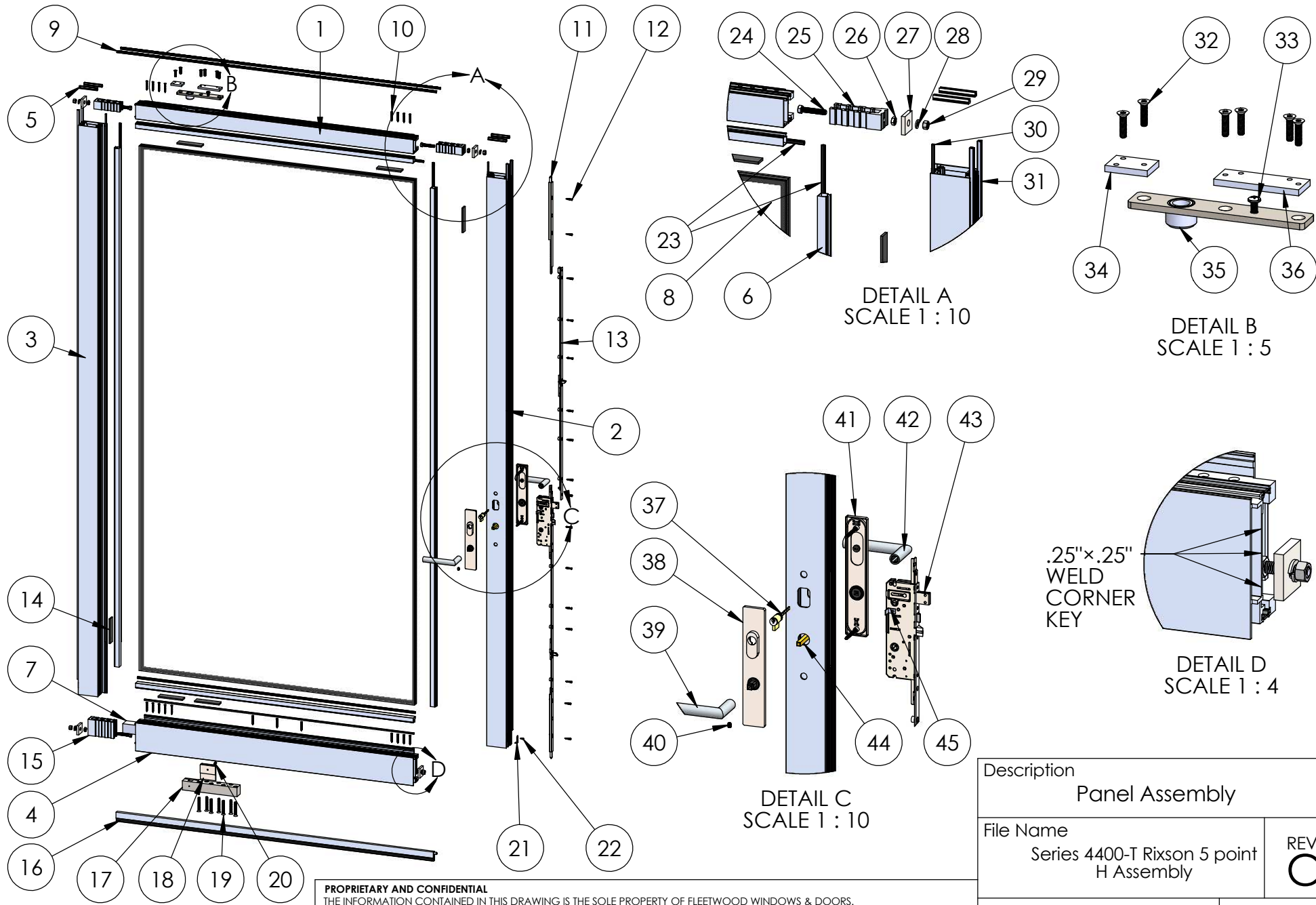
Hardware

ITEM NO.	PART NUMBER	DESCRIPTION	QTY.
16	18629	Nail-Fin Corner (For Nail-Fin Door)	2
17	27031	Large Fin Seal Mohair	2
18	26341	Shoot Bolt Strike Plate	1
19	20240	#8 FHP-A-UC, 1/2", SS, Clear	11
20	26410	Extra Large Bulb Vinyl	2
21	25343	#8-32 FHP Screw, 1.125"	4
22	27056	Jamb Hook Strike	2
23	27246	Low-Profile Narrow-Base Weld Nut	4
24	26321	Latch-Deadbolt Strike Plate	1

PROPRIETARY AND CONFIDENTIAL
THE INFORMATION CONTAINED IN THIS DRAWING IS THE SOLE PROPERTY OF FLEETWOOD WINDOWS & DOORS.
ANY REPRODUCTION IN PART OR AS A WHOLE WITHOUT THE WRITTEN PERMISSION OF FLEETWOOD WINDOWS & DOORS IS PROHIBITED.

Description Frame B.O.M.	
File Name Series 4400-T Rixson 5 point H Assembly	REV C
Released 12/12/2022	SHEET 3 OF 6

ASSEMBLY / PARTS LIST (B.O.M.)



PROPRIETARY AND CONFIDENTIAL
THE INFORMATION CONTAINED IN THIS DRAWING IS THE SOLE PROPERTY OF FLEETWOOD WINDOWS & DOORS.
ANY REPRODUCTION IN PART OR AS A WHOLE WITHOUT THE WRITTEN PERMISSION OF FLEETWOOD WINDOWS & DOORS IS PROHIBITED.

Description	
Panel Assembly	
File Name	REV
Series 4400-T Rixson 5 point H Assembly	C
Released	SHEET 4 OF 6
12/12/2022	

ASSEMBLY / PARTS LIST (B.O.M.)

Extrusions			
ITEM NO.	PART NUMBER	DESCRIPTION	QTY.
1	4404	Top Rail	1
2	4407	Multipoint Stile	1
3	4408	Pivot Stile	1
4	4412	Bottom Rail	1
5	3916	Seal Clips (3")	4
6	3907	1" Glass Stop (Shown)	4
7	FW1214	1.5"×1.5"×.188" Tube, 24"	1
Hardware			
ITEM NO.	PART NUMBER	DESCRIPTION	QTY.
8	-	Glass	1
9	19122	Weatherstrip Mohair	2
10	20252	#8 FHP Screw, 1.50"	20
11	25054	Shoot bolt	1
12	20247	#8 FHP Screw, 1"	Varies
13	See Table B	Upper Bar Assembly	1
14	27313	Setting Block 4" x 3/16" x 1"	6
15	26303	Corner Block, 2.625"	2
16	See Table C	Sweep	1
17	24859	Rixson 587 Side Load Arm Assembly Set	1
18	26337, 27234	Rixson Load Arm Cover (SS, BL)	1
19	26331	5/16"-18 FHP Screw , 2.250"	7
20	26414	#8-32 FH Torx Screw, 0.5"	1
21	27117	13mm Drop-Down Sweep Clips - Set	1
22	20887	#6 FHP-A-UC Screw, 0.5" (SS)	2
23	25031	Large Bulb Vinyl	4
24	25203	Hex Head Cap Screw 3/8"-16, 2.0"	4
25	25571	Corner Block, 1.25"	2

Hardware			
ITEM NO.	PART NUMBER	DESCRIPTION	QTY.
26	25176	.375"-16 Stainless Steel Hex Nut, .5625" Wt, .218" Ht	4
27	25025	Back up Plate for Panel	4
28	25024	.375" Split Lock Washer	4
29	25023	3/8"-16 Stainless Steel Hex Nut	4
30	25199	Mini Bulb Vinyl	4
31	19115	Large Mohair	4
32	26325	1/4"-20 Torx FH Screw, 1"	6
33	20357	#1/4-20 PHP - B, 1/2", SS, Clear	1
34	26328	Top Rail Plate 1 of 2	1
35	26476	Top Pivot (Panel Portion)	1
36	26329	Top Rail Plate 2 of 2	1
37	25063	Rim Cylinder	1
38	26204, 26207	Escutcheon plate w/ Cylinder Collar (S.S., Black))	1
39	26190, 26192	FSB 1076 Lever LH (SS, Black)	1
40	26318	Cup-Point Set Screw M6 x 1 mm, 8 mm	2
41	26205, 26208	Escutcheon plate w/ Thumbturn & Fasteners (SS, BL)	1
42	26189, 26191	FSB 1076 Lever RH (SS, Black)	1
43	27048	Active Lower Gear Assembly	1
44	26195	Spindle	1
45	25187	L-Clip	1

Description	
Panel B.O.M.	
File Name	REV
Series 4400-T Rixson 5 point H Assembly	C
Released	SHEET 5 OF 6
12/12/2022	

ASSEMBLY / PARTS LIST (B.O.M.)

TABLE A: Rixson Floor Closer Options

Pivot Location	Swing	Degrees	ID
Left	Inswing	105	25625
		90	25626
	Outswing	105	25627
		90	25628
Right	Inswing	105	25627
		90	25628
	Outswing	105	25625
		90	25626
Any	Dual	105	25629
		90	25631
Pivot Only		360	24987

Table B: Active Upper Bar Assembly Height

Panel Height	Component Number	Screw/QTY.
71"-73"	27049	6
73.0625"-81.1875"	27050	6
81.25"-89"	27051	7
89.0625"-97"	27052	8
97.0625"-105"	27053	9
105.0625"-112.9375"	27054	10
113"	27054, 25046	15
113.0625"-121"	27052, 25046	13
121.0625"-129"	27053, 25046	14
129.0625"-135"	27054, 25046	15

TABLE C: Sweep Size

TABLE C: Sweep Size

Panel Width	ID	Panel Width	ID
≤37.75"	26381	98.875" - 103.5"	26768
37.8125" - 42.6875"	26380	103.5625" - 108.25"	26769
42.75" - 47.375"	26379	108.3125" - 113"	26770
47.4375" - 52.5"	26378	113.0625" - 117.6875"	26771
52.5625" - 57.5625"	26377	117.75" - 122.375"	26772
57.625" - 62.0625"	26311	122.4375" - 127.1875"	26773
62.125" - 66.6875"	26047	127.25" - 131.875"	26774
66.75" - 71.6875"	26374	131.9375" - 136.5625"	26775
71.75" - 76.375"	26375	136.625" - 141.25"	26776
76.4375" - 81.0625"	26387	141.3125" - 146.0625"	26777
81.125" - 85.75"	26388	146.125" - 150.75"	26778
85.8125" - 90.5625"	26389	150.8125" - 155.5"	26779
90.625" - 94"	26450	155.5" - 160"	26780
94.0625" - 98.8125"	26474	MAX SWEEP LENGTH IS 160"	

Description

Tables

File Name

Series 4400-T Rixson 5 point
H Assembly

REV
C

Released

12/12/2022

SHEET 6 OF 6

PROPRIETARY AND CONFIDENTIAL

THE INFORMATION CONTAINED IN THIS DRAWING IS THE SOLE PROPERTY OF FLEETWOOD WINDOWS & DOORS.
ANY REPRODUCTION IN PART OR AS A WHOLE WITHOUT THE WRITTEN PERMISSION OF FLEETWOOD WINDOWS & DOORS IS PROHIBITED.