

ASSEMBLY / PARTS LIST (B.O.M.)

Series: 4400-T

Type: H Configuration with IRC and Archetype Latch

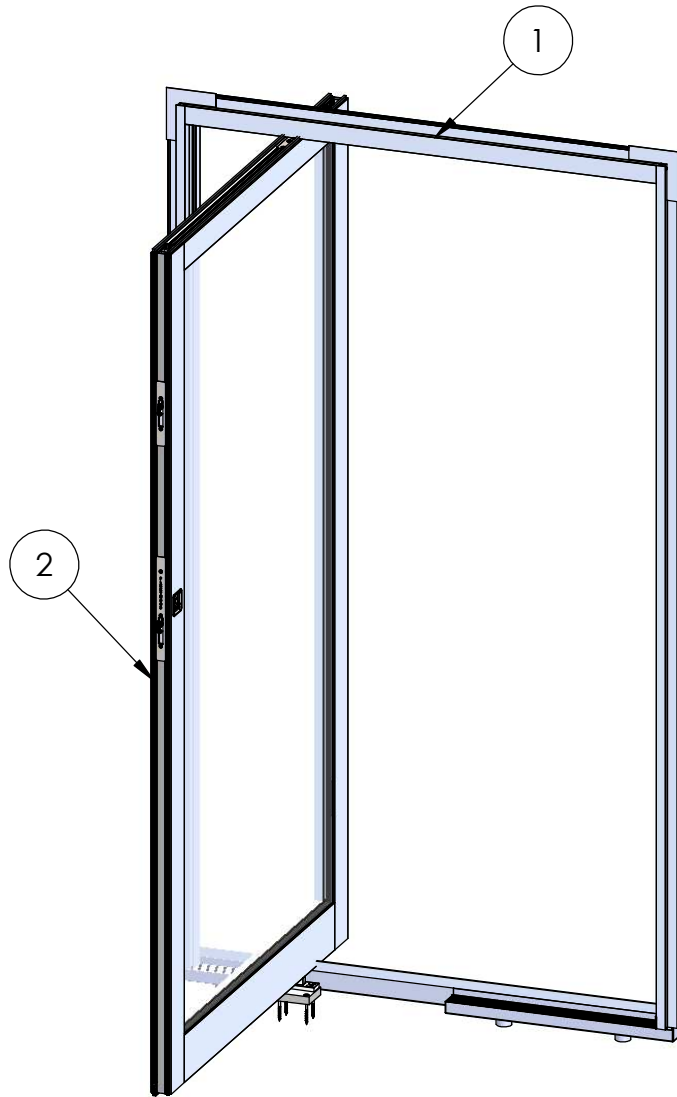


TABLE OF CONTENTS

| ITEM NO. | DESCRIPTION | QTY. | PAGE # |
|----------|----------------|------|--------|
| 1 | Frame Assembly | 1 | 2-3 |
| 2 | Panel Assembly | 1 | 4-5 |
| 3 | Tables | 1 | 6 |

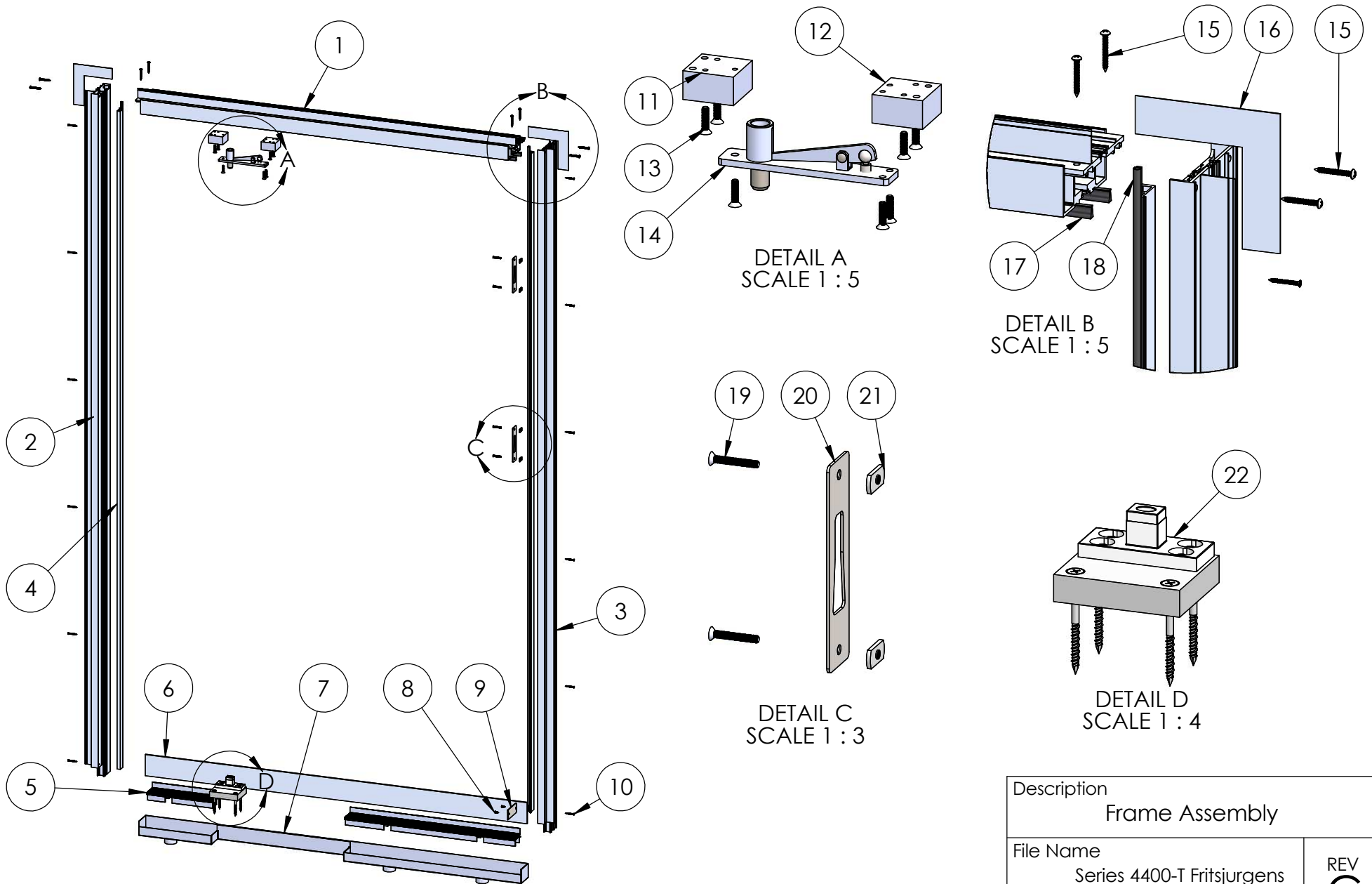
NOTE:

1.) Secondary latch only when net frame height ≥ 96 "

PROPRIETARY AND CONFIDENTIAL
THE INFORMATION CONTAINED IN THIS DRAWING IS THE SOLE PROPERTY OF FLEETWOOD WINDOWS & DOORS.
ANY REPRODUCTION IN PART OR AS A WHOLE WITHOUT THE WRITTEN PERMISSION OF FLEETWOOD WINDOWS & DOORS IS PROHIBITED.

| | |
|---|-----------------|
| Description Table of Contents | |
| File Name Series 4400-T Fritsjurgens Archetype H Assembly | REV C |
| Released 12/12/2022 | SHEET 1 OF 6 |

ASSEMBLY / PARTS LIST (B.O.M.)



PROPRIETARY AND CONFIDENTIAL
THE INFORMATION CONTAINED IN THIS DRAWING IS THE SOLE PROPERTY OF FLEETWOOD WINDOWS & DOORS.
ANY REPRODUCTION IN PART OR AS A WHOLE WITHOUT THE WRITTEN PERMISSION OF FLEETWOOD WINDOWS & DOORS IS PROHIBITED.

| | |
|---|--------------|
| Description Frame Assembly | |
| File Name Series 4400-T Fritsjurgens Archetype H Assembly | REV C |
| Released 12/12/2022 | SHEET 2 OF 6 |

ASSEMBLY / PARTS LIST (B.O.M.)

Extrusions

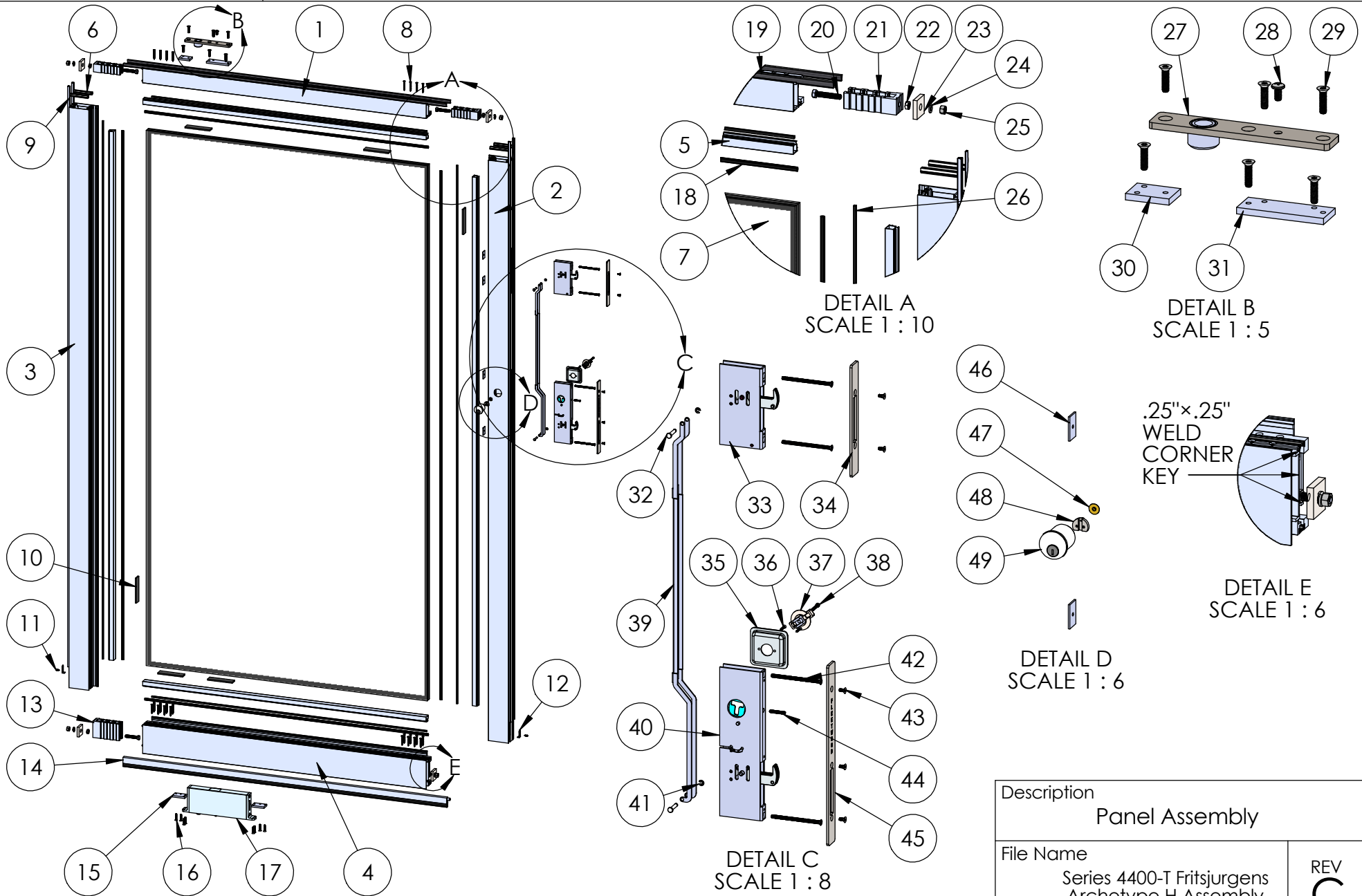
| ITEM NO. | PART NUMBER | DESCRIPTION | QTY. |
|----------|-------------|-------------------|------|
| 1 | 4401 | Head | 1 |
| 2 | 4402 | Pivot Jamb | 1 |
| 3 | 4402 | Strike Jamb | 1 |
| 4 | 4410 | Panel Stops | 2 |
| 5 | 4411 | Sill | 1 |
| 6 | FW1201 | Slot Drain Spacer | 1 |

Hardware

| ITEM NO. | PART NUMBER | DESCRIPTION | QTY. |
|----------|-------------|---|------|
| 7 | - | Arche-Duct | 1 |
| 8 | 20240 | #8 FHP-A-UC, 1/2", SS, Clear | 2 |
| 9 | 26345 | Bottom Weep Strike Plate- One Way | 1 |
| 10 | 25751 | #6 FHP-A, 1.25", SS, Clear | 12 |
| 11 | 26324 | Head Pivot Block 1 of 2 | 1 |
| 12 | 26370 | Head Pivot Block 2 of 2 | 1 |
| 13 | 26325 | 1/4"-20 Torx FH Screw, 1" | 7 |
| 14 | 26476 | Top Pivot (Head Portion) | 1 |
| 15 | 20353 | #10 PHP-A Screw, 1.5" | 8 |
| 16 | 18629 | Nail-Fin Corner (For Nail-Fin Door) | 2 |
| 17 | 27031 | Large Fin Seal Mohair | 2 |
| 18 | 26410 | Extra Large Bulb Vinyl | 2 |
| 19 | 25343 | #8-32 FHP Screw, 1.125" | 4 |
| 20 | 26327 | Archetype Latch Strike Plate | 2 |
| 21 | 27246 | Low-Profile Narrow-Base Weld Nut | 4 |
| 22 | 27122 | In-Rail Closer Floor Plate Assembly - (Table D) | 1 |

| | |
|---|-----------------|
| Description Frame B.O.M. | |
| File Name Series 4400-T Fritsjurgens Archetype H Assembly | REV C |
| Released 12/12/2022 | SHEET 3 OF 6 |

ASSEMBLY / PARTS LIST (B.O.M.)



PROPRIETARY AND CONFIDENTIAL
THE INFORMATION CONTAINED IN THIS DRAWING IS THE SOLE PROPERTY OF FLEETWOOD WINDOWS & DOORS.
ANY REPRODUCTION IN PART OR AS A WHOLE WITHOUT THE WRITTEN PERMISSION OF FLEETWOOD WINDOWS & DOORS IS PROHIBITED.

| | |
|--|--------------|
| Description | |
| Panel Assembly | |
| File Name | REV |
| Series 4400-T Fritsjurgens Archetype H Assembly | C |
| Released | SHEET 4 OF 6 |
| 12/12/2022 | |

ASSEMBLY / PARTS LIST (B.O.M.)

Extrusions

| ITEM NO. | PART NUMBER | DESCRIPTION | QTY. |
|----------|-------------|-----------------------|------|
| 1 | 4404 | Top Rail | 1 |
| 2 | 4408 | Lock Stile | 1 |
| 3 | 4408 | Pivot Stile | 1 |
| 4 | 4412 | Bottom Rail | 1 |
| 5 | 3907 | 1" Glass Stop (Shown) | 2 |
| 6 | 3916 | Seal Clips (3") | 4 |

Hardware

| ITEM NO. | PART NUMBER | DESCRIPTION | QTY. |
|----------|--------------|---|------|
| 7 | - | Glass | 1 |
| 8 | 20252 | #8 FHP Screw, 1.50" | 24 |
| 9 | 19115 | Large Mohair | 4 |
| 10 | 27313 | Setting Block 4" x 3/16" x 1" | 6 |
| 11 | 20887 | #6 FHP-A-UC Screw, 0.5" (SS) | 2 |
| 12 | 27117 | 13mm Drop-Down Sweep Clips - Set | 2 |
| 13 | 26303 | Corner Block, 2.625" | 2 |
| 14 | See Table C | Sweep | 1 |
| 15 | 26330 | Fritsjurgens Closer Back-up Plate | 2 |
| 16 | 25488, 25489 | #10-32 Torx Flat Head Screw, 1" (SS, BL) | 8 |
| 17 | 26310 | Bottom Pivot Fritsjurgens | 1 |
| 18 | 25031 | Large Bulb Vinyl | 2 |
| 19 | 27031 | Large Fin Seal Mohair | 2 |
| 20 | 25203 | Hex Head Cap Screw 3/8"-16, 2.0" | 4 |
| 21 | 25571 | Corner Block, 1.25" | 2 |
| 22 | 25176 | .375"-16 Stainless Steel Hex Nut, .5625" Wt, .218" Ht | 4 |
| 23 | 25025 | Back up Plate for Panel | 4 |
| 24 | 25024 | .375" Split Lock Washer | 4 |
| 25 | 25023 | 3/8"-16 Stainless Steel Hex Nut | 4 |
| 26 | 25199 | Mini Bulb Vinyl | 2 |
| 27 | 26476 | Top Pivot (Panel Portion) | 1 |
| 28 | 20357 | #1/4-20 PHP - B, 1/2", SS, Clear | 1 |
| 29 | 26325 | 1/4"-20 Torx FH Screw, 1" | 6 |

Hardware

| ITEM NO. | PART NUMBER | DESCRIPTION | QTY. |
|----------|--------------|--|------|
| 30 | 26328 | Top Rail Plate 1 of 2 | 1 |
| 31 | 26329 | Top Rail Plate 2 of 2 | 1 |
| 32 | 24128 | Archetype, Grooved Clevis Pin | 2 |
| 33 | 24082 | Archetype Secondary Latch | 1 |
| 34 | 26686 | Archetype Secondary Latch Faceplate, (Thermal) | 1 |
| 35 | 24765 | Archetype Actuator Pocket, OX, SS | 1 |
| 36 | 26376 | #4-40 FHP Screw, .5625" | 2 |
| 37 | 26384, 26385 | Archetype Actuator Assembly (BL, SS) | 1 |
| 38 | 25328, 25329 | #6-32 Socket Head Cap Screw, 7/8", (BL, SS) | 1 |
| 39 | 26373 | Archetype Secondary Latch Linkage | 1 |
| 40 | 24070, 24077 | Archetype Latch (OX, XO) (Table B) | 1 |
| 41 | 24129 | E-Style Retaining Ring | 2 |
| 42 | 26752 | #10-32 FHP-B Screw, 3.188" | 4 |
| 43 | 24076 | #8-32 FH Socket Cap Screw, 3/8", SS | 5 |
| 44 | 24935 | #8-32 Set Screw, 1in. | 1 |
| 45 | 26685 | Archetype Latch Faceplate, (Thermal) | 1 |
| 46 | 18671 | Back Up Plate # 10-32 x 0.075 Thk. | 4 |
| 47 | 24781 | Archetype Key Cylinder Bushing | 1 |
| 48 | 24780 | Cam | 1 |
| 49 | See Table A | Archetype Narrow KA Cylinder Set (Silver, Black, Stainless Steel) & KD Cylinder Set (Silver, Black, Stainless Steel) | 1 |

Description

Panel B.O.M.

File Name

Series 4400-T Fritsjurgens
Archetype H Assembly

REV
C

Released 12/12/2022

SHEET 5 OF 6

PROPRIETARY AND CONFIDENTIAL

THE INFORMATION CONTAINED IN THIS DRAWING IS THE SOLE PROPERTY OF FLEETWOOD WINDOWS & DOORS.
ANY REPRODUCTION IN PART OR AS A WHOLE WITHOUT THE WRITTEN PERMISSION OF FLEETWOOD WINDOWS & DOORS IS PROHIBITED.

ASSEMBLY / PARTS LIST (B.O.M.)

TABLE A: Key Cylinder Options

| Keyed | Color | ID |
|-----------|-----------|-------|
| Alike | Black | 25771 |
| | Stainless | 25773 |
| Different | Black | 25772 |
| | Stainless | 25774 |

TABLE B: Actuator Options

| Pivot Location | Latch ID | Color | Pocket ID | Thumbturn ID | Screw ID |
|----------------|----------|-----------|-----------|--------------|----------|
| Left | 24070 | Black | 24080 | 26384 | 25328 |
| | | Stainless | 24765 | 26385 | 25329 |
| Right | 24077 | Black | 24081 | 26384 | 25328 |
| | | Stainless | 24767 | 26385 | 25329 |

TABLE C: Sweep Size

| Panel Width | ID | 98.875" - 103.5" | 26768 |
|---------------------|-------|--------------------------|-------|
| ≤37.75" | 26381 | 103.5625" - 108.25" | 26769 |
| 37.8125" - 42.6875" | 26380 | 108.3125" - 113" | 26770 |
| 42.75" - 47.375" | 26379 | 113.0625" - 117.6875" | 26771 |
| 47.4375" - 52.5" | 26378 | 117.75" - 122.375" | 26772 |
| 52.5625" - 57.5625" | 26377 | 122.4375" - 127.1875" | 26773 |
| 57.625" - 62.0625" | 26311 | 127.25" - 131.875" | 26774 |
| 62.125" - 66.6875" | 26047 | 131.9375" - 136.5625" | 26775 |
| 66.75" - 71.6875" | 26374 | 136.625" - 141.25" | 26776 |
| 71.75" - 76.375" | 26375 | 141.3125" - 146.0625" | 26777 |
| 76.4375" - 81.0625" | 26387 | 146.125" - 150.75" | 26778 |
| 81.125" - 85.75" | 26388 | 150.8125" - 155.5" | 26779 |
| 85.8125" - 90.5625" | 26389 | 155.5" - 160" | 26780 |
| 90.625" - 94" | 26450 | MAX SWEEP LENGTH IS 160" | |
| 94.0625" - 98.8125" | 26474 | | |

TABLE D: 27122 In-Rail Closer Floor Plate Assembly Components

| PART # | DESCRIPTION | QTY. |
|--------|---|---------------|
| 27104 | In-Rail Closer Floor Plate Base - 4400-T | 1 (Per 27122) |
| 27119 | In-Rail Closer Floor Plate Top Component - 4400-T | 1 (Per 27122) |
| 27121 | #1/4-20 Flanged Button Head Screw | 4 (Per 27122) |
| 27196 | 1/4 FHP Concrete, Block Screw, 3.25" Long | 4 (Per 27122) |

Description

Tables

File Name

Series 4400-T Fritsjurgens
Archetype H Assembly

REV
C

Released 12/12/2022

SHEET 6 OF 6

PROPRIETARY AND CONFIDENTIAL

THE INFORMATION CONTAINED IN THIS DRAWING IS THE SOLE PROPERTY OF FLEETWOOD WINDOWS & DOORS.
ANY REPRODUCTION IN PART OR AS A WHOLE WITHOUT THE WRITTEN PERMISSION OF FLEETWOOD WINDOWS & DOORS IS PROHIBITED.