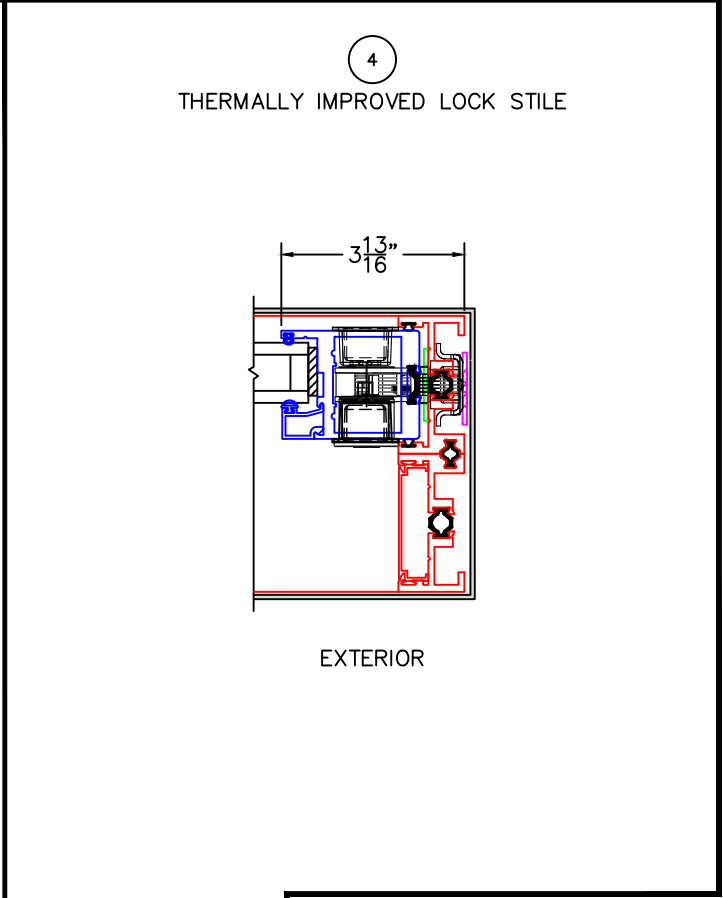
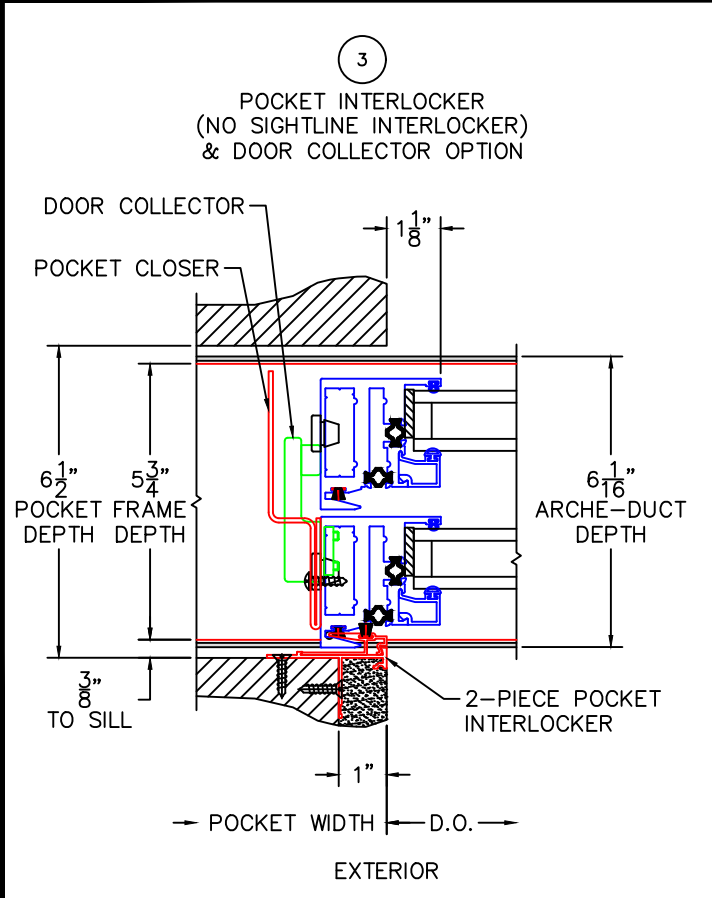
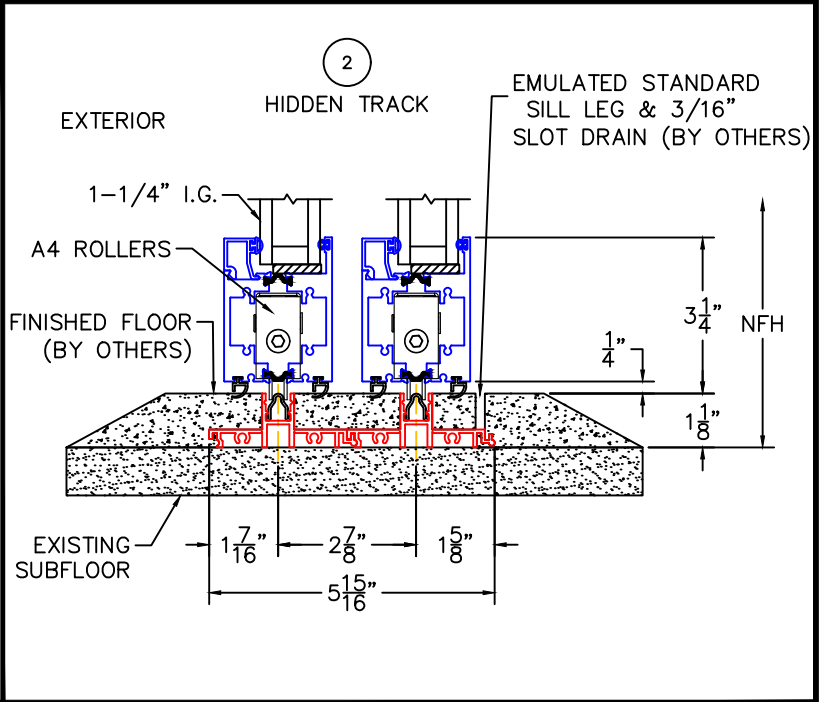
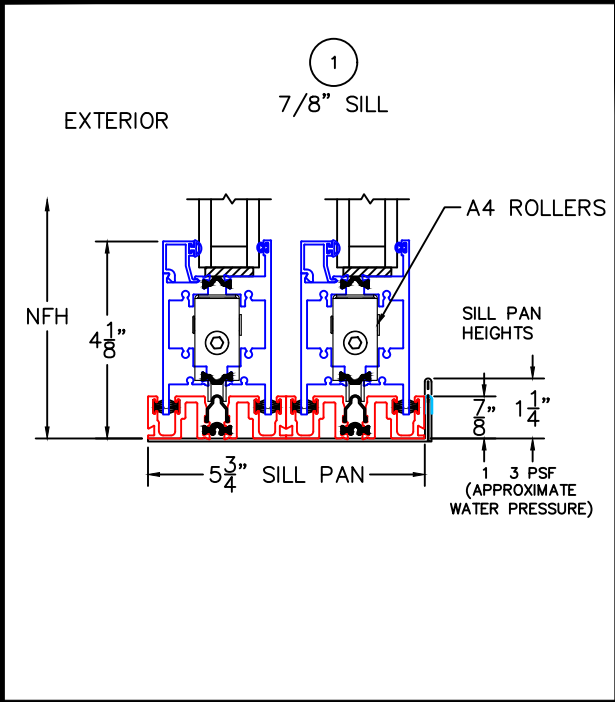




OPTIONS AND UPGRADES

(USE RULER TO SCALE DIMENSIONS IN INCHES)  
**SCALE: 1/4**



-SHOWROOM SILL NOT DESIGNED FOR WEATHER PERFORMANCE.  
-GLASS PENETRATION = 9/16"