

# ASSEMBLY / PARTS LIST (B.O.M.)

**Series: 3900-T**  
**Type: OO/HO Narrow Style Outswing**

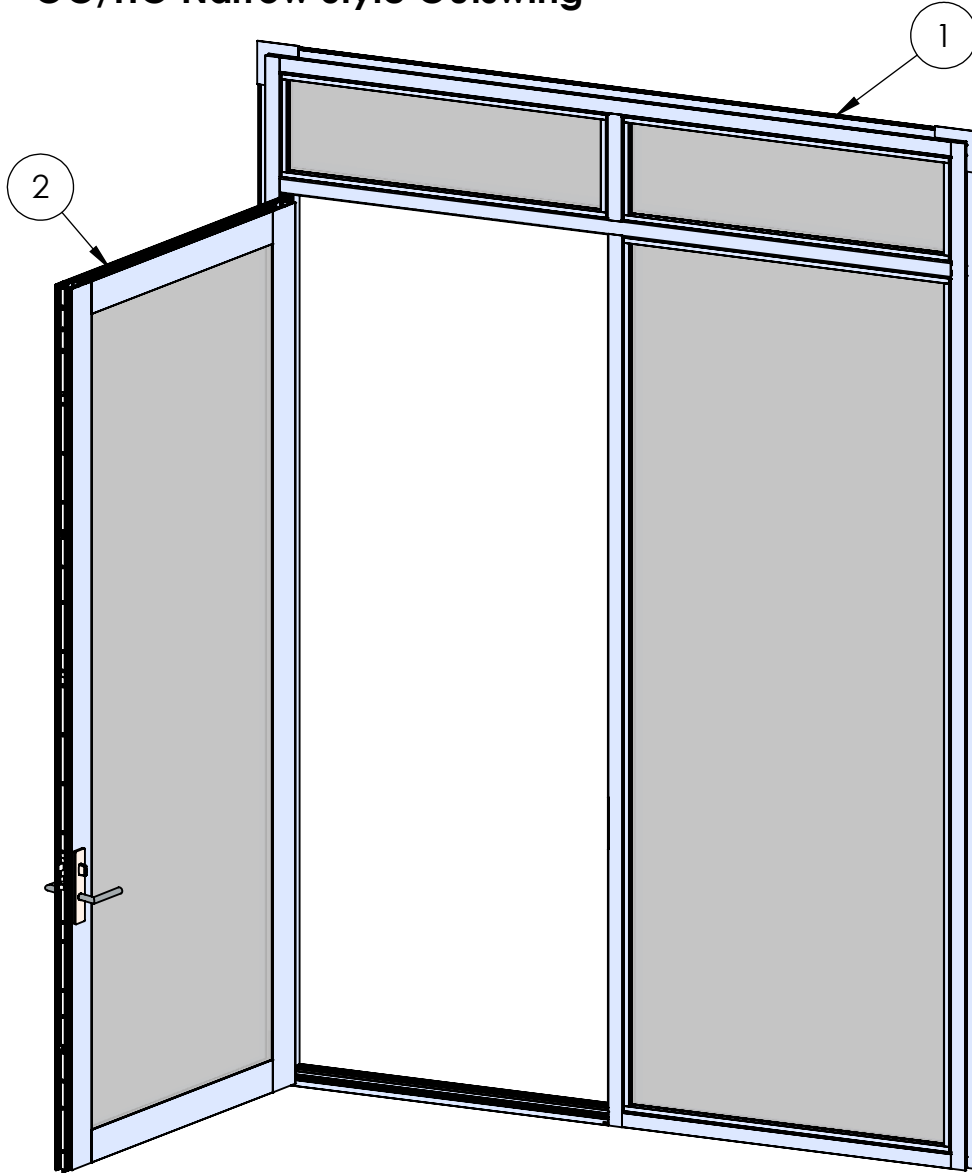
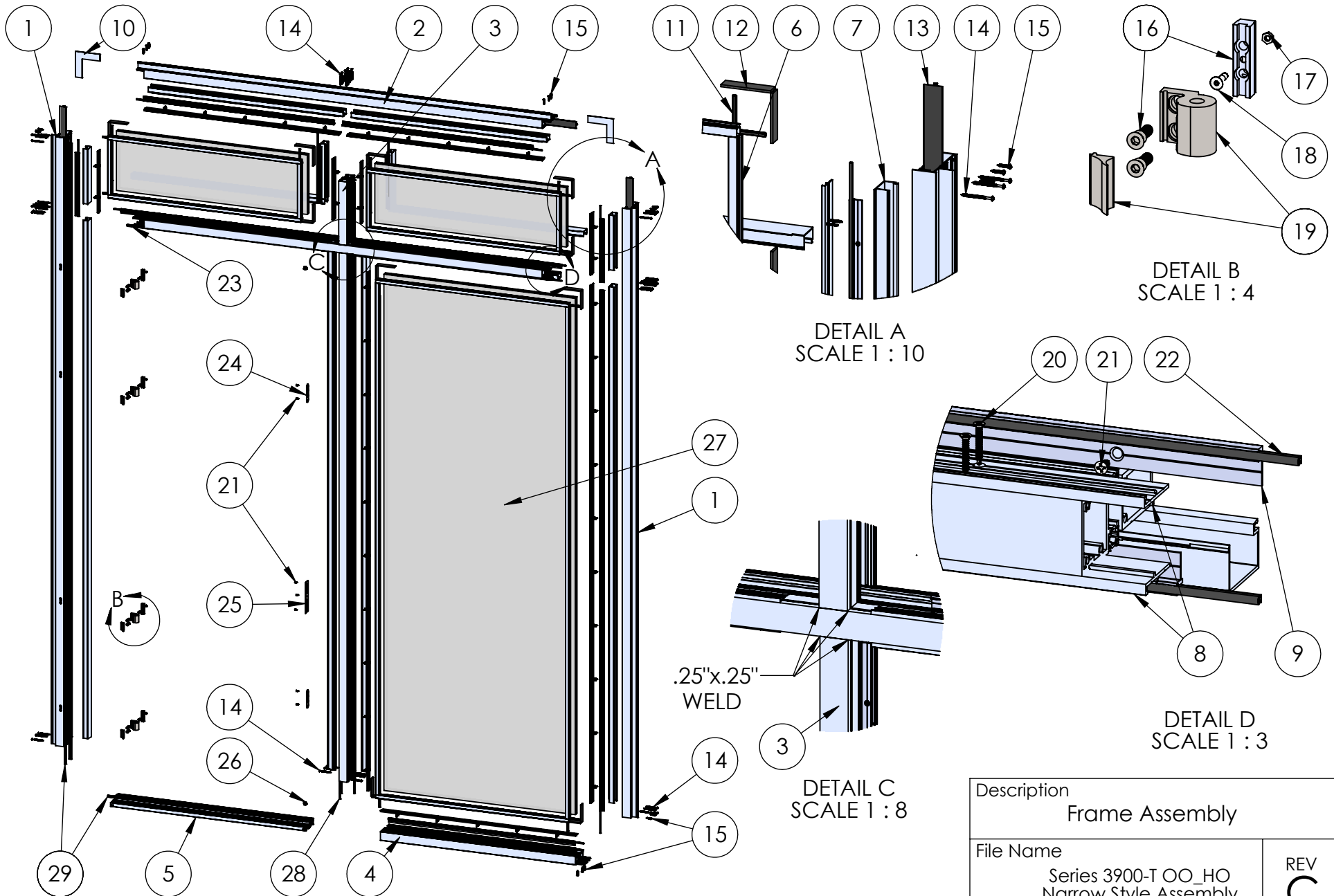


TABLE OF CONTENTS			
ITEM NO.	DESCRIPTION	QTY.	PAGE #
1	Frame Assembly	1	2-3
2	Active Panel	1	4-5

**PROPRIETARY AND CONFIDENTIAL**  
 THE INFORMATION CONTAINED IN THIS DRAWING IS THE SOLE PROPERTY OF FLEETWOOD WINDOWS & DOORS.  
 ANY REPRODUCTION IN PART OR AS A WHOLE WITHOUT THE WRITTEN PERMISSION OF FLEETWOOD WINDOWS & DOORS IS PROHIBITED.

Description Table of Contents	
File Name Series 3900-T OO_HO Narrow Style Assembly	REV <b>C</b>
Released 12/6/2022	SHEET 1 OF 5

# ASSEMBLY / PARTS LIST (B.O.M.)



DETAIL A  
SCALE 1 : 10

DETAIL B  
SCALE 1 : 4

DETAIL D  
SCALE 1 : 3

DETAIL C  
SCALE 1 : 8

.25"x.25"  
WELD

**PROPRIETARY AND CONFIDENTIAL**  
THE INFORMATION CONTAINED IN THIS DRAWING IS THE SOLE PROPERTY OF FLEETWOOD WINDOWS & DOORS.  
ANY REPRODUCTION IN PART OR AS A WHOLE WITHOUT THE WRITTEN PERMISSION OF FLEETWOOD WINDOWS & DOORS IS PROHIBITED.

Description Frame Assembly	
File Name Series 3900-T OO_HO Narrow Style Assembly	REV C
Released 12/6/2022	SHEET 2 OF 5



# ASSEMBLY / PARTS LIST (B.O.M.)

EXTRUSIONS			
ITEM NO.	PART NUMBER	DESCRIPTION	QTY.
1	3921, 3922, 3923	Jamb (Block, Out-Swing, In-Swing)	2
2	3921, 3922, 3923	Head (Block, Out-Swing, In-Swing)	1
3	3913	Frame Mullion	3
4	3921, 3922, 3923	Narrow Style Sill (Block, Out-Swing, In-Swing)	1
5	3202	Sill (Out-Swing)	1
6	3907, 3924, 4735, 4736	Glass Stop (1", 9/16", 1.25", 1.5")	12
7	3912	Snap-in	14
8	3915	Glass Stop Adaptor	12
9	3917	Glass Adaptor	12

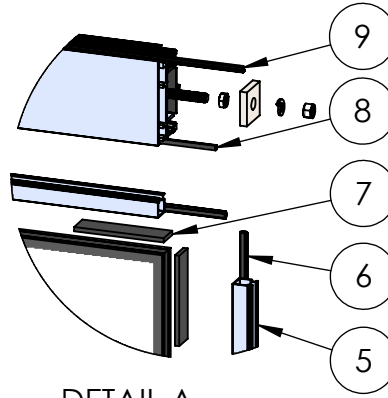
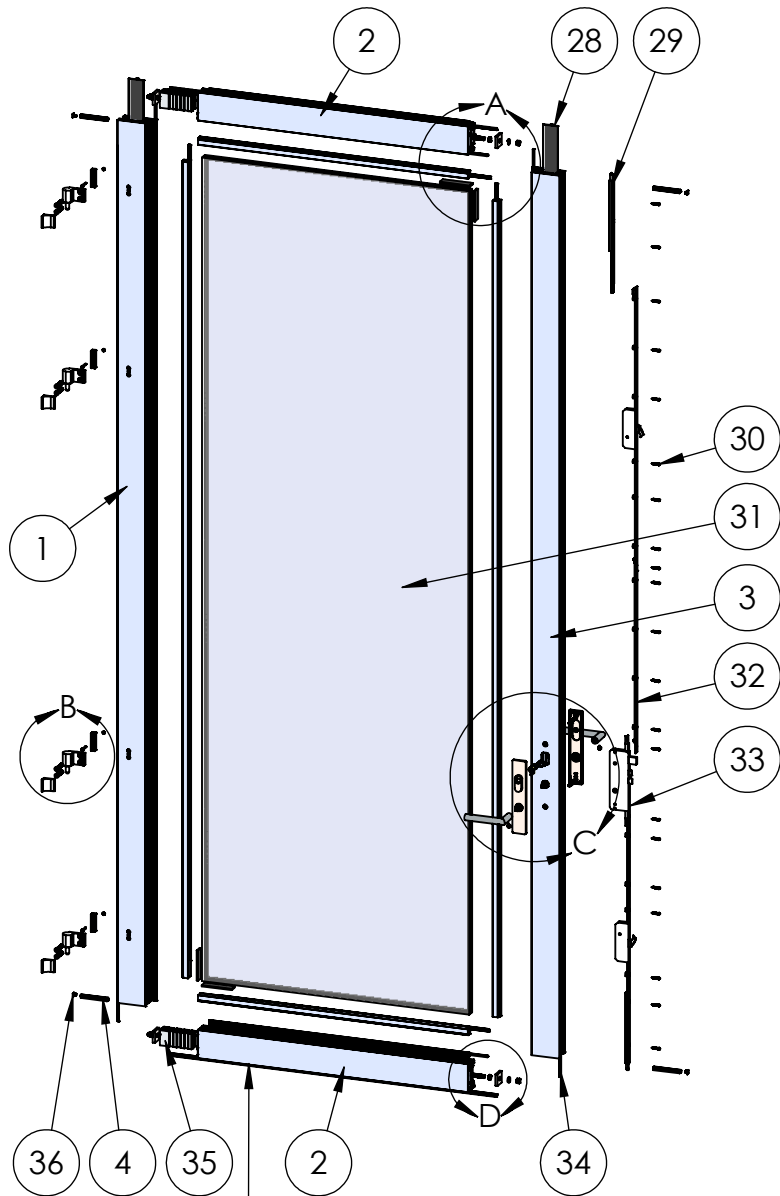
HARDWARE			
ITEM NO.	PART NUMBER	DESCRIPTION	QTY.
10	18629	Nail-Fin Corner	2
11	25031	Bulb Vinyl-Large	12
12	27313	Setting Block (4" x 3/16") x 1" with adhesive	24
13	24888	Frame Thermal Barrier	3
14	25075	#10 PHP Screw, 2.5"	42
15	20350	#10 PHP Screw, 1"	18
16	20535	Savio Hinge Back up Kit	4
17	26463	#10-32 Hex Nut	4
18	25073	#10-32 FHP Screw, .750"	4
19	23223, 23387, 23388	Savio Butt Hinge Set - Frame Portion (Cl, Mill, Blk)	4
20	20235	#6 FHP Self Tapping Screw, 1 in.	Varies
21	20240	#8 FHP-UC Screw, 0.5"	Varies

HARDWARE			
ITEM NO.	PART NUMBER	DESCRIPTION	QTY.
22	25199	Mini Bulb Vinyl	18
23	25058	Q-Lon Foam Seal (at Head)	1
24	27056	Jamb Hook Strike, SS (TRUTH)	2
25	24993	Latch-Deadbolt Strike Plate	1
26	20542	Shootbolt Cup	2
27	-	Glass	3
28	25189	Q-Lon Foam Seal (Q225T190)	1
29	25059	Q-Lon Foam Seal (at Sill and Hinged Jambs)	2

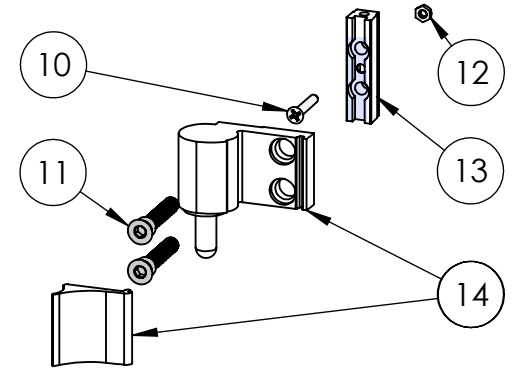
Description Frame B.O.M.	
File Name Series 3900-T OO_HO Narrow Style Assembly	REV C
Released 12/6/2022	SHEET 3 OF 5

**PROPRIETARY AND CONFIDENTIAL**  
 THE INFORMATION CONTAINED IN THIS DRAWING IS THE SOLE PROPERTY OF FLEETWOOD WINDOWS & DOORS.  
 ANY REPRODUCTION IN PART OR AS A WHOLE WITHOUT THE WRITTEN PERMISSION OF FLEETWOOD WINDOWS & DOORS IS PROHIBITED.

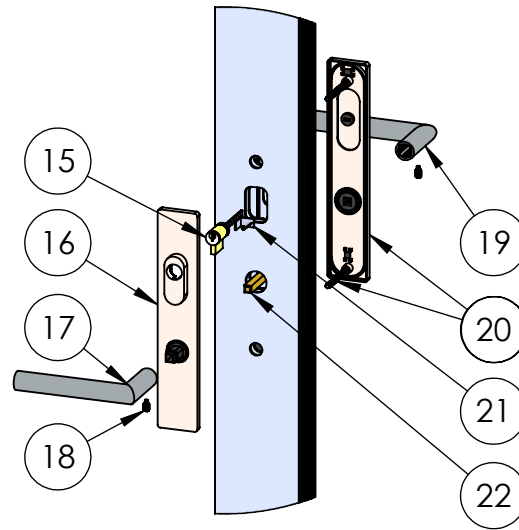
# ASSEMBLY / PARTS LIST (B.O.M.)



DETAIL A  
SCALE 1 : 8

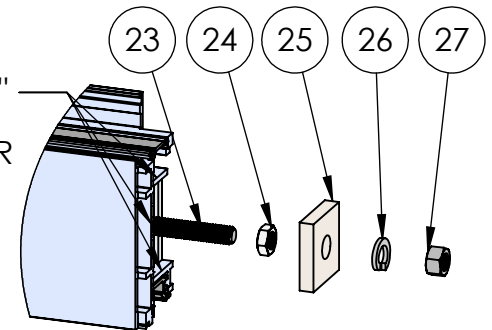


DETAIL B  
SCALE 1 : 4



DETAIL C  
SCALE 1 : 8

.25" x .25"  
WELD  
CORNER  
KEY



DETAIL D  
SCALE 1 : 4

NOTE: If ADA  
Door Comp.  
#23229 bottom  
seal only

**PROPRIETARY AND CONFIDENTIAL**

THE INFORMATION CONTAINED IN THIS DRAWING IS THE SOLE PROPERTY OF FLEETWOOD WINDOWS & DOORS.  
ANY REPRODUCTION IN PART OR AS A WHOLE WITHOUT THE WRITTEN PERMISSION OF FLEETWOOD WINDOWS & DOORS IS PROHIBITED.

Description Active Panel Assembly	
File Name Series 3900-T OO_HO Narrow Style Assembly	REV C
Released 12/6/2022	SHEET 4 OF 5



# ASSEMBLY / PARTS LIST (B.O.M.)

## EXTRUSIONS

ITEM NO.	PART NUMBER	DESCRIPTION	QTY.
1	3902	Hinge Stile	1
2	3902	Top/Bottom Rail	2
3	3902	Lock Stile	1
4	3916	Seal Clip (One per corner)	4
5	3907, 3924, 4735, 4736	Glass Stop (1", 9/16", 1.25", 1.5")	4

## HARDWARE

ITEM NO.	PART NUMBER	DESCRIPTION	QTY.
6	25031	Bulb Vinyl-Large	4
7	27313	Setting Block (4" x 3/16") x 1" with adhesive	4
8	25199	Mini Bulb Vinyl	4
9	25196	Q-Lon Foam Seal	2
10	25074	#10-32 FHP Screw, 1.125"	4
11	25026	FH Socket Cap Screw M8 x 48 mm	8
12	26463	#10-32 Hex Nut	4
13	20535	Savio Hinge Back up Kit	4
14	23223, 23387, 23388	Savio Butt Hinge Set - Panel Portion (Cl, Mill, Blk)	4
15	25063	Rim Cylinder	1
16	26204, 26207	Escutcheon plate w/ Cylinder Collar and L-clip screw (S.S., Black)	1
17	26190, 26192	FSB 1076 Lever LH (SS, Black)	1
18	26318	Cup-Point Set Screw M6 x 1mm	2
19	26189, 26191	FSB_1076 Lever RH (SS, Black)	1
20	26205, 26208	Escutcheon plate with Thumbturn and fastening screws (S.S., Black)	1
21	25187	L-Clip	1
22	26195	Spindle	1
23	25175	.375-16 Hex Head Cap Screw, Fully Threaded 2.25"	4

## HARDWARE

ITEM NO.	PART NUMBER	DESCRIPTION	QTY.
24	25176	.375-16 Stainless Steel Hex Nut	4
25	25025	Back up Plate for Panel	4
26	25024	.375 Split Lock Washer	4
27	25023	.375-16 Stainless Steel Hex Nut	4
28	24887	Panel Thermal Barrier	5
29	25054	Shootbolt	1
30	20247	#8 FHP Screw, 1"	21
31	-	Glass	1
32	See Table A	Upper Bar Assembly	1
33	27048	Active Lower Gear Hook Assembly, 41.35 in	1
34	25189	Q-Lon Foam Seal (Q225T190)	2
35	25167	Corner Block	4
36	26684	Bottom and Top Clip Cap	4

TABLE A: ACTIVE UPPER BAR ASSEMBLY HEIGHT

PANEL HEIGHT	COMPONENT NUMBER	SCREW QTY.
≤ 81.1875"	27050	6
81.25"-89"	27051	7
89.0625"-97"	27052	8
97.0625"-105"	27053	9
105.0625"-113"	27054	10
113.0625"-121"	25046, 27052	13
121.0625"-129"	25046, 27053	14
≥129.0625"	25046, 27054	15

Description  
Active Panel B.O.M.

File Name  
Series 3900-T OO\_HO  
Narrow Style Assembly

REV  
C

**PROPRIETARY AND CONFIDENTIAL**

THE INFORMATION CONTAINED IN THIS DRAWING IS THE SOLE PROPERTY OF FLEETWOOD WINDOWS & DOORS.  
ANY REPRODUCTION IN PART OR AS A WHOLE WITHOUT THE WRITTEN PERMISSION OF FLEETWOOD WINDOWS & DOORS IS PROHIBITED.

Released 12/6/2022

SHEET 5 OF 5