

ASSEMBLY / PARTS LIST (B.O.M.)

Series: 3900-T
Type: H Outswing

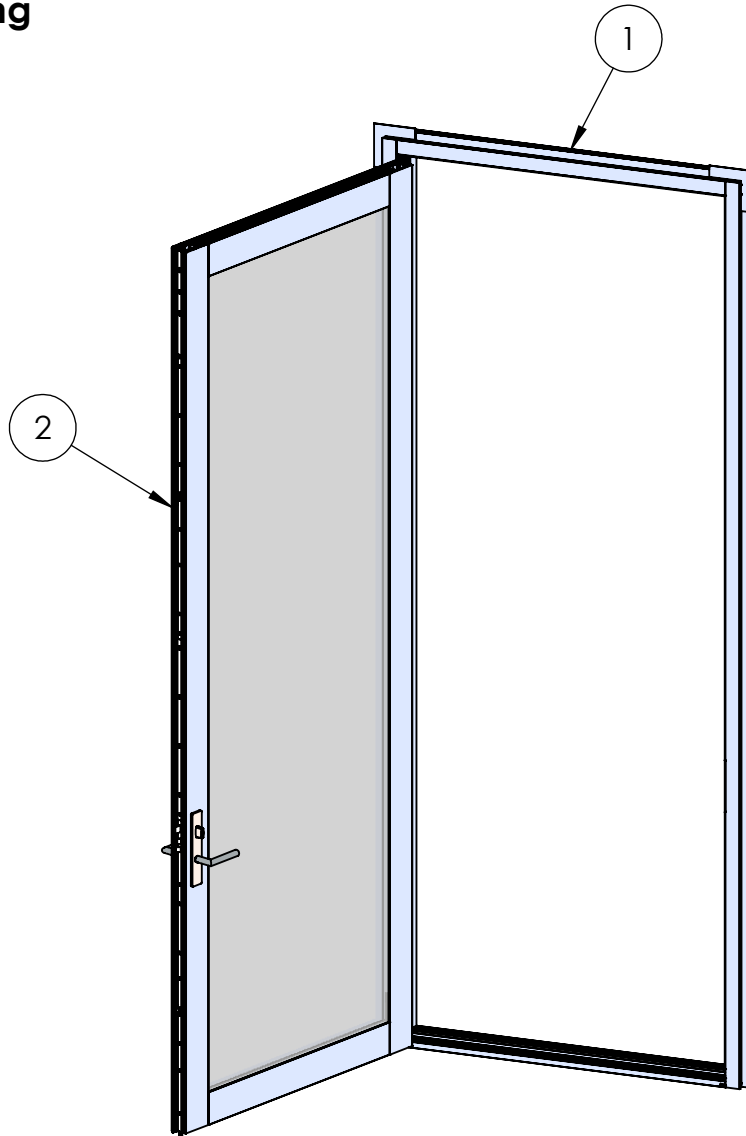
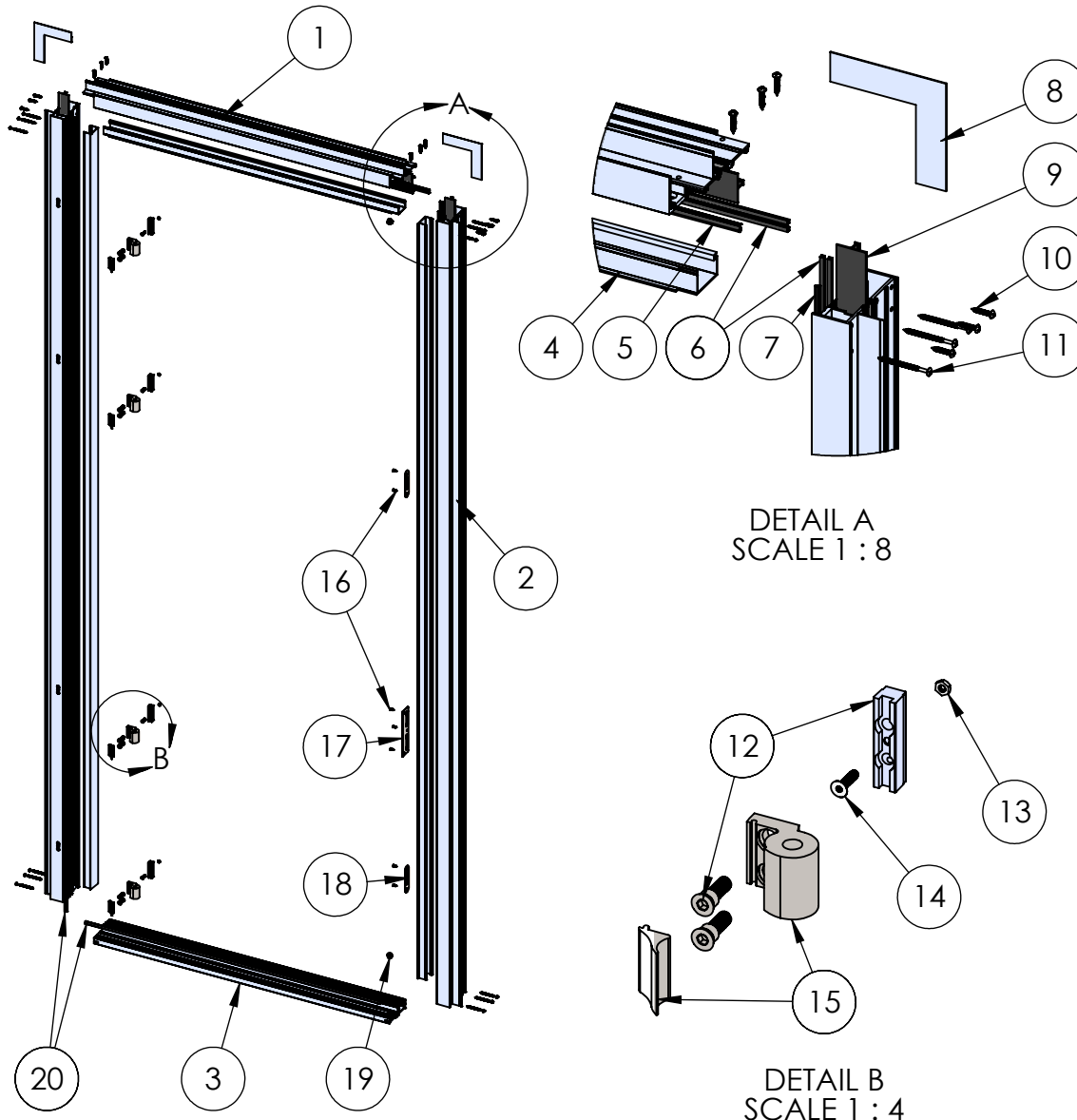


TABLE OF CONTENTS			
ITEM NO.	DESCRIPTION	QTY.	PAGE #
1	Frame Assembly	1	2
2	Active Panel	1	3-4

Description Table of Contents	
File Name Series 3900-T H Assembly	REV C
Released 12/7/2022	SHEET 1 OF 4

PROPRIETARY AND CONFIDENTIAL
 THE INFORMATION CONTAINED IN THIS DRAWING IS THE SOLE PROPERTY OF FLEETWOOD WINDOWS & DOORS.
 ANY REPRODUCTION IN PART OR AS A WHOLE WITHOUT THE WRITTEN PERMISSION OF FLEETWOOD WINDOWS & DOORS IS PROHIBITED.

ASSEMBLY / PARTS LIST (B.O.M.)



EXTRUSIONS

ITEM NO.	PART NUMBER	DESCRIPTION	QTY.
1	3921,3922,3923	Head (Block,Out-Swing,In-Swing)	1
2	3921,3922,3923	Jamb (Block,Out-Swing,In-Swing)	2
3	3202	Sill (Out-Swing)	1
4	3912	Snap-in	3

HARDWARE

5	25058	Q-Lon Foam Seal (at Head)	1
6	25199	Mini Bulb Vinyl	6
7	25189	Q-Lon Foam Seal (Q225T190)	1
8	18629	Nail-Fin Corner	2
9	24888	Frame Thermal Barrier	3
10	20350	#10 PHP Screw, 1"	12
11	25075	#10 PHP Screw, 2.5"	12
12	20535	Savio Hinge Back up Kit	2
13	26463	#10-32 Hex Nut	4
14	25073	#10-32 FHP Screw, .750"	4
15	23223, 23387, 23388	Savio Butt Hinge Set - Frame Portion (Cl, Mill, Blk)	4
16	20240	#8 FHP-UC Screw, 0.5"	7
17	24993	Latch-Deadbolt Strike Plate	1
18	27056	Jamb Hook Strike, SS (TRUTH)	2
19	20542	Shootbolt Cup	2
20	25059	Q-Lon Foam Seal (at Sill and Hinge)	2

Description
Frame Assembly

File Name
Series 3900-T H Assembly

REV
C

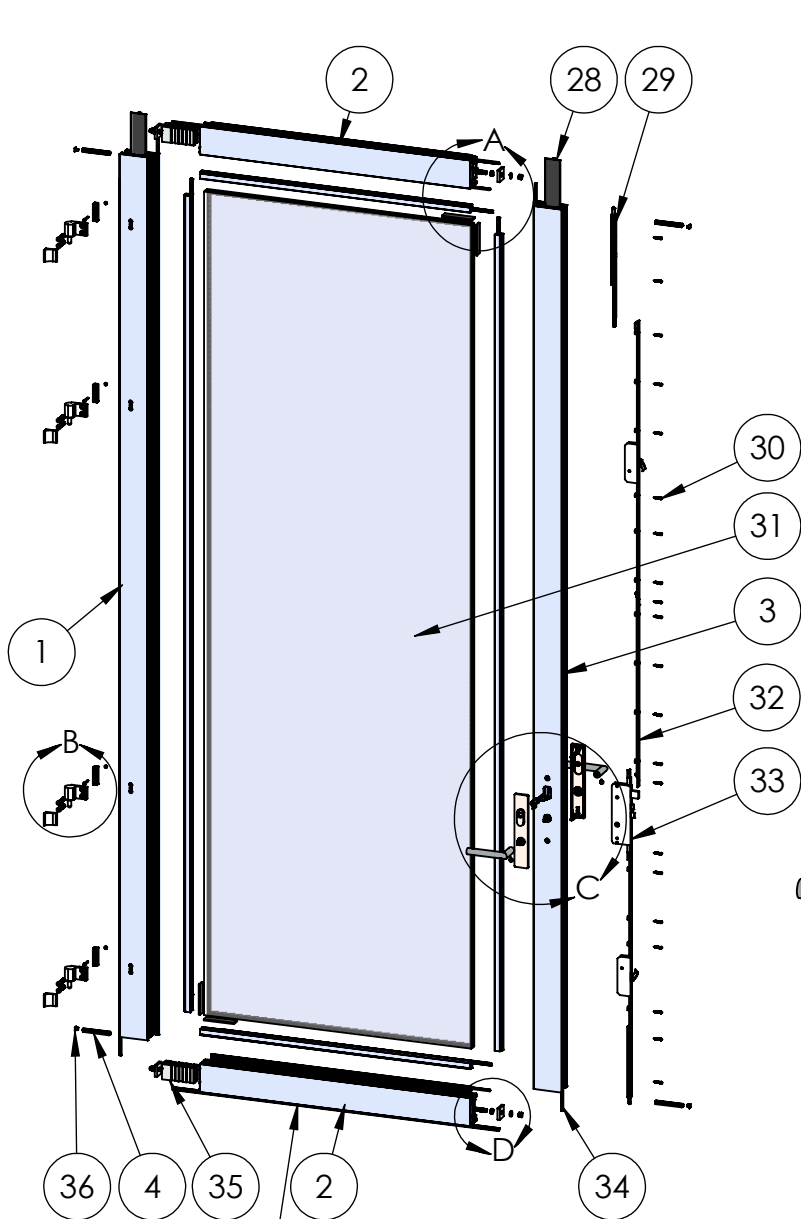
Released 12/7/2022

SHEET 2 OF 4

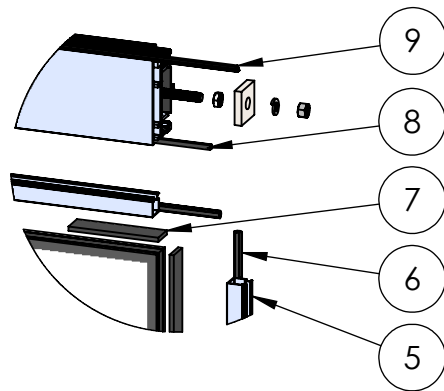
PROPRIETARY AND CONFIDENTIAL

THE INFORMATION CONTAINED IN THIS DRAWING IS THE SOLE PROPERTY OF FLEETWOOD WINDOWS & DOORS.
ANY REPRODUCTION IN PART OR AS A WHOLE WITHOUT THE WRITTEN PERMISSION OF FLEETWOOD WINDOWS & DOORS IS PROHIBITED.

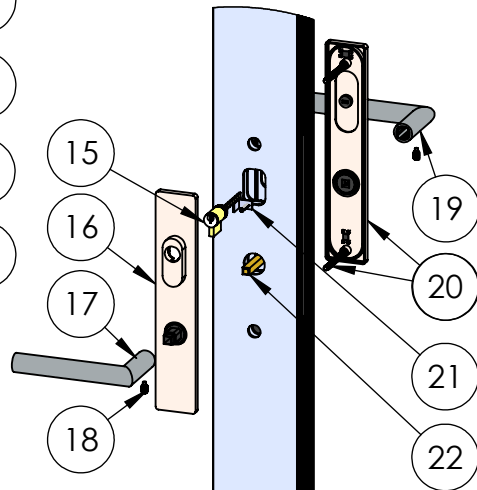
ASSEMBLY / PARTS LIST (B.O.M.)



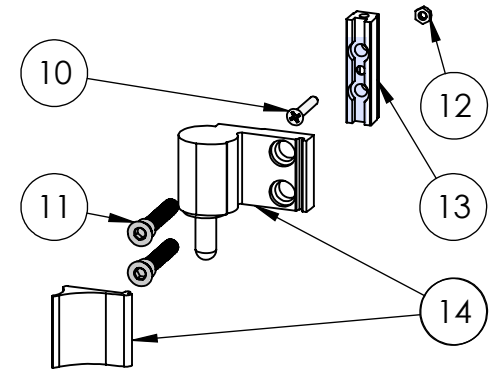
NOTE: If ADA
Door Comp.
#23229 bottom
seal only



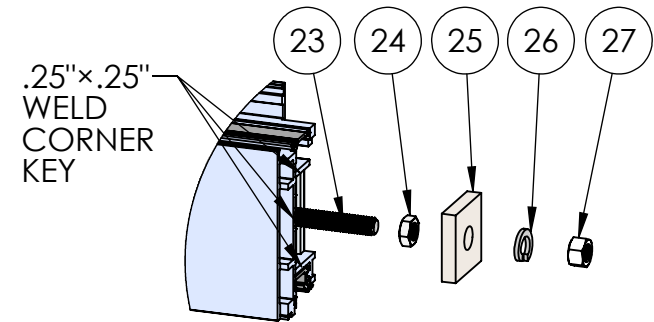
DETAIL A
SCALE 1 : 8



DETAIL C
SCALE 1 : 8



DETAIL B
SCALE 1 : 4



DETAIL D
SCALE 1 : 4

PROPRIETARY AND CONFIDENTIAL

THE INFORMATION CONTAINED IN THIS DRAWING IS THE SOLE PROPERTY OF FLEETWOOD WINDOWS & DOORS.
ANY REPRODUCTION IN PART OR AS A WHOLE WITHOUT THE WRITTEN PERMISSION OF FLEETWOOD WINDOWS & DOORS IS PROHIBITED.

Description Active Panel Assembly	
File Name Series 3900-T H Assembly	REV C
Released 12/7/2022	SHEET 3 OF 4



ASSEMBLY / PARTS LIST (B.O.M.)

EXTRUSIONS

ITEM NO.	PART NUMBER	DESCRIPTION	QTY.
1	3902	Hinge Stile	1
2	3902	Top/Bottom Rail	2
3	3902	Lock Stile	1
4	3916	Seal Clip (One per corner)	4
5	3907, 3924, 4735, 4736	Glass Stop (1", 9/16", 1.25", 1.5")	4

HARDWARE

ITEM NO.	PART NUMBER	DESCRIPTION	QTY.
6	25031	Bulb Vinyl-Large	4
7	27313	Setting Block (4" x 3/16") x 1" with adhesive	4
8	25199	Mini Bulb Vinyl	4
9	25196	Q-Lon Foam Seal	2
10	25074	#10-32 FHP Screw, 1.125"	4
11	25026	FH Socket Cap Screw M8 x 48 mm	8
12	26463	#10-32 Hex Nut	4
13	20535	Savio Hinge Back up Kit	4
14	23223, 23387, 23388	Savio Butt Hinge Set - Panel Portion (Cl, Mill, Blk)	4
15	25063	Rim Cylinder	1
16	26204, 26207	Escutcheon plate w/ Cylinder Collar and L-clip screw (S.S., Black)	1
17	26190, 26192	FSB 1076 Lever LH (SS, Black)	1
18	26318	Cup-Point Set Screw M6 x 1mm	2
19	26189, 26191	FSB_1076 Lever RH (SS, Black)	1
20	26205, 26208	Escutcheon plate with Thumbturn and fastening screws (S.S., Black)	1
21	25187	L-Clip	1
22	26195	Spindle	1
23	25175	.375-16 Hex Head Cap Screw, Fully Threaded 2.25"	4
24	25176	.375-16 Stainless Steel Hex Nut	4

HARDWARE

ITEM NO.	PART NUMBER	DESCRIPTION	QTY.
25	25025	Back up Plate for Panel	4
26	25024	.375 Split Lock Washer	4
27	25023	.375-16 Stainless Steel Hex Nut	4
28	24887	Panel Thermal Barrier	5
29	25054	Shootbolt	1
30	20247	#8 FHP Screw, 1"	21
31	-	Glass	1
32	See Table A	Upper Bar Assembly	1
33	27048	Active Lower Gear Hook Assembly, 41.35"	1
34	25189	Q-Lon Foam Seal (Q225T190)	2
35	25167	Corner Block	4
36	26684	Bottom and Top Clip Cap	4

TABLE A: ACTIVE UPPER BAR ASSEMBLY HEIGHT

PANEL HEIGHT	COMPONENT NUMBER	SCREW QTY.
≤ 81.1875"	27050	6
81.25"-89"	27051	7
89.0625"-97"	27052	8
97.0625"-105"	27053	9
105.0625"-113"	27054	10
113.0625"-121"	25046, 27052	13
121.0625"-129"	25046, 27053	14
≥129.0625"	25046, 27054	15

PROPRIETARY AND CONFIDENTIAL

THE INFORMATION CONTAINED IN THIS DRAWING IS THE SOLE PROPERTY OF FLEETWOOD WINDOWS & DOORS. ANY REPRODUCTION IN PART OR AS A WHOLE WITHOUT THE WRITTEN PERMISSION OF FLEETWOOD WINDOWS & DOORS IS PROHIBITED.

Description
Active Panel B.O.M.

File Name
Series 3900-T H Assembly

REV
C

Released 12/7/2022

SHEET 4 OF 4