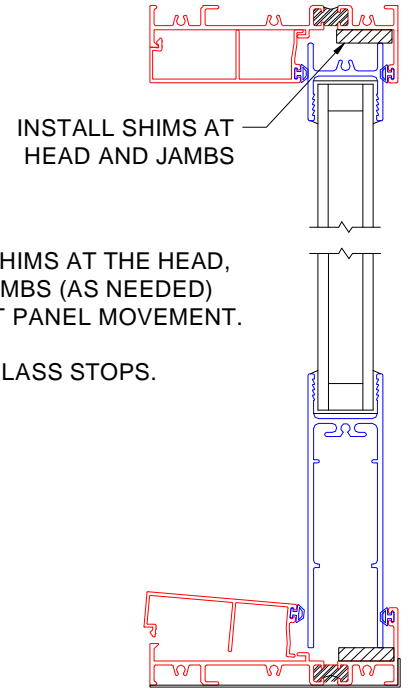
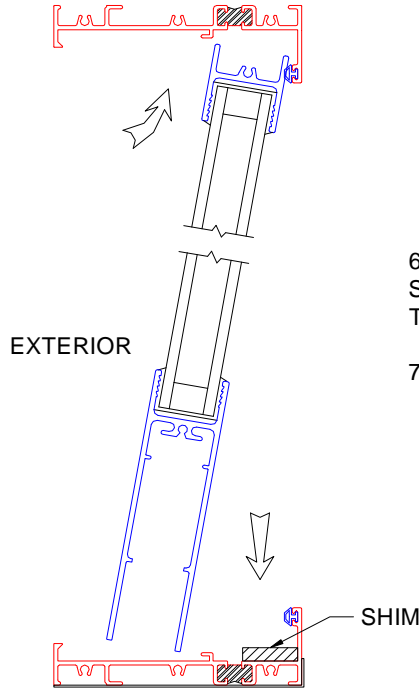


**NOTE: Install Series 3800-T frame into opening before inserting door panel into frame.**

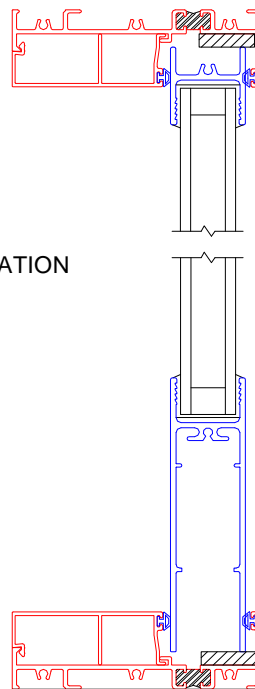
**INSTALLATION STEPS:**

1. REMOVE THE GLASS STOPS FROM THE FRAME, MAKING SURE TO NOTE THE LOCATION FROM WHICH EACH STOP WAS REMOVED. EACH STOP IS CUT FOR A SPECIFIC LOCATION ON THE FRAME AND MUST BE RETURNED TO THE SAME LOCATION.
2. LARGE BULB VINYL WEATHERSEALS ARE PROVIDED AND SHOULD BE VISIBLE IN THE FRAME AND GLASS STOPS.
3. INSTALL THE SERIES 3800-T FRAME PER INSTALLATION INSTRUCTIONS.
4. PLACE SHIMS AT SILL.
5. FROM THE \*EXTERIOR, INSERT THE PANEL INTO THE HEAD, PUSH UP, AND SWING THE PANEL IN AND DOWN INTO THE 3800-T FRAME (AS INDICATED).



6. INSTALL SHIMS AT THE HEAD, SILL, AND JAMBS (AS NEEDED) TO PREVENT PANEL MOVEMENT.
7. INSTALL GLASS STOPS.

**8. PANEL INSTALLATION COMPLETE.**



**NOTES:**

1. \*INTERIOR ON INSIDE GLAZED 3800-T FRAMES.
2. SERIES 3070 DOOR PANEL SHOWN FOR ILLUSTRATION.