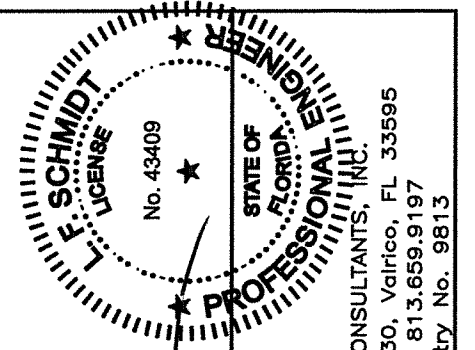


HARDWARE TABLE			
HINGE			
Qty.	Description	Height	Snubbers
4	Butt hinge	≤ 84"	Yes (2)
2	Butt hinge	≤ 50"	Yes (2)
2	4 Bar hinge	≤ 65"	Yes (3)
HANDLES			
Points	Description	Height	
4	Multipoint	> 72"	*Cam locks can be used in conjunction with multipoint lock or in lieu of multipoint locks
3	Multipoint	≤ 72"	
Qty.			
3	Cam*	≤ 65"	
1	Cam*	≤ 50"	

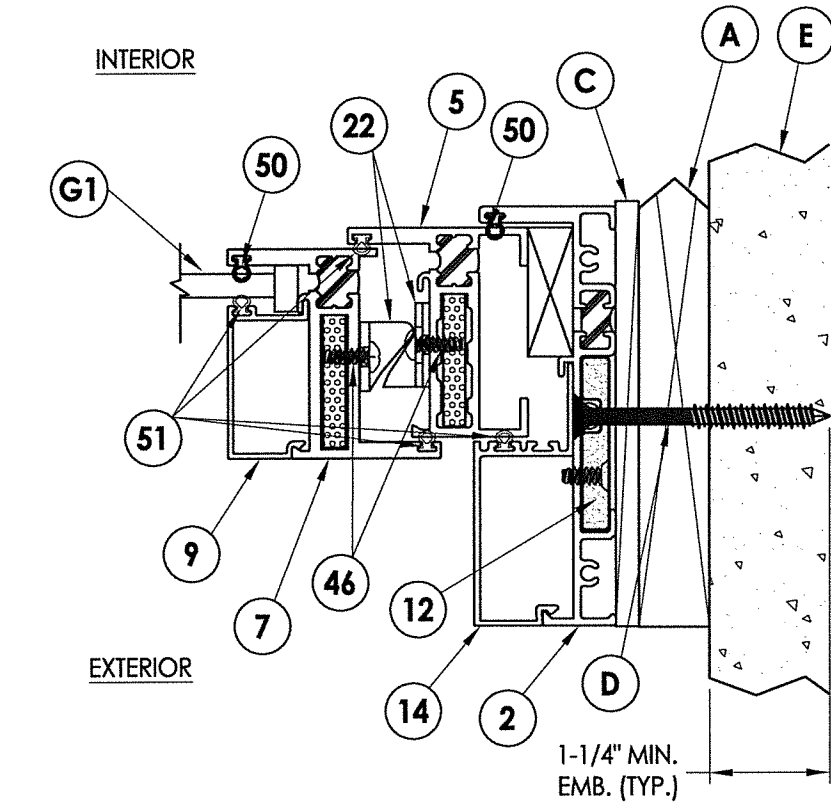


LF

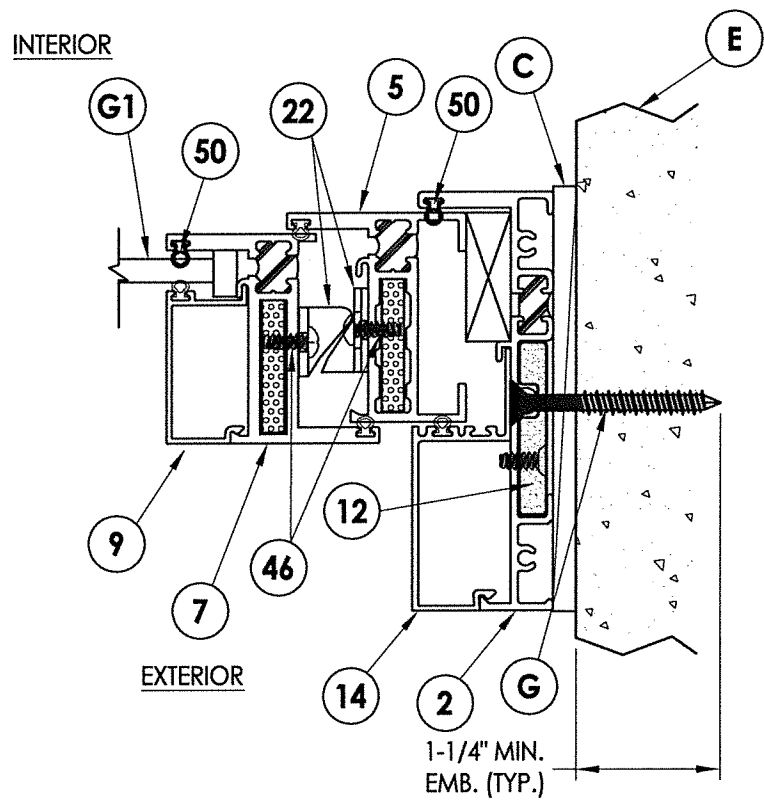
December 7, 2021
 Documents Prepared By:
 Lyndon F. Schmidt
 P.E. No. 43409

RW
 BUILDING CONSULTANTS, INC.
 P.O. Box 230, Vairico, FL 33595
 Phone No.: 813.659.9197
 FBPE Registry No. 9813

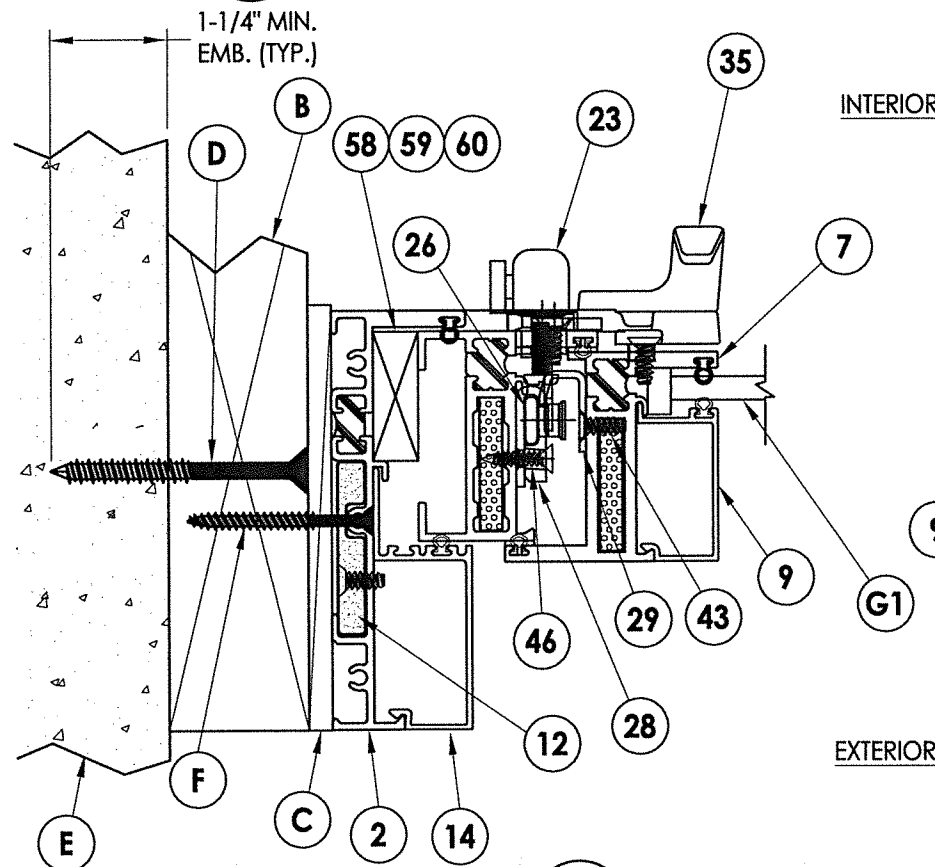
PRODUCT:		FLEETWOOD WINDOWS AND DOORS	
PART OR ASSEMBLY:		ELEVATIONS	
LFS	12/7/21	SERIES NAME CHANGE	REVISIONS
DAC	8/06/20	UPDATE TO 7th ED. (2020)	5
LFS	8/07/17	UPDATE TO 6TH ED. (2017)	4
LFS	8/22/16	RENUMBER DRAWINGS	3
LFS	1/22/15	UPDATE TO 5TH ED. (2014)	2
BY	NO.	DATE	1
DATE:		10/23/13	
SCALE:		N.T.S.	
DWG. BY:		JK	
CHK. BY:		LFS	
DRAWING NO.:		FL-14904.1	
SHEET		2 OF 8	



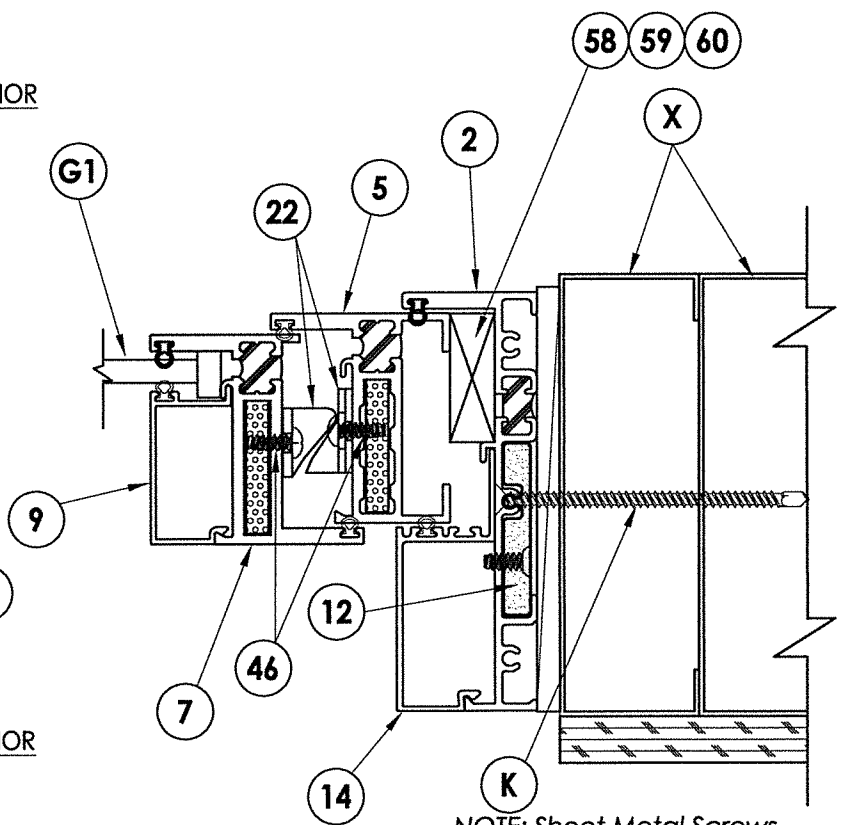
2 HORIZONTAL CROSS SECTION
3 Shown w/ 1X Sub buck option



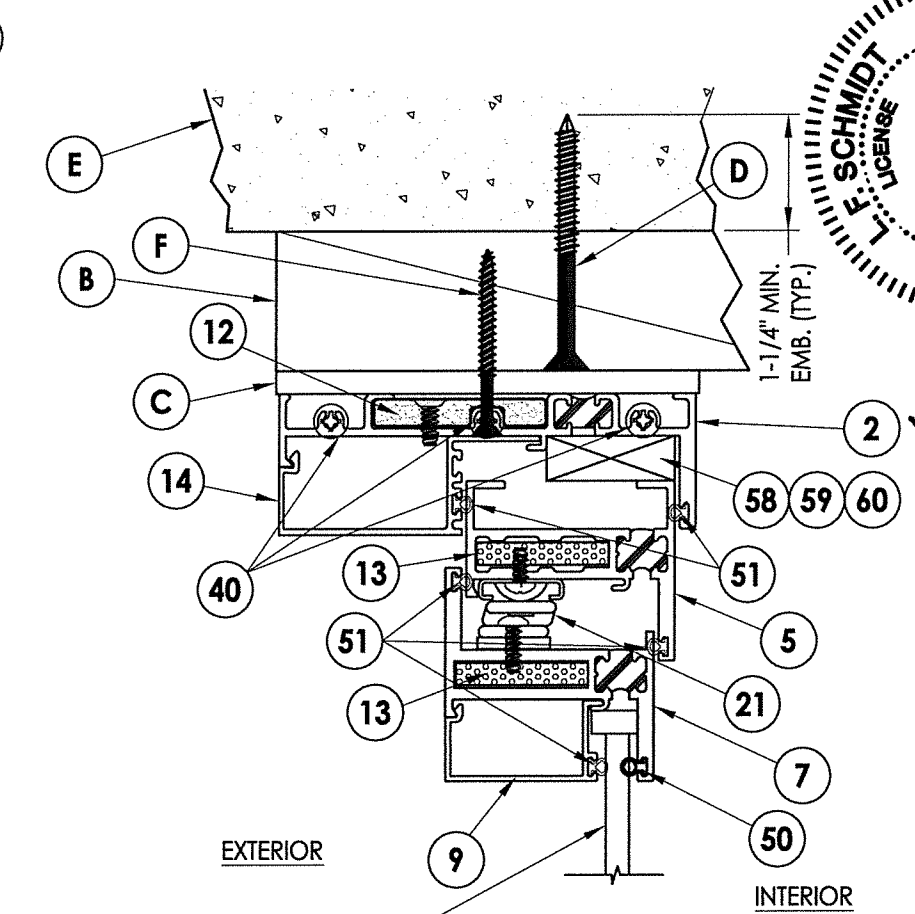
3 HORIZONTAL CROSS SECTION
3 Shown w/ Direct to Masonry option



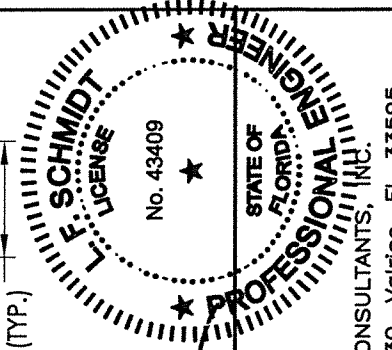
1 HORIZONTAL CROSS SECTION
3 Show w/ 2X Buck and Steel Stud options



NOTE: Sheet Metal Screws must penetrate a min. of 3 threads through at least two (2) sheets of metal.



4 VERTICAL CROSS SECTION
3 Shown w/ 2X Buck Construction

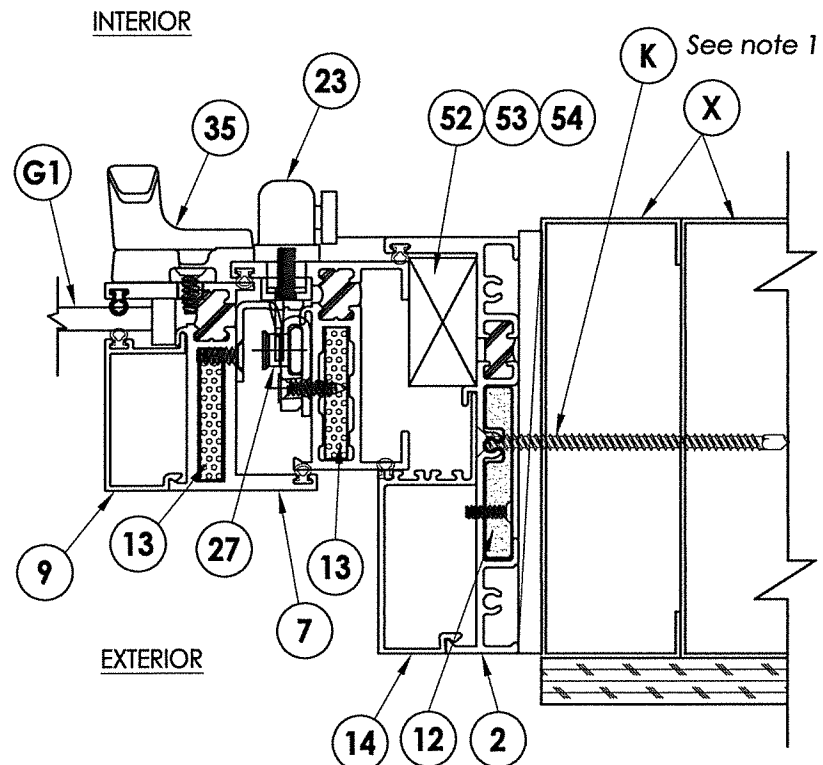


December 7, 2021
 Documents Prepared By:
 Lyndon F. Schmidt
 P.E. No. 43409
 R.W. BUILDING CONSULTANTS, INC.
 P.O. Box 230, Valrico, FL 33595
 Phone No.: 813.659.9197
 FBPE Registry No. 9813

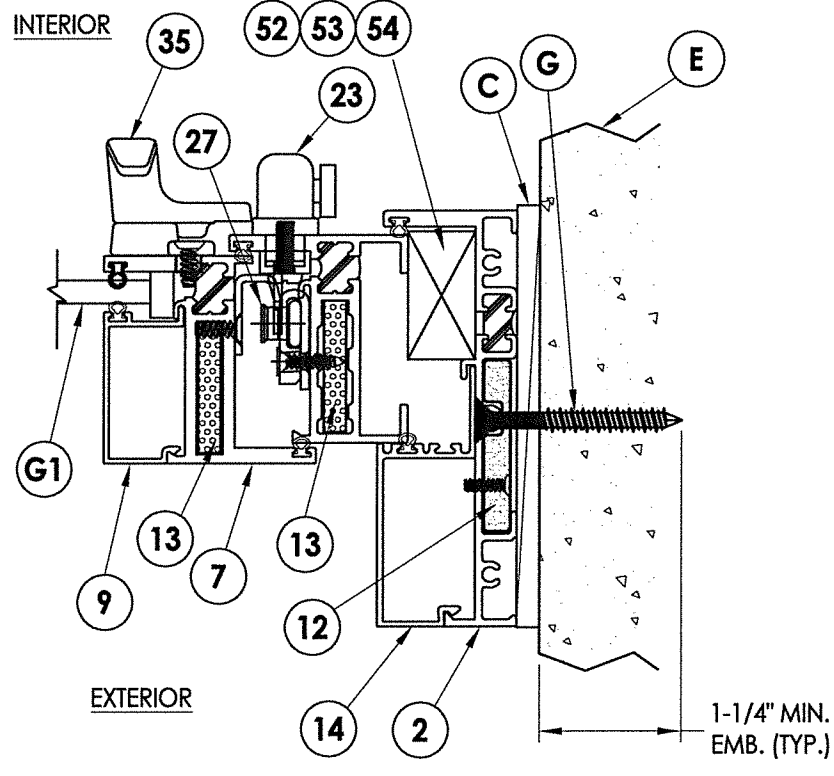
PRODUCT: FLEETWOOD WINDOWS AND DOORS
 PART OR ASSEMBLY: HORIZONTAL AND VERTICAL CROSS SECTIONS

NO.	DATE	REVISIONS
5	12/7/21	SERIES NAME CHANGE
4	8/06/20	UPDATE TO 7th ED. (2020) FBC
3	8/07/17	UPDATE TO 6TH ED. (2017) FBC
2	8/22/16	RENUMBER DRAWINGS
1	1/22/15	UPDATE TO 5TH ED. (2014) FBC
		BY

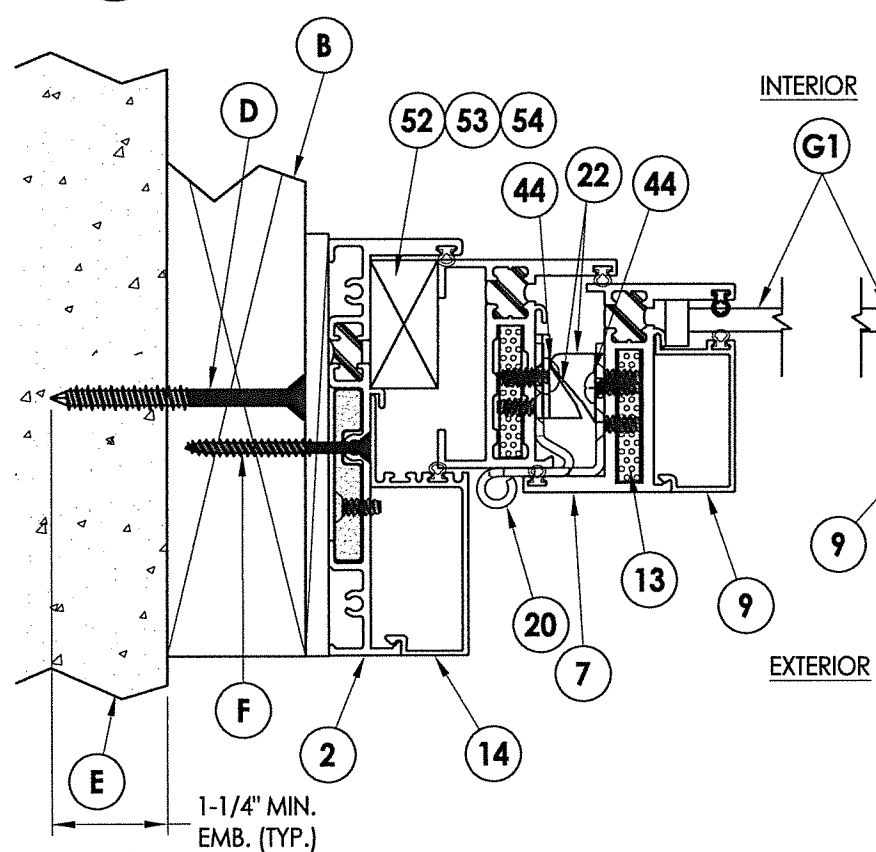
DATE: 10/23/13
 SCALE: N.T.S.
 DWG. BY: JK
 CHK. BY: LFS
 DRAWING NO.: FL-14904.1
 SHEET 3 OF 8



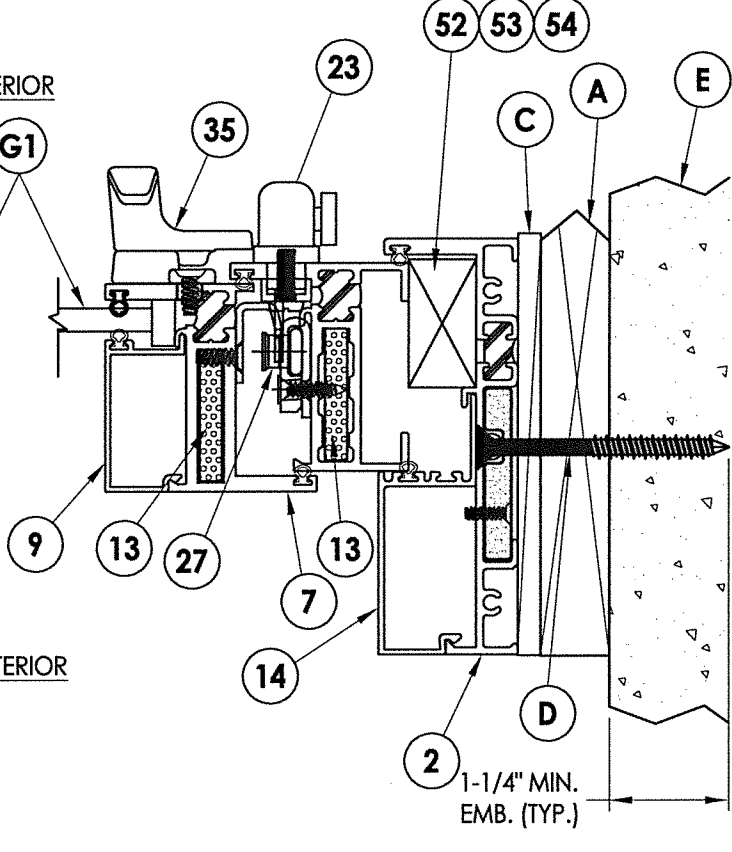
3 HORIZONTAL CROSS SECTION
4 Shown w/ Steel Stud option



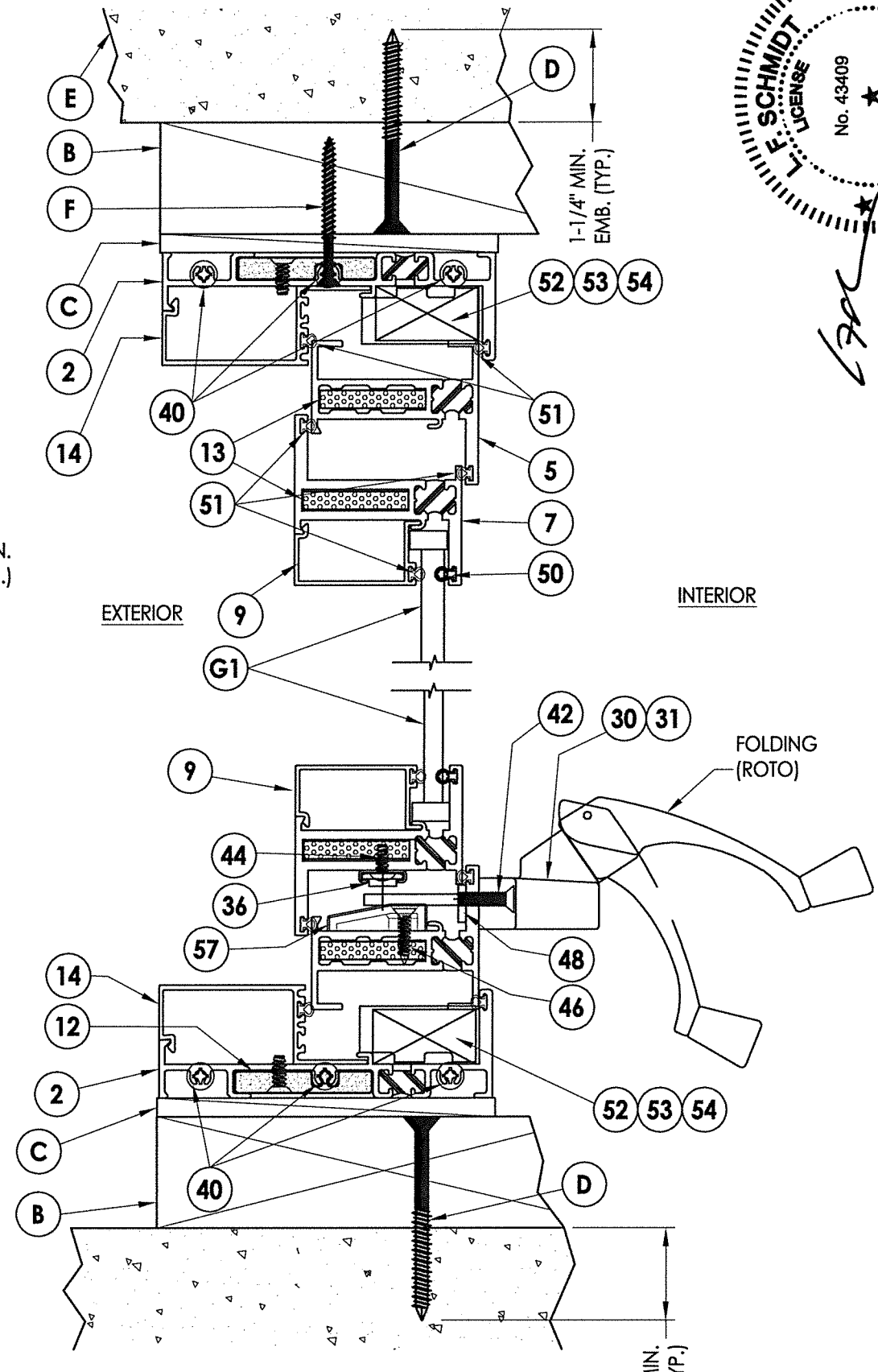
4 HORIZONTAL CROSS SECTION
4 Shown w/ Direct to Masonry option



1 HORIZONTAL CROSS SECTION
4 Shown w/ 2X Buck Construction

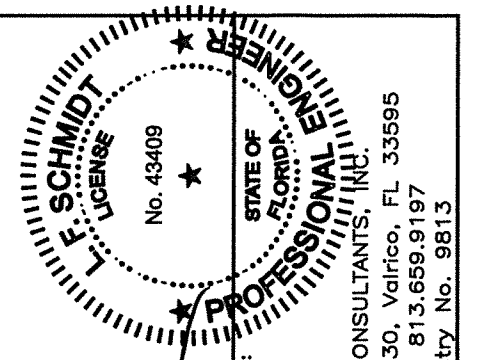


2 HORIZONTAL CROSS SECTION
4 Shown w/ 1X Sub buck option



5 VERTICAL CROSS SECTION
4 Shown w/ 2X Buck Construction

NOTE:
 1. Sheet Metal Screws must penetrate a min. of 3 threads through at least two (2) sheets of metal.

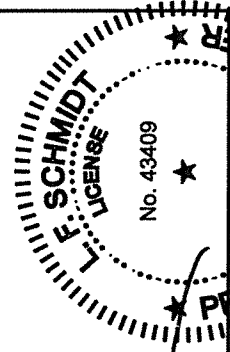
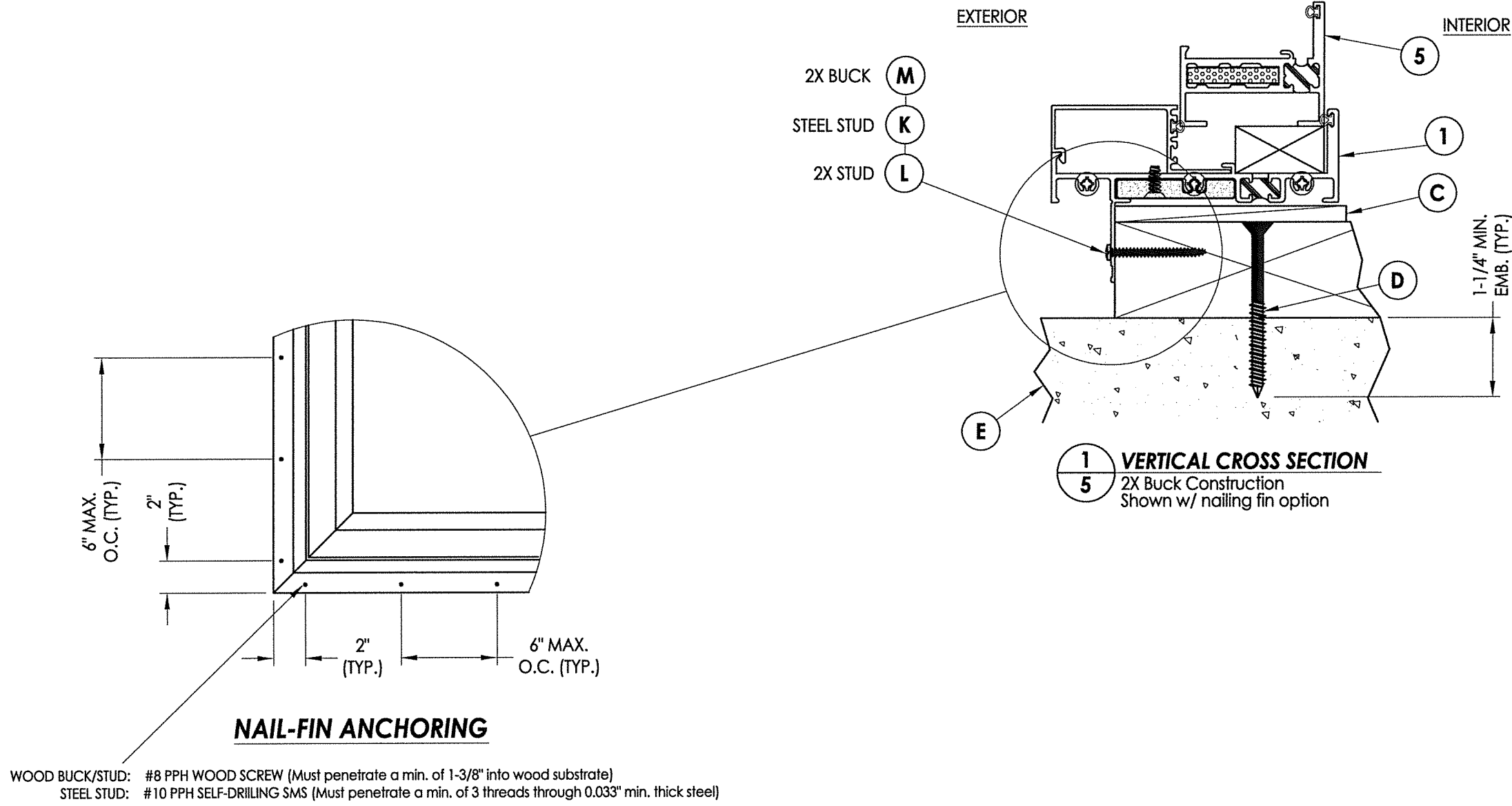


December 7, 2021
 Documents Prepared By:
 Lyndon F. Schmidt
 P.E. No. 43409
 R.W. BUILDING CONSULTANTS, INC.
 P.O. Box 230, Vairico, FL 33595
 Phone No.: 813.659.9197
 FBPE Registry No. 9813

PRODUCT:
 FLEETWOOD WINDOWS AND DOORS
 PART OR ASSEMBLY:
 HORIZONTAL AND VERTICAL CROSS SECTIONS

NO.	DATE	DESCRIPTION	BY
5	12/7/21	SERIES NAME CHANGE	LFS
4	8/06/20	UPDATE TO 7th ED. (2020) FBC	DAC
3	8/07/17	UPDATE TO 6th ED. (2017) FBC	LFS
2	8/22/16	RENUMBER DRAWINGS	LFS
1	1/22/15	UPDATE TO 5TH ED. (2014) FBC	LFS

DATE: 10/23/13
 SCALE: N.T.S.
 DWG. BY: JK
 CHK. BY: LFS
 DRAWING NO.: FL-14904.1
 SHEET 4 OF 8

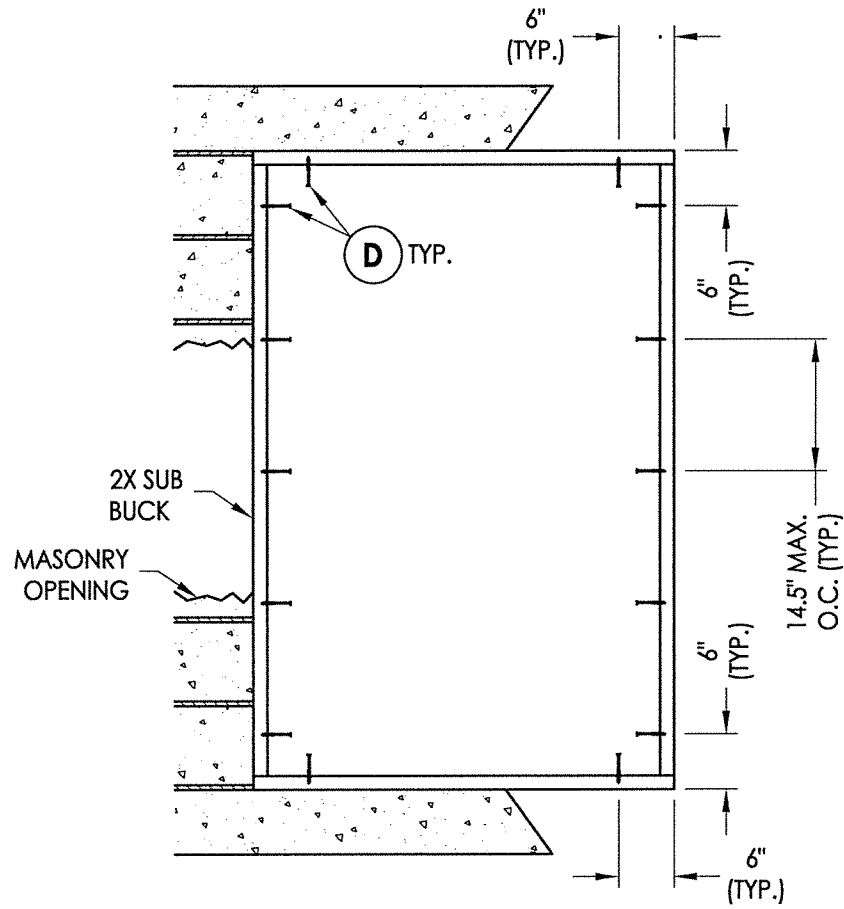


December 7, 2021
 Documents Prepared By:
 Lyndon F. Schmidt
 P.E. No. 43409

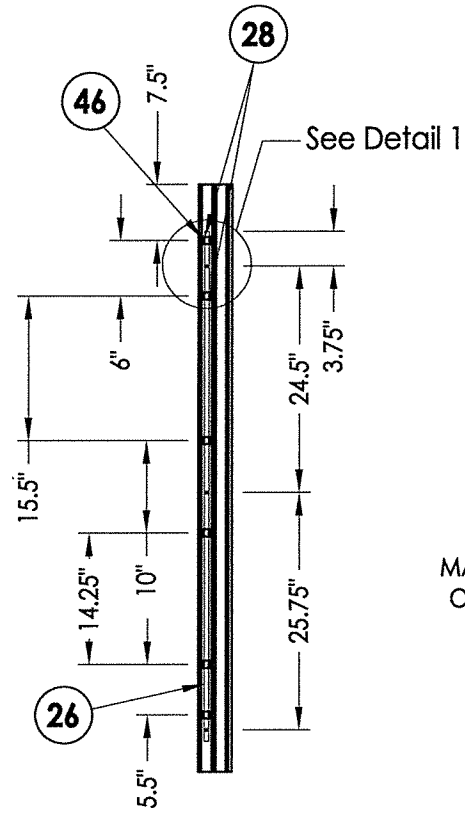
RW
 BUILDING CONSULTANTS, INC.
 P.O. Box 230, Vairico, FL 33595
 Phone No.: 813.659.9197
 FBPE Registry No. 9813

PRODUCT:		FLEETWOOD WINDOWS AND DOORS	
PART OR ASSEMBLY:		VERTICAL CROSS SECTIONS	
NO.	DATE	LFS	BY
5	12/7/21	SERIES NAME CHANGE	LFS
4	8/06/20	UPDATE TO 7th ED. (2020)	FBC
3	8/07/17	UPDATE TO 6TH ED. (2017)	FBC
2	8/22/16	RENUMBER DRAWINGS	LFS
1	1/22/15	UPDATE TO 5TH ED. (2014)	FBC

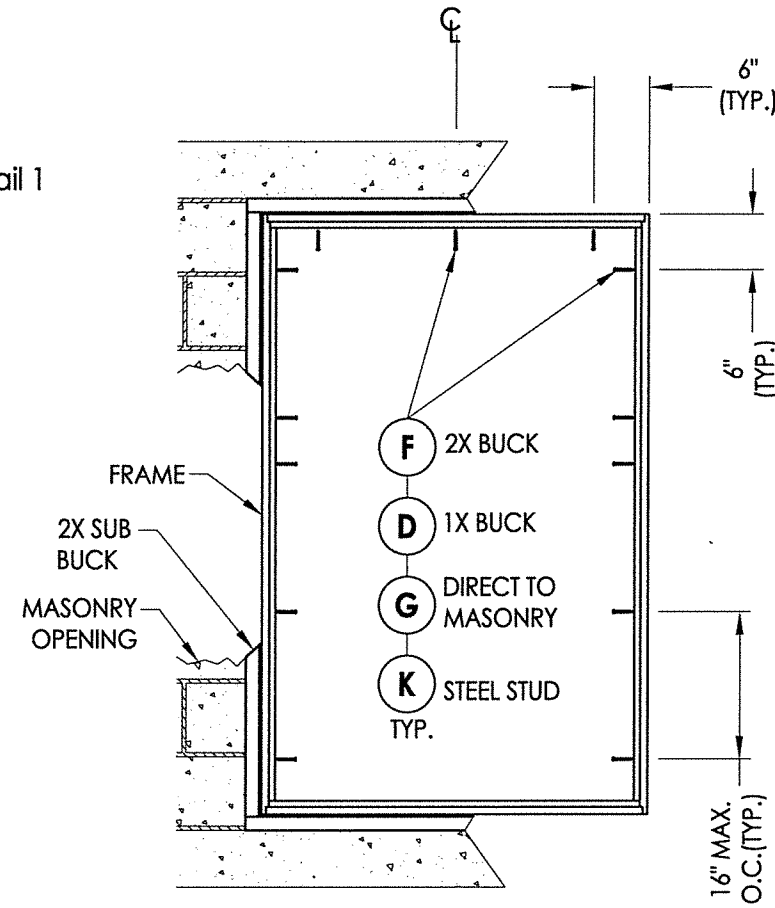
DATE: 10/23/13
 SCALE: N.T.S.
 DWG. BY: JK
 CHK. BY: LFS
 DRAWING NO.: FL-14904.1
 SHEET 5 of 8



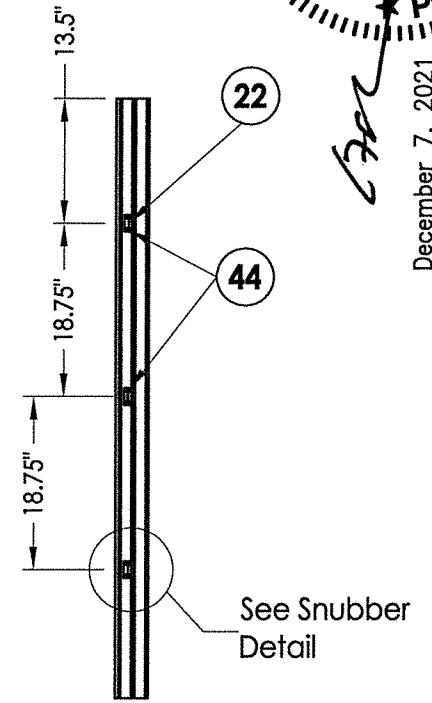
2X BUCK ANCHORING
42" X 65" Max Size



LOCK JAMB
Locking Points (3)



FRAME MOUNT ANCHORING
42" X 65" Max Size



SNUBBERS JAMB

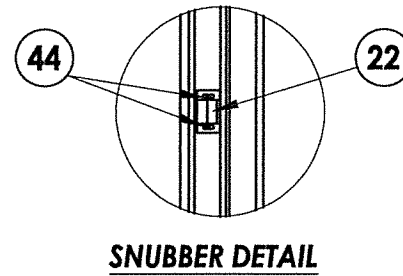
CONCRETE ANCHOR NOTES:

1. Concrete anchor locations at the corners may be adjusted to maintain the min. edge distance to mortar joints.
2. Concrete anchor locations noted as "MAX. ON CENTER" must be adjusted to maintain the min. edge distance to mortar joints, additional concrete anchors may be required to ensure the "MAX. ON CENTER" dimension are not exceeded.
3. Concrete anchor table:

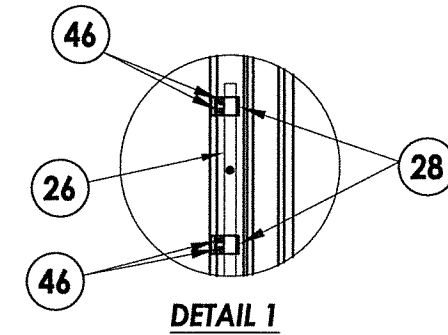
ANCHOR TYPE	ANCHOR SIZE	MIN. EMBEDMENT	MIN. CLEARANCE TO MASONRY EDGE	MIN. CLEARANCE TO ADJACENT ANCHOR
ITW TAPCON®	1/4"	1-1/4"	2"	4"
DeWALT ULTRACON®	1/4"	1-1/4"	1"	4"

WOOD SCREW INSTALLATION NOTES:

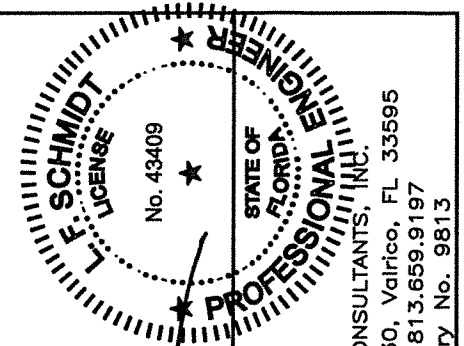
1. Maintain a minimum 5/8" edge distance, 1" end distance, & 1" o.c. spacing of wood screws to prevent the splitting of wood.



SNUBBER DETAIL



DETAIL 1



December 7, 2021
Documents Prepared By:
Lyndon F. Schmidt
P.E. No. 43409

R.W. BUILDING CONSULTANTS, INC.
P.O. Box 230, Valrico, FL 33595
Phone No.: 813.659.9197
FBPE Registry No. 9813

PRODUCT:
FLEETWOOD WINDOWS AND DOORS
PART OR ASSEMBLY:
BUCK & FRAME ANCHORING

NO.	DATE	REVISIONS
5	12/7/21	SERIES NAME CHANGE
4	8/06/20	UPDATE TO 7TH ED. (2020) FBC
3	8/07/17	UPDATE TO 6TH ED. (2017) FBC
2	8/22/16	RENUMBER DRAWINGS
1	1/22/15	UPDATE TO 5TH ED. (2014) FBC

DATE: 10/23/13

SCALE: N.T.S.

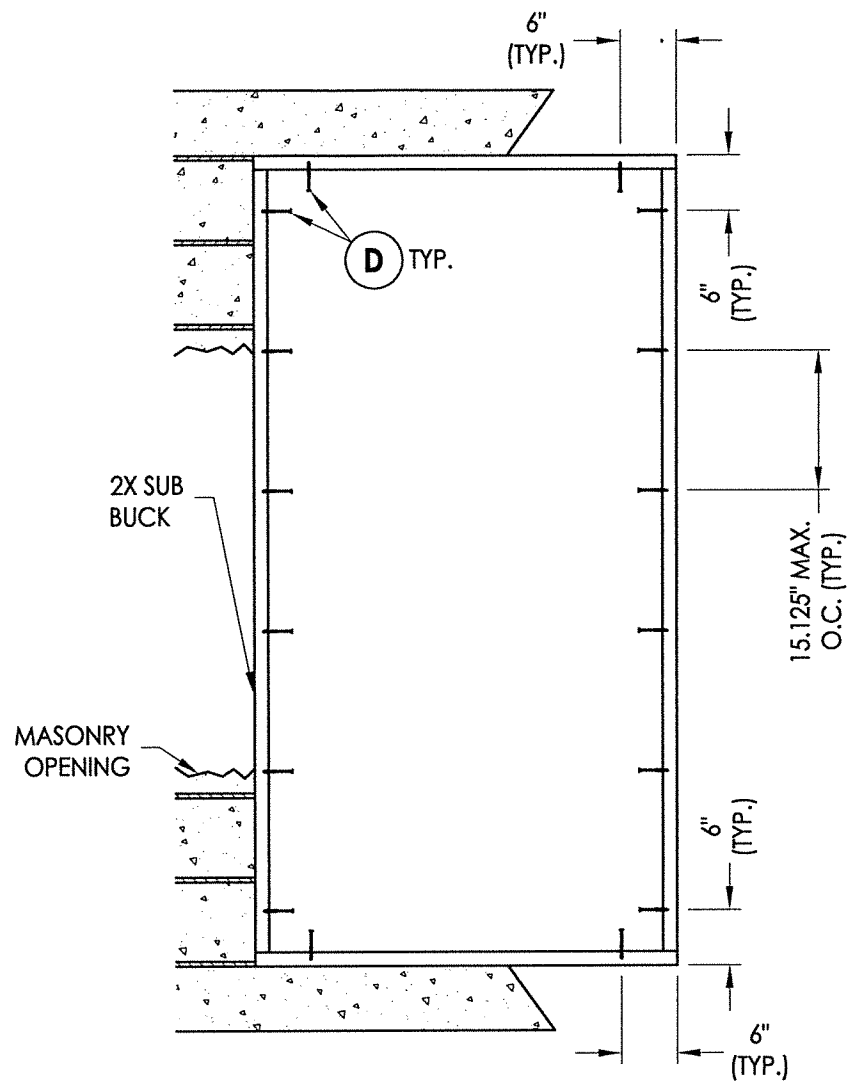
DWG. BY: JK

CHK. BY: LFS

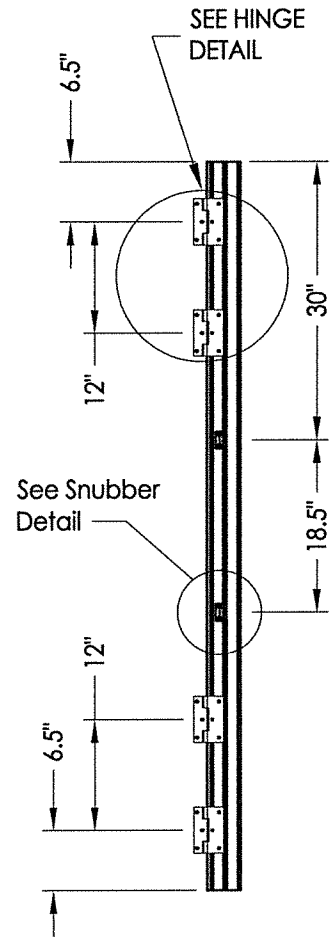
DRAWING NO.:

FL-14904.1

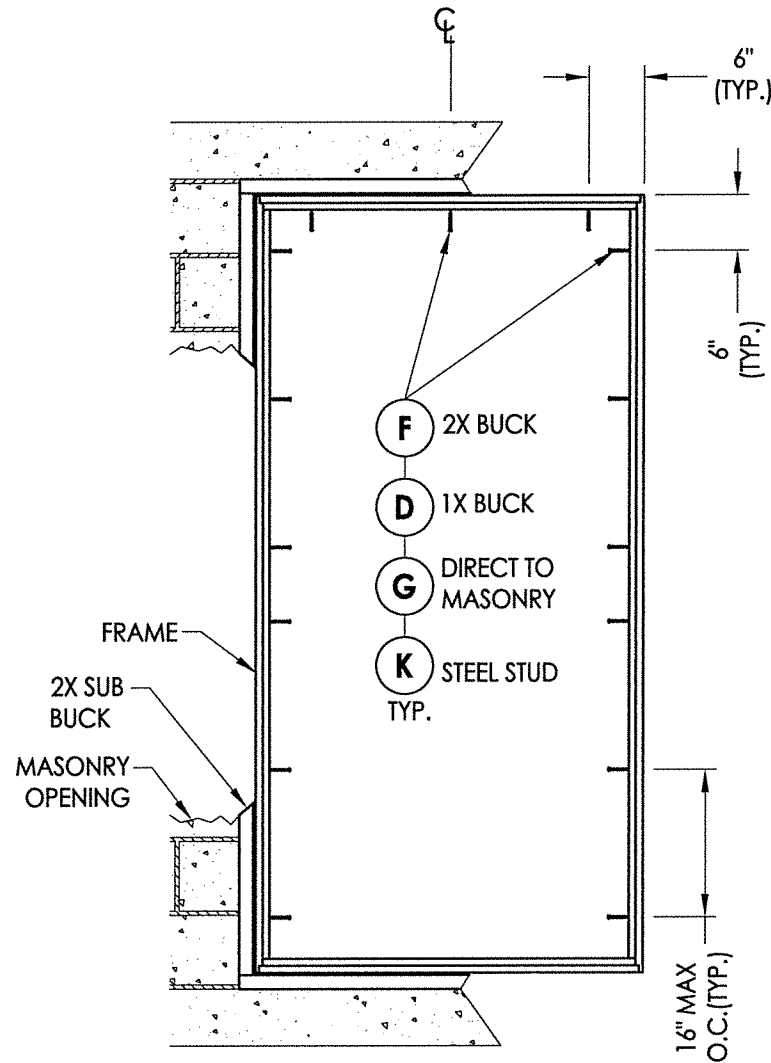
SHEET 6 OF 8



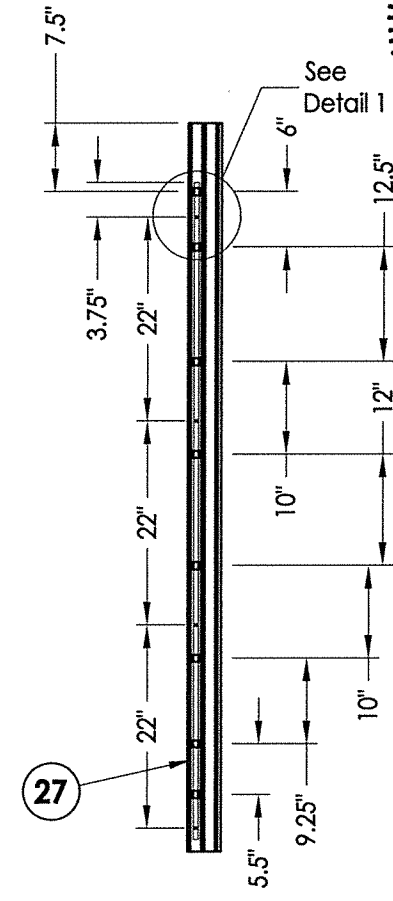
2X BUCK ANCHORING
42" X 84" Max Size



HINGE JAMB



FRAME MOUNT ANCHORING
42" X 84" Max Size



LOCK JAMB
Locking Points (4)

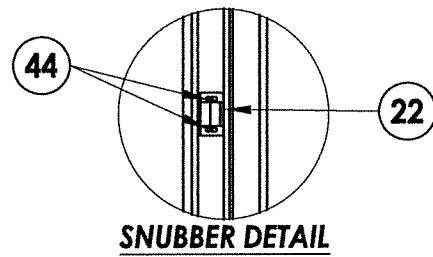
CONCRETE ANCHOR NOTES:

- Concrete anchor locations at the corners may be adjusted to maintain the min. edge distance to mortar joints.
- Concrete anchor locations noted as "MAX. ON CENTER" must be adjusted to maintain the min. edge distance to mortar joints, additional concrete anchors may be required to ensure the "MAX. ON CENTER" dimension are not exceeded.
- Concrete anchor table:

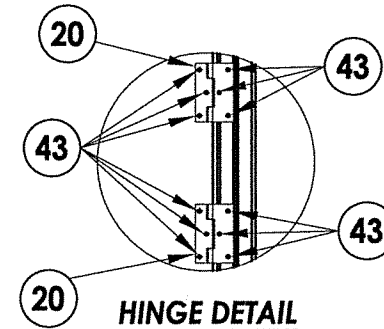
ANCHOR TYPE	ANCHOR SIZE	MIN. EMBEDMENT	MIN. CLEARANCE TO MASONRY EDGE	MIN. CLEARANCE TO ADJACENT ANCHOR
ITW TAPCON®	1/4"	1-1/4"	2"	4"
DeWALT ULTRACON+®	1/4"	1-1/4"	1"	4"

WOOD SCREW INSTALLATION NOTES:

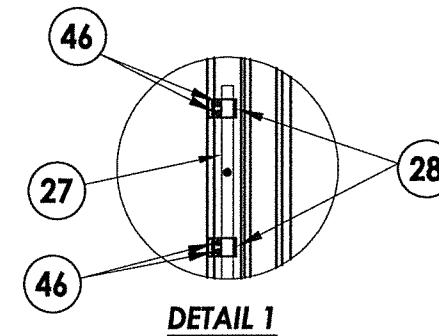
- Maintain a minimum 5/8" edge distance, 1" end distance, & 1" o.c. spacing of wood screws to prevent the splitting of wood.



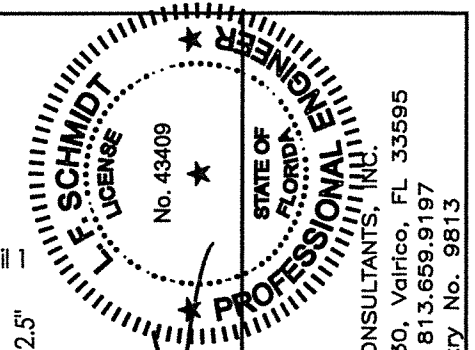
SNUBBER DETAIL



HINGE DETAIL



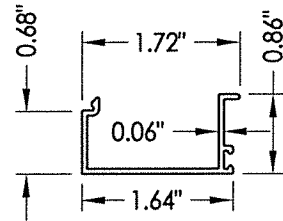
DETAIL 1



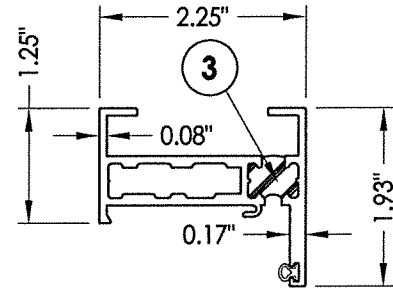
December 7, 2021
 Documents Prepared By:
 Lyndon F. Schmidt
 P.E. No. 43409
 R.W. BUILDING CONSULTANTS, INC.
 P.O. Box 230, Valrico, FL 33595
 Phone No.: 813.659.9197
 FBPE Registry No. 9813

PRODUCT:	FLEETWOOD WINDOWS AND DOORS
PART OR ASSEMBLY:	BUCK & FRAME ANCHORING
REVISIONS	
NO.	DATE
5	12/7/21
4	8/06/20
3	8/07/17
2	8/22/16
1	1/22/15
DATE: 10/23/13	
SCALE: N.T.S.	
DWG. BY: JK	
CHK. BY: LFS	
DRAWING NO.: FL-14904.1	
SHEET 7 OF 8	

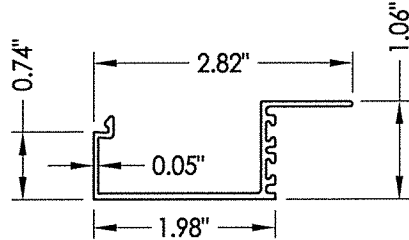
BILL OF MATERIALS		
ITEM #	DESCRIPTION	MATERIAL
A	1X BUCK SG >= 0.55	WOOD
B	2X BUCK SG >= 0.55	WOOD
C	1/4" MAX. SHIM SPACE	-
D	1/4" X 2-3/4" DeWALT OR ITW PFH CONCRETE SCREW	STEEL
E	MASONRY - 3,000 PSI MIN. CONCRETE CONFORMING TO ACI 301 OR HOLLOW BLOCK CONFORMING TO ASTM C90	CONCRETE
F	#10 X 2" PPH WOOD SCREW (1-1/4" MIN. EMBEDMENT)	STEEL
G	1/4" x 2-1/4" DeWALT OR ITW PFH CONCRETE SCREW	STEEL
H	#10 X 2-3/4" PPH WOOD SCREW	STEEL
J	1/4" x 3-1/4" DeWALT OR ITW PFH CONCRETE SCREW	STEEL
K	#10 PPH SELF-DRILLING SMS	STEEL
L	#8 PPH WS (1-3/8" MIN. EMBEDMENT)	STEEL
M	#8 x 1-1/2" PPH SMS (1-3/8" MIN. EMBEDMENT)	STEEL
X	STEEL STUD Min. Thk .033" (ASTM A653 GRADE 33 Fy=33 Ksi Min, Fu=45 Ksi Min)	STEEL
1	FIN BLOCK FRAME (3800-T)	6063-T6 ALUM
2	BLOCK FRAME (3800-T)	6063-T6 ALUM
3	THERMAL BREAK ("LIQUID POLYURETHANE" by Azon USA, Inc.)	-
5	BLOCK FRAME (350-T)	6063-T6 ALUM
7	ZEE BAR (PANEL)	6063-T6 ALUM
9	GLASS STOP (1/4")	6063-T6 ALUM
12	SHEAR BLOCK	6061-T6 ALUM
13	CORNER KEY	6063-T6 ALUM
14	INSERT STOP	6063-T6 ALUM
20	SS. BUTT HINGE	SS
21	4 BAR HINGE	SS
22	SNUBBER-COMMERCIAL PULL-IN BLOCK	SS
23	MULTIPOINT LOCK HANDLE	SS
26	3 POINTS LOCKING BAR (TRUTH)	SS
27	4 POINTS LOCKING BAR (TRUTH)	SS
28	TIE BAR GUIDE (TRUTH)	-
29	KEEPER (TRUTH)	SS
30	CASEMENT ROTOR GEAR 13.5" (TRUTH)	SS
31	CASEMENT ROTOR GEAR 9.5" (TRUTH)	SS
35	CAM HANDLE / STRIKE PLATE	SS
36	CASEMENT SS. TRACK (TRUTH)	SS
40	#10 X 1" PPH SMS	STEEL
42	MACHINGE SCREW NO 10-32, FHP .75"	STEEL
43	SCREW NO 10, UFHP .5"	STEEL
44	SCREW NO 8, PHP, .50"	STEEL
46	SCREW NO 8, FHP, .750"	STEEL
48	BACK UP NUTS	STEEL
50	BULB VINYL (EPDM 70 DUROMETER) - TREMCO	-
51	MINI BULB VINYL (EPDM 70 DUROMETER) - TREMCO	-
52	WOOD BLOCK .750" X 1.250"	-
53	ALUMINUM BLOCK .750" X 1.250"	-
54	PVC BLOCK .750" X 1.250"	-
55	SETTING BLOCK	-
57	PIVOT SHIM	-
58	WOOD BLOCK .50" X 1.250"	-
59	ALUMINUM BLOCK .50" X 1.250"	-
60	PVC BLOCK .50" X 1.250"	-



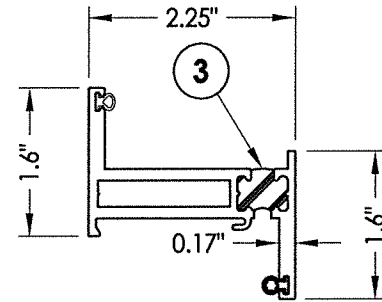
9 GLASS STOP 1/4"



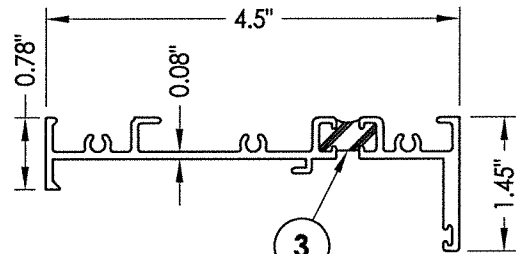
5 BLOCK FRAME



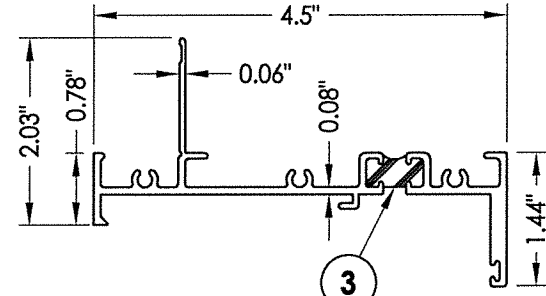
14 INSERT STOP



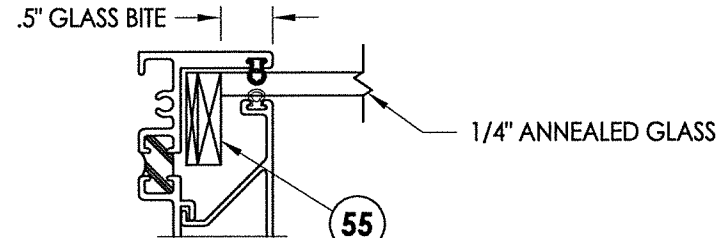
7 ZEE BAR (PANEL)



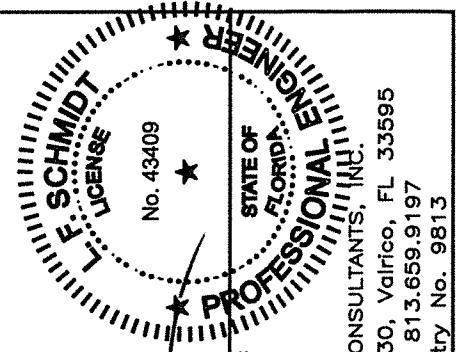
2 BLOCK FRAME



1 FIN BLOCK FRAME



G1 GLAZING DETAIL



December 7, 2021
 Documents Prepared By:
 Lyndon F. Schmidt
 P.E. No. 43409

R.W.
 BUILDING CONSULTANTS, INC.
 P.O. Box 230, Valrico, FL 33595
 Phone No.: 813.659.9197
 FBPE Registry No. 9813

PRODUCT: FLEETWOOD WINDOWS AND DOORS
 PART OR ASSEMBLY: BILL OF MATERIALS, COMPONENTS AND GLAZING DETAIL

NO.	DATE	REVISIONS
5	12/7/21	SERIES NAME CHANGE
4	8/06/20	UPDATE TO 7th ED. (2020) FBC DAC
3	8/07/17	UPDATE TO 6TH ED. (2017) FBC
2	8/22/16	RENUMBER DRAWINGS
1	1/22/15	UPDATE TO 5TH ED. (2014) FBC
		BY

DATE: 10/23/13
 SCALE: N.T.S.
 DWG. BY: JK
 CHK. BY: LFS
 DRAWING NO.: FL-14904.1
 SHEET 8 OF 8