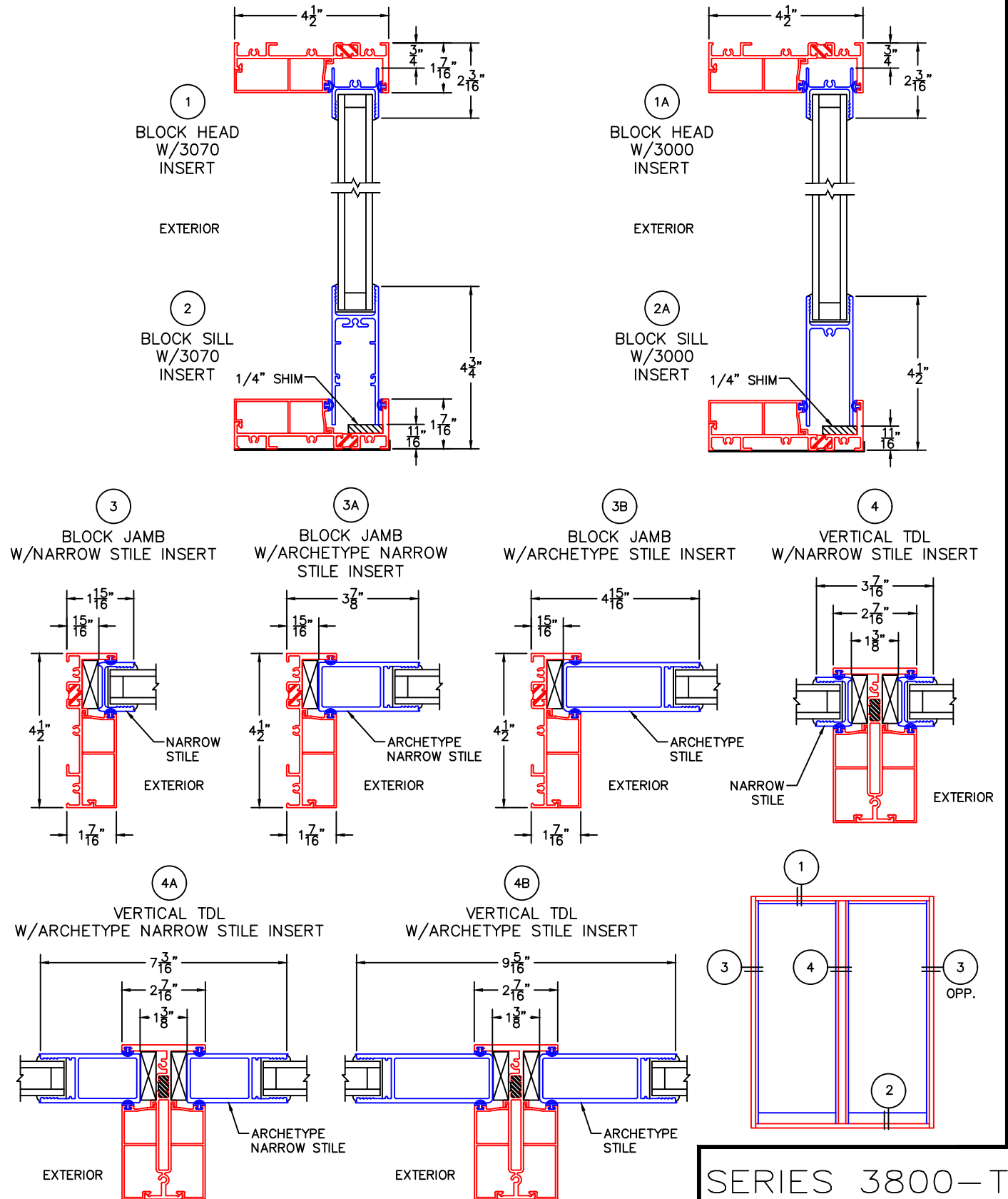


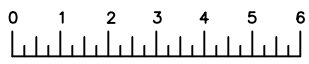
[Product Specifications Click Here](#)



(USE RULER TO SCALE DIMENSIONS IN INCHES)
SCALE: 1/4"

DOOR PANEL INSERTS

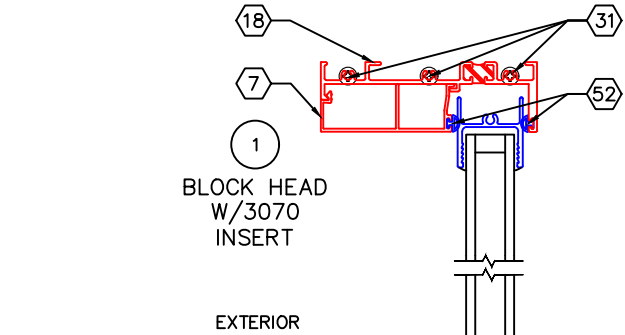




(USE RULER TO SCALE DIMENSIONS IN INCHES)
SCALE: 1/4

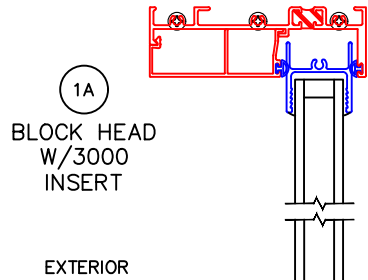
DOOR PANEL INSERTS

[Architecturals Click Here](#) [Parts List Click Here](#)



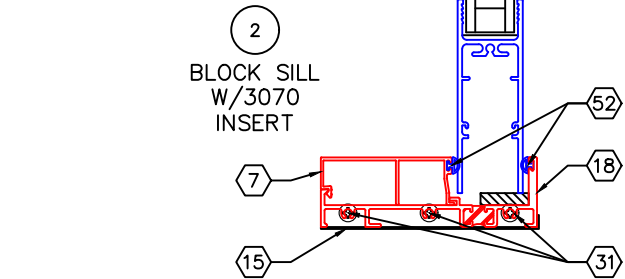
1
BLOCK HEAD
W/3070
INSERT

EXTERIOR

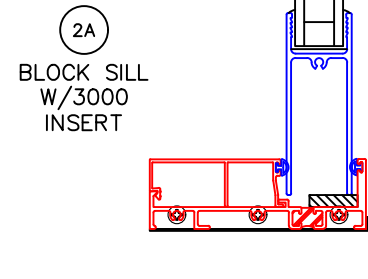


1A
BLOCK HEAD
W/3000
INSERT

EXTERIOR



2
BLOCK SILL
W/3070
INSERT



2A
BLOCK SILL
W/3000
INSERT



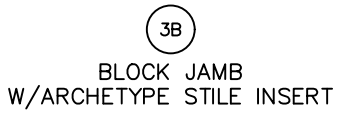
3
BLOCK JAMB
W/NARROW
STILE INSERT

EXTERIOR



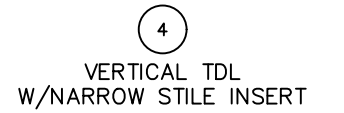
3A
BLOCK JAMB
W/ARCHETYPE
NARROW
STILE INSERT

EXTERIOR



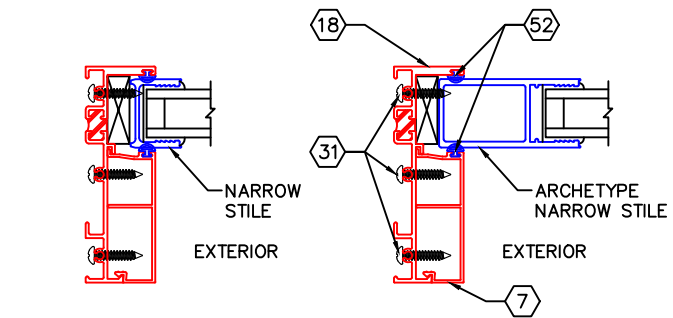
3B
BLOCK JAMB
W/ARCHETYPE
STILE INSERT

EXTERIOR



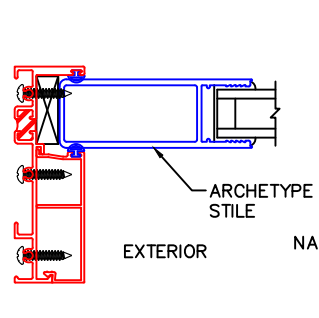
4
VERTICAL TDJ
W/NARROW
STILE INSERT

EXTERIOR



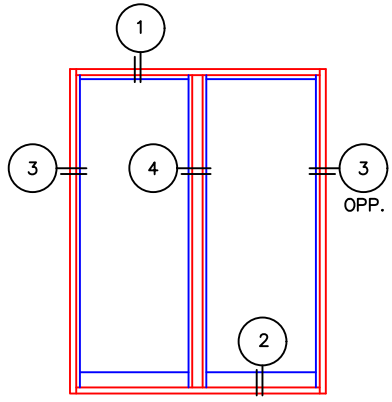
4A
VERTICAL TDJ
W/ARCHETYPE
NARROW STILE INSERT

EXTERIOR



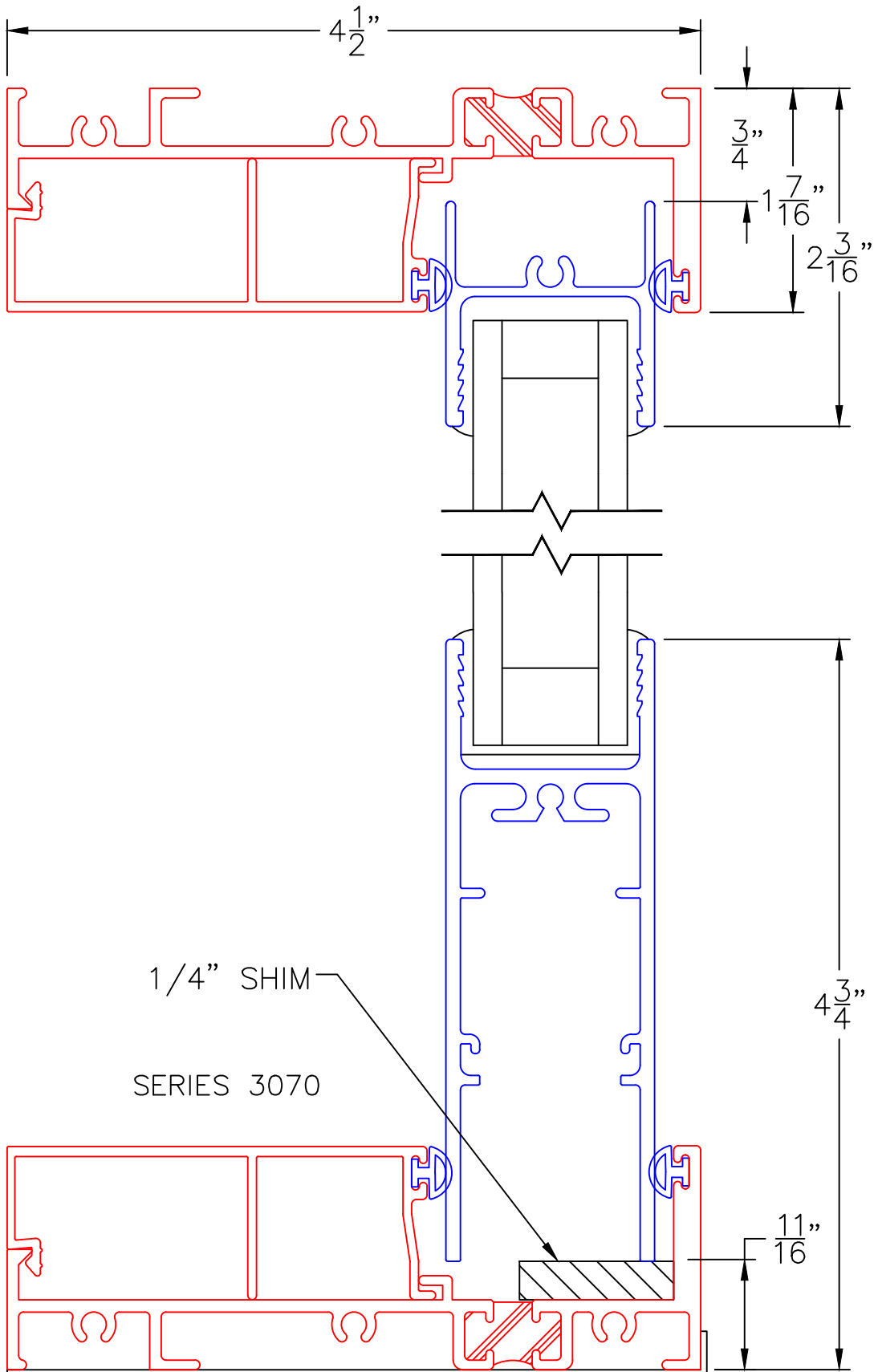
4B
VERTICAL TDJ
W/ARCHETYPE
STILE INSERT

EXTERIOR



0 0.5 1
(USE RULER TO SCALE DIMENSIONS IN INCHES)
SCALE: FULL

WINDOW INSERT DETAILS
1" INSULATED GLAZING



1
BLOCK HEAD
W/INSERT

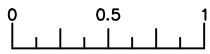
EXTERIOR

2
BLOCK SILL
W/INSERT

$1\frac{1}{4}$ " SHIM

SERIES 3070

$1\frac{11}{16}$ "



(USE RULER TO SCALE DIMENSIONS IN INCHES)

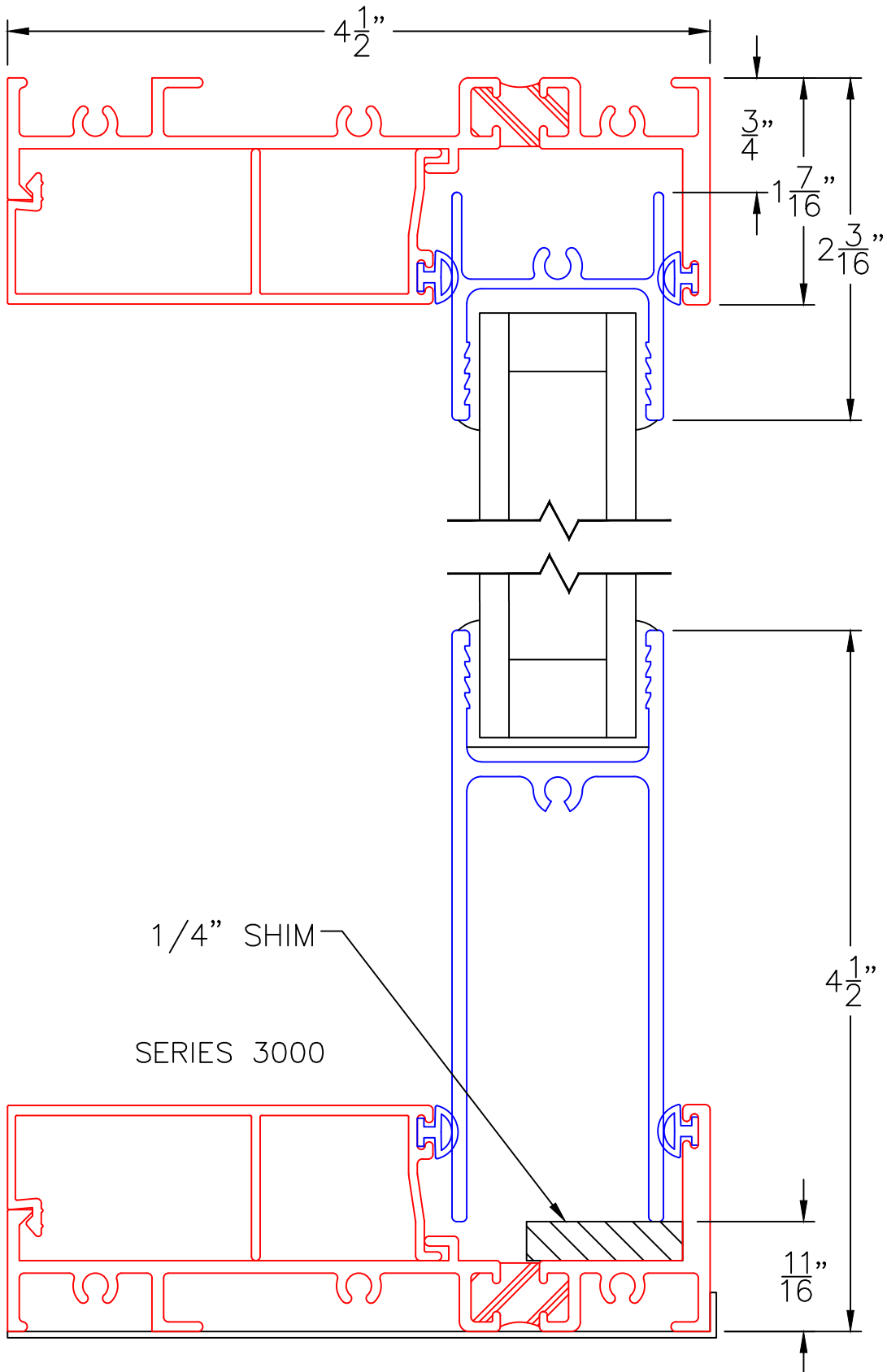
SCALE: FULL

WINDOW INSERT DETAILS
1" INSULATED GLAZING

1A
BLOCK HEAD
W/INSERT

EXTERIOR

2A
BLOCK SILL
W/INSERT

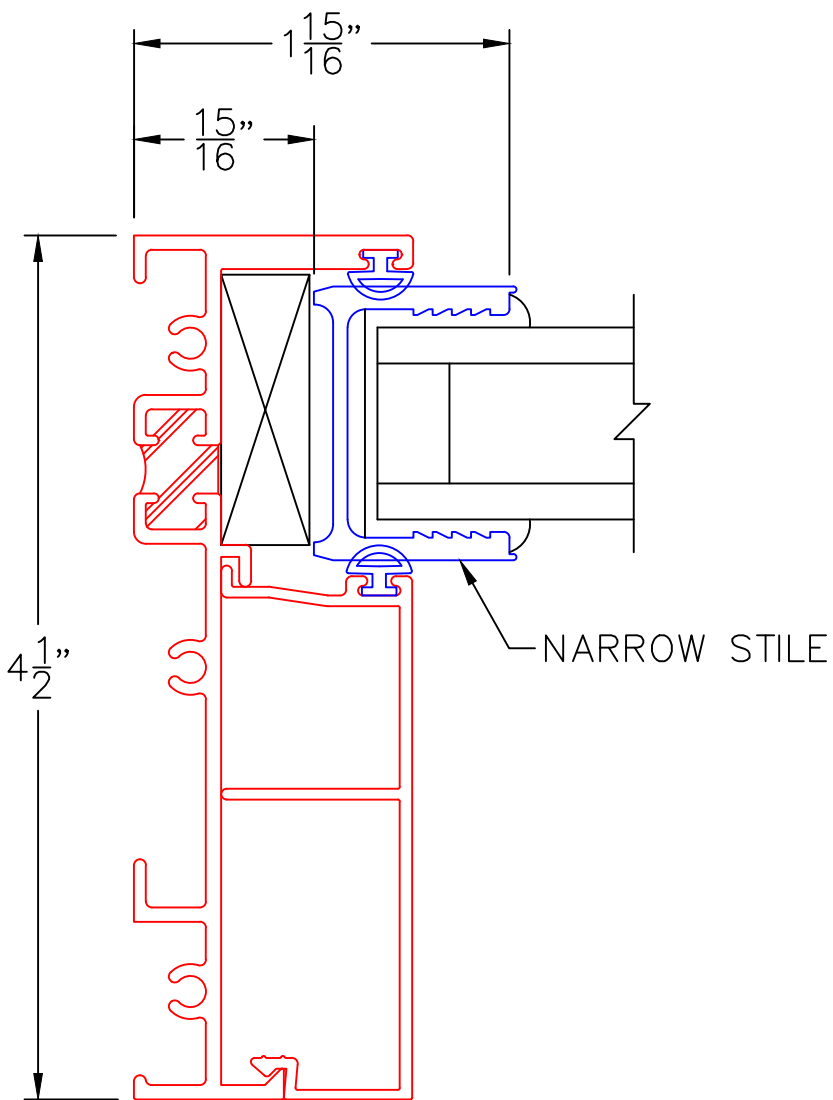


0 0.5 1
(USE RULER TO SCALE DIMENSIONS IN INCHES)
SCALE: FULL

WINDOW INSERT DETAILS
1" INSULATED GLAZING

3

BLOCK JAMB
W/NARROW STILE INSERT



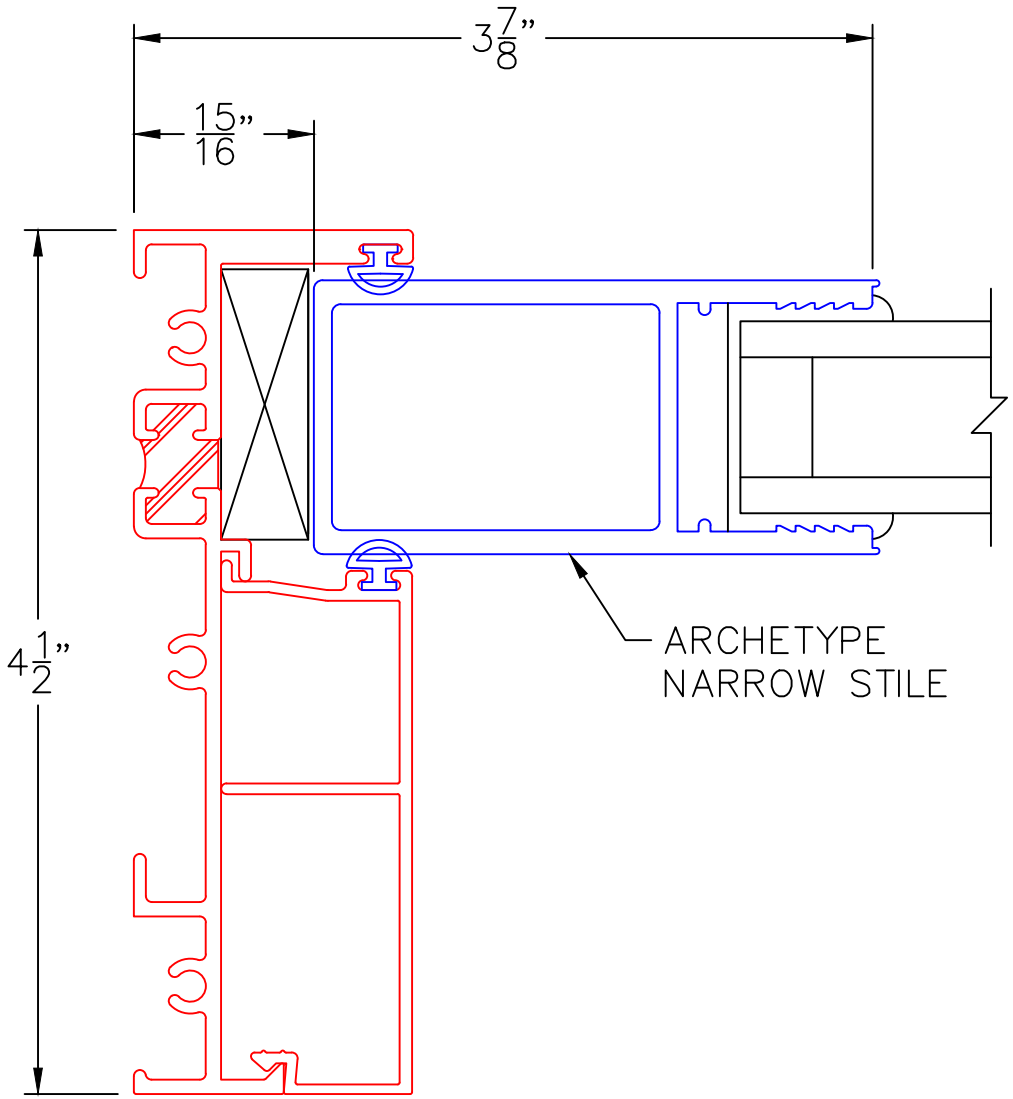
EXTERIOR

0 0.5 1
(USE RULER TO SCALE DIMENSIONS IN INCHES)
SCALE: FULL

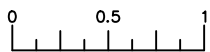
WINDOW INSERT DETAILS
1" INSULATED GLAZING

3A

BLOCK JAMB
W/ARCHETYPE NARROW
STILE INSERT



EXTERIOR



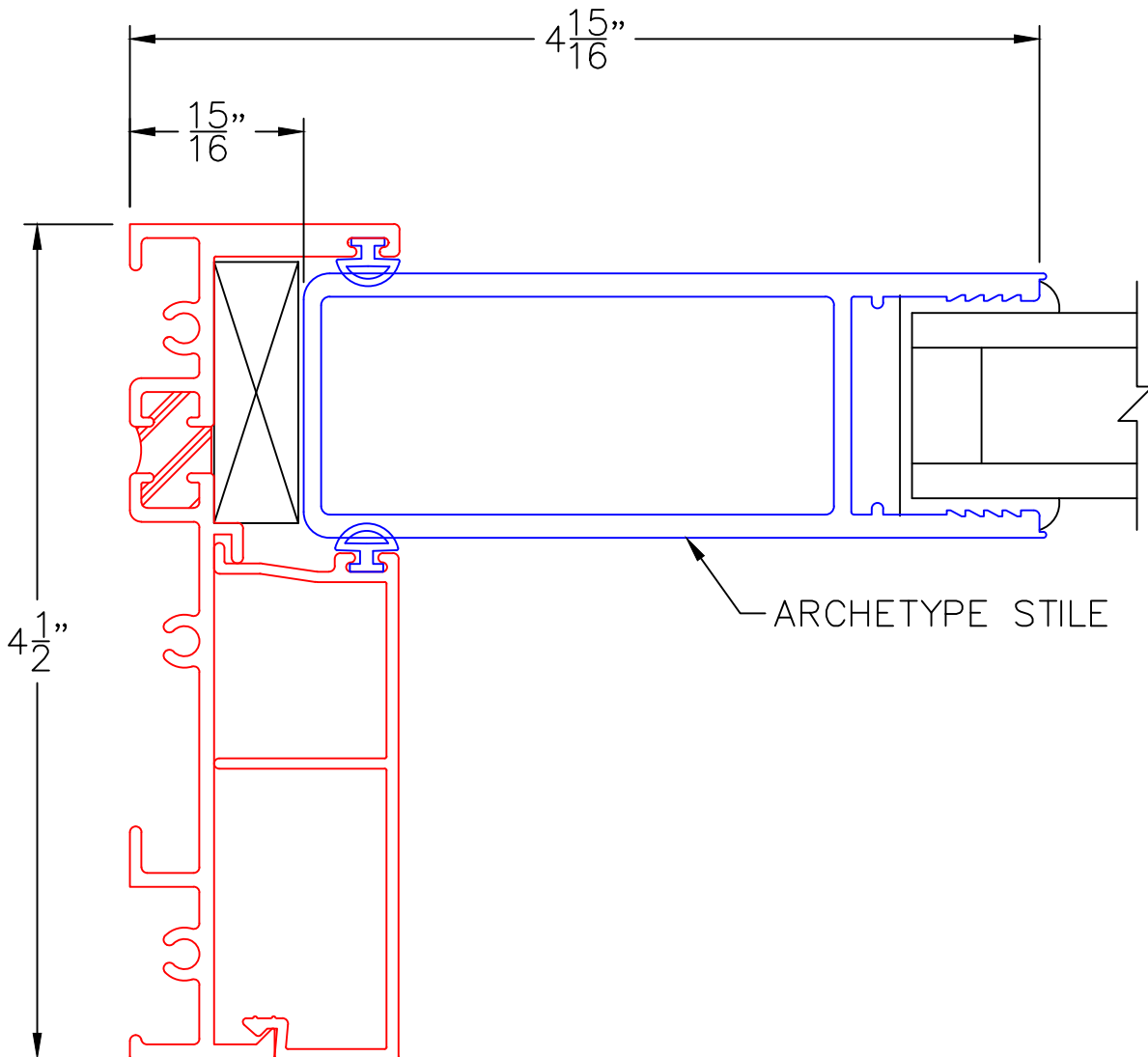
(USE RULER TO SCALE DIMENSIONS IN INCHES)

SCALE: FULL

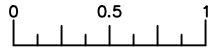
WINDOW INSERT DETAILS
1" INSULATED GLAZING

3B

BLOCK JAMB
W/ARCHETYPE STILE INSERT



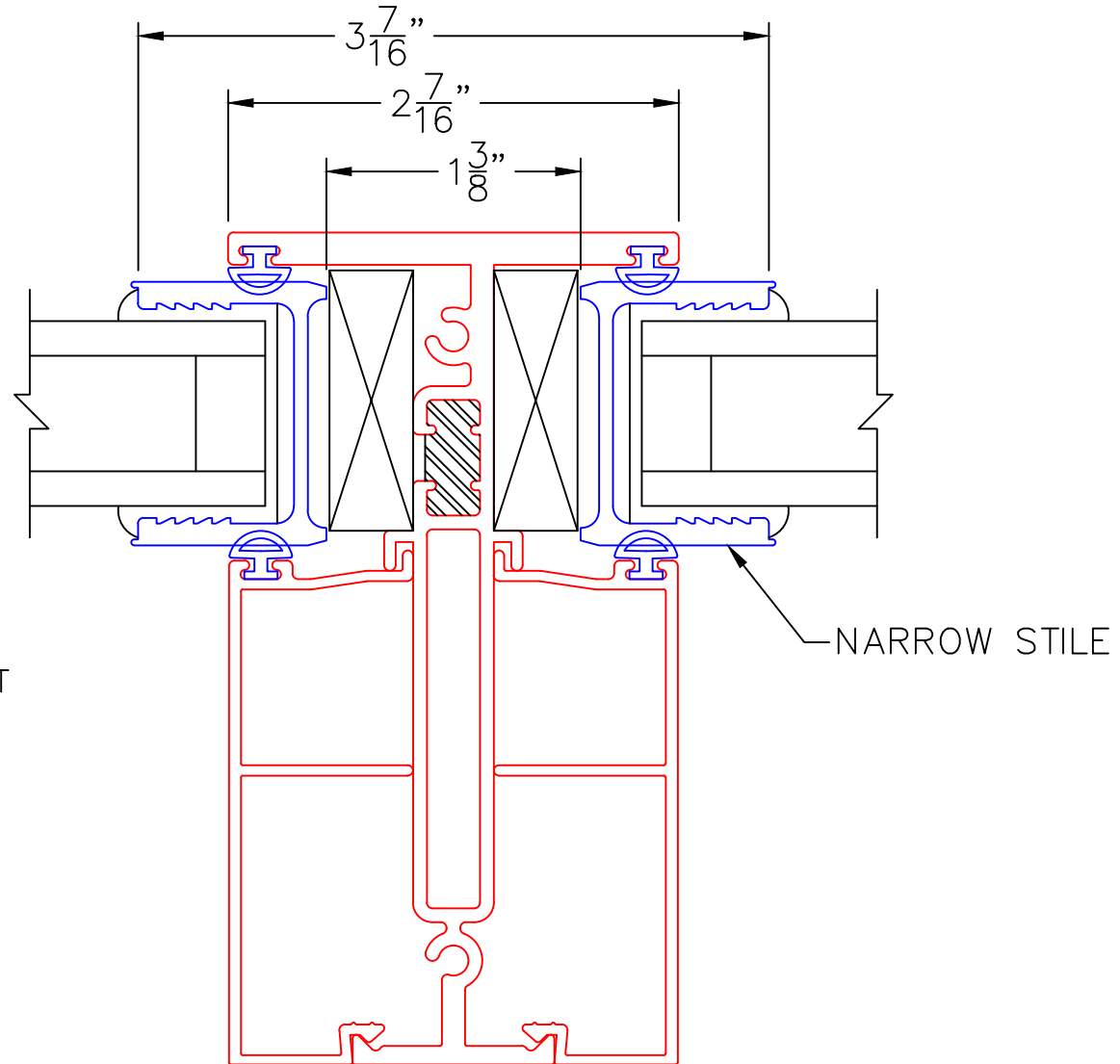
EXTERIOR



(USE RULER TO SCALE DIMENSIONS IN INCHES)

SCALE: FULL

WINDOW INSERT DETAILS
1" INSULATED GLAZING

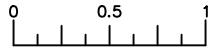


4

VERTICAL TDL
W/NARROW STILE INSERT

NARROW STILE

EXTERIOR



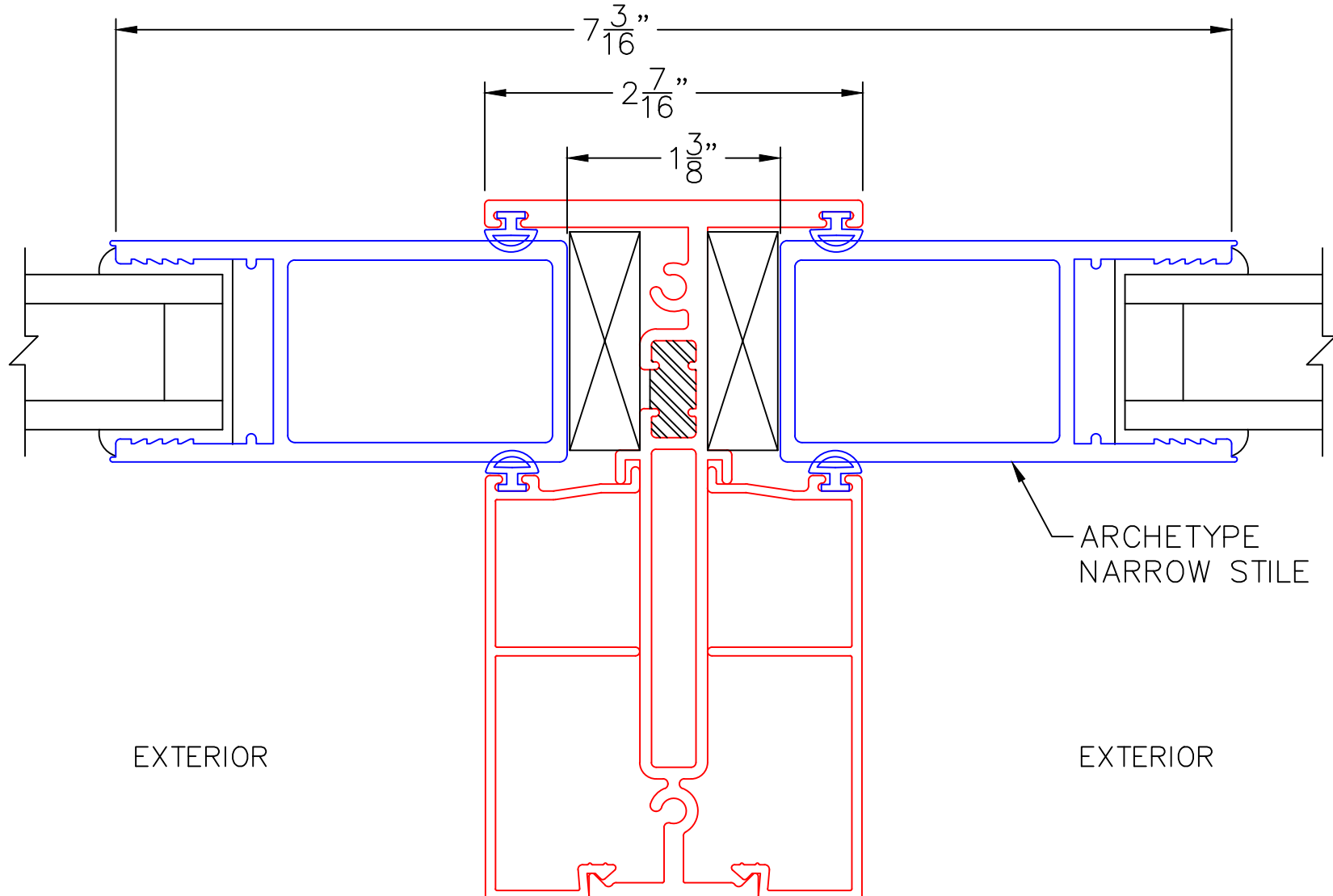
(USE RULER TO SCALE DIMENSIONS IN INCHES)

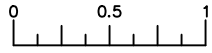
SCALE: FULL

WINDOW INSERT DETAILS 1" INSULATED GLAZING

4A

VERTICAL TDL W/ARCHETYPE NARROW STILE INSERT





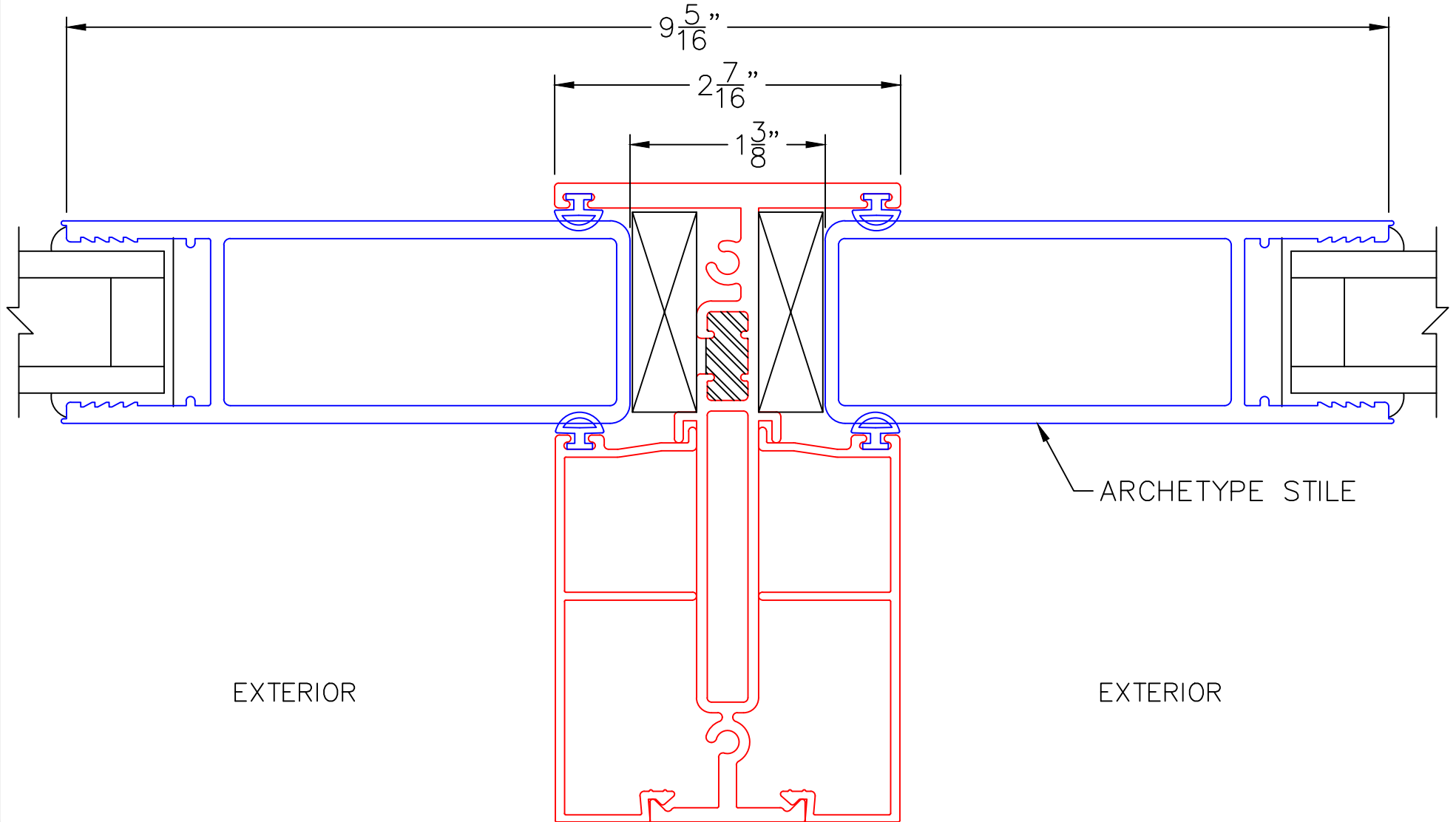
(USE RULER TO SCALE DIMENSIONS IN INCHES)

SCALE: FULL

WINDOW INSERT DETAILS 1" INSULATED GLAZING






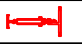

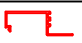

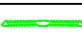

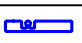
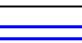




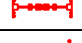




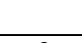



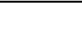


4B

VERTICAL TDL W/ARCHETYPE STILE INSERT



[Architecturals
Click Here](#)

[Product Specs
Click Here](#)

BILL OF MATERIALS			
ITEM#	PART#	DESCRIPTION	IMAGE
ALUMINUM EXTRUSIONS			
1	3801	1" GLAZING BEAD	
2	3802	1" BENDABLE GLAZING BEAD	
3	3803	1/4" GLAZING BEAD	
4	3804	9/16" GLAZING BEAD	
5	3805	4.5 FRAME	
6	3806	TDL	
7	3807	1-1/2" SERIES GLASS STOP	
8	3810	2-1/4" SERIES GLASS STOP	
9	3811	1 1/4" GLASS STOP	
10	3812	INTERSECTING MULLION KEY (INTERSECTING TDL)	
11	3814	APPLIED GRID INTERIOR	
12	3815	SHEAR BLOCK (FOR HP ONLY)	
13	FW1194	2.0" x 0.25" ALUMINUM BAR (INTERSECTING TDL HP ONLY)	
14	FW1195	1.5" x 0.25" ALUMINUM BAR (INTERSECTING TDL HP ONLY)	
15		SILL PAN, BLOCK FRAME	
16		SILL PAN, NAIL ON	
17	3082	THERMAL MULLION	
18	3809	4.5 BLOCK FRAME	
19	3816	1 1/4" TIERED GLASS STOP	
20	3817	90° CORNER BUTT GLAZED EXTERIOR CAP/COVER FOR 1.25" GLASS	
21	3818	90° CORNER BUTT GLAZED INTERIOR CAP/COVER FOR 1.25" GLASS	
HARDWARE			
31	VARY BY COLOR	SCREW NO 10, PPH, 1.00"	
32	VARY BY COLOR	SCREW NO 6, PFHU, .50"	
33	VARY BY COLOR	SCREW NO 8, PFH, 1 1/2"	
SEAL & SEALANT			
51	25199	BULB VINYL - MINI (ASTM C864)	
52	25031	BULB VINYL - LARGE (ASTM C864)	
53	19120	Q-LON WEATHERSTRIP (U 5212)	
54	18622	SETTING BLOCK 3/8 X 1 X 4	
55	18621	SETTING BLOCK 1/8 X 1 X 4	
56	23217	RIGID PVC SETTING BLOCK	