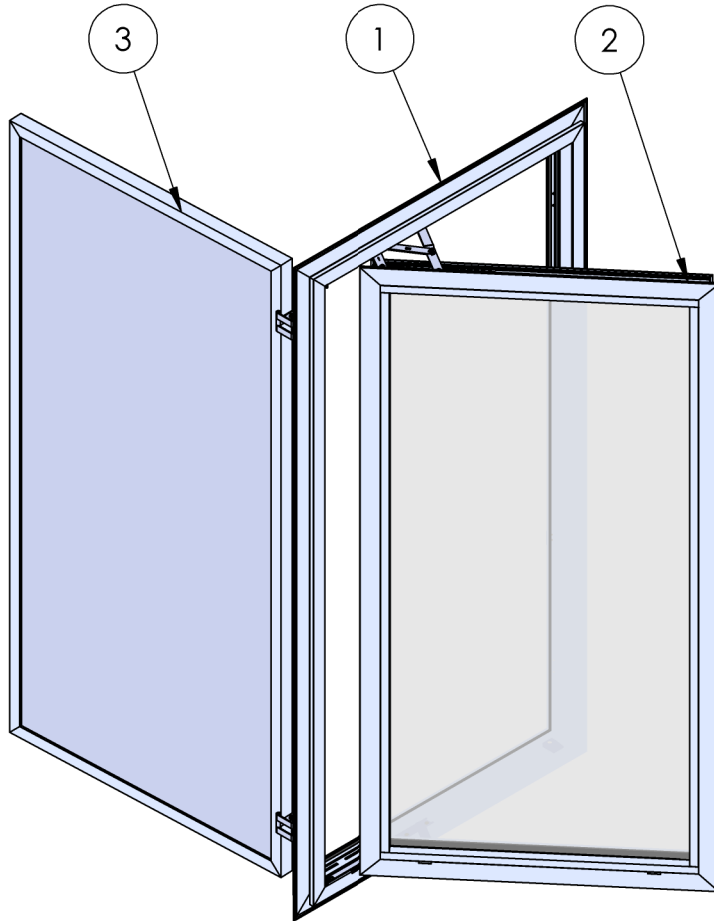


ASSEMBLY / PARTS LIST (B.O.M.)

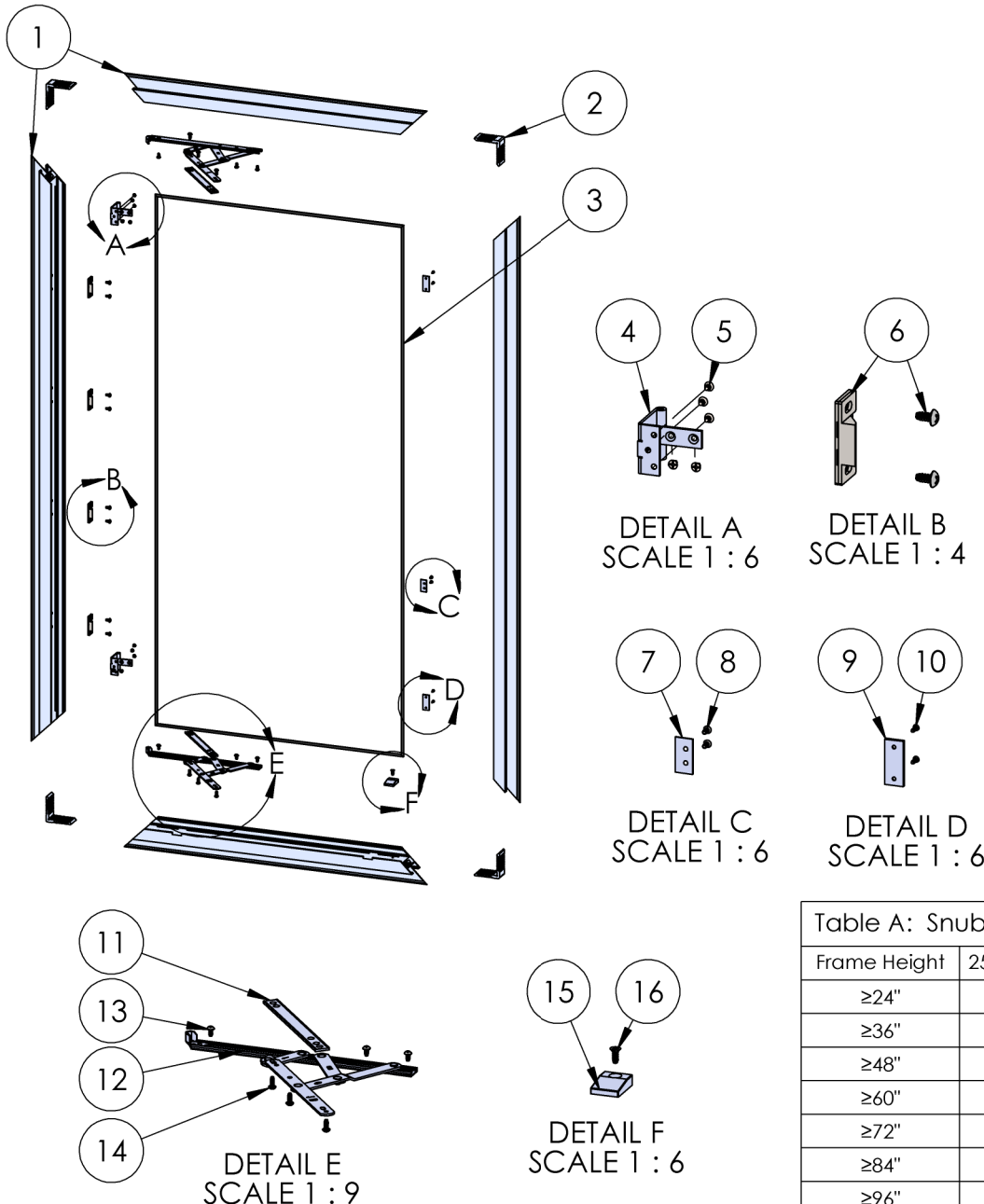
Series: 350-T
Type: Casement (C) with 4 Bar Hinges & Cam Handle

ITEM NO.	DESCRIPTION	QTY.	PAGE #
1	FRAME ASSEMBLY	1	2
2	PANEL ASSEMBLY	1	3
3	HINGE SCREEN ASSEMBLY	1	4



Description Table of Contents	
File Name Series 350-T C Casement Assembly with 4 Bar Hinges and Cam Handle	REV C
Released 9/17/2024	SHEET 1 OF 4

ASSEMBLY / PARTS LIST (B.O.M.)



EXTRUSIONS			
ITEM NO.	PART NUMBER	DESCRIPTION	QTY.
1	05P88, 05P19	Perimeter -OG (Nail-on, Block)	4
2	05P04	Corner Key, 1.375 in.	4
HARDWARE			
ITEM NO.	PART NUMBER	DESCRIPTION	QTY.
3	26233	Flexible Bulb Vinyl	1
4	25216, 25756	Screen Hinge V2 (Clear, Black)	2
5	25782, 25783	#8 FHP-B-UC Screw, 3/8" (SS, Black)	10
6	See Table A	Snubber, Frame Portion	4
7	27285	Cam Handle Strike	1
8	27286	#6-32 Torx Screw, 0313", SS, T10	2
9	26149	Hinged Screen Magnet (1 Per Kit)	2
10	25784	#4 FHP-B-UC Screw, 3/8"	4
11	26229, 26230, 26231, 26232	4 Bar Shim (10", 12", 16", 22")	2
12	24932, 22865, 24654, 24655, 22868, 18811	4 Bar Hinge Set (8", 10", 12", 16", 22", 16" Egress (requires 2))	1
13	20337	#10 PHP-B, 3/8", Clear	6
14	20338	#10 PHP-B, 1/2", Clear	6
15	18770	Large Pivot Shim	1
16	20272	#10 FHP-B-UC, 1/2", SS, Clear	1

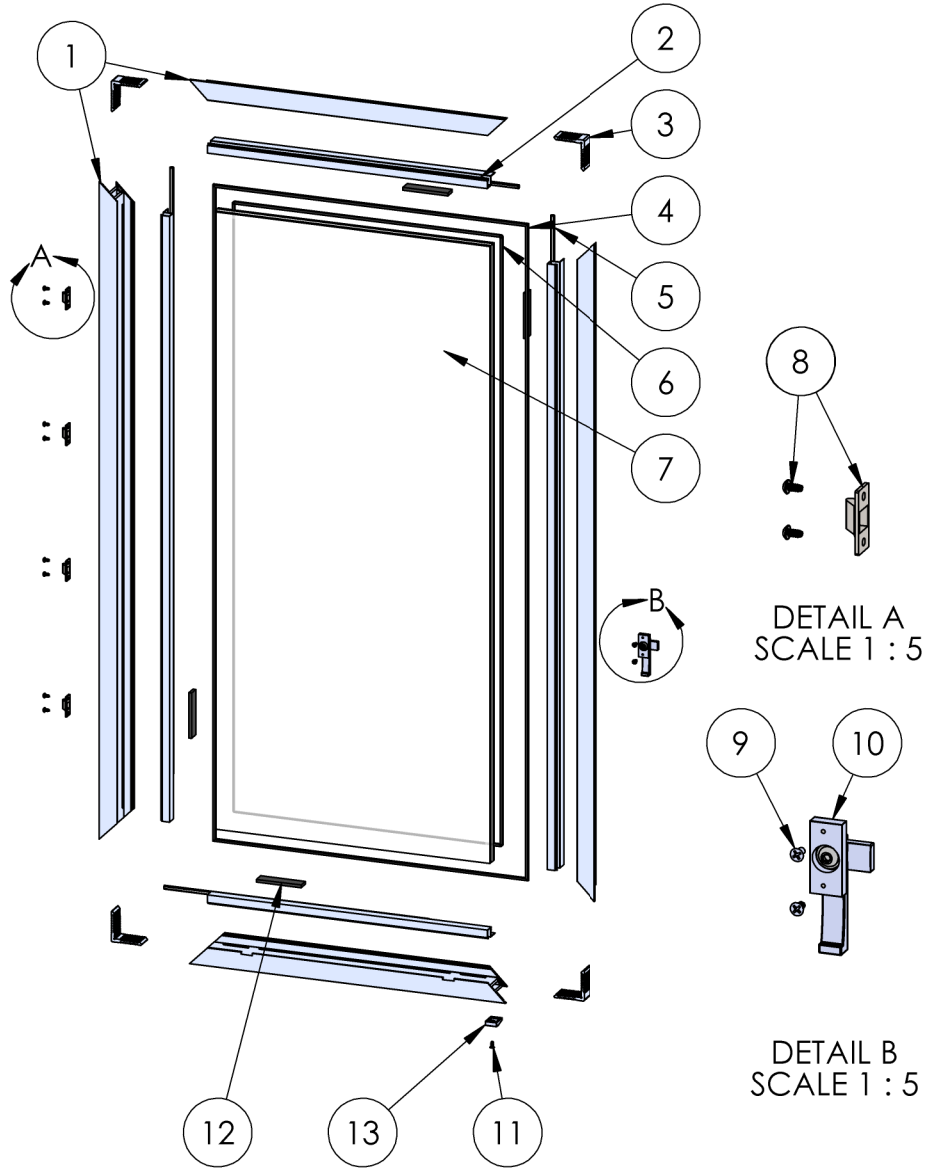
Table A: Snubber Option (HVHZ only)

Frame Height	25245 Snubber	20337 Screw
≥24"	1	4
≥36"	2	8
≥48"	3	12
≥60"	4	16
≥72"	5	20
≥84"	6	24
≥96"	7	28

Description	
Frame Assembly	
File Name	REV
Series 350-T C Casement Assembly with 4 Bar Hinges and Cam Handle	C
Released	SHEET 2 OF 4
9/17/2024	

PROPRIETARY AND CONFIDENTIAL
THE INFORMATION CONTAINED IN THIS DRAWING IS THE SOLE PROPERTY OF FLEETWOOD WINDOWS & DOORS.
ANY REPRODUCTION IN PART OR AS A WHOLE WITHOUT THE WRITTEN PERMISSION OF FLEETWOOD WINDOWS & DOORS IS PROHIBITED.

ASSEMBLY / PARTS LIST (B.O.M.)



EXTRUSIONS

ITEM NO.	PART NUMBER	DESCRIPTION	QTY.
1	05P11	Zee Bar	4
2	05P09, 05P12, 05P10, 05P06, 05P05	Glass Stop (1", 1.25", 1.5", 5/8", 9/16" & 1/2", 1/4")	4
3	05P04	Corner Key, 1.375 in.	4

HARDWARE

ITEM NO.	PART NUMBER	DESCRIPTION	QTY.
4	26233	Flexible Bulb Vinyl	1
5	25031	Bulb Vinyl-Large	4
6	25199	Mini Bulb Vinyl	1
7	-	Glass	1
8	See Table A	Snubber (HVHZ only)	VARIABLE
9	20266	#10-32 FHP-B-UC Screw, .375"	2
10	26059, 26062, 26060, 26063	Cam Handle (RH, SS, Black, LH, SS, Black)	1
11	20272	#10 FHP-B-UC, 1/2", SS, Clear	1
12	18620	Setting Block 4" x 1/4"x1"	4
13	18770	Large Pivot Shim	1

Description

Panel Assembly

File Name

Series 350-T C Casement
Assembly with 4 Bar Hinges
and Cam Handle

REV
C

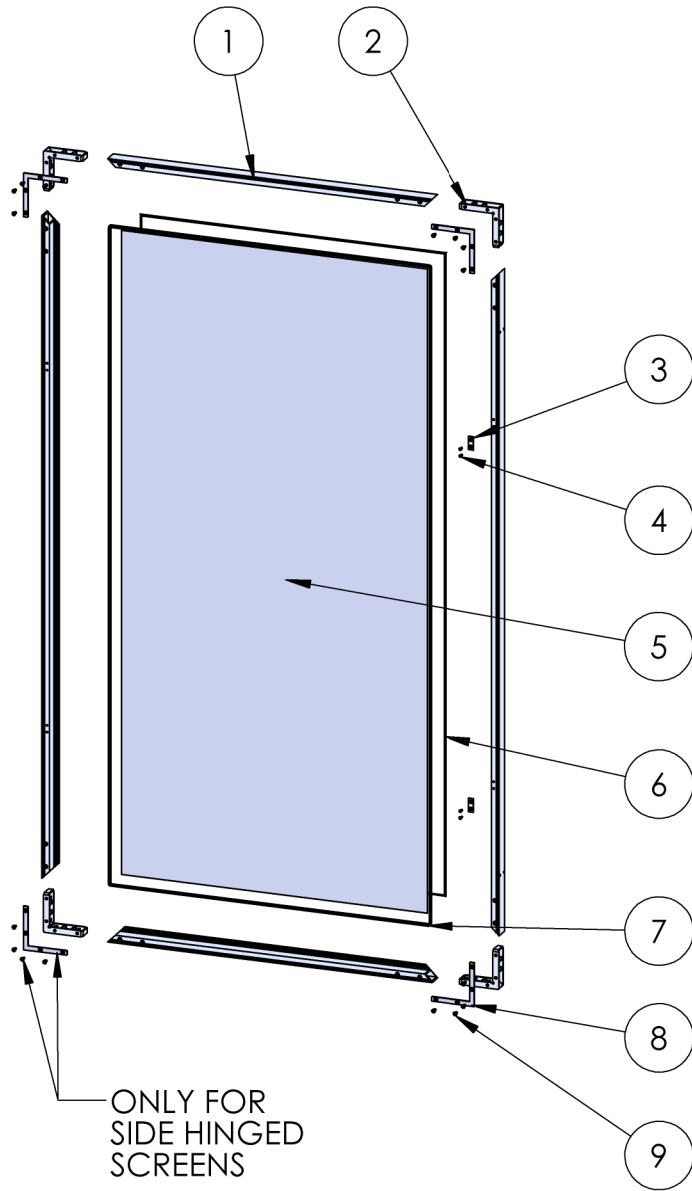
Released 9/17/2024

SHEET 3 OF 4

PROPRIETARY AND CONFIDENTIAL

THE INFORMATION CONTAINED IN THIS DRAWING IS THE SOLE PROPERTY OF FLEETWOOD WINDOWS & DOORS.
ANY REPRODUCTION IN PART OR AS A WHOLE WITHOUT THE WRITTEN PERMISSION OF FLEETWOOD WINDOWS & DOORS IS PROHIBITED.

ASSEMBLY / PARTS LIST (B.O.M.)



EXTRUSIONS

ITEM NO.	PART NUMBER	DESCRIPTION	QTY.
1	958	Hinged Screen Frame	4

HARDWARE

ITEM NO.	PART NUMBER	DESCRIPTION	QTY.
2	25759	Corner Key	4
3	26149	Hinge Screen Magnet and Strike Kit	2
4	25784	#4 FHP-B-UC Screw, 3/8"	4
5	-	Screen Mesh	1
6	19127	Screen Rubber Spline .150	1
7	25189	Q-Lon Foam Seal	1
8	25400, 25401	Hinge Screen Brace (BL, SS)	4
9	20240, 20241	#8 FHP - A - UC, 1/2", (SS, Black)	16

ONLY FOR
SIDE HINGED
SCREENS

PROPRIETARY AND CONFIDENTIAL
THE INFORMATION CONTAINED IN THIS DRAWING IS THE SOLE PROPERTY OF FLEETWOOD WINDOWS & DOORS.
ANY REPRODUCTION IN PART OR AS A WHOLE WITHOUT THE WRITTEN PERMISSION OF FLEETWOOD WINDOWS & DOORS IS PROHIBITED.

Description Hinge Screen Assembly	
File Name Series 350-T C Casement Assembly with 4 Bar Hinges and Cam Handle	REV C
Released 9/17/2024	SHEET 4 OF 4