

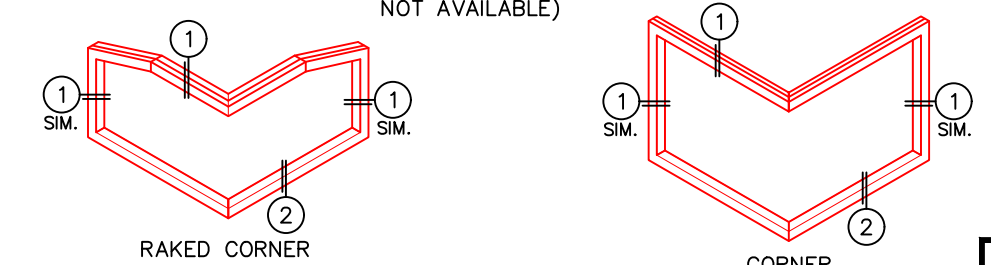
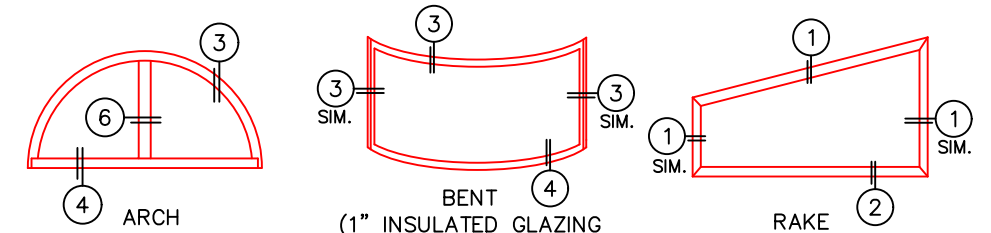
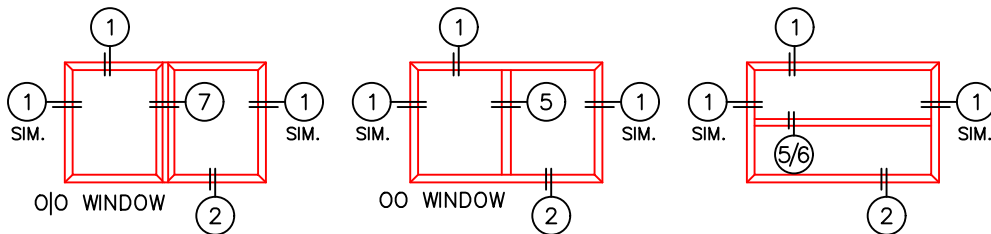
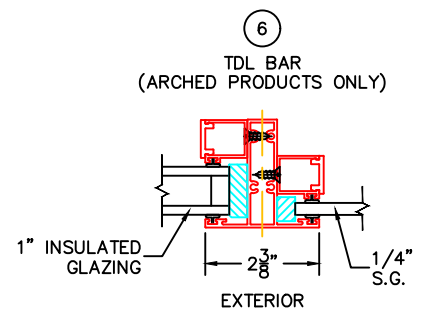
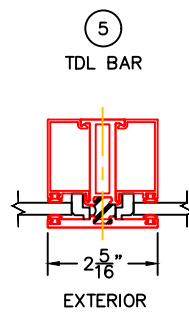
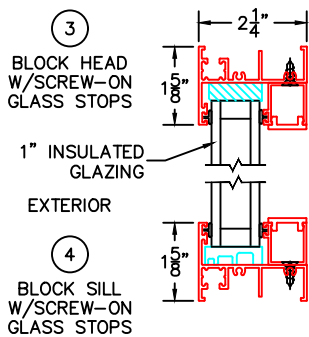
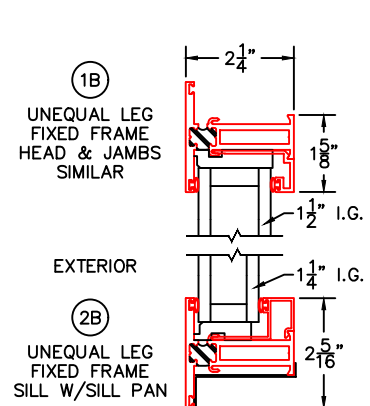
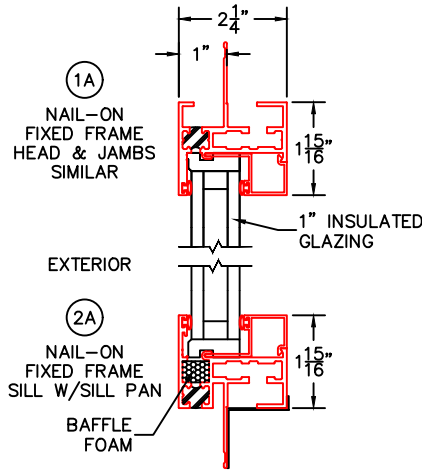
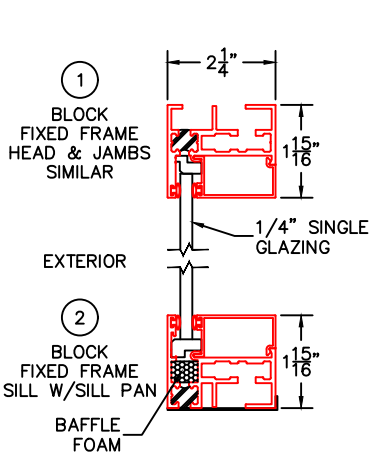


(USE RULER TO SCALE DIMENSIONS IN INCHES)

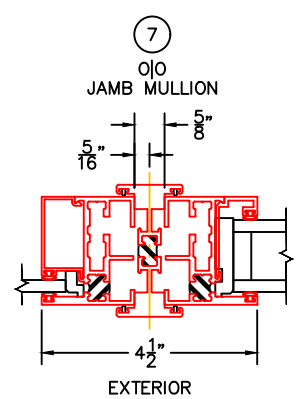
SCALE: 1/4"

INSIDE GLAZED FIXED AND SPECIAL GEOMETRY DETAILS

RAKED & CORNERED WINDOWS: 1/4", 1", 1-1/4", 1-1/2"
 ARCHED & BENT WINDOWS: 1/4", 1"



-GLASS PENETRATION = 1/2"
 -EXTERIOR RATED PRODUCTS HAVE WEEP SLOTS ON HORIZONTAL SILLS.



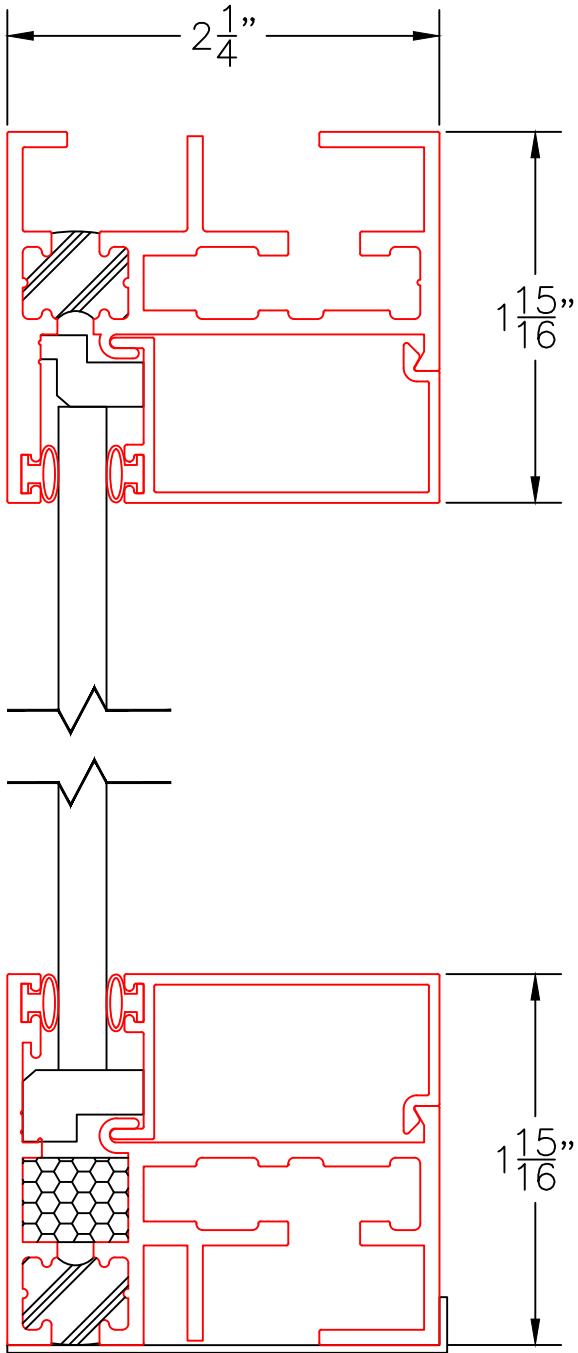
0 0.5 1
(USE RULER TO SCALE DIMENSIONS IN INCHES)
SCALE: FULL

INSIDE GLAZED FIXED UNIT DETAIL
1/4" SINGLE GLAZING SHOWN

①
BLOCK
FIXED FRAME
HEAD & JAMBS
SIMILAR

EXTERIOR

②
BLOCK
FIXED FRAME
SILL W/ SILL PAN



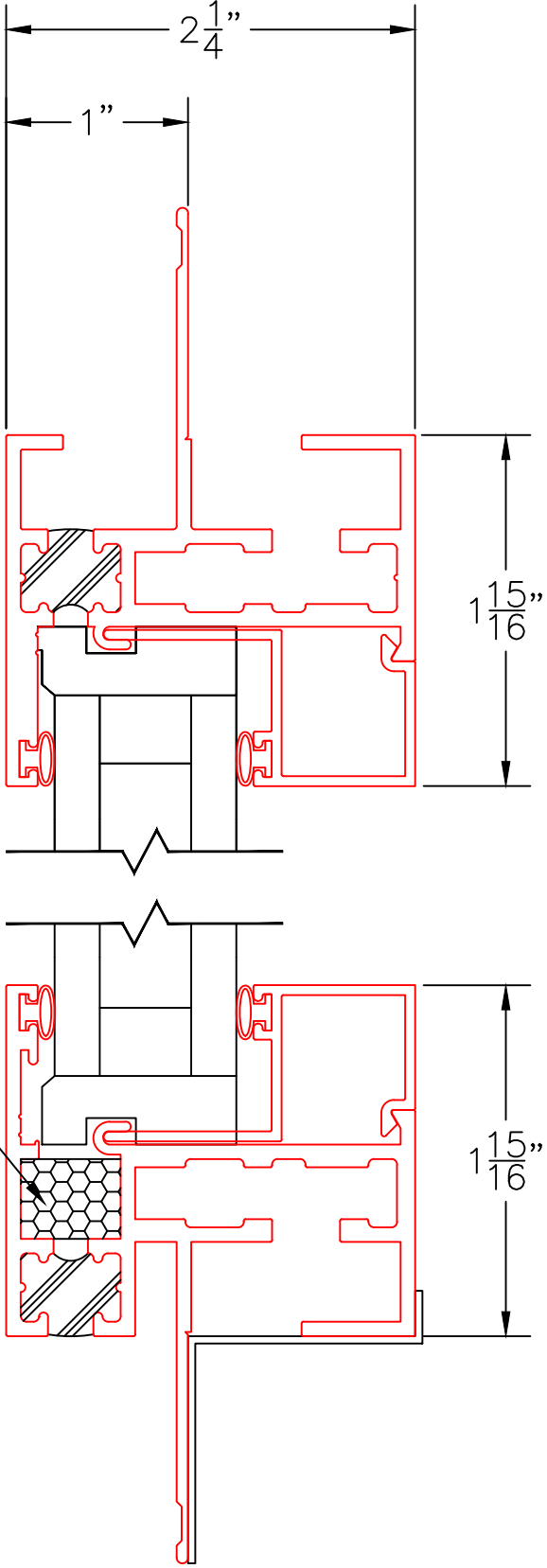
0 0.5 1
(USE RULER TO SCALE DIMENSIONS IN INCHES)
SCALE: FULL

INSIDE GLAZED FIXED UNIT DETAIL
1" INSULATED GLAZING SHOWN

(1A)
NAIL-ON
FIXED FRAME
HEAD & JAMBS
SIMILAR

EXTERIOR

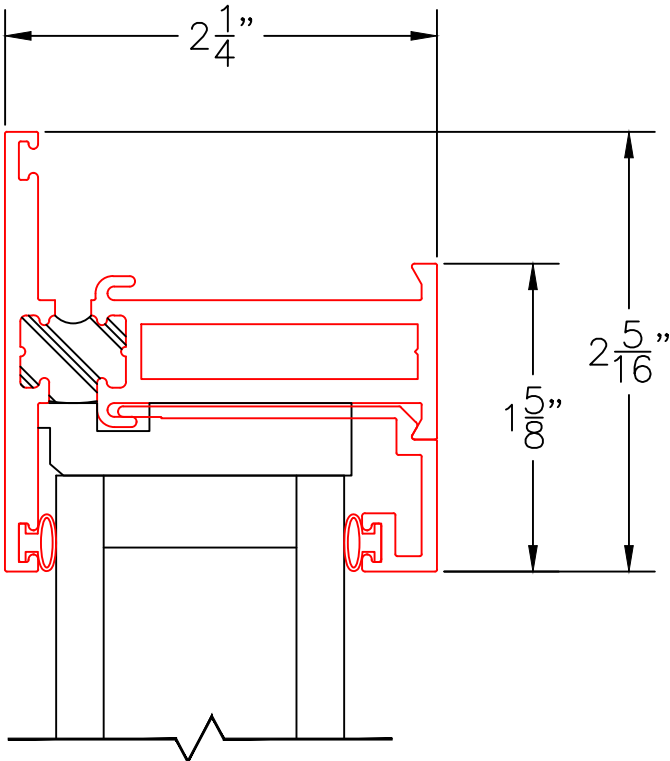
BAFFLE FOAM
(2A)
NAIL-ON
FIXED FRAME
SILL W/ SILL PAN



0 0.5 1
(USE RULER TO SCALE DIMENSIONS IN INCHES)
SCALE: FULL

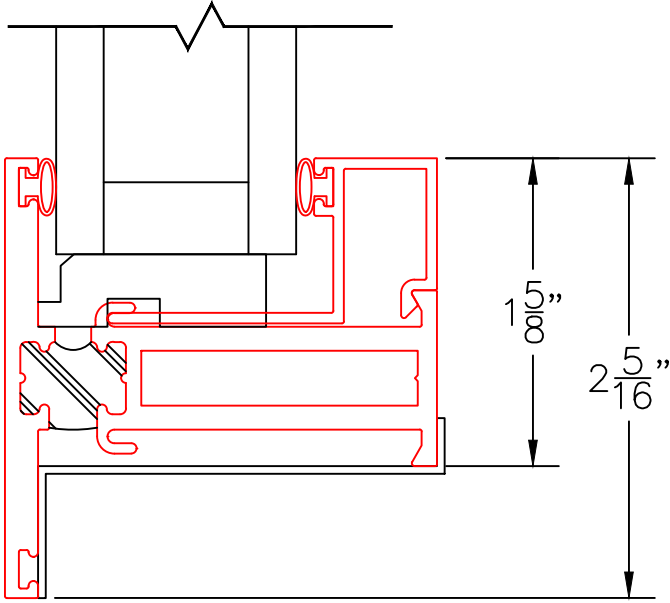
INSIDE GLAZED FIXED UNIT DETAIL
1-1/4" & 1-1/2" INSULATED
GLAZING SHOWN

(1B)
UNEQUAL LEG
FIXED FRAME
HEAD & JAMBS
SIMILAR



EXTERIOR

(2B)
UNEQUAL LEG
FIXED FRAME
SILL W/ SILL PAN



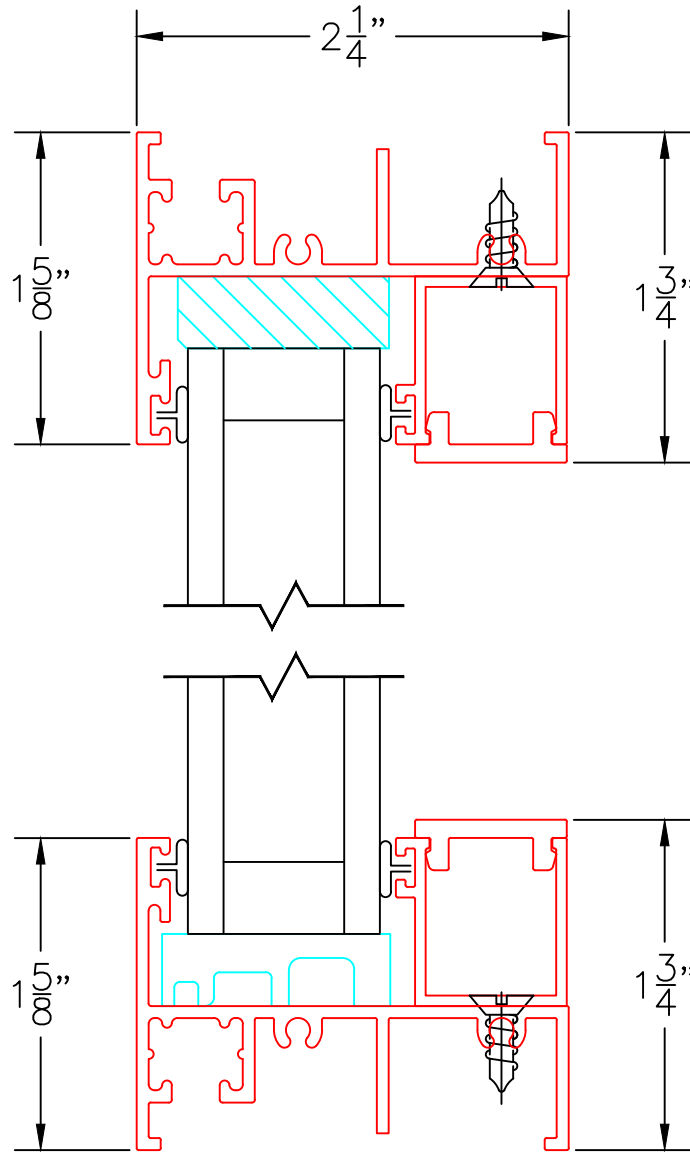
0 0.5 1
(USE RULER TO SCALE DIMENSIONS IN INCHES)
SCALE: FULL

INSIDE GLAZED ARCHED & BENT DETAIL
1" INSULATED GLAZING SHOWN

③
BLOCK HEAD
W/SCREW-ON
GLASS STOPS

EXTERIOR

④
BLOCK SILL
W/SCREW-ON
GLASS STOPS

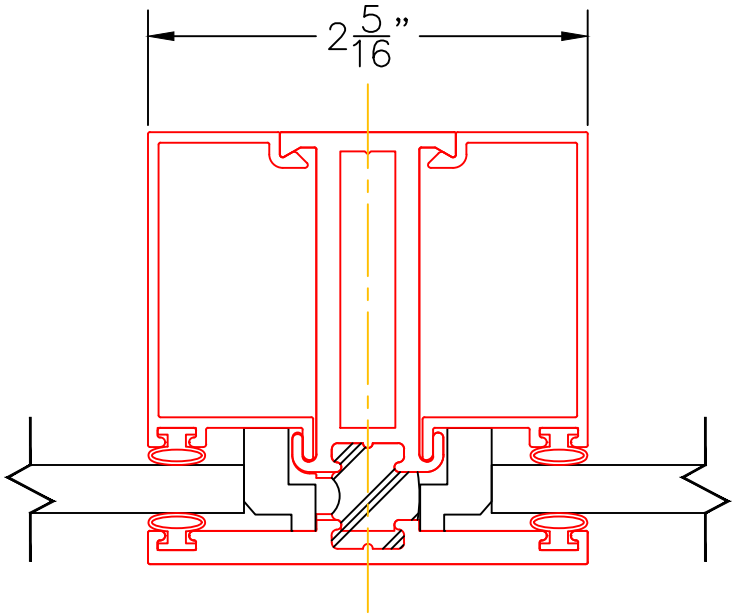


0 0.5 1
(USE RULER TO SCALE DIMENSIONS IN INCHES)
SCALE: FULL

INSIDE GLAZED FIXED UNIT DETAIL
1/4" SINGLE GLAZING SHOWN

5

00
TDL BAR



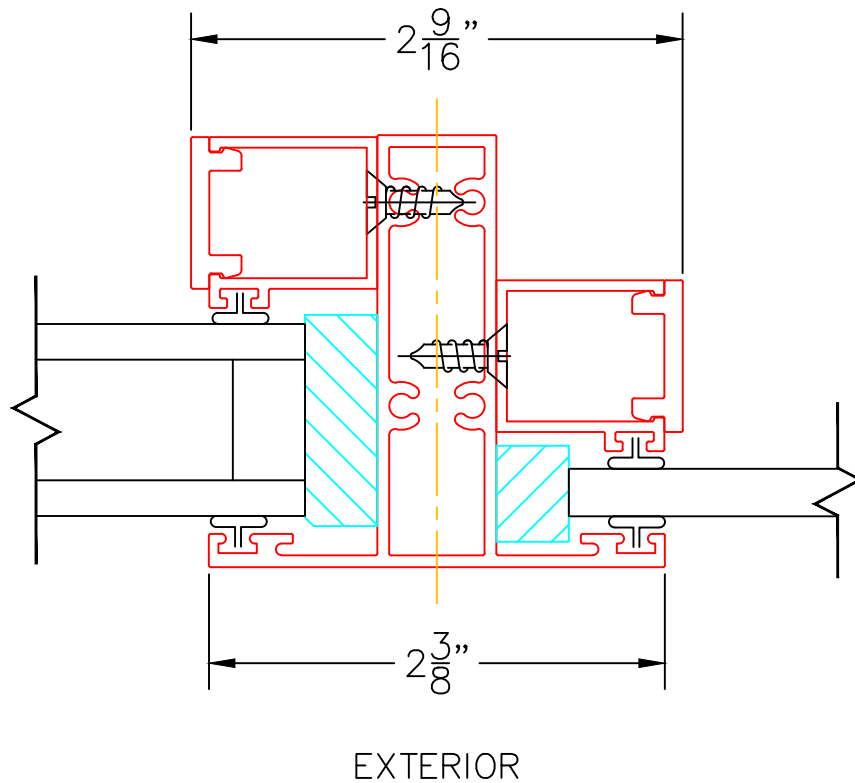
EXTERIOR

0 0.5 1
(USE RULER TO SCALE DIMENSIONS IN INCHES)
SCALE: FULL

INSIDE GLAZED FIXED UNIT DETAIL
1/4" AND 1" GLAZING SHOWN

6

00
TDL BAR
(ARCHED PRODUCTS ONLY)

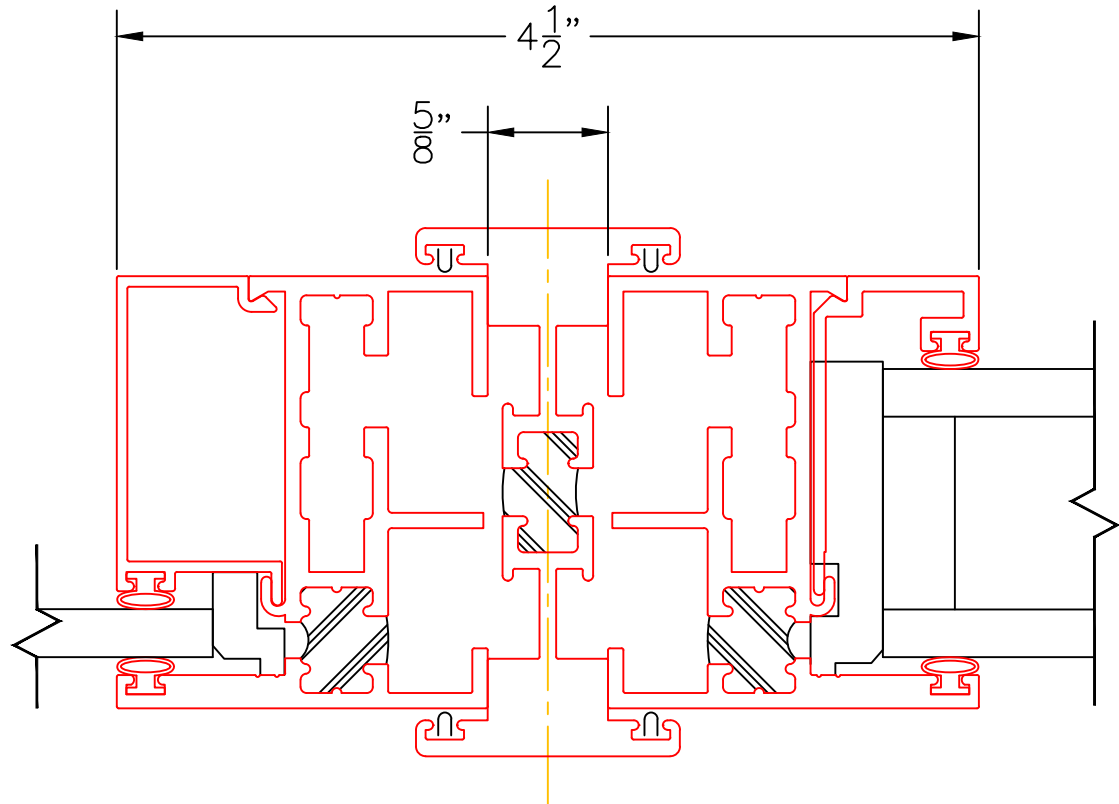


0 0.5 1
(USE RULER TO SCALE DIMENSIONS IN INCHES)
SCALE: FULL

INSIDE GLAZED FIXED UNIT DETAIL
1/4" & 1-1/2" GLAZING SHOWN

7

OIO
JAMB MULLION



EXTERIOR