

ASSEMBLY / PARTS LIST (B.O.M.)

Series: 330-T
Type: XO/XO Configuration

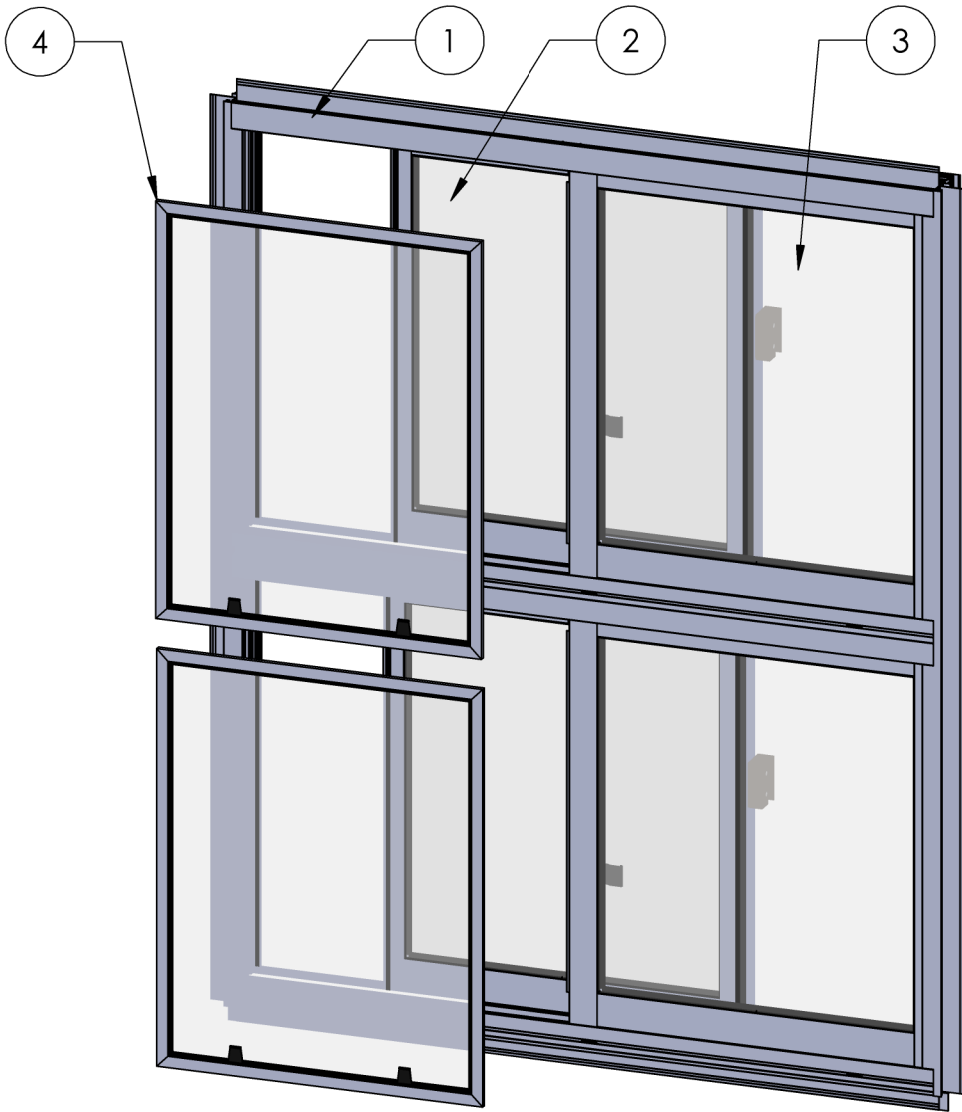
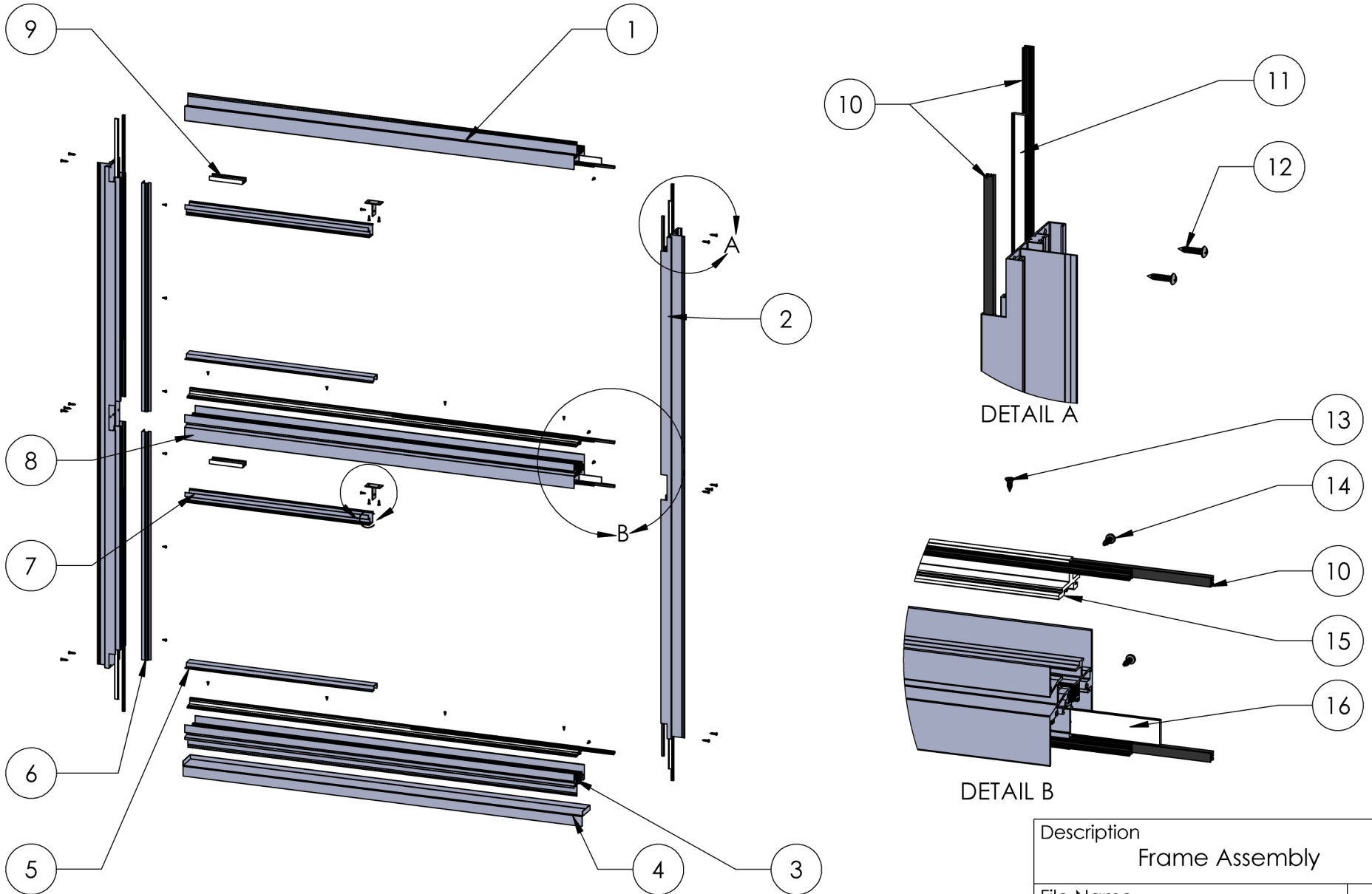


TABLE OF CONTENTS

ITEM NO.	PART NUMBER	QTY.	PAGE #
1	Frame Assembly	1	2-3
2	X Panel Assembly	2	4-5
3	O Panel Assembly	2	6-7
4	Screen Assembly	2	8

Description Table of Contents	
File Name Series 330-T XO/XO Assembly	REV B
Released 4/30/2024	SHEET 1 OF 8

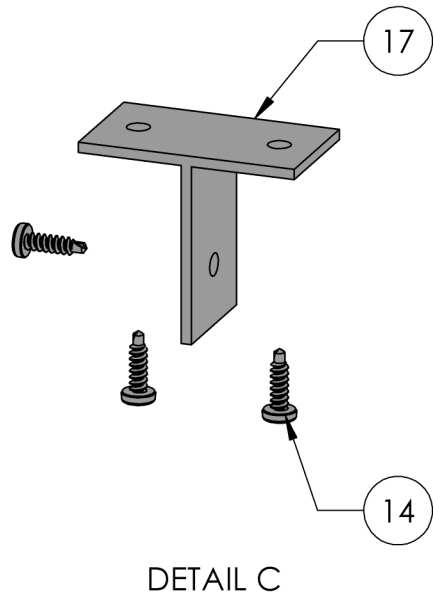
ASSEMBLY / PARTS LIST (B.O.M.)



PROPRIETARY AND CONFIDENTIAL
 THE INFORMATION CONTAINED IN THIS DRAWING IS THE SOLE PROPERTY OF FLEETWOOD WINDOWS & DOORS.
 ANY REPRODUCTION IN PART OR AS A WHOLE WITHOUT THE WRITTEN PERMISSION OF FLEETWOOD WINDOWS & DOORS IS PROHIBITED.

Description	
Frame Assembly	
File Name	REV
Series 330-T XO/XO Assembly	B
Released	SHEET 2 OF 8
4/30/2024	

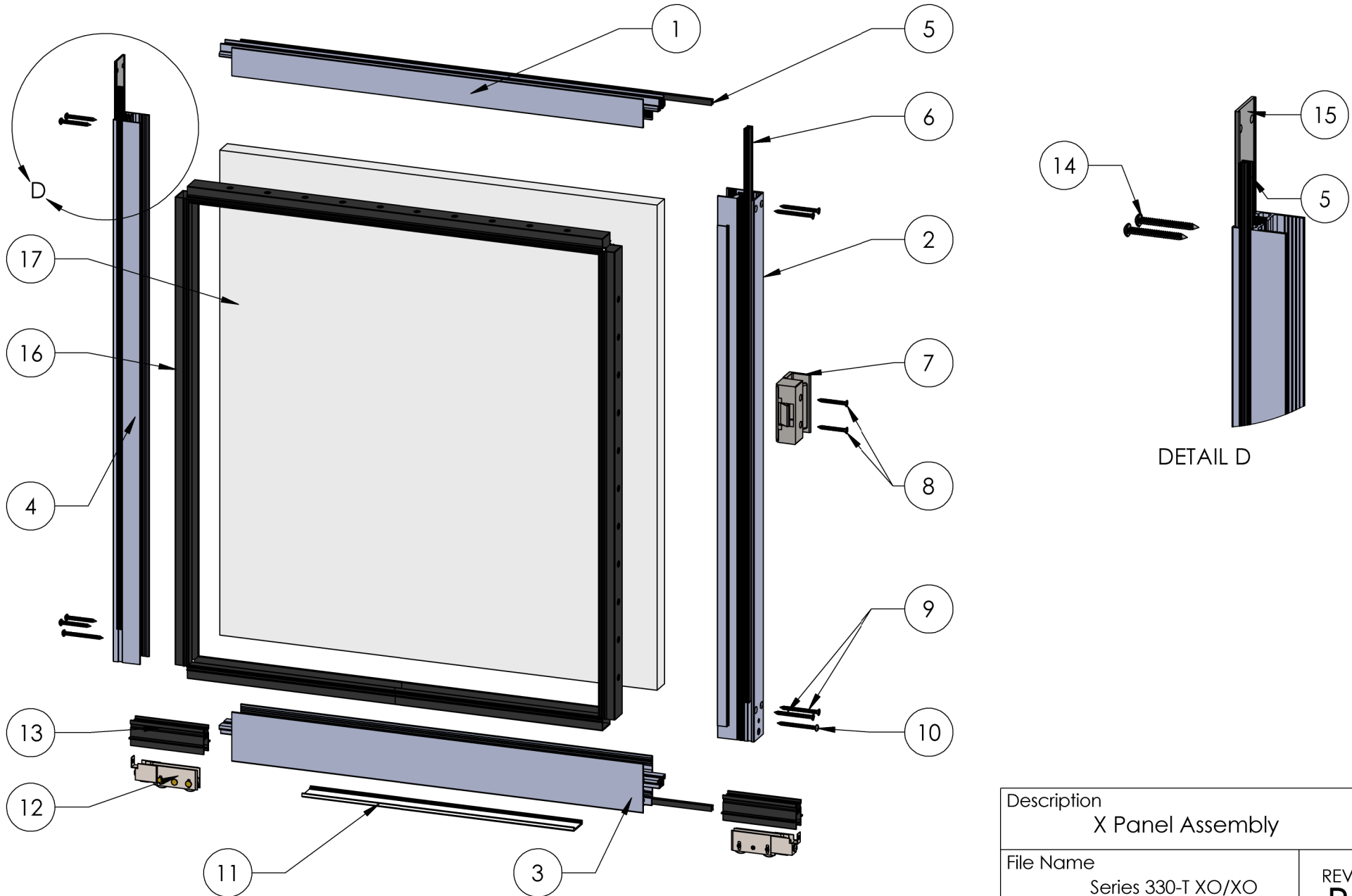
ASSEMBLY / PARTS LIST (B.O.M.)



EXTRUSIONS			
ITEM NO.	PART NUMBER	DESCRIPTION	QTY.
1	5309	Nail-on Head	1
2	5301	Nail-On Jamb	2
3	5343	Nail-on Sill	1
4	SPN530N	Nailfin Sill Pan	1
5	5311	Sill Filler/Closer	2
6	5390	Screen Adapter (Slider Jamb)	2
7	5391	Head Filler	2
HARDWARE			
ITEM NO.	PART NUMBER	DESCRIPTION	QTY.
8	5367	Integral Stack Bar (Std)	1
9	22918	Anti-Lift/Fix Pan Guide (BL1397)	2
10	19118	Small Fin Seal Mohair (23027045BKQB)	14
11	22913	PVC Jamb Isolator	4
12	20314	#8 PHP-A Screw, .75 in, SS, Clear	14
13	20901	#6 X 3/8" UC FHSM	Varies
14	20228, 20229	#6 PHP-TEK, .5, (S.S., Black)	10
15	19092	PVC Sill Center	2
16	19095	PVC Head Filler (BL1265)	2
17	25766, 25767	T-Clip, (Clear, Black)	2

Description Frame Assembly	
File Name Series 330-T XO/XO Assembly	REV B
Released 4/30/2024	SHEET 3 OF 8

ASSEMBLY / PARTS LIST (B.O.M.)



PROPRIETARY AND CONFIDENTIAL
 THE INFORMATION CONTAINED IN THIS DRAWING IS THE SOLE PROPERTY OF FLEETWOOD WINDOWS & DOORS.
 ANY REPRODUCTION IN PART OR AS A WHOLE WITHOUT THE WRITTEN PERMISSION OF FLEETWOOD WINDOWS & DOORS IS PROHIBITED.

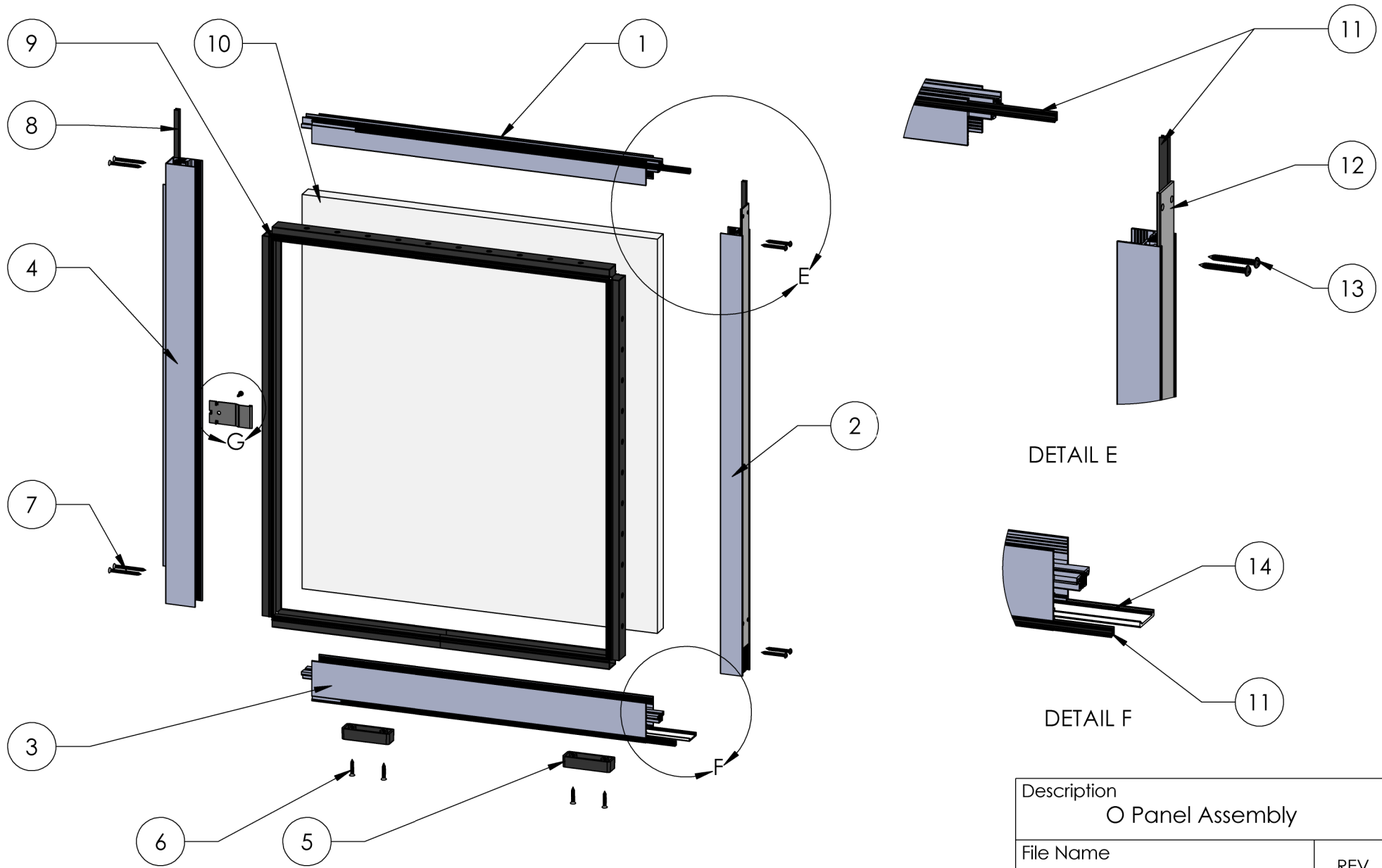
Description X Panel Assembly	
File Name Series 330-T XO/XO Assembly	REV B
Released 4/30/2024	SHEET 4 OF 8

ASSEMBLY / PARTS LIST (B.O.M.)

EXTRUSIONS			
ITEM NO.	PART NUMBER	DESCRIPTION	QTY.
1	5348	Top Rail DG	1
2	5371	Sliding Interlock DG	1
3	5349	Bottom Rail DG	1
4	5338	Lead Stile DG	1
HARDWARE			
ITEM NO.	PART NUMBER	DESCRIPTION	QTY.
5	19118	Small Fin Seal Mohair (23027045BKQB)	3
6	20516	X-Large Fin Seal Mohair (50027045BKGB)	1
7	24636	Archetype Sliding Window Latch SS (170-000)	1
8	20252, 20253	#8 FHP Screw, 1.5 in. (S.S., Black)	2
9	20258, 20256	#8 FHP Screw, 2.0 in. (S.S., Black)	4
10	20326, 20327	#8 PHP - A, 2.0", SS, (Clear, Black)	2
11	22938	Bottom Rail Spreader (BL 798)	1
12	18894	Aspen Tandem Nylon Roller	2
13	19107	Roller Insert - Wheel Housing (AN 9853)	2
14	20324	#8 PHP - A, 1.5 in. (Black)	4
15	19113	PVC Spreader bar, Leadstile (KB 1395)	1
16	19056	1 in. Glazing Vinyl (BL 325)	1
17	-	Glass	1

Description X Panel Assembly	
File Name Series 330-T XO/XO Assembly	REV B
Released 4/30/2024	SHEET 5 OF 8

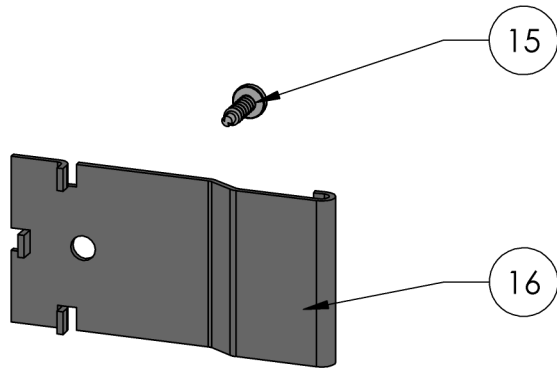
ASSEMBLY / PARTS LIST (B.O.M.)



PROPRIETARY AND CONFIDENTIAL
 THE INFORMATION CONTAINED IN THIS DRAWING IS THE SOLE PROPERTY OF FLEETWOOD WINDOWS & DOORS.
 ANY REPRODUCTION IN PART OR AS A WHOLE WITHOUT THE WRITTEN PERMISSION OF FLEETWOOD WINDOWS & DOORS IS PROHIBITED.

Description O Panel Assembly	
File Name Series 330-T XO/XO Assembly	REV B
Released 4/30/2024	SHEET 6 OF 8

ASSEMBLY / PARTS LIST (B.O.M.)



DETAIL G

EXTRUSIONS

ITEM NO.	PART NUMBER	DESCRIPTION	QTY.
1	5348	Top Rail DG	1
2	5338	Lead Stile DG	1
3	5349	Bottom Rail DG	1
4	5370	Fixed Interlock DG	1

HARDWARE

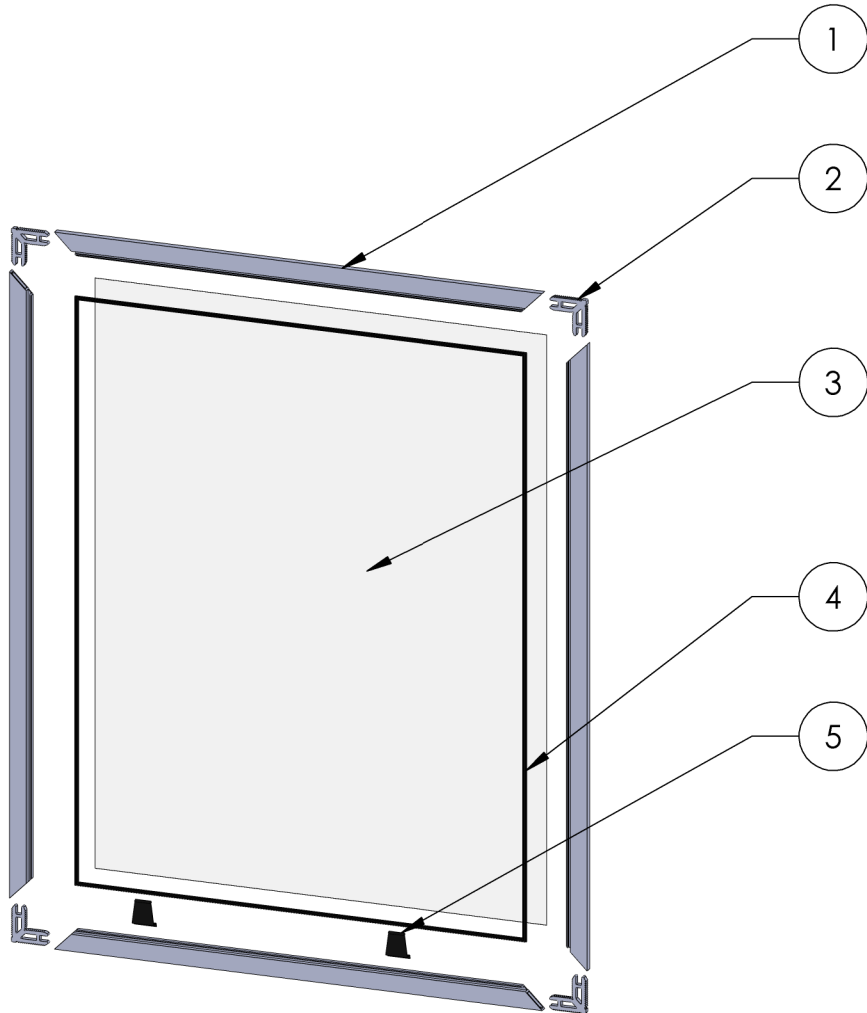
ITEM NO.	PART NUMBER	DESCRIPTION	QTY.
5	25386	Fix Panel Block	2
6	20248	#8 FHP - A, 1", SS, Black	4
7	20258, 20256	#8 FHP Screw, 2.0 in. (S.S., Black)	4
8	19117	Large Fin Seal Mohair (23027045BKGB)	1
9	19056	1 in. Glazing Vinyl (BL 325)	1
10	-	Glass	1
11	19118	Small Fin Seal Mohair (23027045BKQB)	3
12	19113	PVC Spreader Bar, Leadstile (KB 1395)	1
13	20324	#8 PHP - A, 1.5 in. (Black)	4
14	22938	Bottom Rail Spreader (BL 798)	1
15	20228, 20229	#6 PHP-TEK, .5 in. (S.S., Black)	1
16	24106	Aspen Strike Plate (Keeper)	1

Description
O Panel Assembly

File Name
Series 330-T XO/XO
Assembly

REV
B

ASSEMBLY / PARTS LIST (B.O.M.)



EXTRUSIONS			
ITEM NO.	PART NUMBER	DESCRIPTION	QTY.
1	114FF	5/16" Screen Frame	4
HARDWARE			
ITEM NO.	PART NUMBER	DESCRIPTION	QTY.
2	27129	Screen Corner Key	4
3	-	Ultra Vue Screen Mesh	1
4	19127	Screen Spline (.150)	1
5	25495	Screen Tab	2

Description Screen Assembly	
File Name Series 330-T XO/XO Assembly	REV B
Released 4/30/2024	SHEET 8 OF 8

PROPRIETARY AND CONFIDENTIAL
 THE INFORMATION CONTAINED IN THIS DRAWING IS THE SOLE PROPERTY OF FLEETWOOD WINDOWS & DOORS.
 ANY REPRODUCTION IN PART OR AS A WHOLE WITHOUT THE WRITTEN PERMISSION OF FLEETWOOD WINDOWS & DOORS IS PROHIBITED.