

MULTI-SLIDE INSIDE CORNER DOOR DETAILS

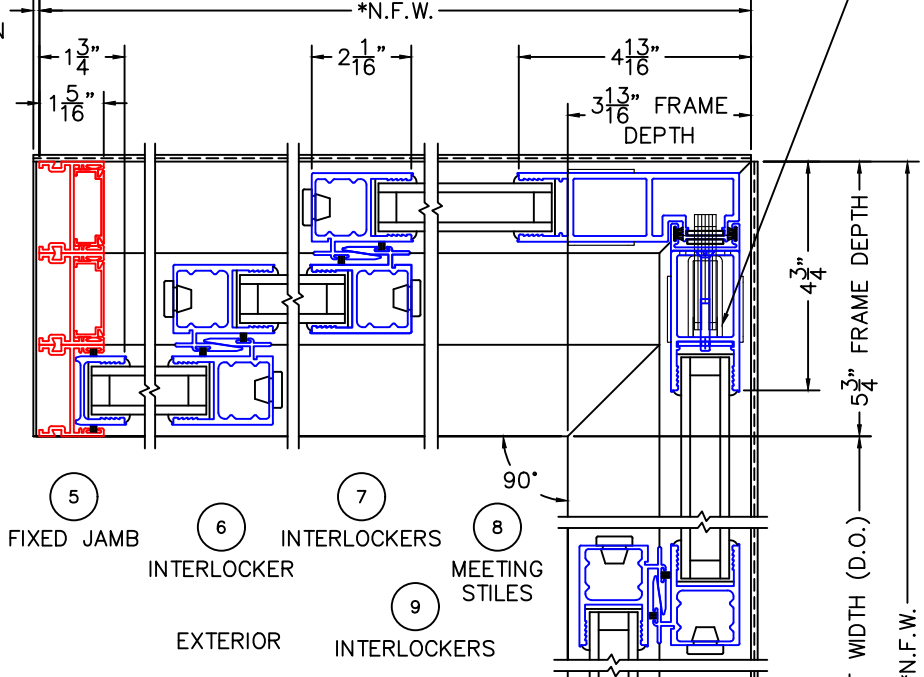
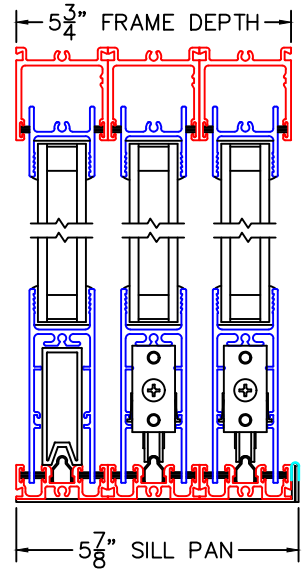
ARCHETYPE NARROW HARDWARE

OXX DOOR

1 MULTI-SLIDE HEAD DETAIL

EXTERIOR

2 MULTI-SLIDE SILL DETAIL



- 5 FIXED JAMB
- 6 INTERLOCKER EXTERIOR
- 7 INTERLOCKERS
- 8 MEETING STILES
- 9 INTERLOCKERS

*N.F.W.

DAYLIGHT WIDTH (D.O.)

3 1/2

1 1/4

4 9/16 POCKET DEPTH

POCKET WIDTH

1

3-1/2 SIGHTLINE INTERLOCKER

FINISHED POCKET FACE

10 2-PIECE POCKET INTERLOCKERS

11 POCKET JAMB

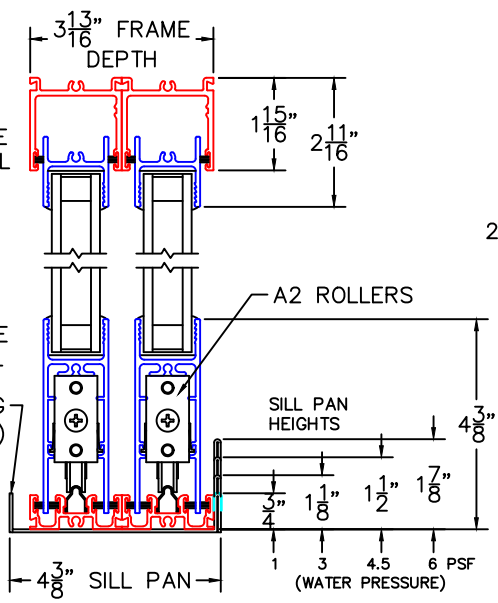
XXP DOOR

3 MULTI-SLIDE HEAD DETAIL

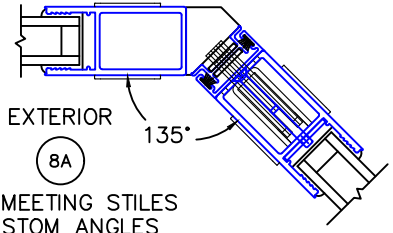
EXTERIOR

4 MULTI-SLIDE SILL DETAIL

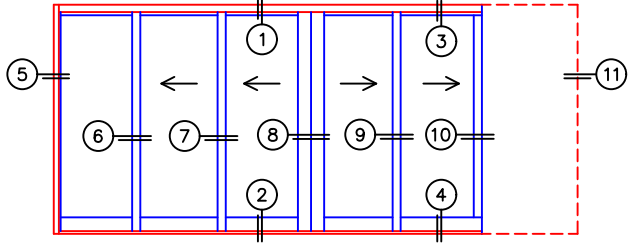
SILL PAN LEG (POCKET ONLY)



NOTE: CENTERLINES ARE NOT DIVIDED EQUALLY; CONFIRM CENTERLINES WHEN REQUIRED.



8A 135° MEETING STILES (CUSTOM ANGLES AVAILABLE)



OXX^XXP DOOR

- GLASS PENETRATION: 11/16"
- *NET FRAME WIDTH DOES NOT INCLUDE SILL PAN.
- SILL PAN EXTENDS 1/8" BEYOND EACH JAMB.
- ENCLOSED PX AND XP DOORS MAY REQUIRE POCKET DEMO FOR PANEL REMOVAL.

- FOR ADDITIONAL OPTIONS AND UPGRADES SEE DRAWINGS 3070-07, 3070-08 & 3070-11.
- EXTERIOR RATED PRODUCTS HAVE WEEP SLOTS ON HORIZONTAL SILLS.