

1. Unfasten two screws (A) to loosen the strike plate (do not remove).
2. Adjust strike plate assembly (strike plate, latch strike, latch strike cover and latch strike housing) up or down to desired position, then tighten. Maximum adjustment is approximately 1.5”.

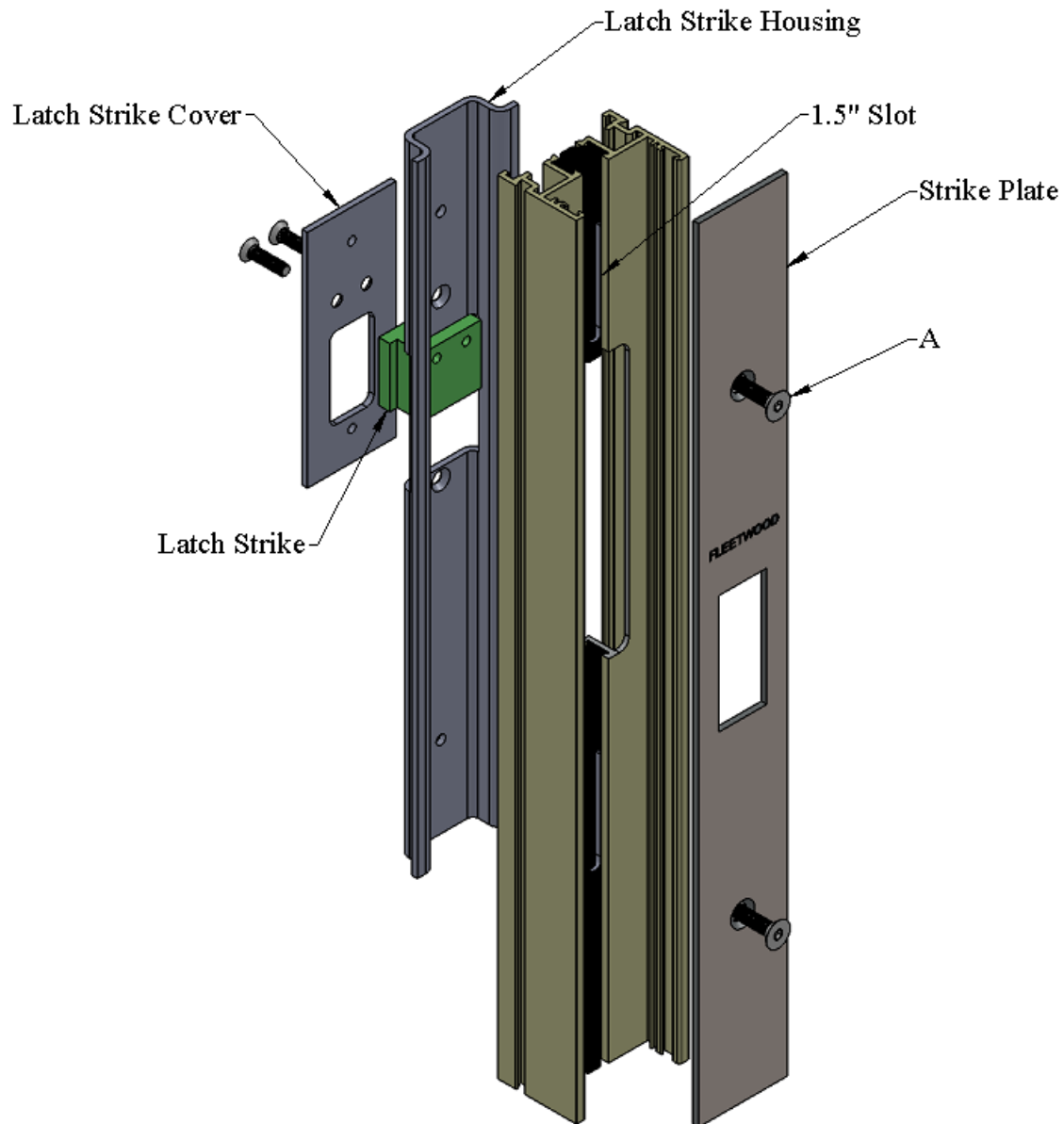


Figure 1: Strike Plate Assembly