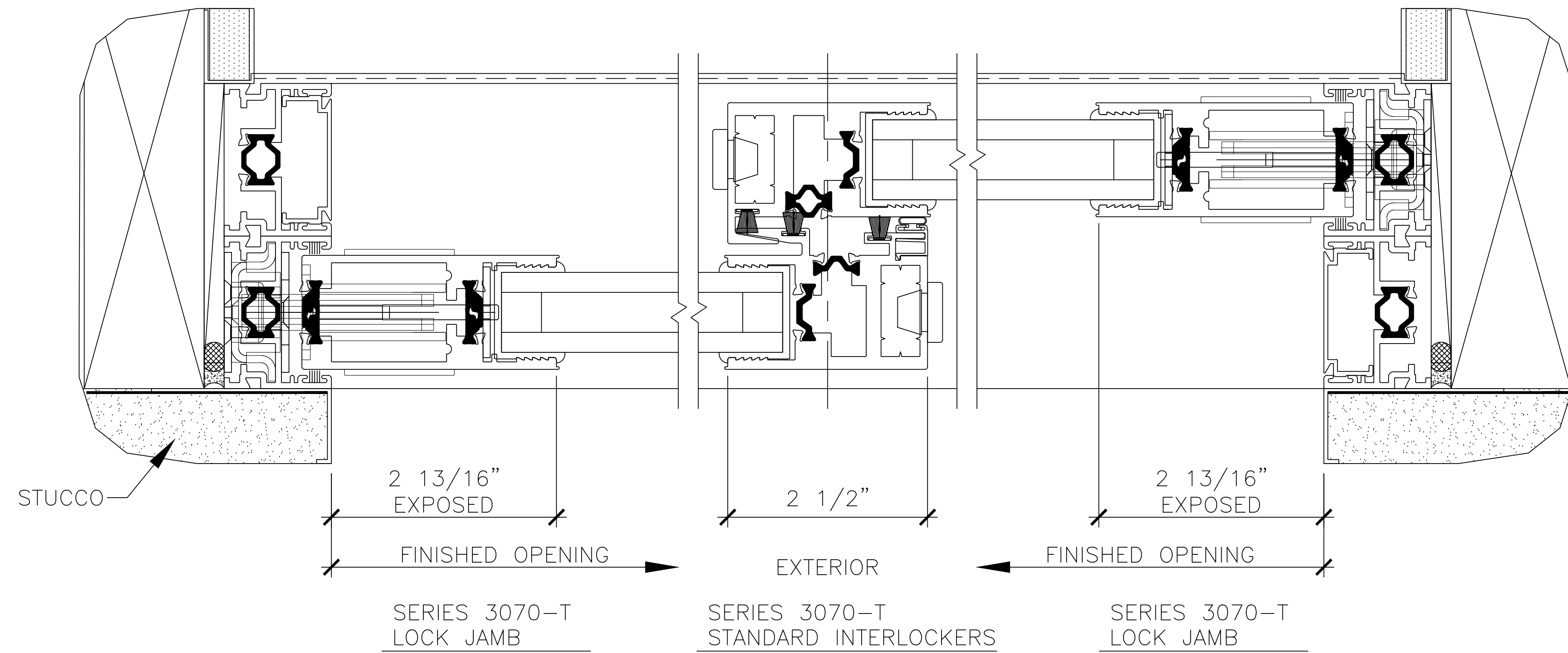
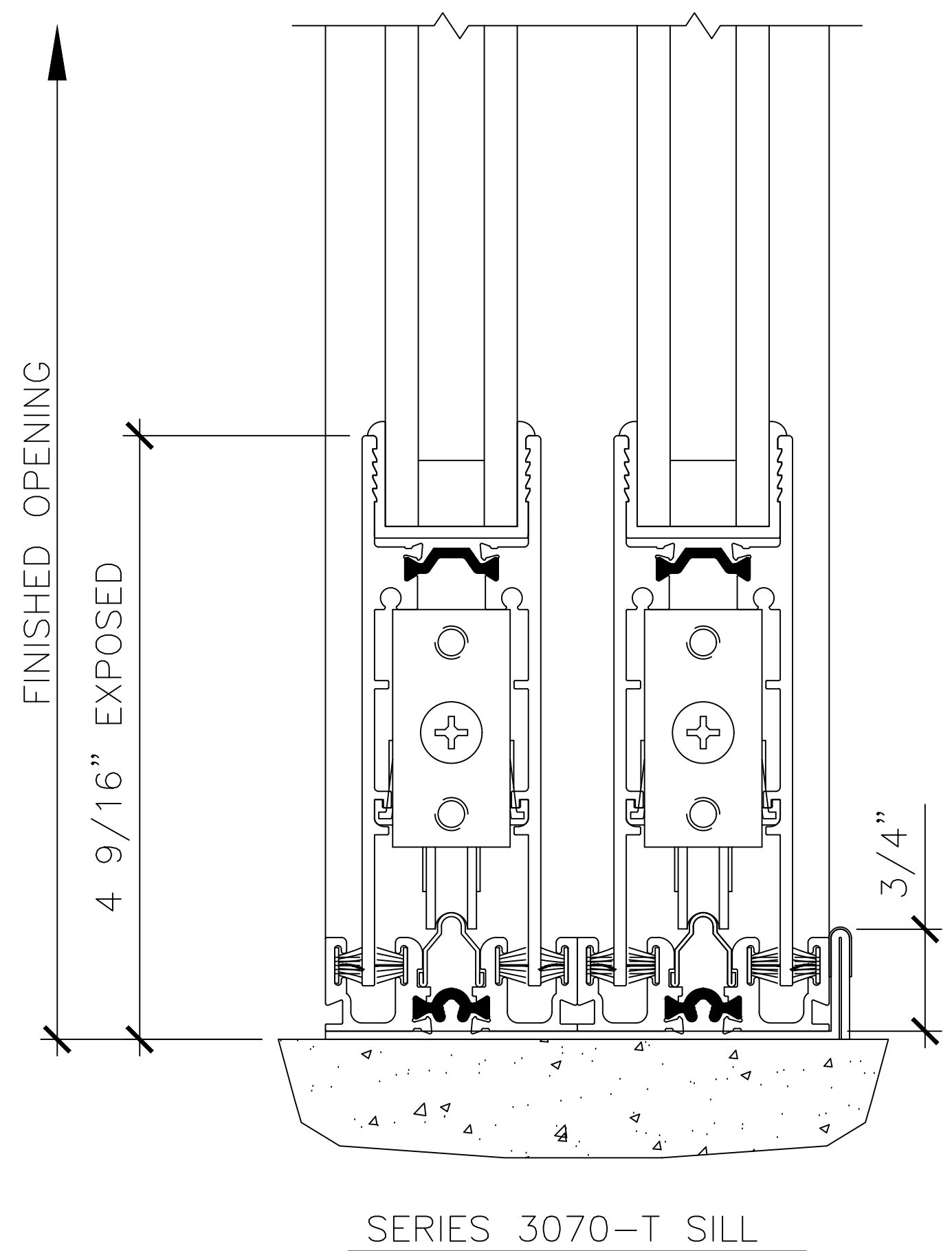
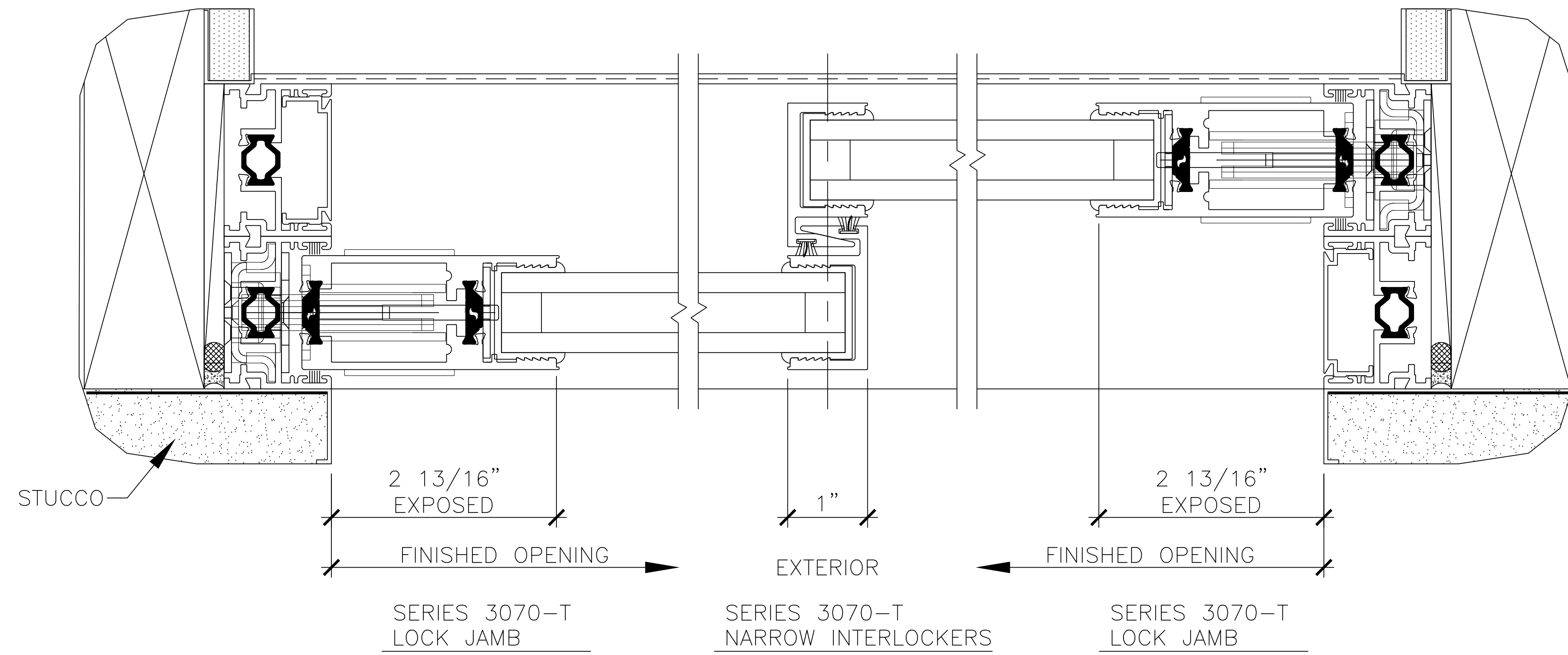
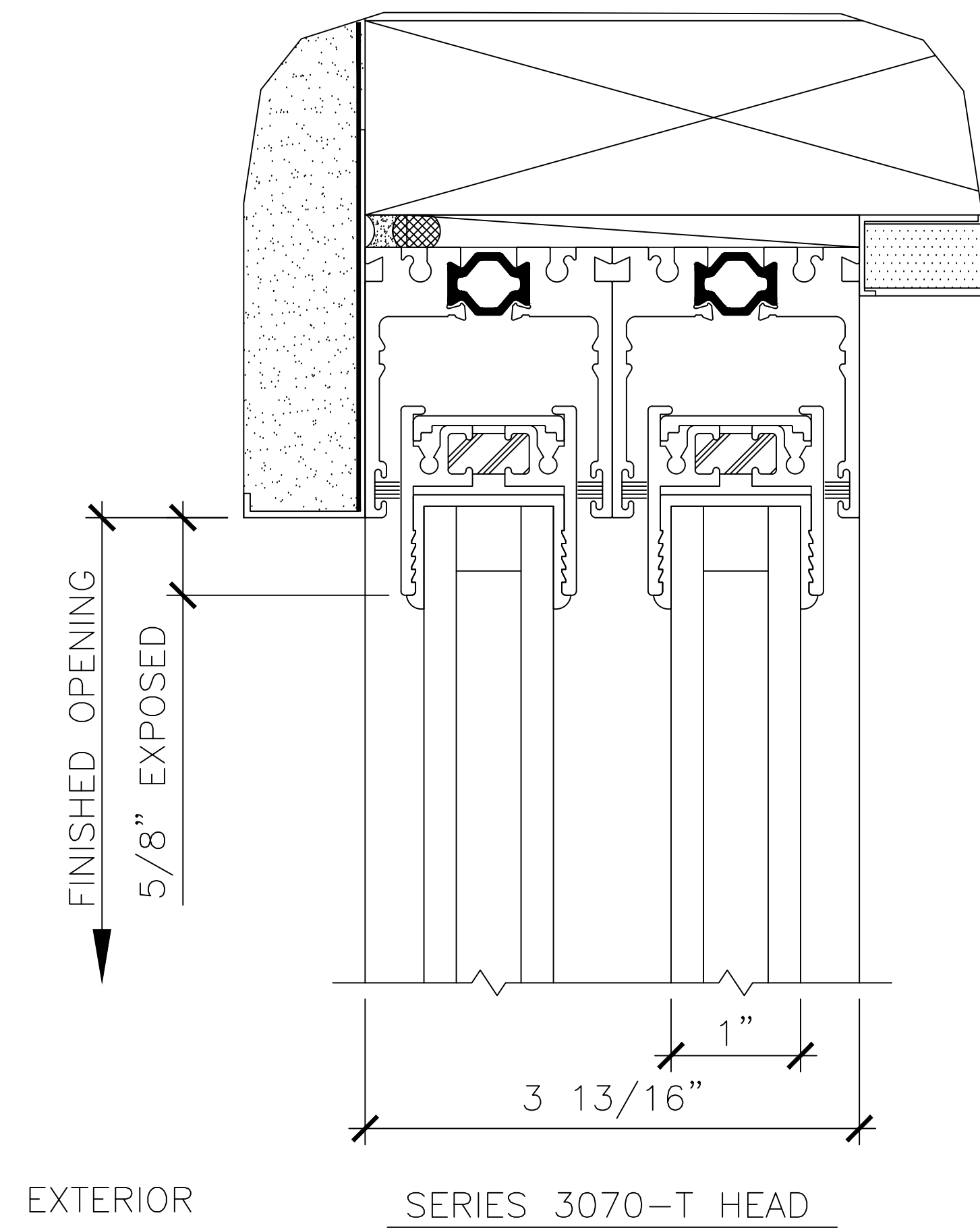


3070-T CONCEPT WALL CONDITIONS_OPTION 1



REVISIONS	DATE	DRAWN BY	COMMENTS
REV-1	4/5/17	BL	ADDED HEADER
REV-2	4/25/24	BL	A2 ROLLERS - NARROW INTERLOCKERS

DATE:	8/27/15	JOB NUMBER:	NA
DRAWN BY:	BL		

MATERIAL:	SERIES 3070-T
CUSTOMER:	FLEETWOOD WINDOWS AND DOORS
JOB NAME:	STUCCO SURROUND R & D_OPTION 1

1 FLEETWOOD WAY
CORONA, CA 92879
www.fleetwoodusa.com

FLEETWOOD
WINDOWS & DOORS

SCALE :
1" = 1"

DRAWING NO. :
1.01

SHEET :
1 OF 1