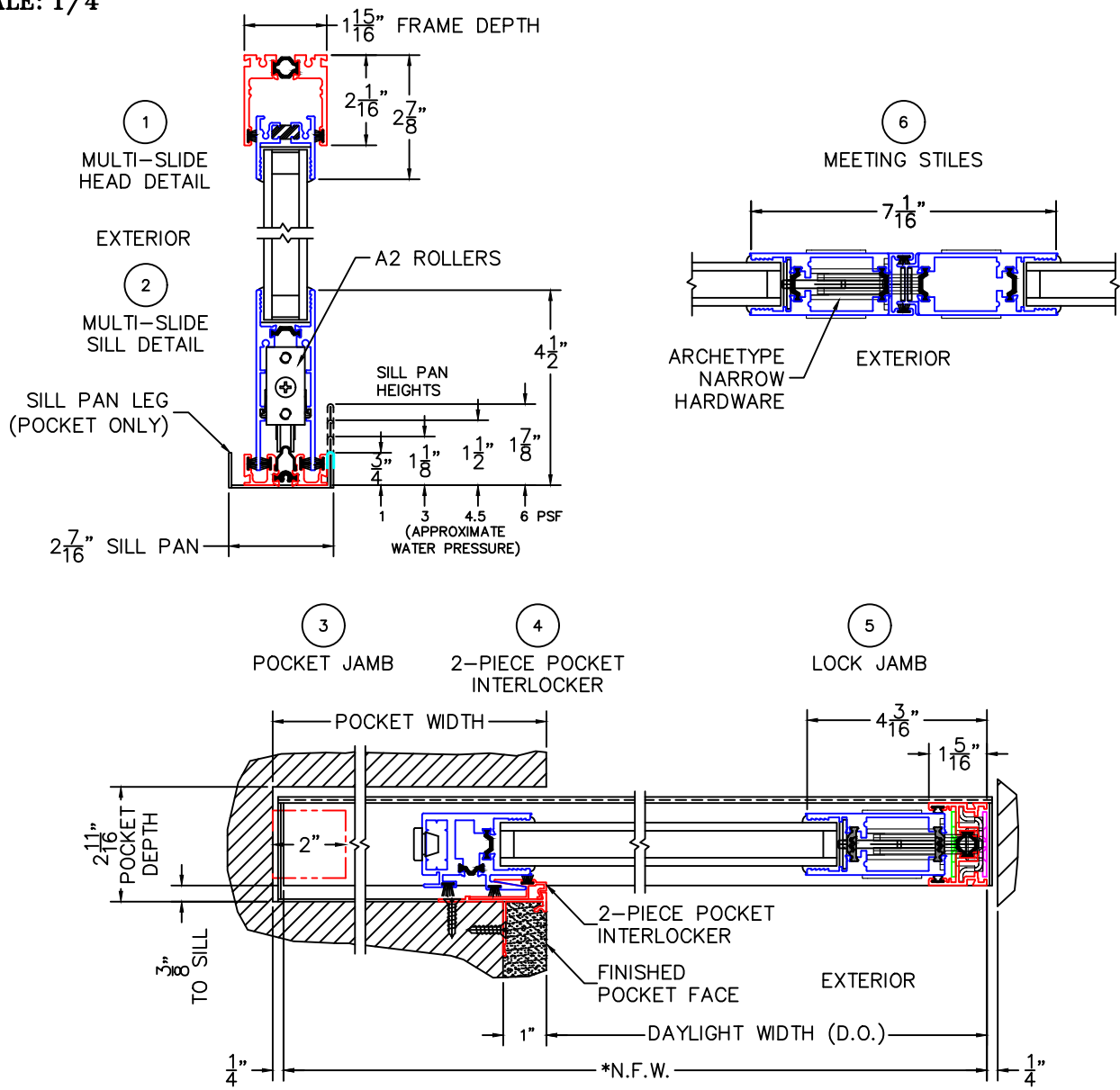
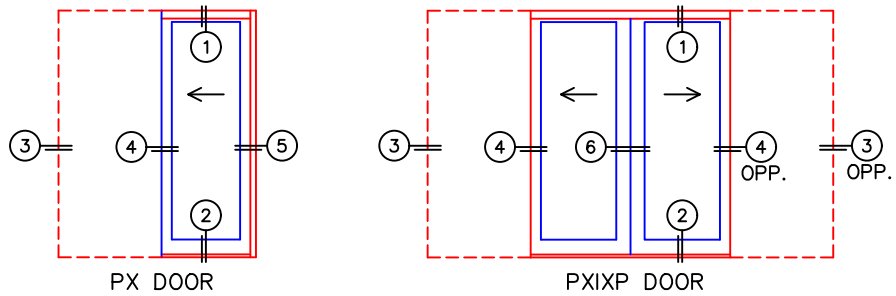


(USE RULER TO SCALE DIMENSIONS IN INCHES)
SCALE: 1/4

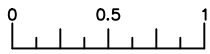
MULTI-SLIDE POCKET DOOR DETAILS PX DOOR SHOWN



NOTE: CENTERLINES ARE NOT DIVIDED EQUALLY; CONFIRM CENTERLINES WHEN REQUIRED.



- *NET FRAME WIDTH DOES NOT INCLUDE SILL PAN. SEE DRAWINGS 3070-T-08 AND 3070-T-09.
- SILL PAN EXTENDS 1/8" BEYOND EACH JAMB. -EXTERIOR RATED PRODUCTS HAVE
- ENCLOSED PX AND XP DOORS MAY REQUIRE WEEP SLOTS ON HORIZONTAL SILLS.
- POCKET DEMO FOR PANEL REMOVAL. -GLASS PENETRATION: 11/16"
- FOR ADDITIONAL OPTIONS AND UPGRADES



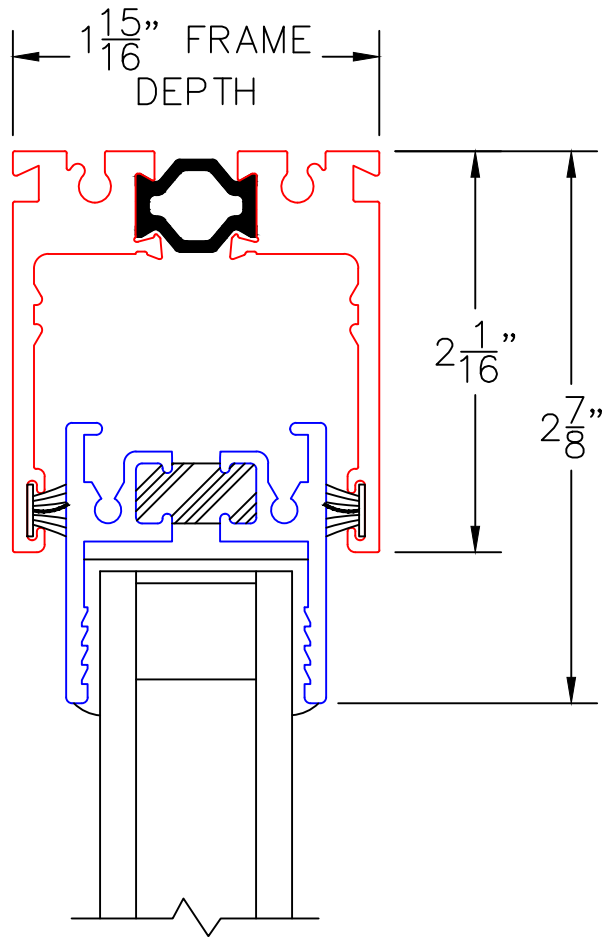
(USE RULER TO SCALE DIMENSIONS IN INCHES)

SCALE: FULL

MULTI-SLIDE DOOR DETAILS
PX DOOR SHOWN

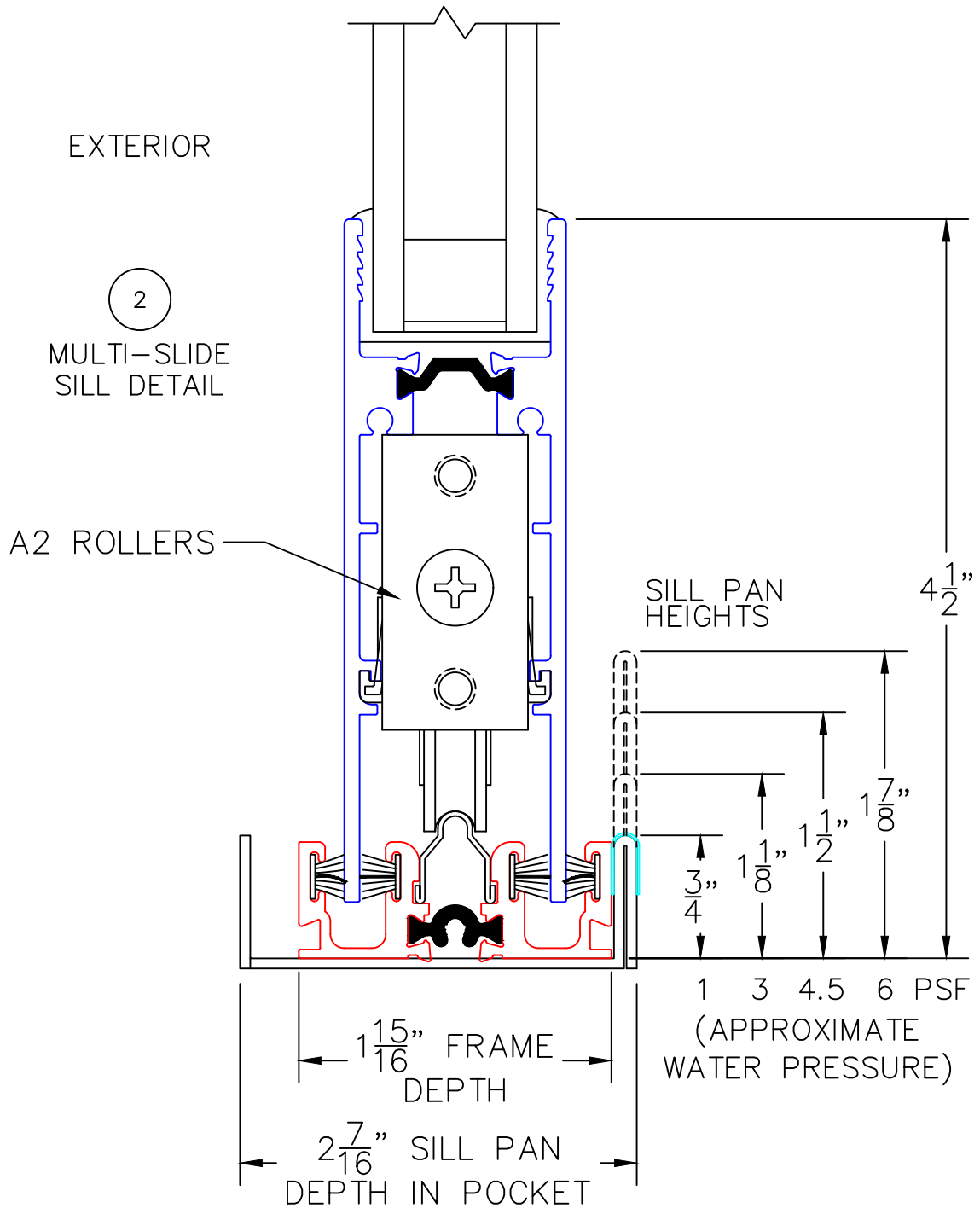
①
MULTI-SLIDE
HEAD DETAIL

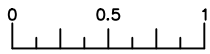
EXTERIOR



0 0.5 1
(USE RULER TO SCALE DIMENSIONS IN INCHES)
SCALE: FULL

MULTI-SLIDE DOOR DETAILS
PX DOOR SHOWN





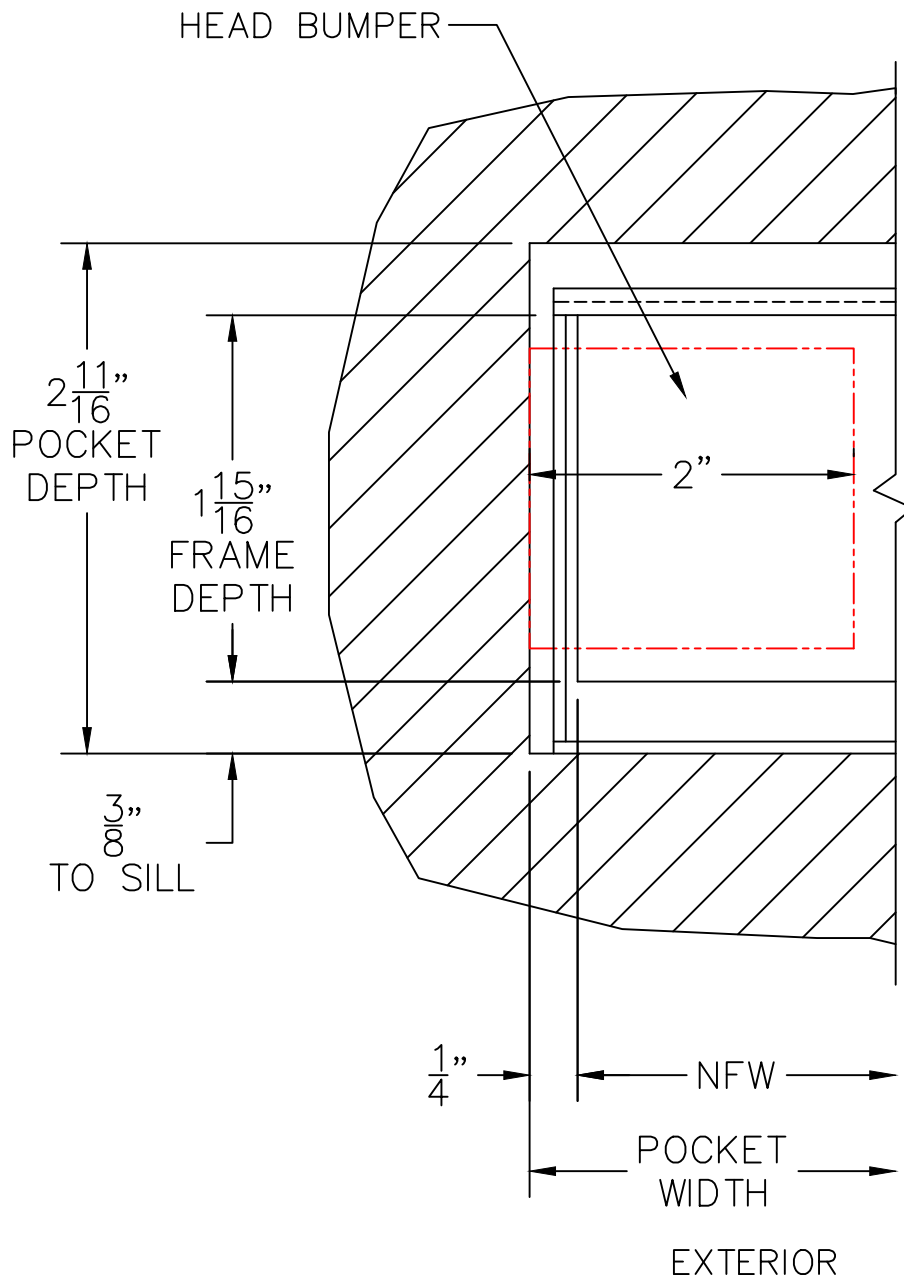
(USE RULER TO SCALE DIMENSIONS IN INCHES)

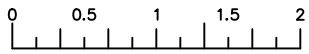
SCALE: FULL

MULTI-SLIDE DOOR DETAILS
PX DOOR SHOWN

3

POCKET JAMB





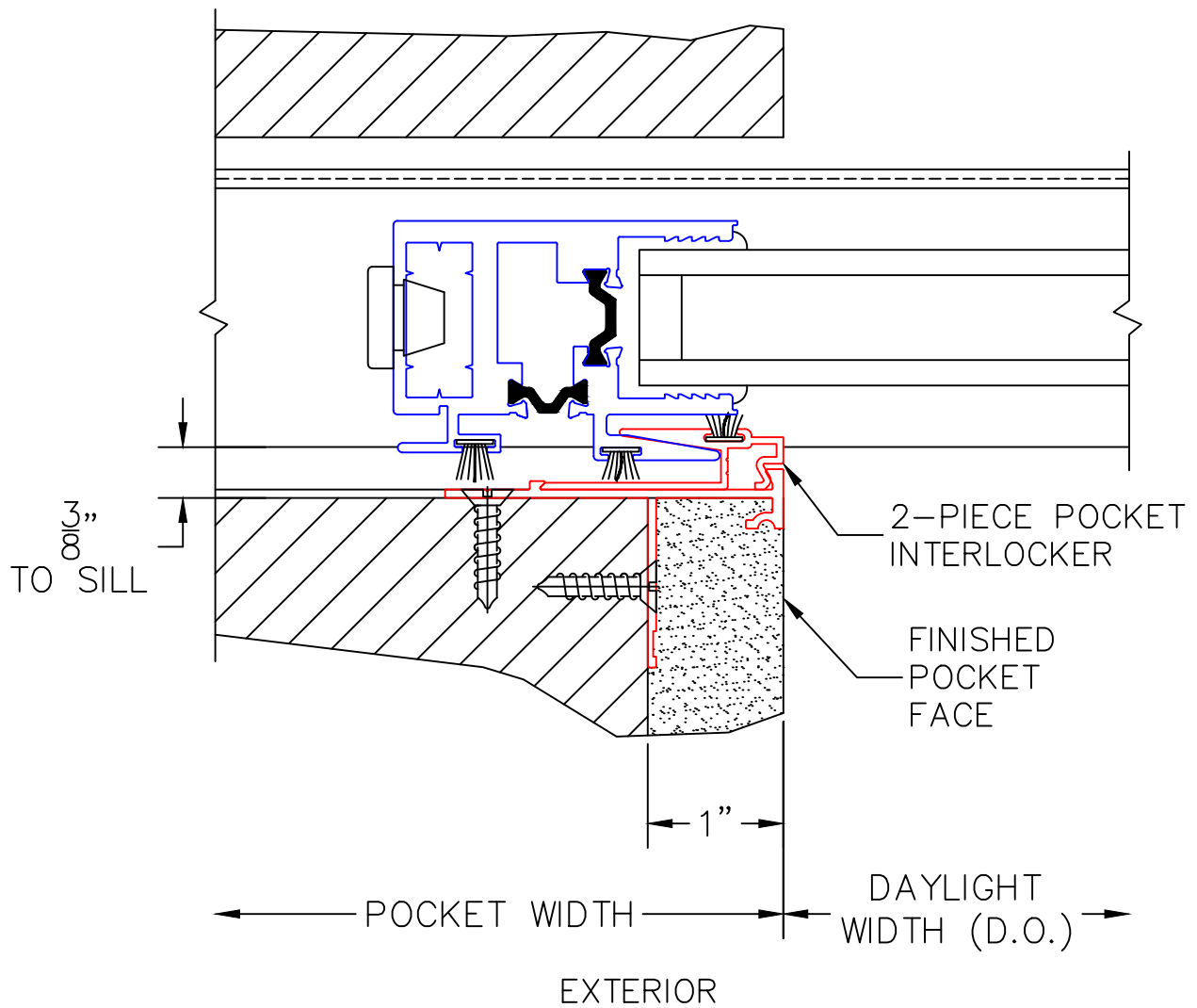
(USE RULER TO SCALE DIMENSIONS IN INCHES)

SCALE: 3/4

MULTI-SLIDE DOOR DETAILS
PX DOOR SHOWN

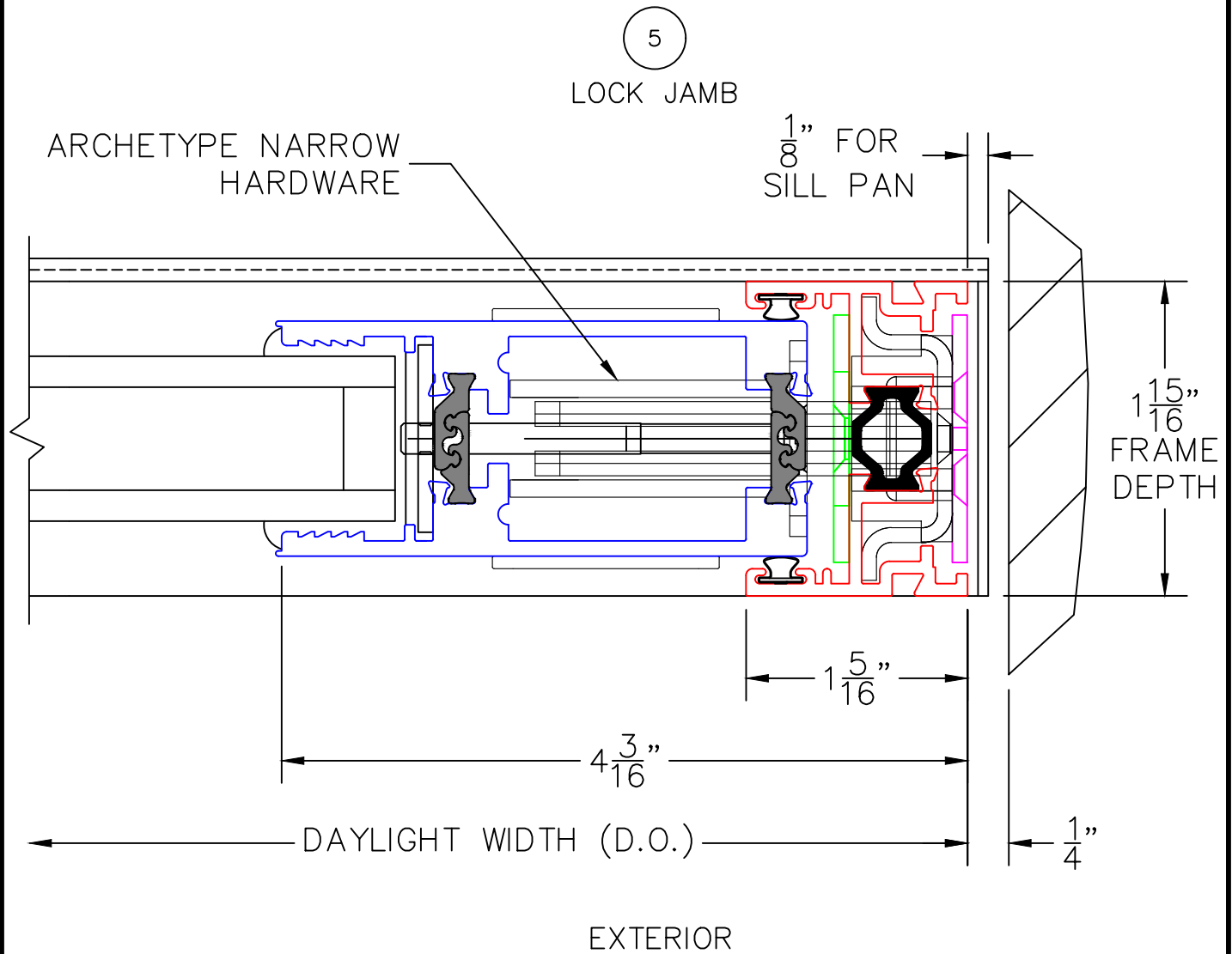
4

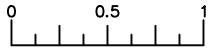
2-PIECE POCKET
INTERLOCKER



0 0.5 1
(USE RULER TO SCALE DIMENSIONS IN INCHES)
SCALE: FULL

MULTI-SLIDE DOOR DETAILS
PX DOOR SHOWN





(USE RULER TO SCALE DIMENSIONS IN INCHES)

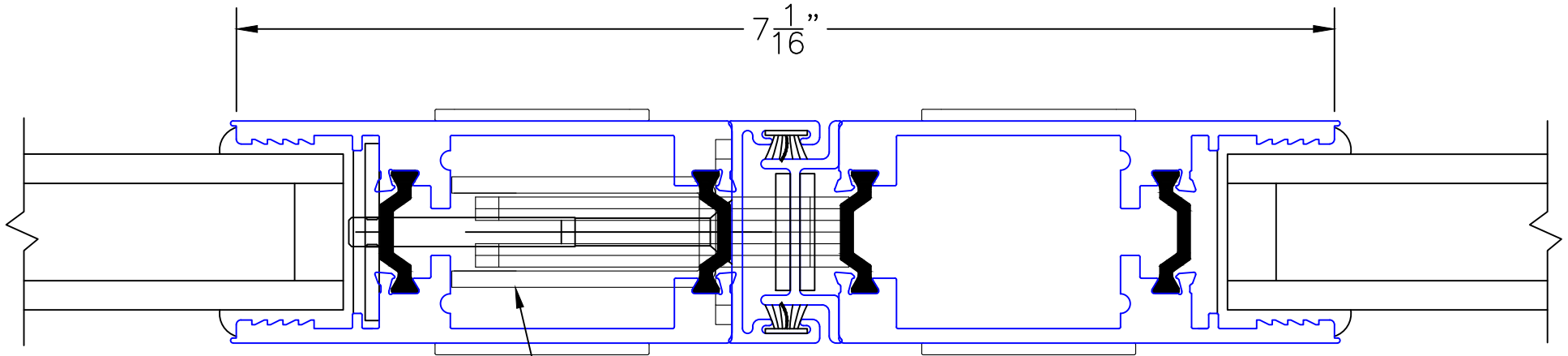
SCALE: FULL

MULTI-SLIDE DOOR DETAILS PXIXP DOOR SHOWN

6

MEETING STILES

7 ¹/₁₆"



ARCHETYPE NARROW
HARDWARE

EXTERIOR