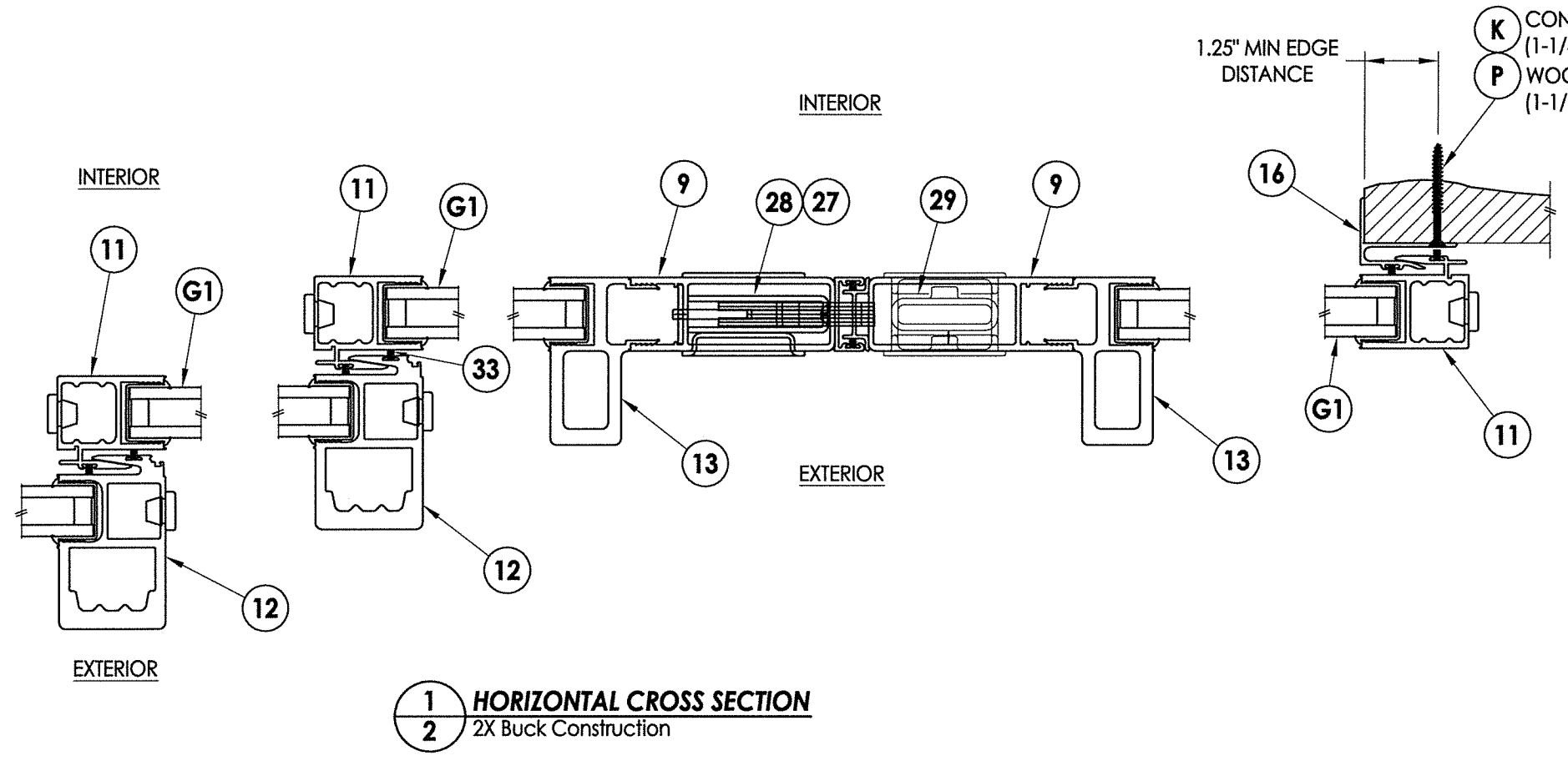
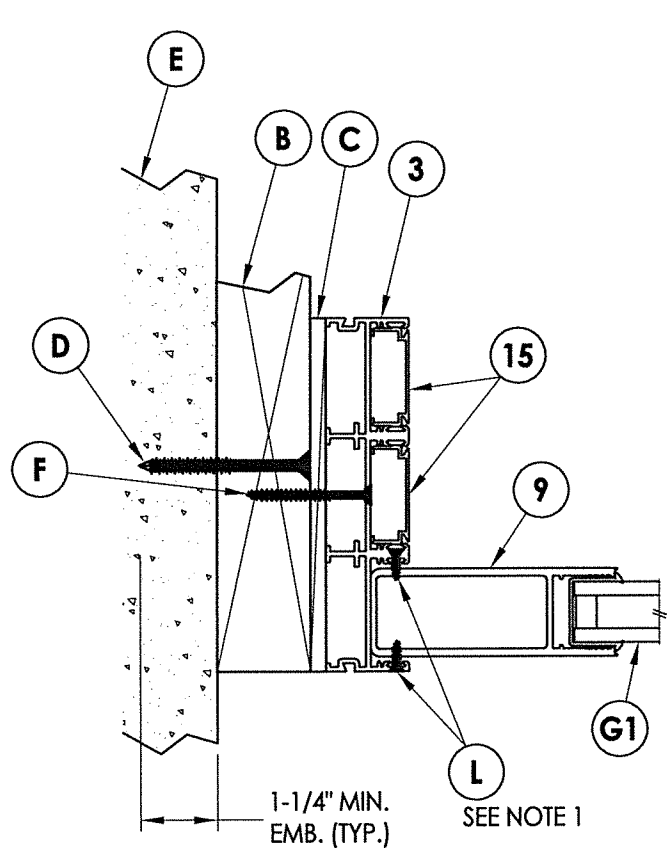
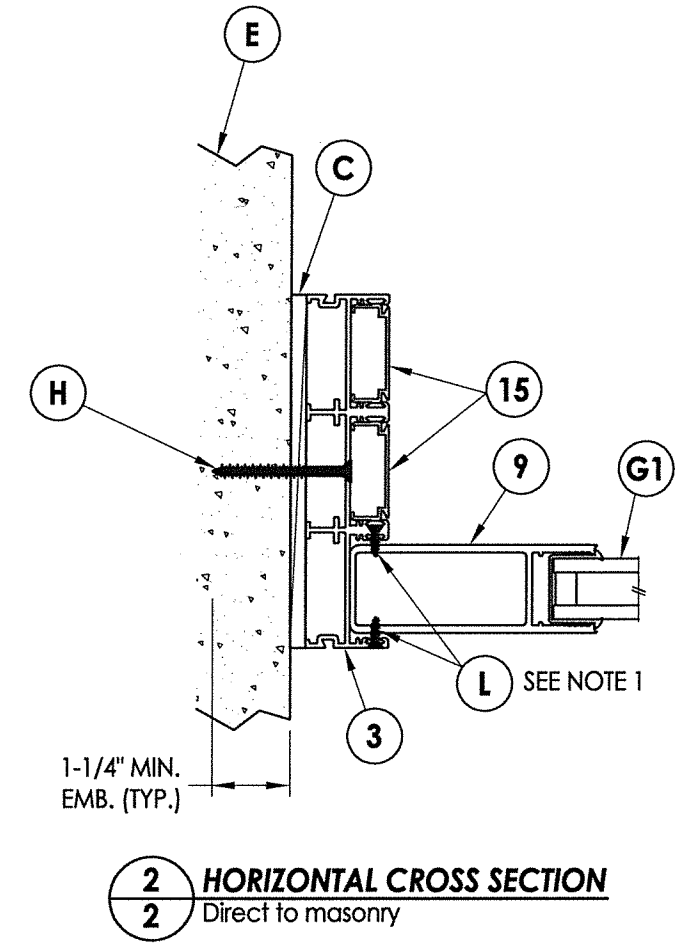
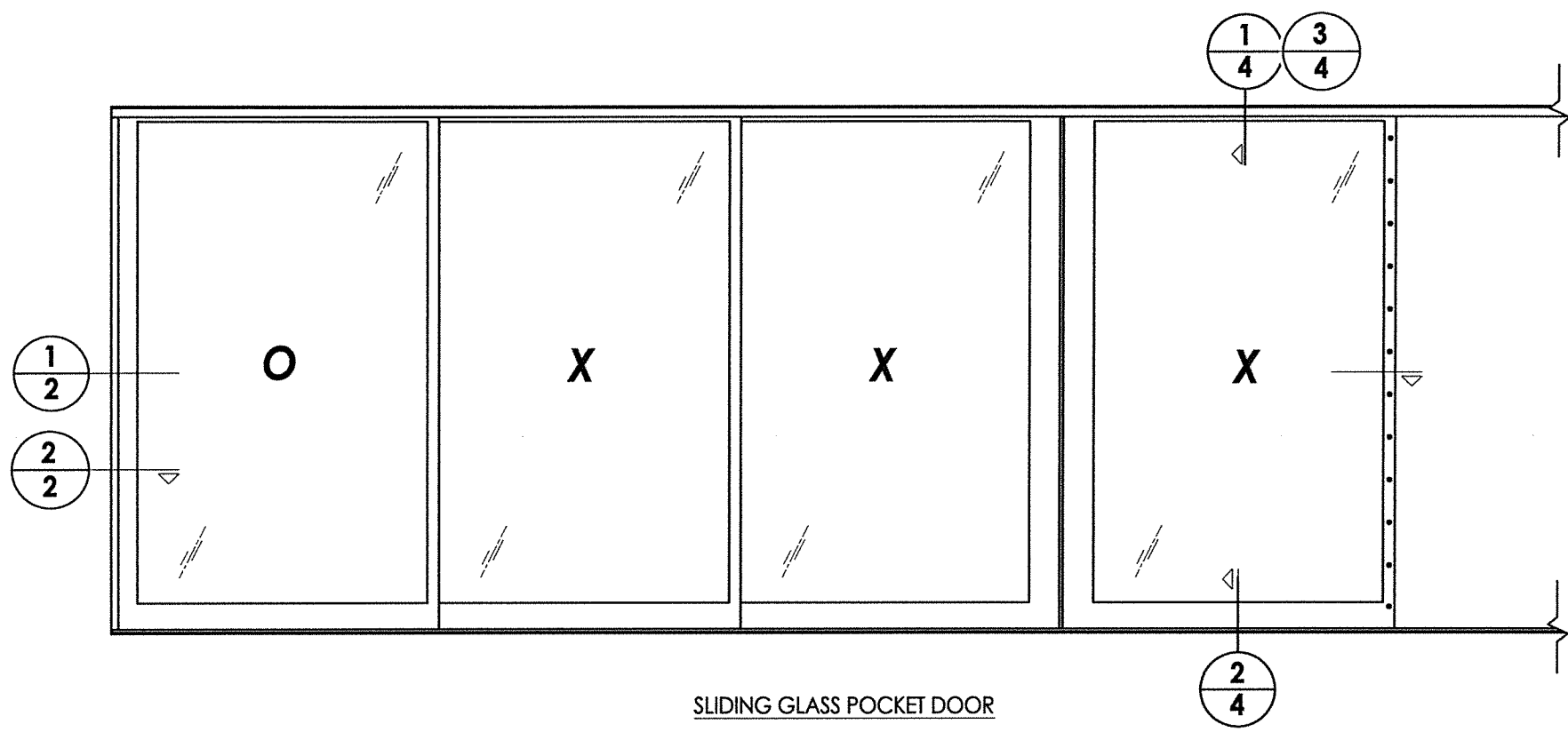
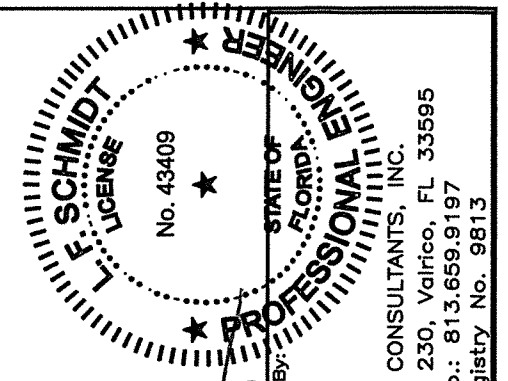


\\dc01\wbc\Clients\Fleetwood PERMANENTVA - Florida Product Approvals\FL-15560 Sliding Patio Doors\FL-15560.8-10.dwg



NOTE:
1. Fixed panel screws located 39" from each end.



August 10, 2020
Documents Prepared By:
Lyndon F. Schmidt
P.E. No. 43409

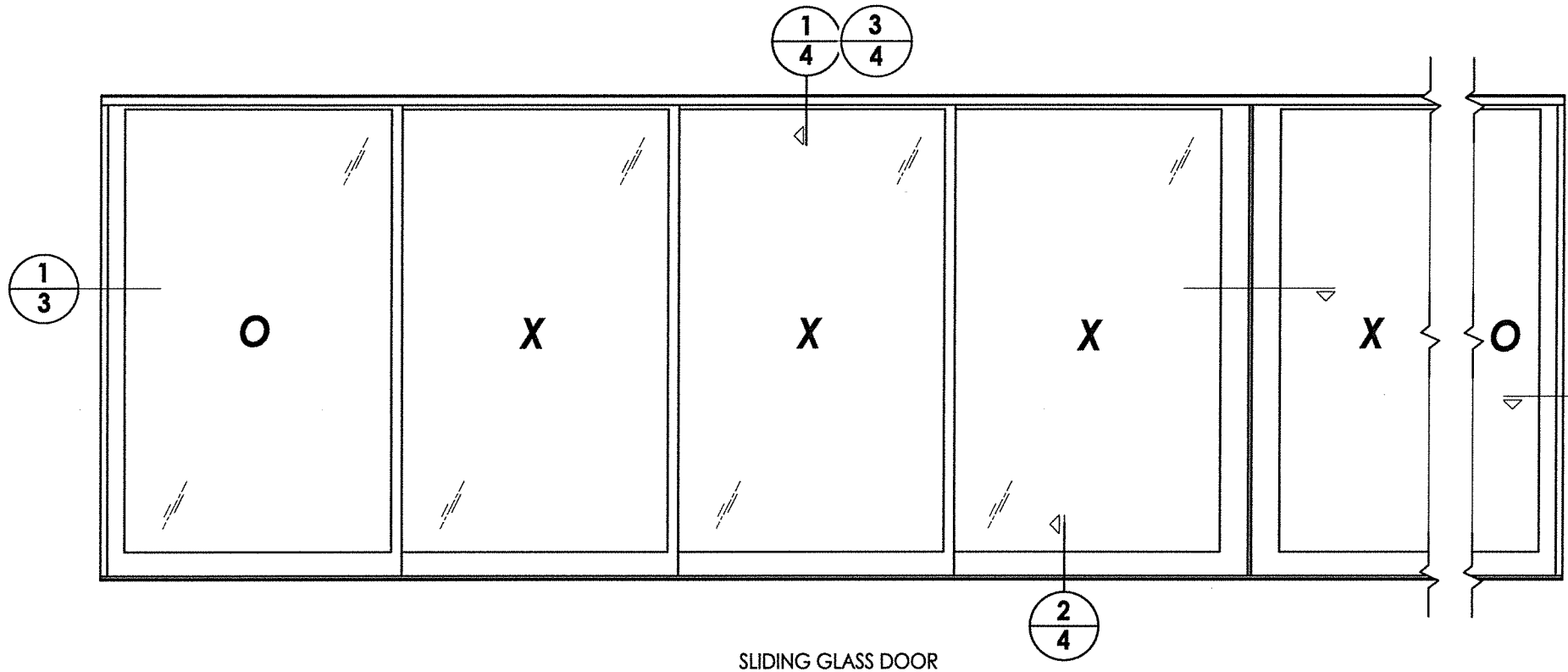
PRODUCT:
FLEETWOOD WINDOWS & DOORS

PART OR ASSEMBLY:
HORIZONTAL CROSS SECTIONS

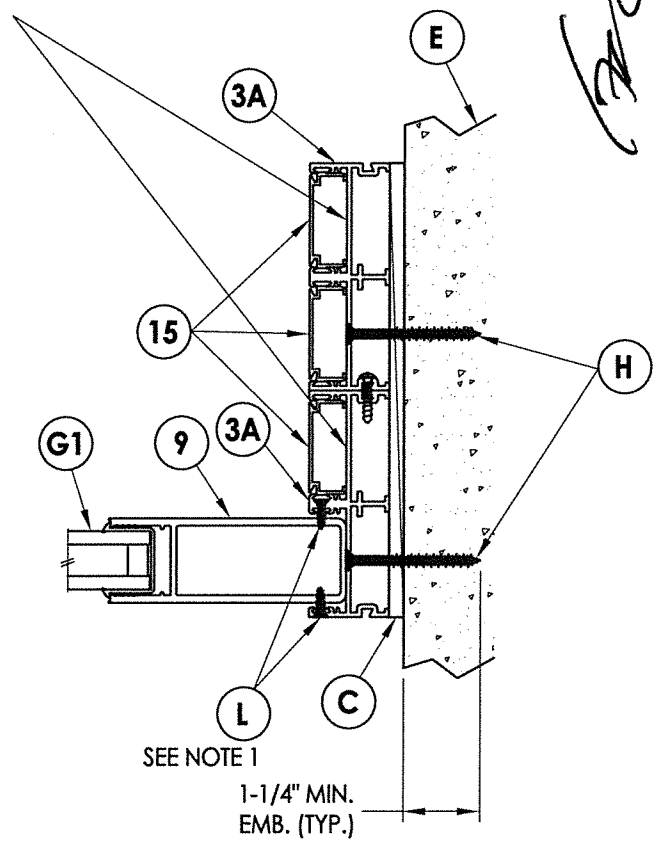
NO.	DATE	REVISIONS
4	8/10/20	UPDATE TO 7th ED. (2020) FBC DAC
3	08/08/17	UPDATE TO 6TH ED. (2017) FBC LFS
2	8/06/15	CLARIFY MAX. PANEL SIZE & CHANGE NAME JK
1	04/22/15	UPDATE TO 5TH ED. (2014) FBC JK
		BY

DATE: 3/20/14
SCALE: N.T.S.
DWG. BY: JK
CHK. BY: LFS
DRAWING NO.: FL-15560.8
SHEET 2 OF 9

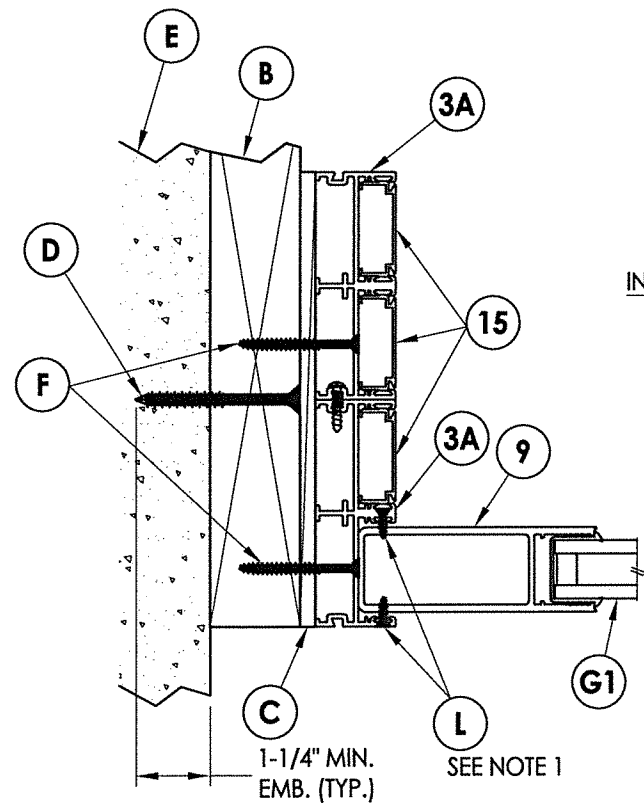
RW BUILDING CONSULTANTS, INC.
P.O. Box 230, Valrico, FL 33595
Phone No.: 813.659.9197
FBPE Registry No. 9813



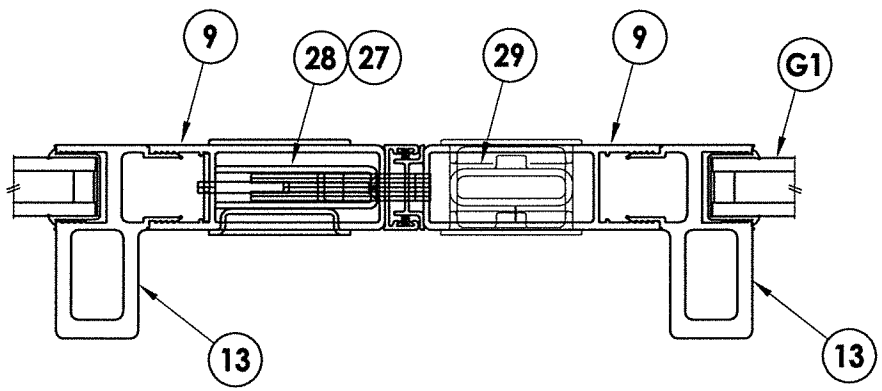
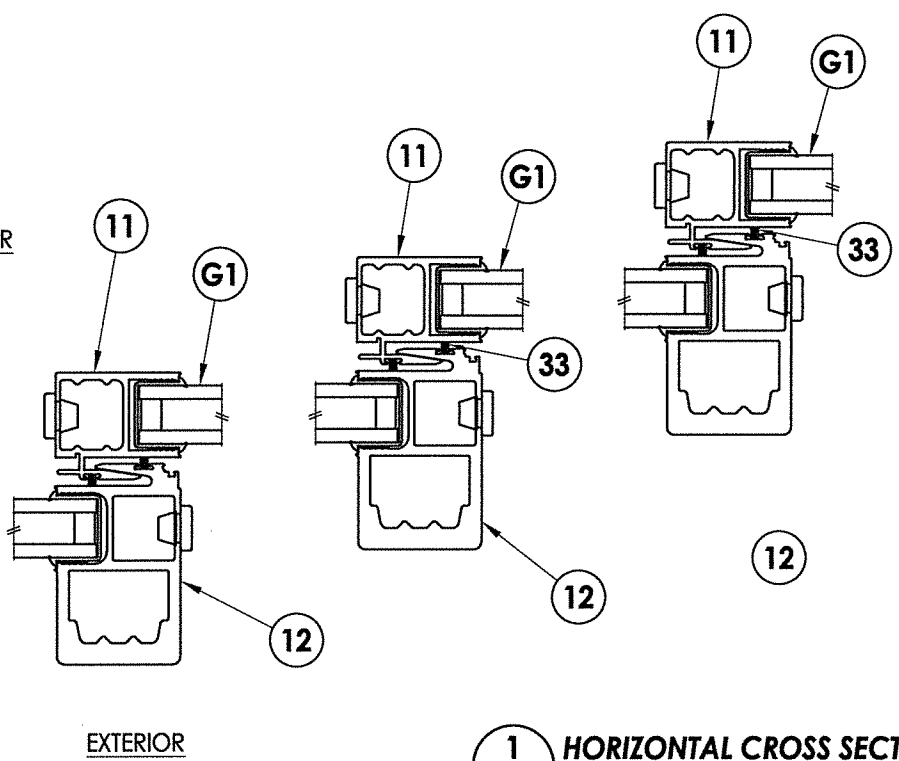
Each track must be independently anchored as per the frame anchoring (see Sheets 6 & 7). Maintain 4" min clearance between concrete anchors.



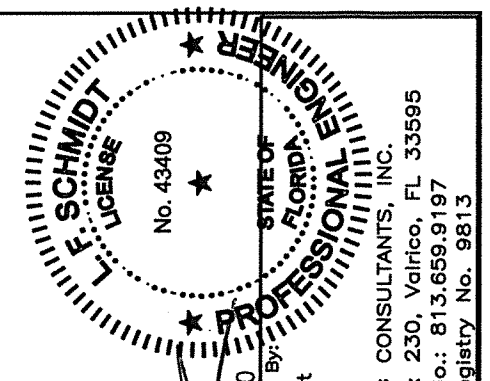
2 HORIZONTAL CROSS SECTION
Direct to masonry



1 HORIZONTAL CROSS SECTION
2X Buck Construction



NOTE:
1. Fixed panel screws located 39" from each end.

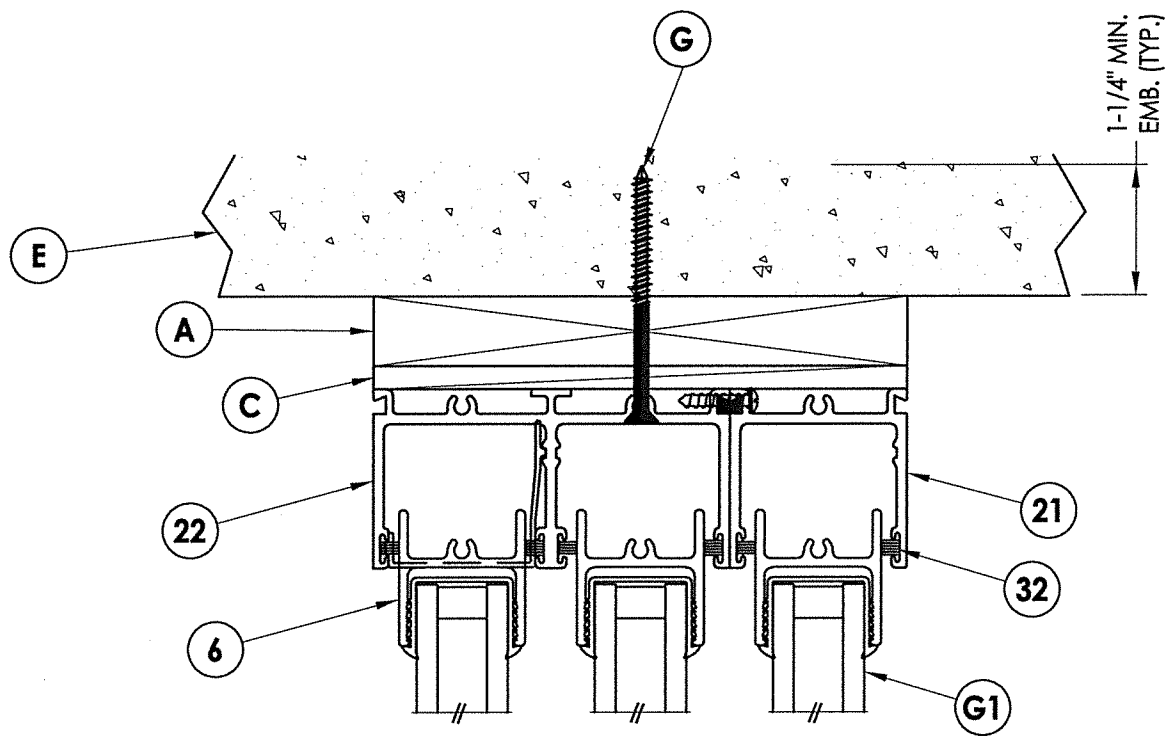


August 10, 2020
Documents Prepared By:
Lyndon F. Schmidt
P.E. No. 43409
RW
BUILDING CONSULTANTS, INC.
P.O. Box 230, Valrico, FL 33595
Phone No.: 813.659.9197
FBPE Registry No. 9813

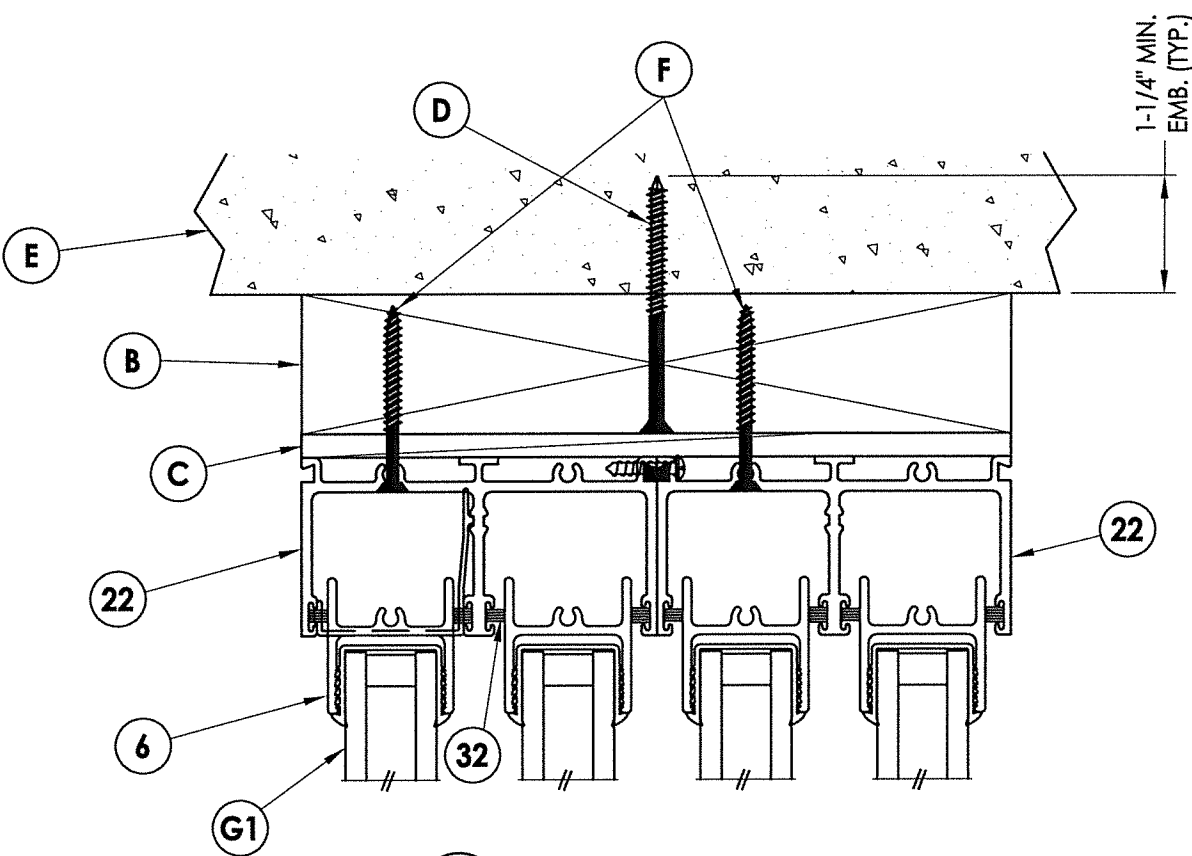
PRODUCT:		FLEETWOOD WINDOWS & DOORS	
PART OR ASSEMBLY:		HORIZONTAL CROSS SECTIONS	
NO.	DATE	REVISIONS	
4	8/10/20	UPDATE TO 7th ED. (2020) FBC	DAC
3	08/08/17	UPDATE TO 6th ED. (2017) FBC	LFS
2	8/06/15	CLARIFY MAX PANEL SIZE & CHANGE NAME	JK
1	04/22/15	UPDATE TO 5th ED. (2014) FBC	JK
			BY

DATE: 3/20/14
SCALE: N.T.S.
DWG. BY: JK
CHK. BY: LFS
DRAWING NO.: FL-15560.8
SHEET 3 OF 9

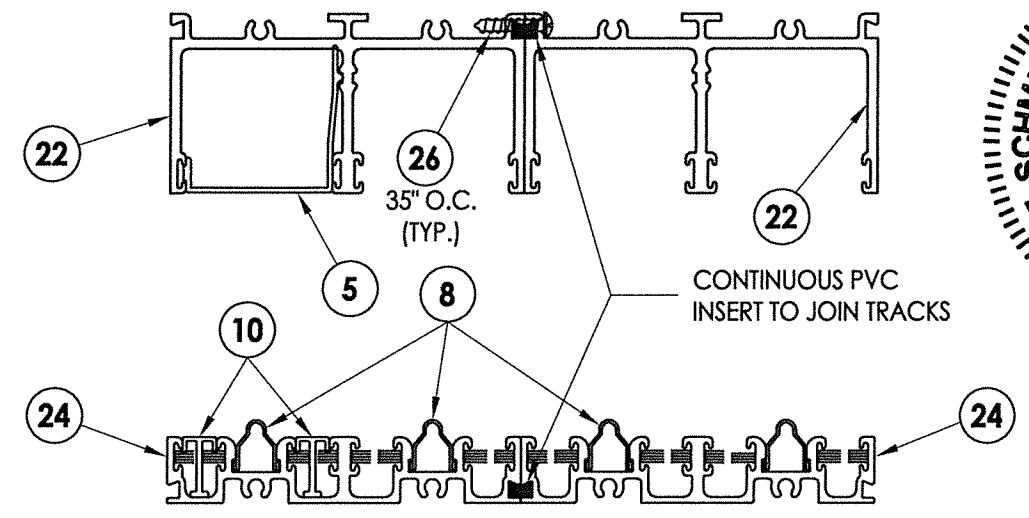
\\dc01\whc\Clients\Fleetwood PERMANENT.A - Florida Product Approvals\EL-15560 Sliding Patio Doors\C - Drawings\EL_15560(2020)\FI_15560.8-10.dwg



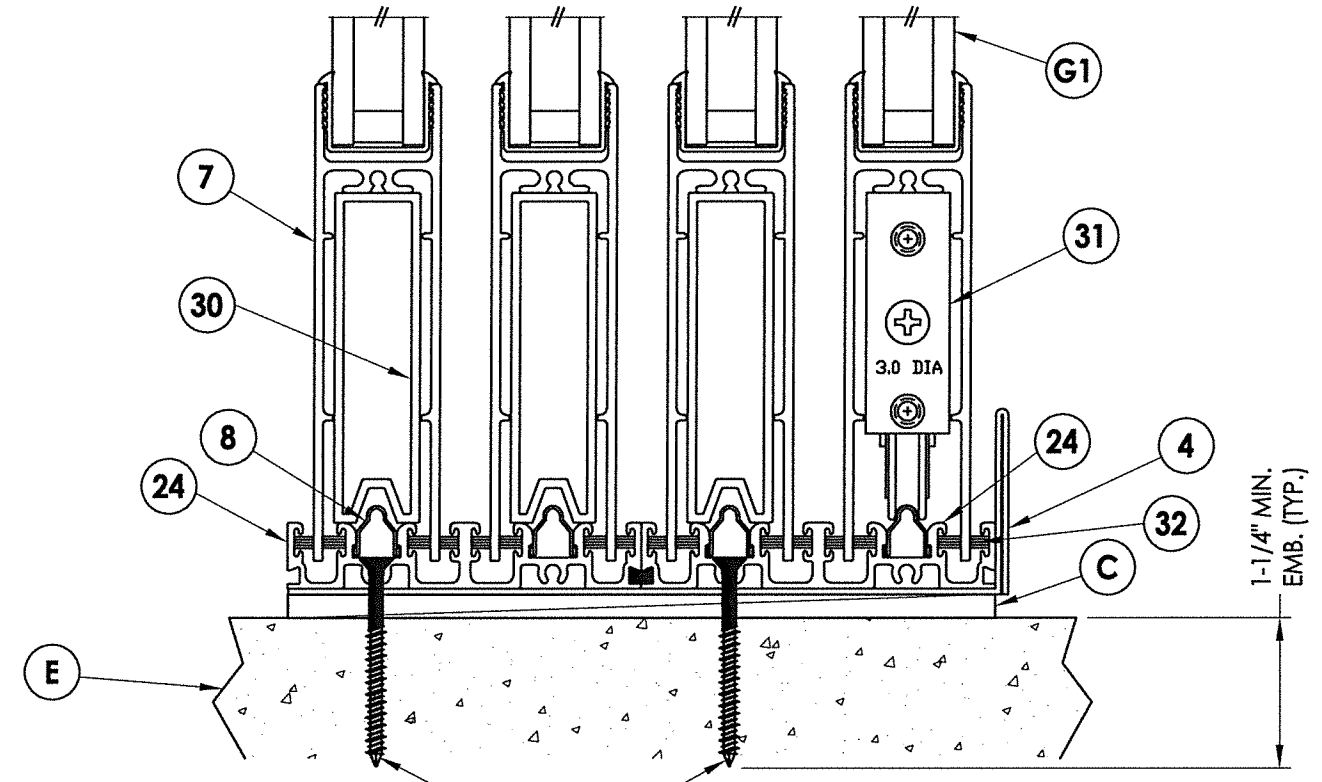
1 VERTICAL CROSS SECTION
4 1X Buck Construction
 (Shown w/ 3 tracks)



3 VERTICAL CROSS SECTION
4 2X Buck Construction
 (Shown w/ 4 tracks)



HEAD & SILL COVER CONDITION



2 VERTICAL CROSS SECTION
4 Direct to masonry
 (Shown w/ 4 tracks)

NOTE:
 1. A full-depth cut-out (1" wide x 3/16" tall) in track base is necessary to allow for water drainage (12" from each end and 24" o.c.).

August 10, 2020
 Documents Prepared By:
 Lyndon F. Schmidt
 P.E. No. 43409

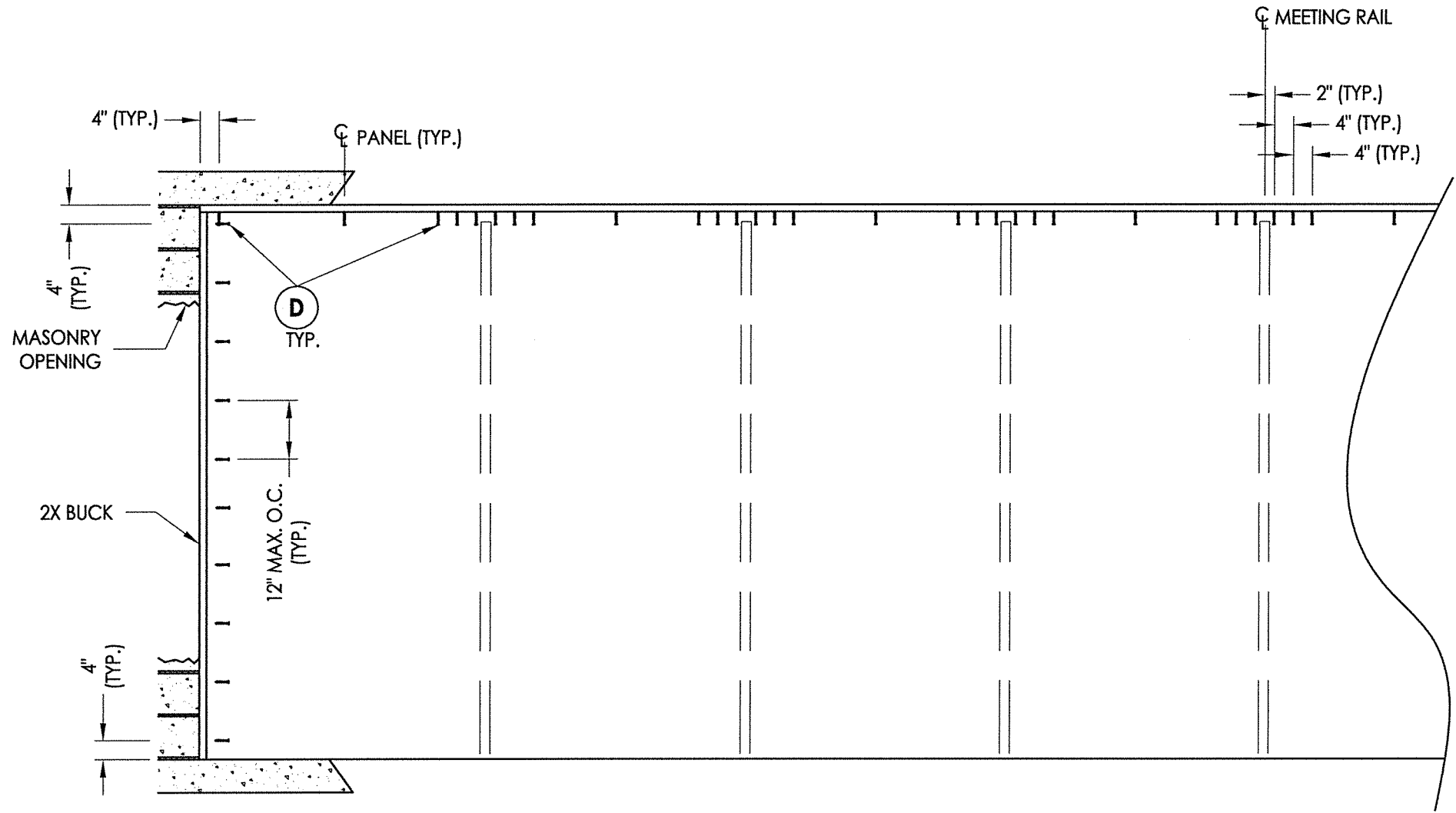
E. SCHMIDT
 LICENSE
 No. 43409
 STATE OF
 FLORIDA
 PROFESSIONAL ENGINEER

RW
 BUILDING CONSULTANTS, INC.
 P.O. Box 230, Valrico, FL 33595
 Phone No.: 813.659.9197
 FBPE Registry No. 9813

PRODUCT:		FLEETWOOD WINDOWS & DOORS	
PART OR ASSEMBLY:		VERTICAL CROSS SECTIONS	
NO.	DATE	REVISIONS	
4	8/10/20	UPDATE TO 7th ED. (2020)	FBC DAC
3	08/08/17	UPDATE TO 6TH ED. (2017)	FBC LFS
2	8/06/15	CLARIFY MAX PANEL SIZE & CHANGE NAME	JK
1	04/22/15	UPDATE TO 5TH ED. (2014)	FBC JK
			BY

DATE:	3/20/14
SCALE:	N.T.S.
DWG. BY:	JK
CHK. BY:	LFS
DRAWING NO.:	FL-15560.8
SHEET	4 OF 9

\\dc01\rbw\clients\Fleetwood PERMANENTA - Florida Product Approvals\FL-15560 (2020)\FL-15560 Sliding Patio Doors\C - Drawings\FL 15560 (2020)\FL-15560.8-10.dwg

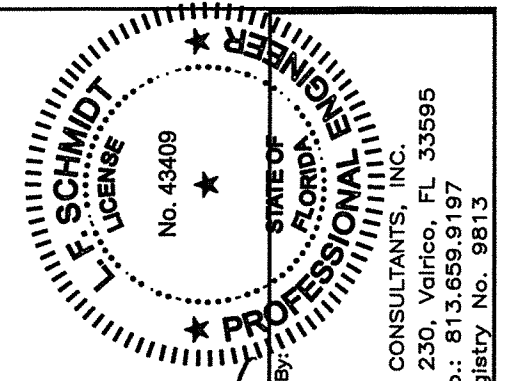


2X BUCK ANCHORING

CONCRETE ANCHOR NOTES:

1. Concrete anchor locations at the corners may be adjusted to maintain the min. edge distance to mortar joints.
2. Concrete anchor locations noted as "MAX. ON CENTER" must be adjusted to maintain the min. edge distance to mortar joints, additional concrete anchors may be required to ensure the "MAX. ON CENTER" dimension are not exceeded.
3. Concrete anchor table:

ANCHOR TYPE	ANCHOR SIZE	MIN. EMBEDMENT	MIN. CLEARANCE TO MASONRY EDGE	MIN. CLEARANCE TO ADJACENT ANCHOR
ITW TAPCON®	1/4"	1-1/4"	2"	4"
DeWALT ULTRACON®	1/4"	1-1/4"	2-1/2"	4"



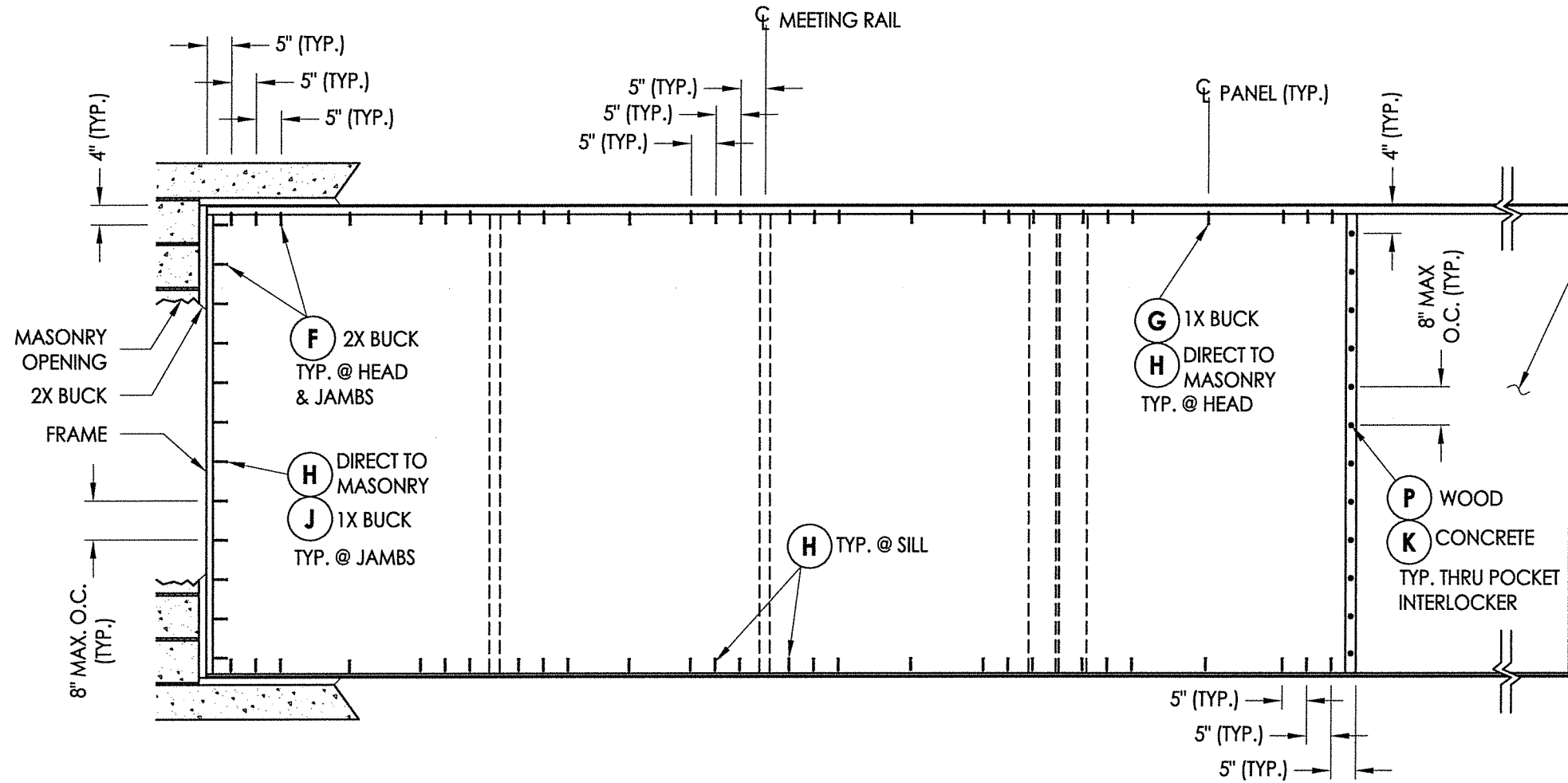
August 10, 2020
 Documents Prepared By:
 Lyndon F. Schmidt
 P.E. No. 43409
 R.W. BUILDING CONSULTANTS, INC.
 P.O. Box 230, Valrico, FL 33595
 Phone No.: 813.659.9197
 FBPE Registry No. 9813

PRODUCT:
 FLEETWOOD WINDOWS & DOORS
 PART OR ASSEMBLY:
 BUCK ANCHORING

NO.	DATE	REVISIONS
4	8/10/20	UPDATE TO 7TH ED. (2020) FBC
3	08/08/17	UPDATE TO 6TH ED. (2017) FBC
2	8/06/15	CLARIFY MAX PANEL SIZE & CHANGE NAME
1	04/22/15	UPDATE TO 5TH ED. (2014) FBC

DATE: 3/20/14
 SCALE: N.T.S.
 DWG. BY: JK
 CHK. BY: LFS
 DRAWING NO.: FL-15560.8
 SHEET 5 OF 9

\\dc01\pwb\clients\Fleetwood PERMANENTVA - Florida Product Approvals\FL-15560 Sliding Patio Doors\C - Drawings\FL 15560 (2020)\FL-15560.8-10.dwg



NOTE: Pocket door area by others

FRAME ANCHORING

SLIDING GLASS POCKET DOOR

(NOTE: 1 ANCHOR REQUIRED PER TRACK @ EACH LOCATION)

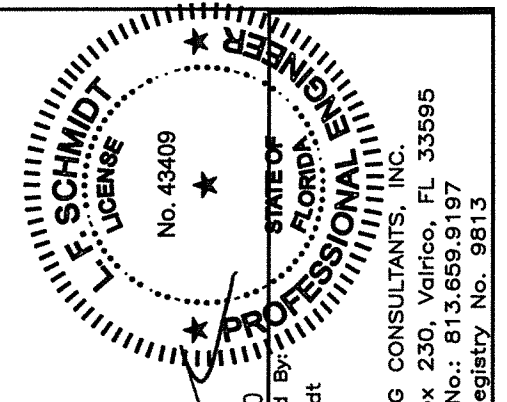
CONCRETE ANCHOR NOTES:

1. Concrete anchor locations at the corners may be adjusted to maintain the min. edge distance to mortar joints.
2. Concrete anchor locations noted as "MAX. ON CENTER" must be adjusted to maintain the min. edge distance to mortar joints, additional concrete anchors may be required to ensure the "MAX. ON CENTER" dimension are not exceeded.
3. Concrete anchor table:

ANCHOR TYPE	ANCHOR SIZE	MIN. EMBEDMENT	MIN. CLEARANCE TO MASONRY EDGE	MIN. CLEARANCE TO ADJACENT ANCHOR
ITW TAPCON®	3/16"	1-1/4"	2"	1-7/8"
DeWALT ULTRACON®	1/4"	1-1/4"	1"	6"

WOOD SCREW INSTALLATION NOTES:

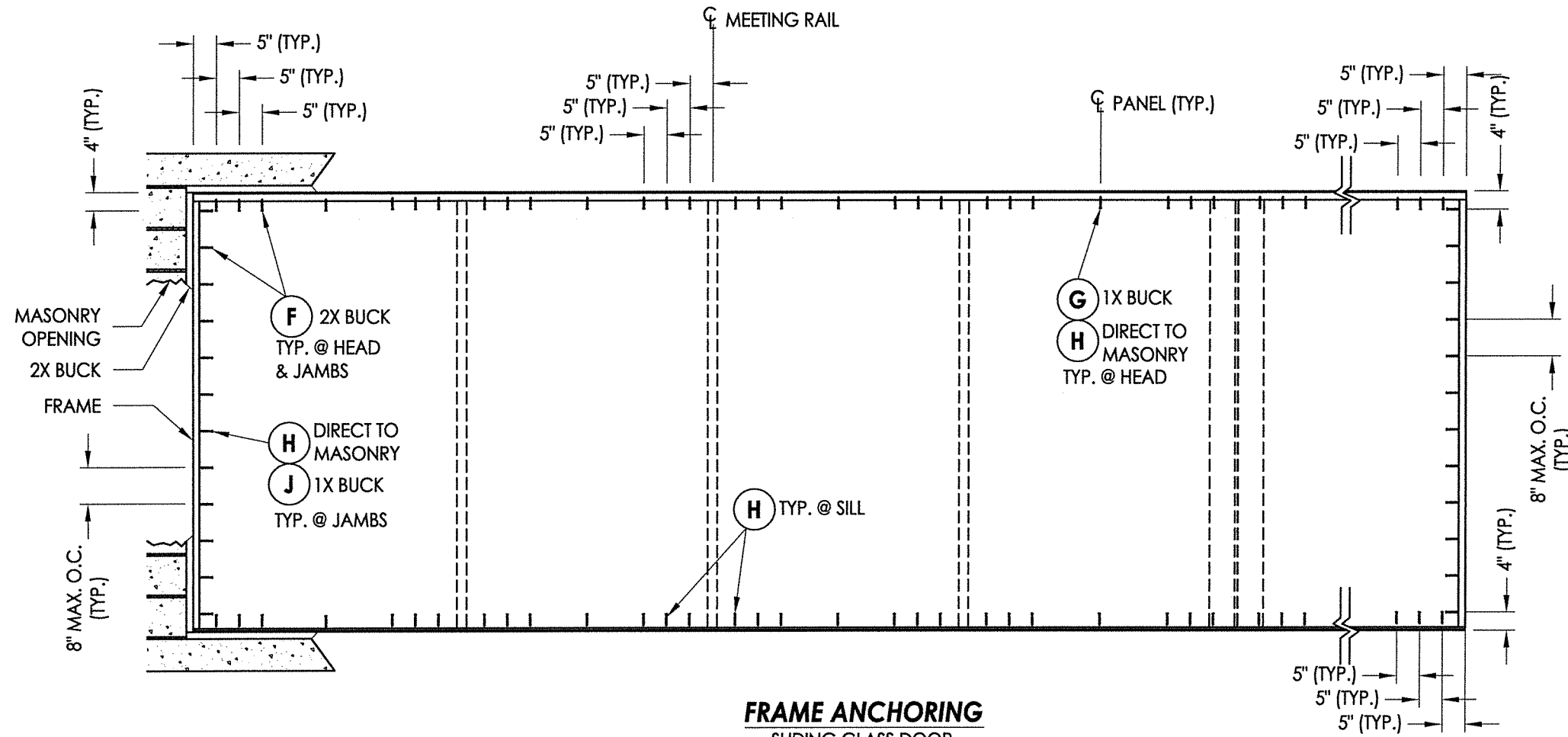
1. Maintain a minimum 3/4" edge distance, 1" end distance, & 1" o.c. spacing of wood screws to prevent the splitting of wood.



August 10, 2020
 Documents Prepared By:
 Lyndon F. Schmidt
 P.E. No. 43409

RW
 BUILDING CONSULTANTS, INC.
 P.O. Box 230, Valrico, FL 33595
 Phone No.: 813.659.9197
 FBPE Registry No. 9813

PRODUCT:		FLEETWOOD WINDOWS & DOORS			
PART OR ASSEMBLY:		FRAME ANCHORING			
NO.	DATE	BY	JK	JK	BY
4	8/10/20	UPDATE TO 7TH ED. (2020)	FBC	DAC	REVISIONS
3	08/08/17	UPDATE TO 6TH ED. (2017)	FBC	LFS	
2	8/06/15	CLARIFY MAX PANEL SIZE & CHANGE NAME		JK	
1	04/22/15	UPDATE TO 5TH ED. (2014)	FBC	JK	
DATE: 3/20/14					
SCALE: N.T.S.					
DWG. BY: JK					
CHK. BY: LFS					
DRAWING NO.: FL-15560.8					
SHEET 6 OF 9					



FRAME ANCHORING

SLIDING GLASS DOOR

(NOTE: 1 ANCHOR REQUIRED PER TRACK @ EACH LOCATION)

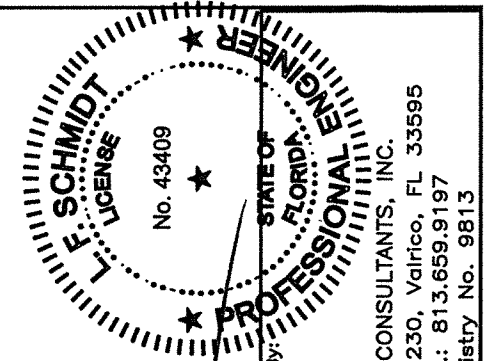
CONCRETE ANCHOR NOTES:

- Concrete anchor locations at the corners may be adjusted to maintain the min. edge distance to mortar joints.
- Concrete anchor locations noted as "MAX. ON CENTER" must be adjusted to maintain the min. edge distance to mortar joints, additional concrete anchors may be required to ensure the "MAX. ON CENTER" dimension are not exceeded.
- Concrete anchor table:

ANCHOR TYPE	ANCHOR SIZE	MIN. EMBEDMENT	MIN. CLEARANCE TO MASONRY EDGE	MIN. CLEARANCE TO ADJACENT ANCHOR
ITW TAPCON®	3/16"	1-1/4"	2"	1-7/8"

WOOD SCREW INSTALLATION NOTES:

- Maintain a minimum 3/4" edge distance, 1" end distance, & 1" o.c. spacing of wood screws to prevent the splitting of wood.

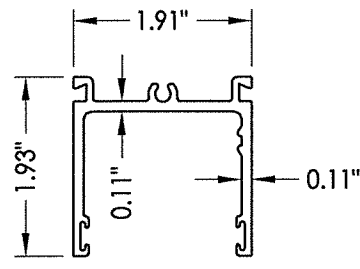


August 10, 2020
 Documents Prepared By:
 Lyndon F. Schmidt
 P.E. No. 43409
 R.W. BUILDING CONSULTANTS, INC.
 P.O. Box 230, Valrico, FL 33595
 Phone No.: 813.659.9197
 FBPE Registry No. 9813

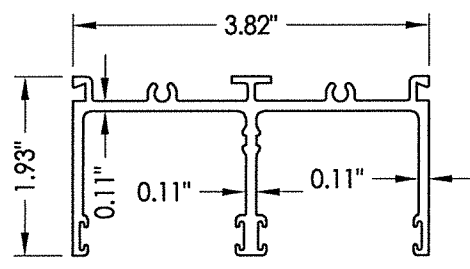
PRODUCT:	FLEETWOOD WINDOWS & DOORS
PART OR ASSEMBLY:	FRAME ANCHORING

NO.	DATE	REVISIONS
4	8/10/20	UPDATE TO 7TH ED. (2020) FBC
3	08/08/17	UPDATE TO 6TH ED. (2017) FBC
2	8/06/15	CLARIFY MAX. PANEL SIZE & CHANGE NAME
1	04/22/15	UPDATE TO 5TH ED. (2014) FBC

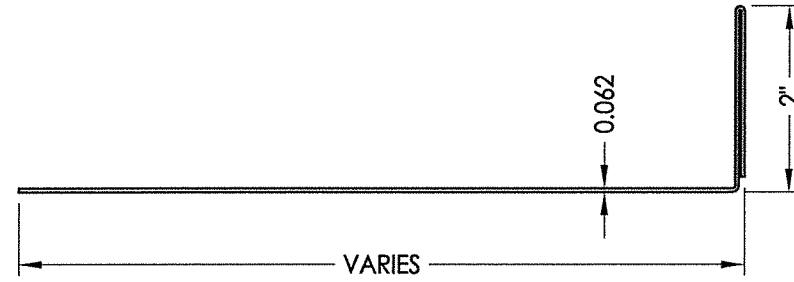
DATE:	3/20/14
SCALE:	N.T.S.
DWG. BY:	JK
CHK. BY:	LFS
DRAWING NO.:	FL-15560.8
SHEET	7 OF 9



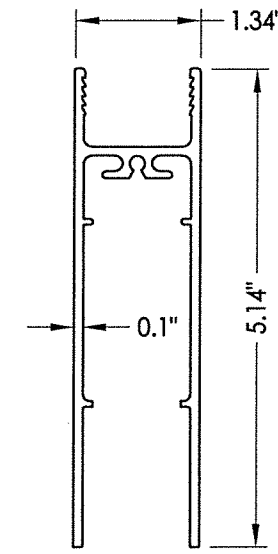
21 HEAD TRACK
1 Run



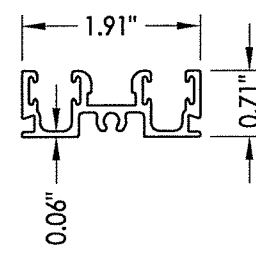
22 HEAD TRACK
2 Runs



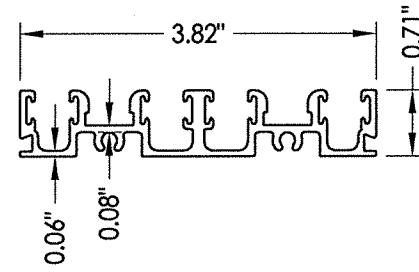
4 SILL PAN



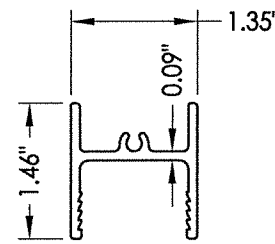
7 BOTTOM RAIL



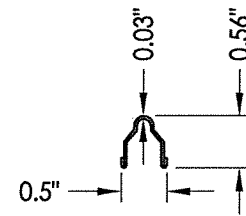
23 SILL TRACK
1 Run



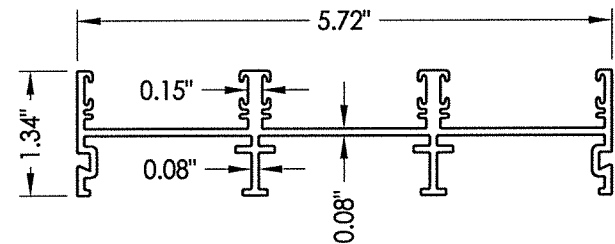
24 SILL TRACK
2 Runs



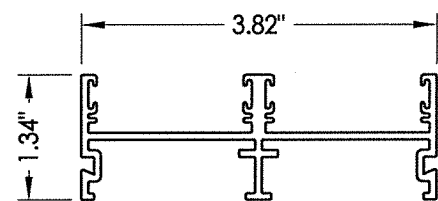
6 TOP RAIL



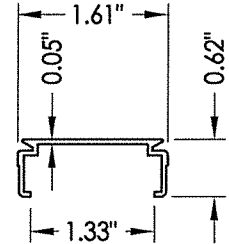
8 TRACK



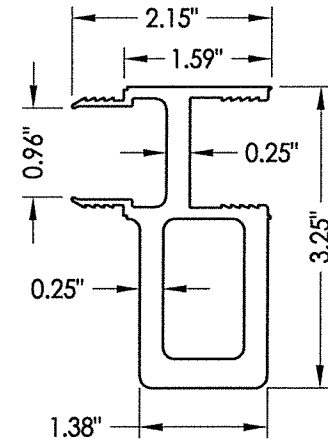
3 JAMB TRACK
3 Runs



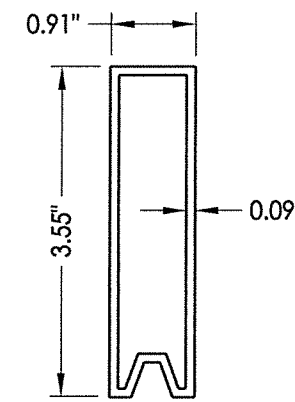
3A JAMB TRACK
2 Runs



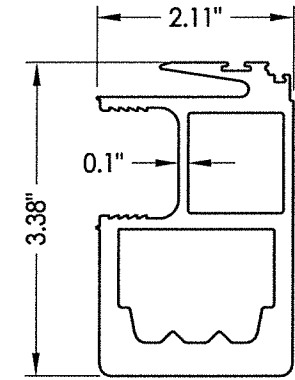
15 JAMB CHANNEL FILLER



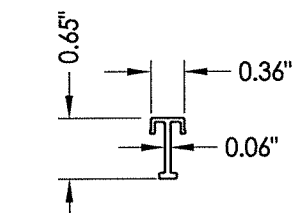
13 WINDLOAD ADAPTER



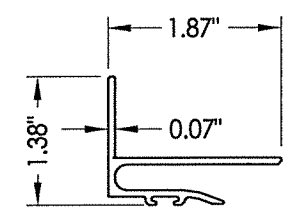
30 PANEL SETTING BLOCK



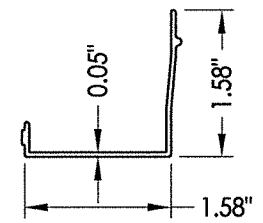
12 INTERLOCK STILE
High Performance



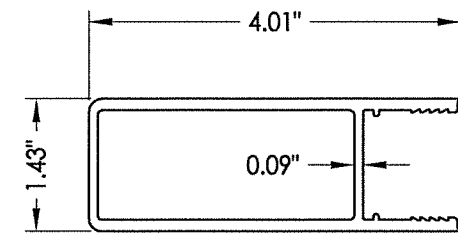
10 SILL CHANNEL FILLER



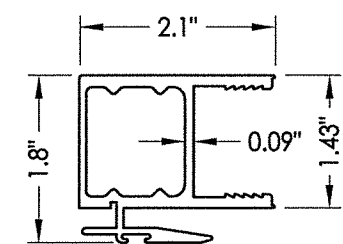
16 POCKET INTERLOCKER



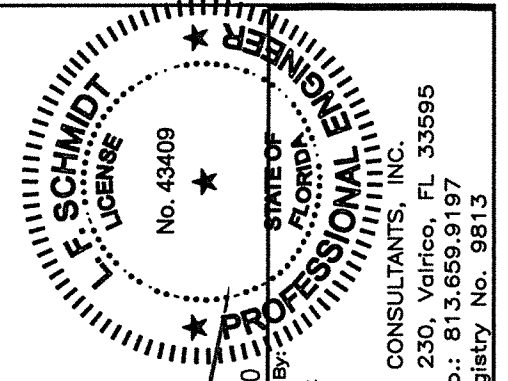
5 HEAD CHANNEL FILLER



9 STILE



11 INTERLOCK STILE
Standard

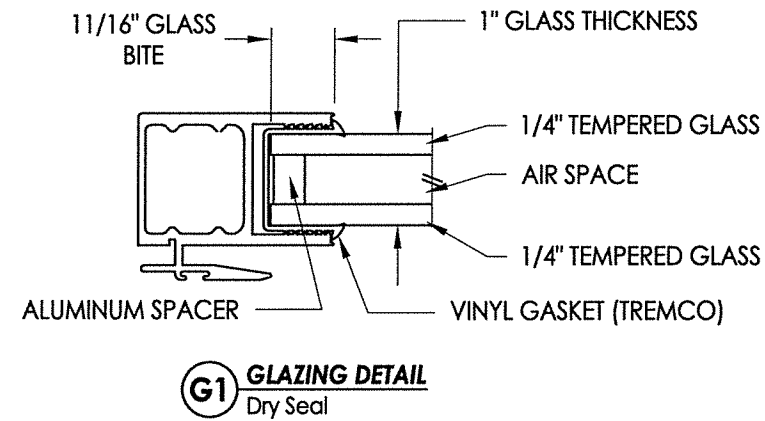


August 10, 2020
 Documents Prepared By:
 Lyndon F. Schmidt
 P.E. No. 43409
 R.W. BUILDING CONSULTANTS, INC.
 P.O. Box 230, Valrico, FL 33595
 Phone No.: 813.659.9197
 FBPE Registry No. 9813

PRODUCT:		FLEETWOOD WINDOWS & DOORS	
PART OR ASSEMBLY:		COMPONENTS	
NO.	DATE	REVISIONS	BY
4	8/10/20	UPDATE TO 7th ED. (2020) FBC	DAC
3	08/08/17	UPDATE TO 6TH ED. (2017) FBC	LFS
2	8/06/15	CLARIFY MAX PANEL SIZE & CHANGE NAME	JK
1	04/22/15	UPDATE TO 5TH ED. (2014) FBC	JK
DATE:		3/20/14	
SCALE:		N.T.S.	
DWG. BY:		JK	
CHK. BY:		LFS	
DRAWING NO.:		FL-15560.8	
SHEET		8 OF 9	

BILL OF MATERIALS

ITEM #	DESCRIPTION	MATERIAL
A	1X BUCK SG >= 0.55	WOOD
B	2X BUCK SG >= 0.55	WOOD
C	1/4" MAX. SHIM SPACE	-
D	1/4" X 2-3/4" DeWALT OR ITW PFH CONCRETE SCREW	STEEL
E	MASONRY - 3,000 PSI MIN. CONCRETE CONFORMING TO ACI 301 OR HOLLOW BLOCK CONFORMING TO ASTM C90	CONCRETE
F	#10 X 2" PFH SMS (1" MIN. EMBEDMENT)	STEEL
G	3/16" X 2-3/4" ITW PFH CONCRETE SCREW	STEEL
H	3/16" X 2-1/4" ITW PFH CONCRETE SCREW	STEEL
J	3/16" X 3-1/4" ITW PFH CONCRETE SCREW	STEEL
K	1/4" X 1- 3/4" DeWALT PFH CONCRETE SCREW	STEEL
L	#8 X 1/2" PFH SMS	STEEL
P	#10 X 2" PFH SMS (1-1/2" MIN. EMBEDMENT)	STEEL
3	JAMB TRACK (3 RUNS)	6063-T6 ALUM
3A	JAMB TRACK (2 RUNS)	6063-T6 ALUM
4	SILL PAN (TRIPLE RUN)	5052 -ALUM
5	HEAD CHANNEL FILLER	6063-T6 ALUM
6	TOP RAIL	6063-T6 ALUM
7	BOTTOM RAIL	6063-T6 ALUM
8	TRACK	S.S.
9	STILE	6063-T6 ALUM
10	SILL CHANNEL FILLER	6063-T6 ALUM
11	STANDARD INTERLOCK STILE	6063-T6 ALUM
12	HIGH PERFORMANCE INTERLOCK STILE	6063-T6 ALUM
13	WINDLOAD ADAPTER	6063-T6 ALUM
15	JAMB CHANNEL FILLER	6063-T6 ALUM
16	POCKET INTERLOCKER	6063-T6 ALUM
21	HEAD TRACK (1 RUN)	6063-T6 ALUM
22	HEAD TRACK (2 RUNS)	6063-T6 ALUM
23	SILL TRACK (1 RUN)	6063-T6 ALUM
24	SILL TRACK (2 RUNS)	6063-T6 ALUM
26	#8 X 3/4" PPH SMS	STEEL
27	PRIMARY LATCH	-
28	SECONDARY LATCH	-
29	HANDLE SET	-
30	PANEL SETTING BLOCK	6063-T6 ALUM
31	MAMMOTH ROLLER ASSEMBLY	-
32	CENTER-FIN WEATHERSEAL .290 HIGH PILE (AMESBURY 43629-270)	-
33	HEAVY DENSITY WEATHERSEAL .300 HIGH PILE (AMESBURY 413330-270)	-



August 10, 2020
 Documents Prepared By:
 Lyndon F. Schmidt
 P.E. No. 43409

RW BUILDING CONSULTANTS, INC.
 P.O. Box 230, Valrico, FL 33595
 Phone No.: 813.659.9197
 FBPE Registry No. 9813

PRODUCT:		FLEETWOOD WINDOWS & DOORS	
PART OR ASSEMBLY:		BILL OF MATERIALS AND GLAZING DETAILS	
4	8/10/20	UPDATE TO 7th ED. (2020) FBC	DAC
3	08/08/17	UPDATE TO 6TH ED. (2017) FBC	LFS
2	8/06/15	CLARIFY MAX PANEL SIZE &	JK
1	04/22/15	CHANGE NAME	JK
		UPDATE TO 5TH ED. (2014) FBC	BY
			REVISIONS
DATE:		3/20/14	
SCALE:		N.T.S.	
DWG. BY:		JK	
CHK. BY:		LFS	
DRAWING NO.:		FL-15560.8	
SHEET		9 OF 9	