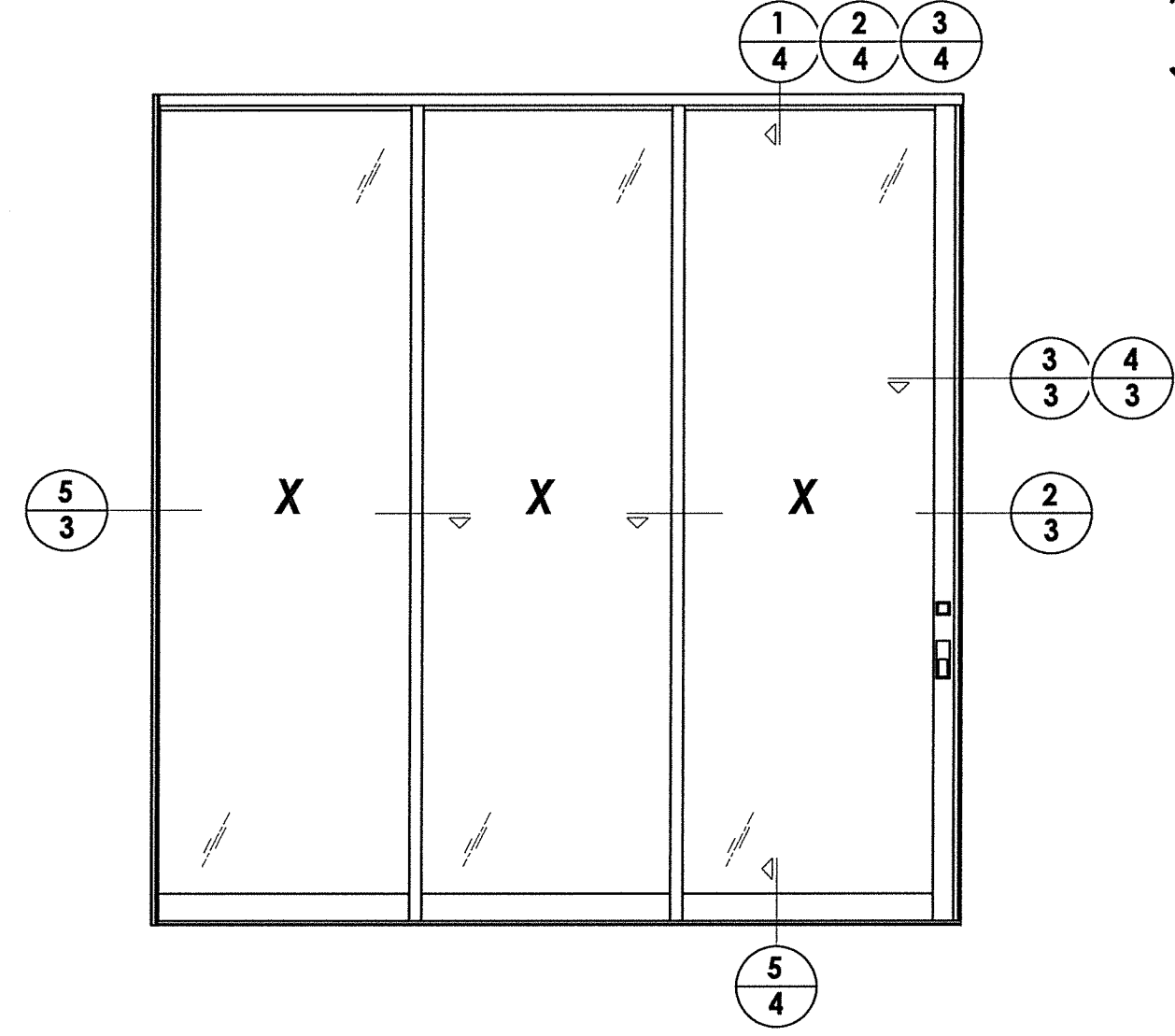
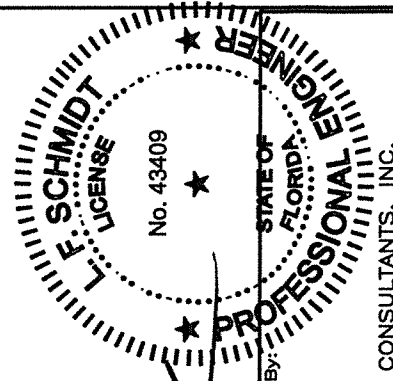


**SLIDING GLASS DOOR**



**SLIDING GLASS POCKET DOOR**



August 10, 2020  
 Documents Prepared By:  
 Lyndon F. Schmidt  
 P.E. No. 43409

**RW** BUILDING CONSULTANTS, INC.  
 P.O. Box 230, Valrico, FL 33595  
 Phone No.: 813.659.9197  
 FBPE Registry No. 9813

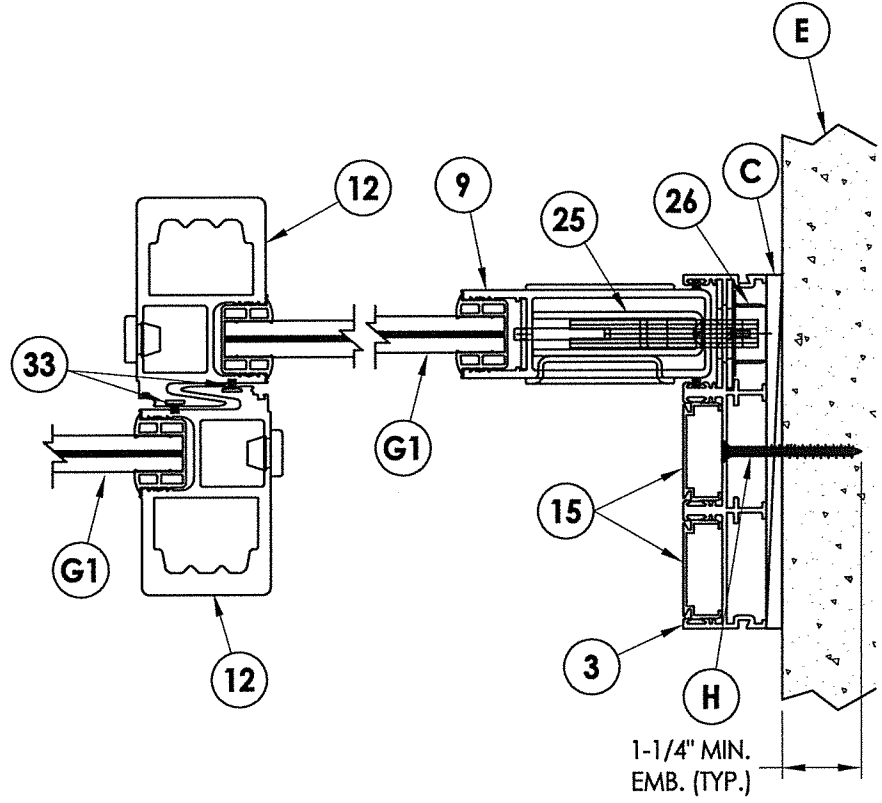
PRODUCT:  
**FLEETWOOD WINDOWS & DOORS**

PART OR ASSEMBLY:  
**ELEVATIONS**

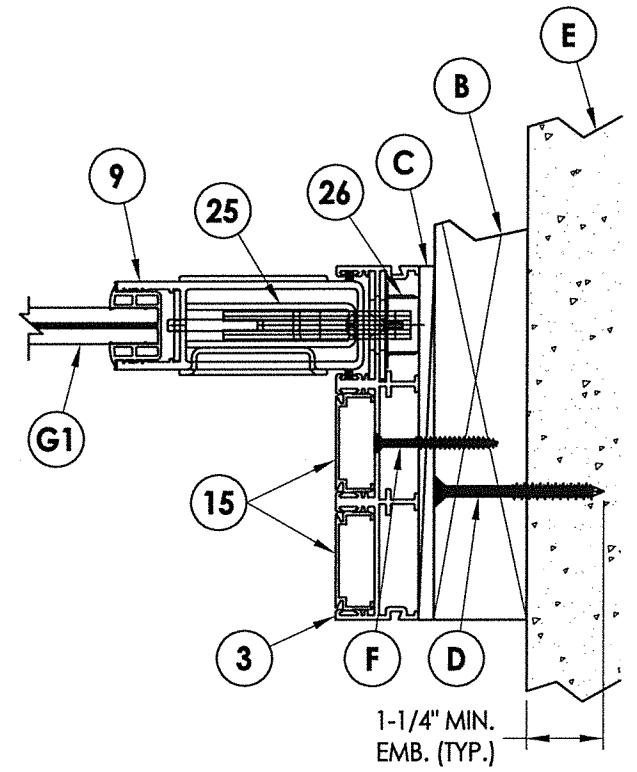
NO.	DATE	REVISIONS	BY
4	8/10/20	UPDATE TO 7th ED. (2020) FBC	DAC
3	08/08/17	UPDATE TO 6TH ED. (2017) FBC	LFS
2	8/06/15	CHANGE NAME	JK
1	04/22/15	UPDATE TO 5TH ED. (2014) FBC	JK

DATE: 3/10/14  
 SCALE: N.T.S.  
 DWG. BY: JK  
 CHK. BY: LFS  
 DRAWING NO.:  
 FL-15560.6  
 SHEET 2 OF 9

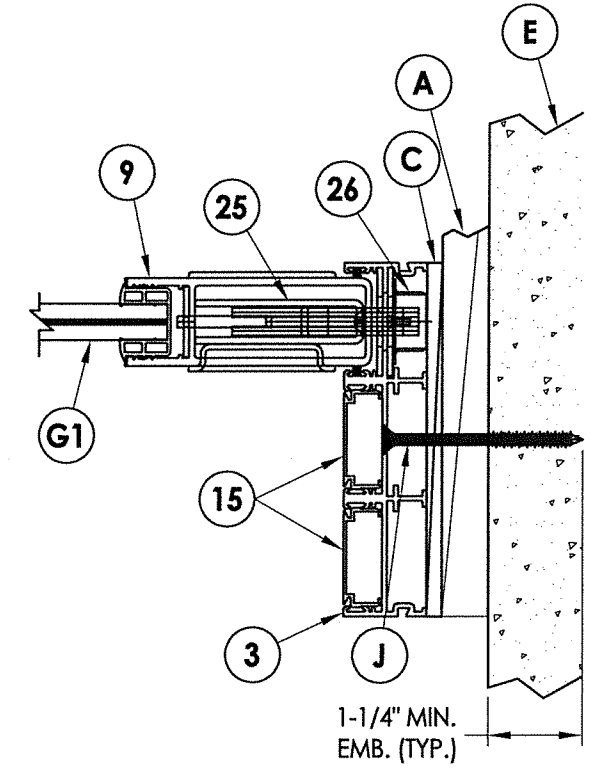
\\dc01\rbw\clients\Fleetwood PERMANENTVA - Florida Product Approvals\FL-15560 Sliding Patio Doors\C - Drawings\FL 15560 (2020)\FL-15560.6-7.dwg



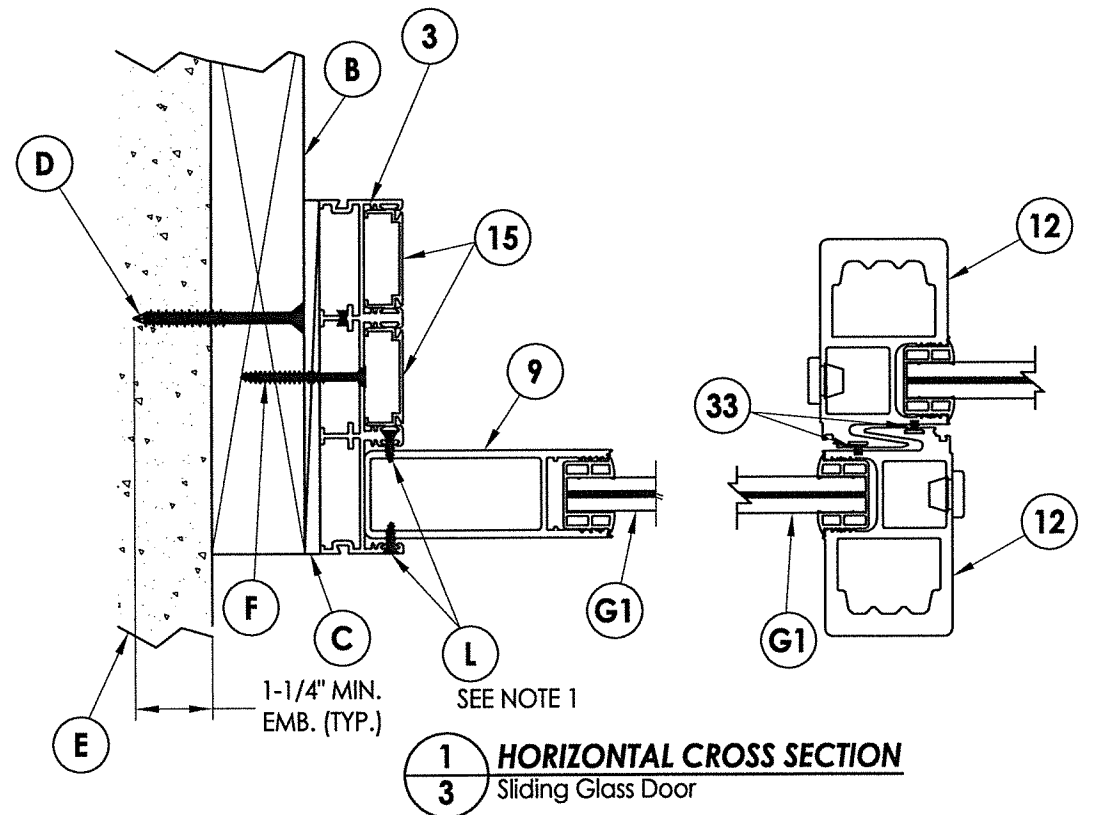
**2 HORIZONTAL CROSS SECTION**  
**3** Direct to masonry



**3 HORIZONTAL CROSS SECTION**  
**3** 2X Buck Construction

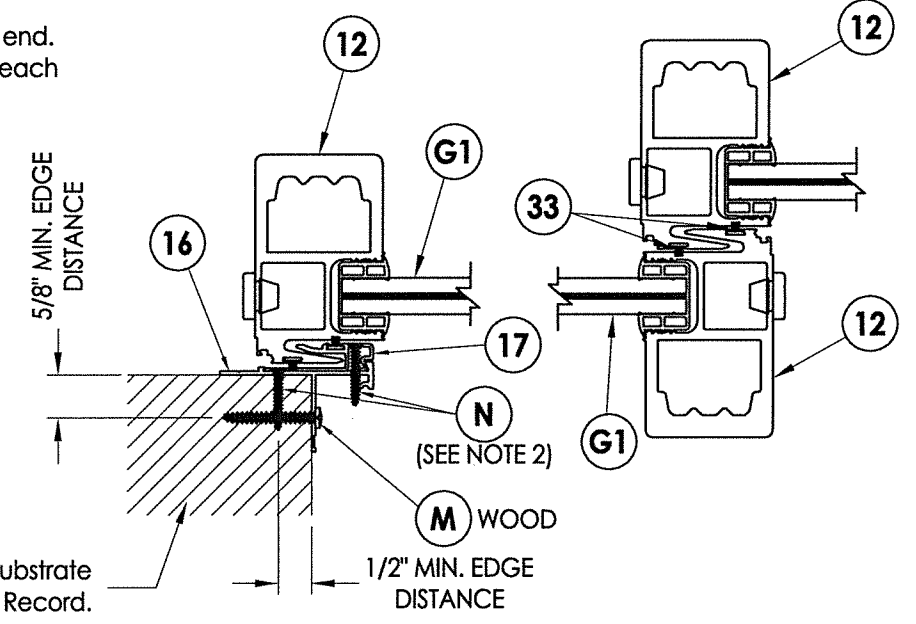


**4 HORIZONTAL CROSS SECTION**  
**3** 1X Buck Construction



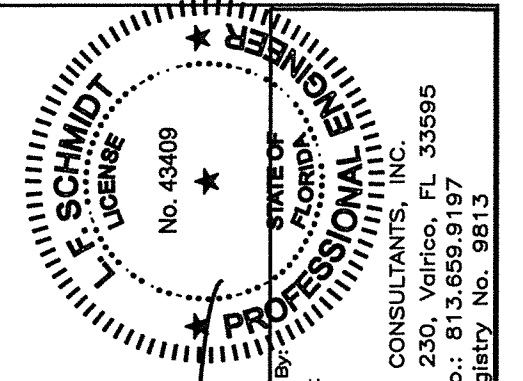
**1 HORIZONTAL CROSS SECTION**  
**3** Sliding Glass Door

NOTE:  
 1. Fixed panel screws located 39" from each end.  
 2. Interlock clip screws (Item #N) located at each nail-fin attachment screw (Item #M)



**5 HORIZONTAL CROSS SECTION**  
**3** Sliding Glass Pocket Door

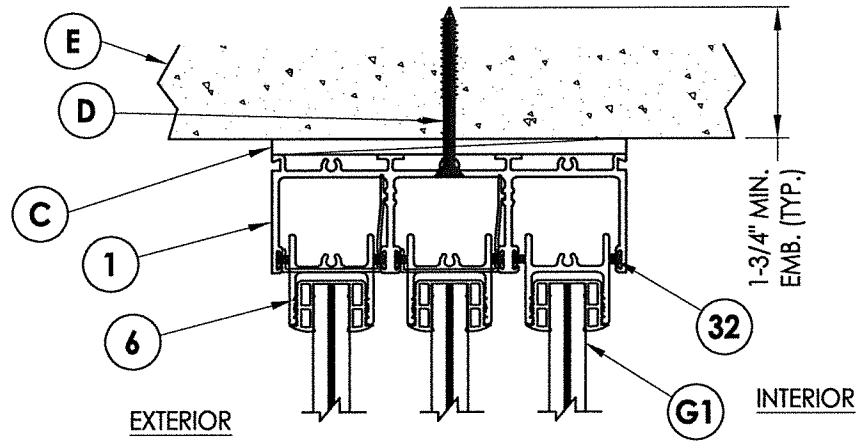
Wood Framing and connection to substrate to be design by Architect or Engineer of Record.



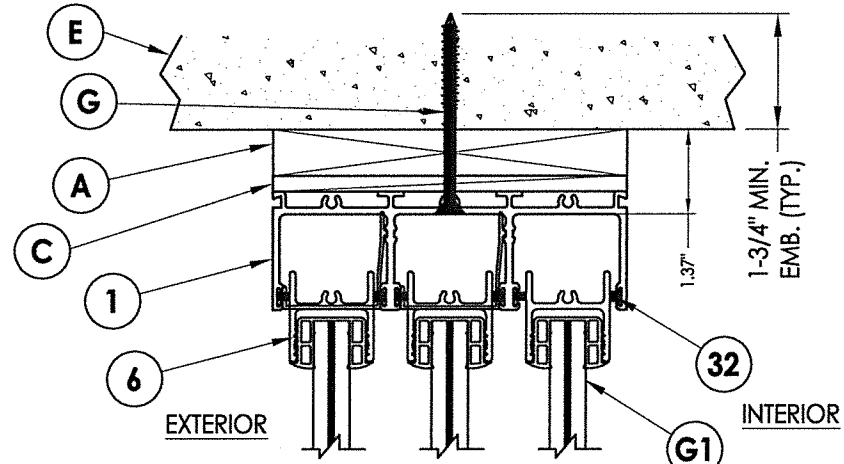
August 10, 2020  
 Documents Prepared By:  
 Lyndon F. Schmidt  
 P.E. No. 43409  
 R.W. BUILDING CONSULTANTS, INC.  
 P.O. Box 230, Valrico, FL 33595  
 Phone No.: 813.659.9197  
 FBPE Registry No. 9813

PRODUCT:	FLEETWOOD WINDOWS & DOORS	
PART OR ASSEMBLY:	HORIZONTAL CROSS SECTIONS	
NO.	DATE	REVISIONS
4	8/10/20	UPDATE TO 7th ED. (2020) FBC DAC
3	08/08/17	UPDATE TO 6TH ED. (2017) FBC LFS
2	8/06/15	CHANGE NAME JK
1	04/22/15	UPDATE TO 5TH ED. (2014) FBC JK
		BY

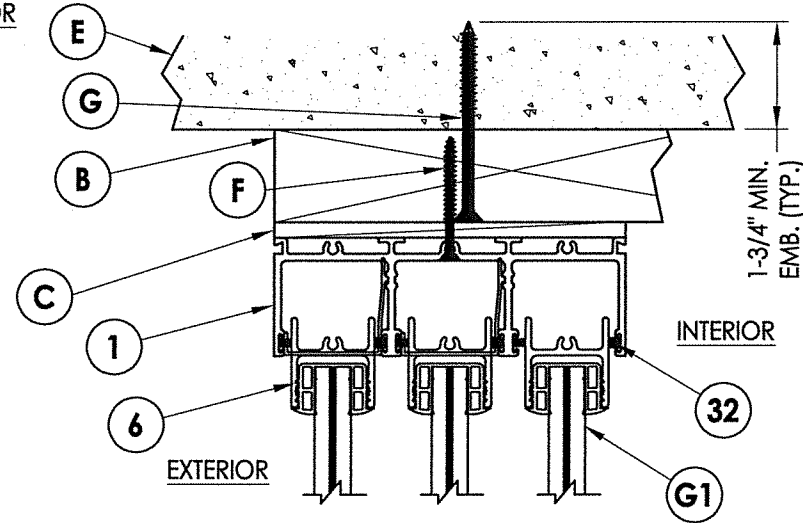
DATE: 3/10/14  
 SCALE: N.T.S.  
 DWG. BY: JK  
 CHK. BY: LFS  
 DRAWING NO.: FL-15560.6  
 SHEET 3 OF 9



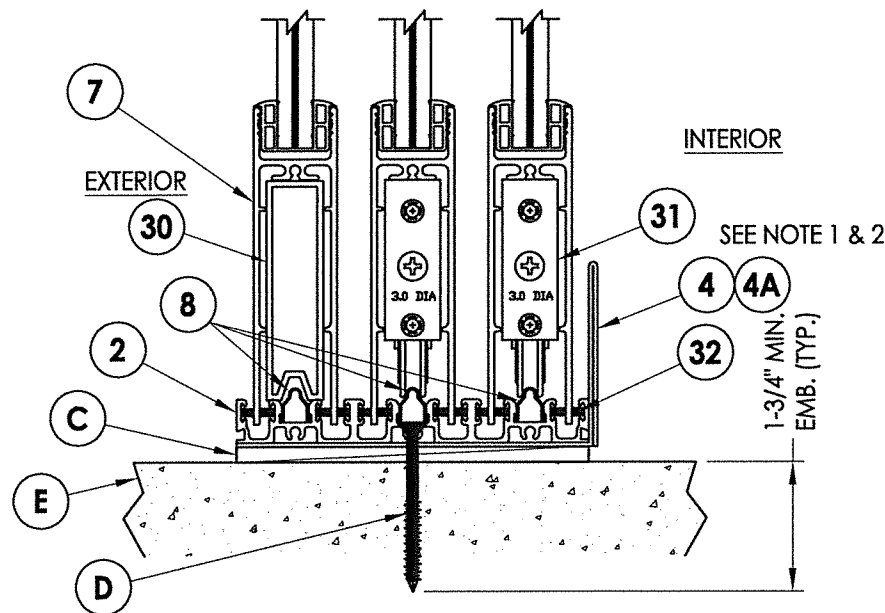
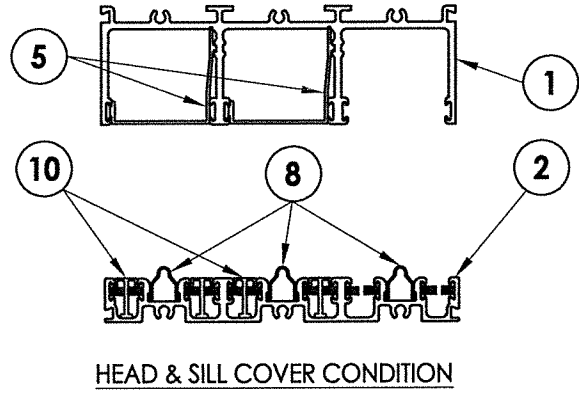
**1** VERTICAL CROSS SECTION  
**4** Direct to masonry



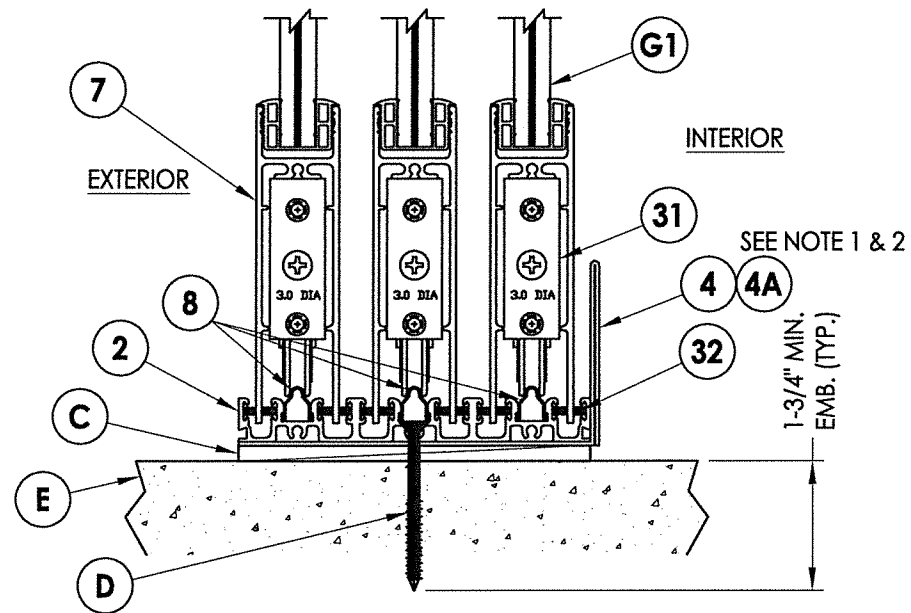
**2** VERTICAL CROSS SECTION  
**4** 1X Buck Construction



**3** VERTICAL CROSS SECTION  
**4** 2X Buck Construction

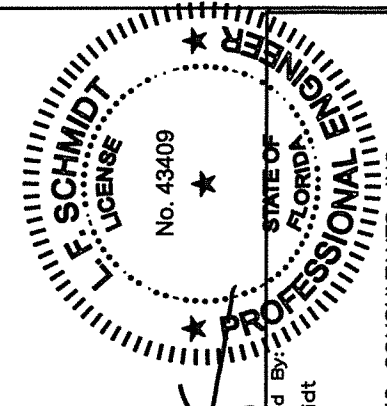


**4** VERTICAL CROSS SECTION  
**4** Direct to masonry Sliding Glass Door



**5** VERTICAL CROSS SECTION  
**4** Direct to masonry Sliding Glass Pocket Door

NOTE:  
1. A full-depth cut-out (1" wide x 3/16" tall) in track base is necessary to allow for water drainage (12" from each end and 24" o.c.).  
2. The 2" high sill pan is limited to a positive design pressure =< 40 PSF.



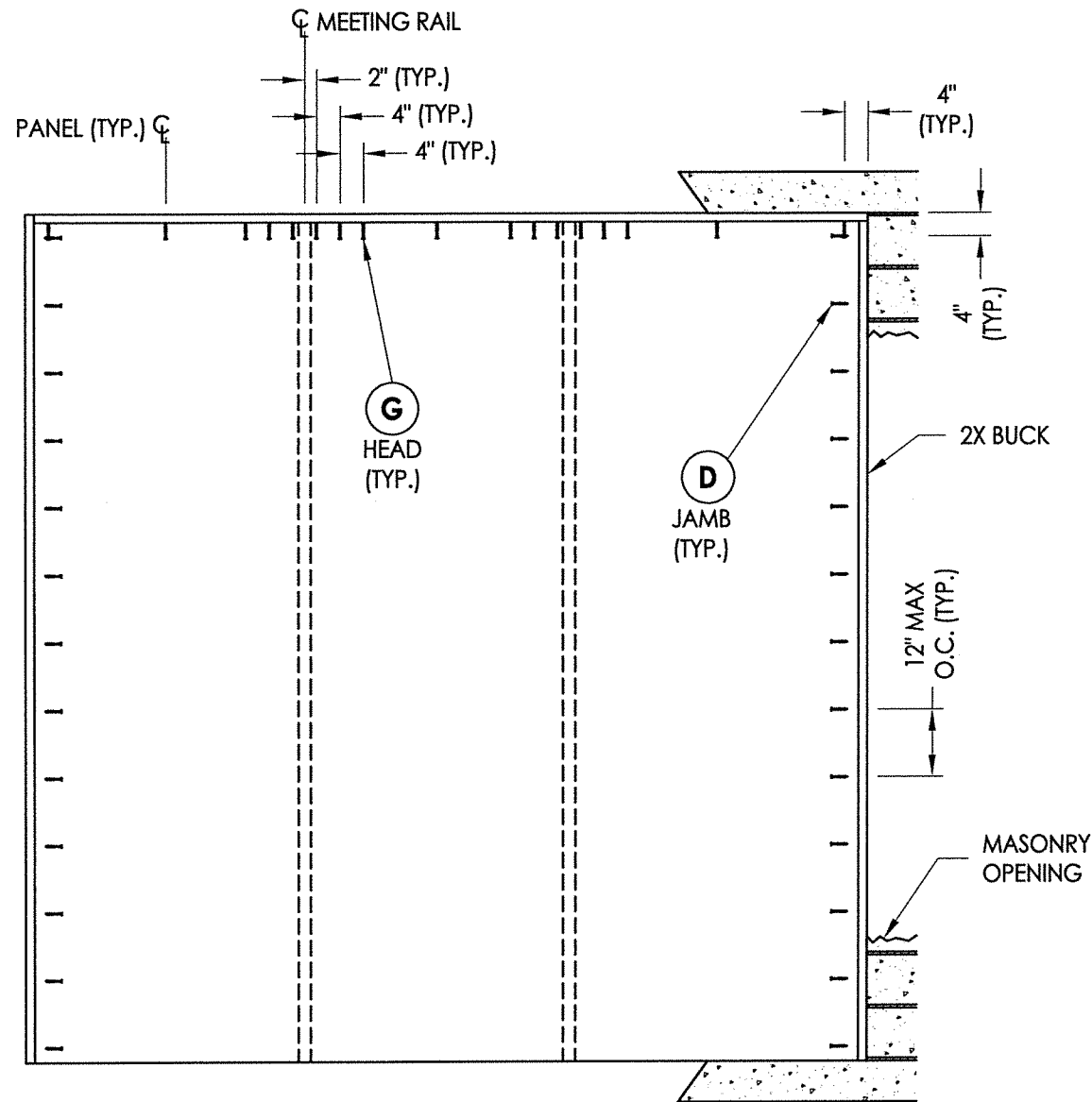
August 10, 2020  
Documents Prepared By:  
Lyndon F. Schmidt  
P.E. No. 43409

**RW**  
BUILDING CONSULTANTS, INC.  
P.O. Box 230, Vairico, FL 33595  
Phone No.: 813.659.9197  
FBPE Registry No. 9813

PRODUCT: FLEETWOOD WINDOWS & DOORS  
PART OR ASSEMBLY: VERTICAL CROSS SECTIONS

NO.	DATE	REVISIONS
4	8/10/20	UPDATE TO 7th ED. (2020) FBC
3	08/08/17	UPDATE TO 6TH ED. (2017) FBC
2	8/06/15	CHANGE NAME
1	04/22/15	UPDATE TO 5TH ED. (2014) FBC

DATE: 3/10/14  
SCALE: N.T.S.  
DWG. BY: JK  
CHK. BY: LFS  
DRAWING NO.: FL-15560.6  
SHEET 4 OF 9



**2X BUCK ANCHORING**  
Sliding Glass Door

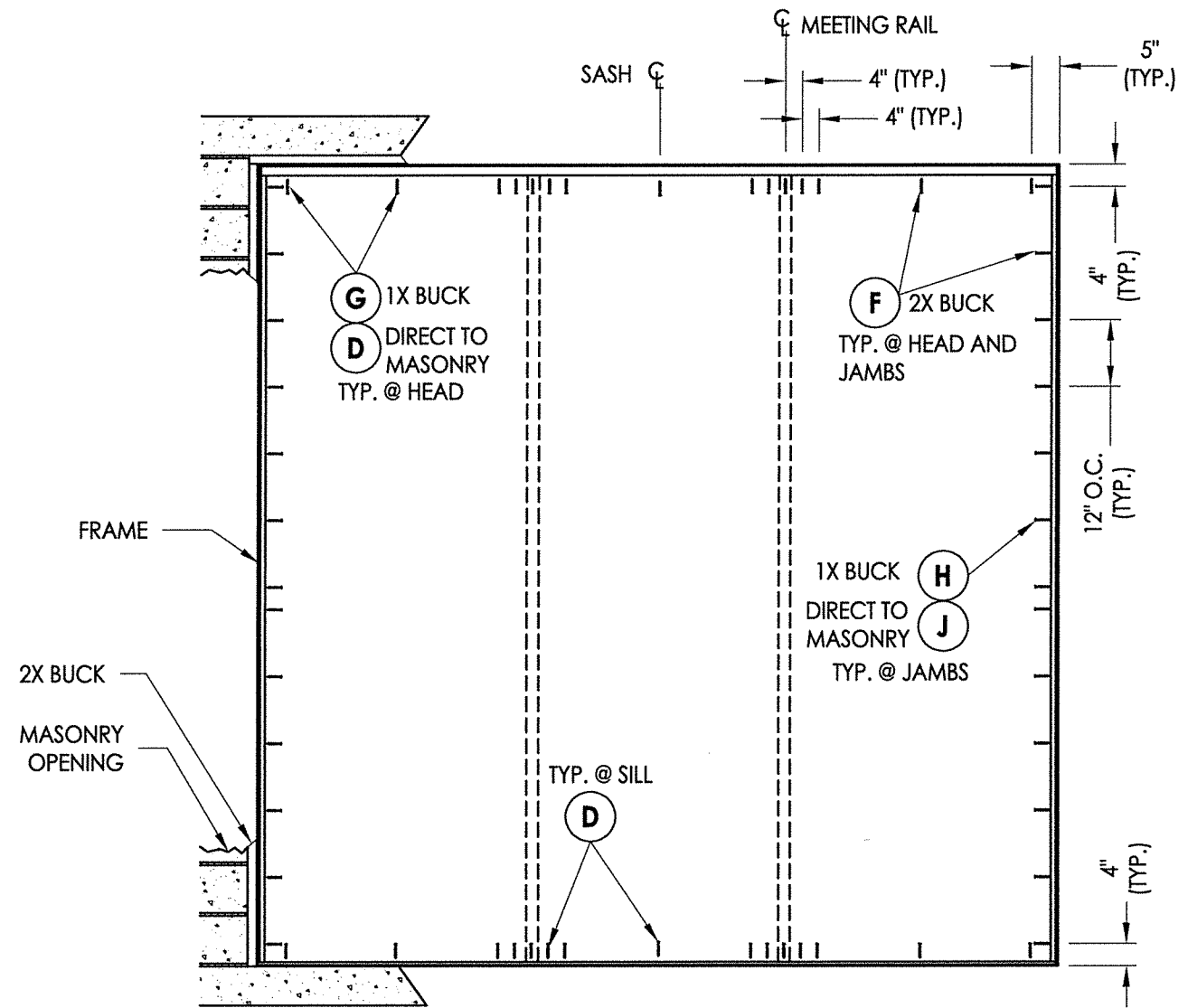
**CONCRETE ANCHOR NOTES:**

1. Concrete anchor locations at the corners may be adjusted to maintain the min. edge distance to mortar joints.
2. Concrete anchor locations noted as "MAX. ON CENTER" must be adjusted to maintain the min. edge distance to mortar joints, additional concrete anchors may be required to ensure the "MAX. ON CENTER" dimension are not exceeded.
3. Concrete anchor table:

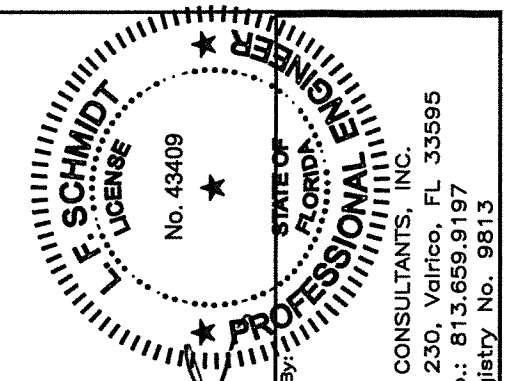
ANCHOR TYPE	ANCHOR SIZE	MIN. EMBEDMENT	MIN. CLEARANCE TO MASONRY EDGE	MIN. CLEARANCE TO ADJACENT ANCHOR
ITW TAPCON®	1/4"	1-1/4" (Jambs) 1-3/4" (Head/Sill)	2-1/2"	4"
DeWALT ULTRACON+®	1/4"	1-1/4" (Jambs) 1-3/4" (Head/Sill)	2-1/2"	4"

**WOOD SCREW INSTALLATION NOTES:**

1. Maintain a minimum 3/4" edge distance, 1" end distance, & 1" o.c. spacing of wood screws to prevent the splitting of wood.

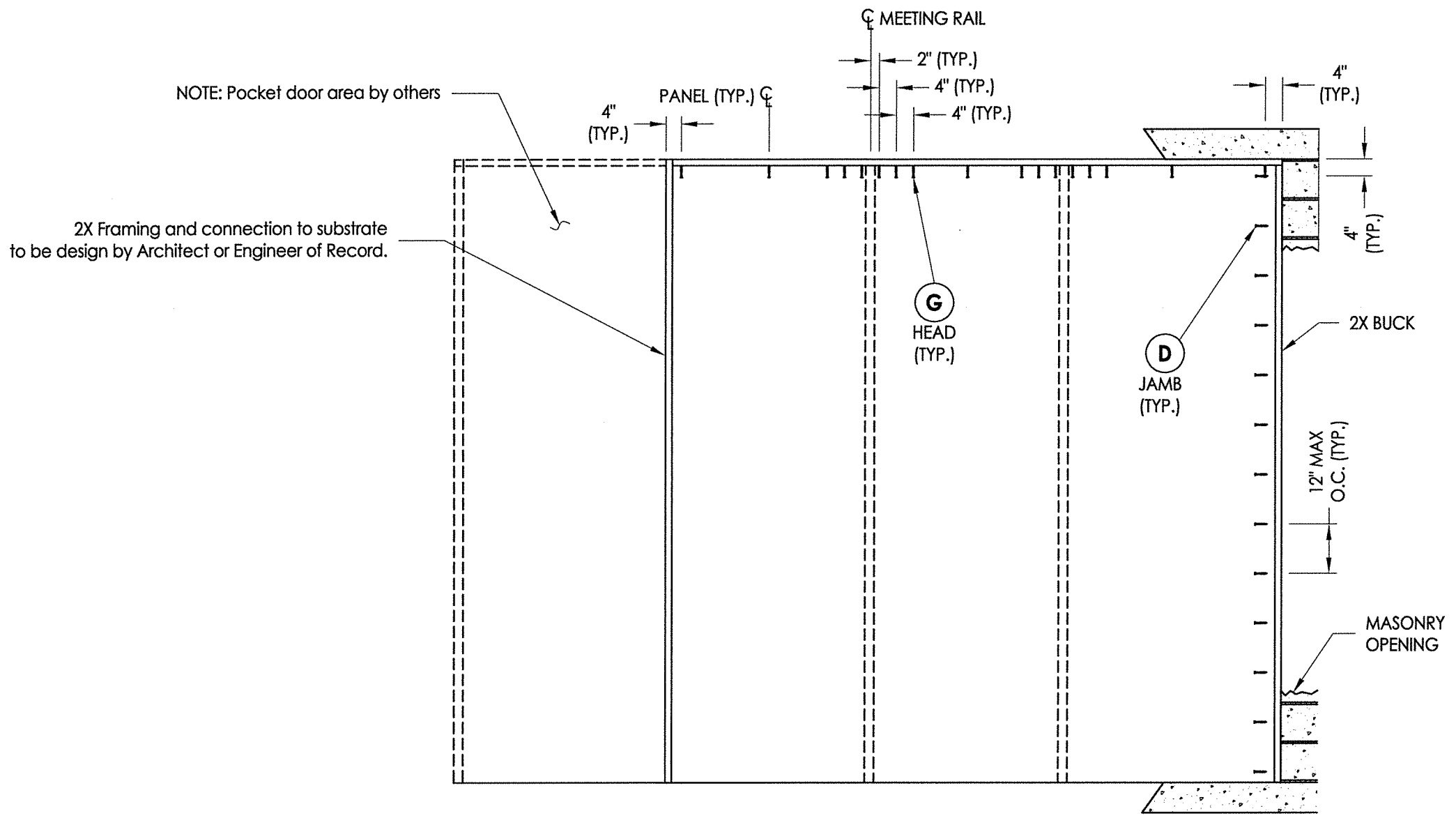


**FRAME ANCHORING**  
Sliding Glass Door



August 10, 2020  
 Documents Prepared By:  
 Lyndon F. Schmidt  
 P.E. No. 43409  
 R.W. BUILDING CONSULTANTS, INC.  
 P.O. Box 230, Valrico, FL 33595  
 Phone No.: 813.659.9197  
 FBPE Registry No. 9813

PRODUCT:		FLEETWOOD WINDOWS & DOORS			
PART OR ASSEMBLY:		BUCK AND FRAME ANCHORING			
NO.	DATE	BY	JK	JK	BY
4	8/10/20	UPDATE TO 7TH ED. (2020)	FBC	DAC	REVISIONS
3	08/08/17	UPDATE TO 6TH ED. (2017)	FBC	LFS	
2	8/06/15	CHANGE NAME		JK	
1	04/22/15	UPDATE TO 5TH ED. (2014)	FBC	JK	
DATE:		3/10/14			
SCALE:		N.T.S.			
DWG. BY:		JK			
CHK. BY:		LFS			
DRAWING NO.:		FL-15560.6			
SHEET		5 OF 9			

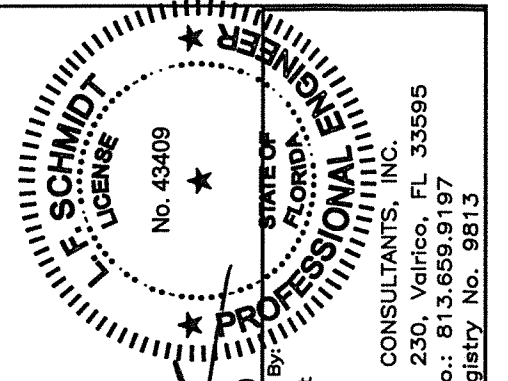


**2X BUCK ANCHORING**  
Sliding Glass Pocket Door

CONCRETE ANCHOR NOTES:

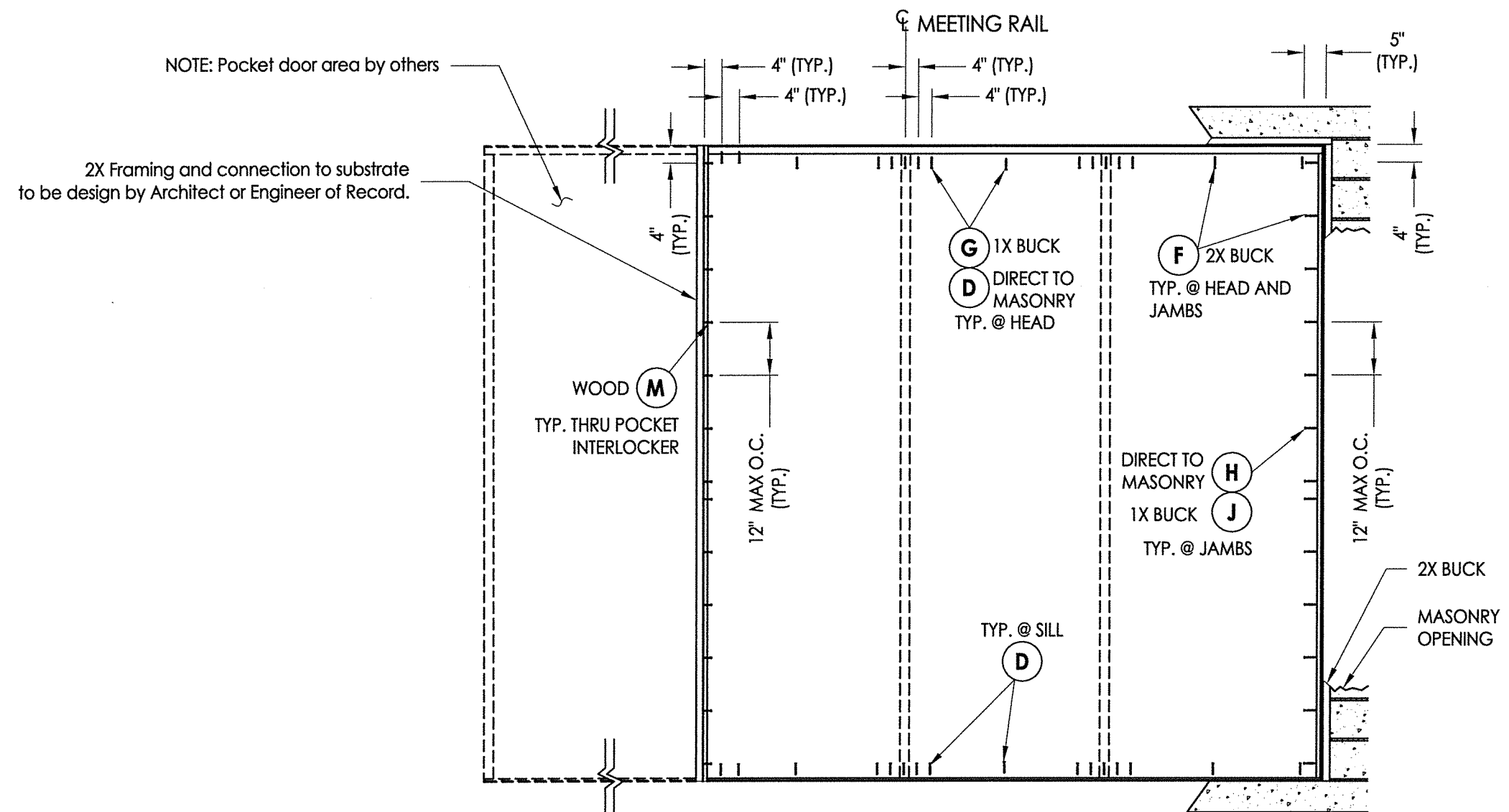
1. Concrete anchor locations at the corners may be adjusted to maintain the min. edge distance to mortar joints.
2. Concrete anchor locations noted as "MAX. ON CENTER" must be adjusted to maintain the min. edge distance to mortar joints, additional concrete anchors may be required to ensure the "MAX. ON CENTER" dimension are not exceeded.
3. Concrete anchor table:

ANCHOR TYPE	ANCHOR SIZE	MIN. EMBEDMENT	MIN. CLEARANCE TO MASONRY EDGE	MIN. CLEARANCE TO ADJACENT ANCHOR
ITW TAPCON®	1/4"	1-1/4" (Jambs) 1-3/4" (Head/Sill)	2-1/2"	4"
DeWALT ULTRACON+®	1/4"	1-1/4" (Jambs) 1-3/4" (Head/Sill)	2-1/2"	4"



August 10, 2020  
 Documents Prepared By:  
 Lyndon F. Schmidt  
 P.E. No. 43409  
 R.W. BUILDING CONSULTANTS, INC.  
 P.O. Box 230, Valrico, FL 33595  
 Phone No.: 813.659.9197  
 FBPE Registry No. 9813

PRODUCT:		FLEETWOOD WINDOWS & DOORS	
PART OR ASSEMBLY:		BUCK ANCHORING	
NO.	DATE	BY	REVISIONS
4	8/10/20	DAC	UPDATE TO 7TH ED. (2020) FBC
3	08/08/17	LFS	UPDATE TO 6TH ED. (2017) FBC
2	8/06/15	JK	CHANGE NAME
1	04/22/15	JK	UPDATE TO 5TH ED. (2014) FBC
DATE: 3/10/14		SCALE: N.T.S.	
DWG. BY: JK		CHK. BY: LFS	
DRAWING NO.: FL-15560.6		SHEET 6 OF 9	



**FRAME ANCHORING**  
Sliding Glass Pocket Door

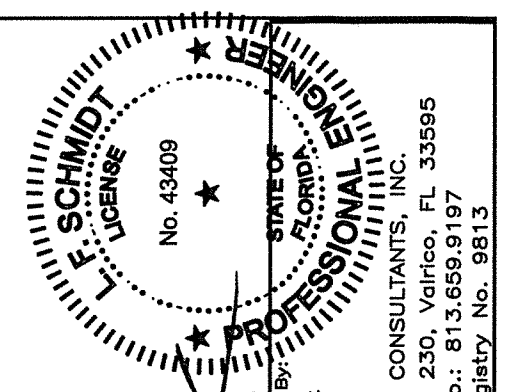
CONCRETE ANCHOR NOTES:

1. Concrete anchor locations at the corners may be adjusted to maintain the min. edge distance to mortar joints.
2. Concrete anchor locations noted as "MAX. ON CENTER" must be adjusted to maintain the min. edge distance to mortar joints, additional concrete anchors may be required to ensure the "MAX. ON CENTER" dimension are not exceeded.
3. Concrete anchor table:

ANCHOR TYPE	ANCHOR SIZE	MIN. EMBEDMENT	MIN. CLEARANCE TO MASONRY EDGE	MIN. CLEARANCE TO ADJACENT ANCHOR
ITW TAPCON®	1/4"	1-1/4" (Jambs) 1-3/4" (Head/Sill)	2-1/2"	4"
DeWALT ULTRACON+®	1/4"	1-1/4" (Jambs) 1-3/4" (Head/Sill)	2-1/2"	4"

WOOD SCREW INSTALLATION NOTES:

1. Maintain a minimum 3/4" edge distance, 1" end distance, & 1" o.c. spacing of wood screws to prevent the splitting of wood.

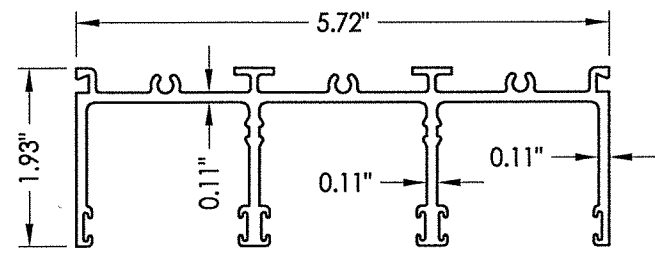


August 10, 2020  
 Documents Prepared By:  
 Lyndon F. Schmidt  
 P.E. No. 43409

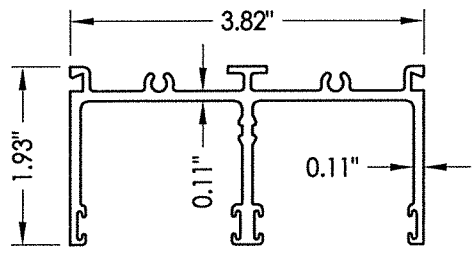
**RW**  
 BUILDING CONSULTANTS, INC.  
 P.O. Box 230, Valrico, FL 33595  
 Phone No.: 813.659.9197  
 FBPE Registry No. 9813

PRODUCT:		FLEETWOOD WINDOWS & DOORS	
PART OR ASSEMBLY:		FRAME ANCHORING	
NO.	DATE	BY	REVISIONS
4	8/10/20	DAC	UPDATE TO 7TH ED. (2020) FBC
3	08/08/17	LFS	UPDATE TO 6TH ED. (2017) FBC
2	8/06/15	JK	CHANGE NAME
1	04/22/15	JK	UPDATE TO 5TH ED. (2014) FBC
DATE: 3/10/14			
SCALE: N.T.S.			
DWG. BY: JK			
CHK. BY: LFS			
DRAWING NO.: FL-15560.6			
SHEET 7 OF 9			

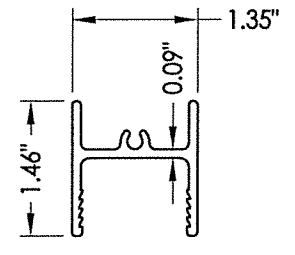
\\dc01\wbc\clients\Fleetwood PERMANENTVA - Florida Product Approvals\FL-15560 Sliding Patio Doors\C - Drawings\FL 15560 (2020)\FL-15560.6-7.dwg



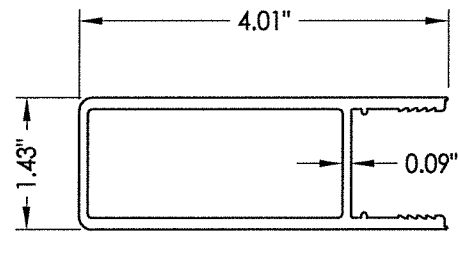
**1 HEAD TRACK**  
3 Runs



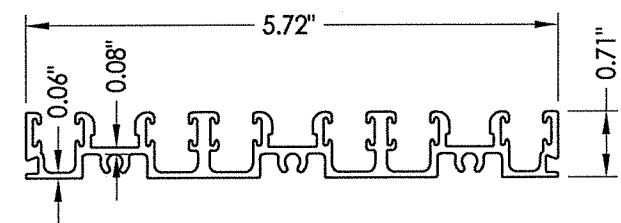
**1 HEAD TRACK**  
2 Runs



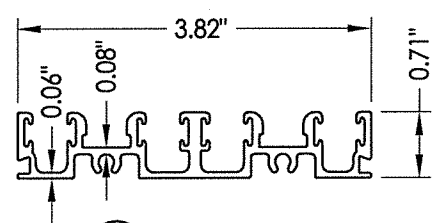
**6 TOP RAIL**



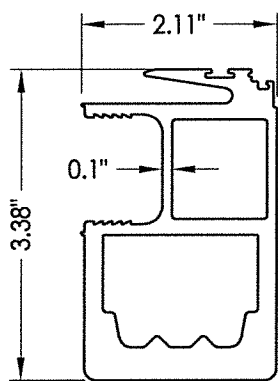
**9 STILE**



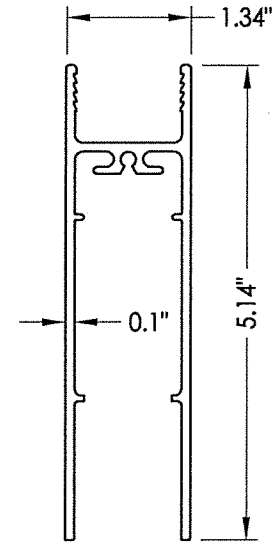
**2 SILL TRACK**  
3 Runs



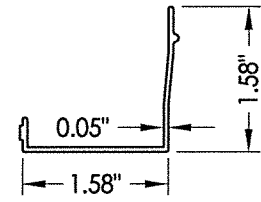
**2 SILL TRACK**  
2 Runs



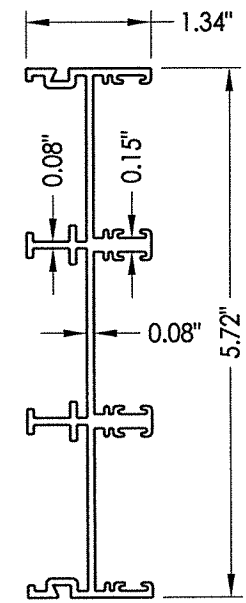
**7 BOTTOM RAIL**



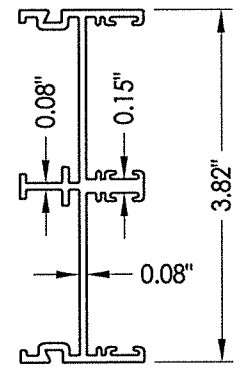
**12 INTERLOCK STILE**  
High Performance



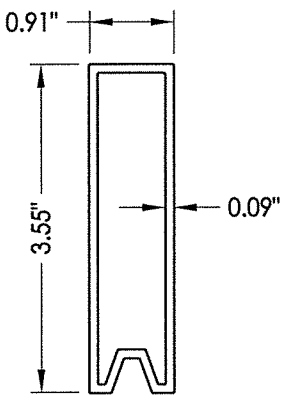
**5 HEAD CHANNEL FILLER**



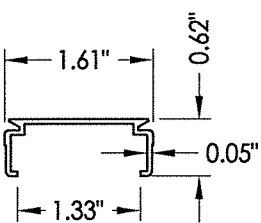
**3 JAMB TRACK**  
3 Runs



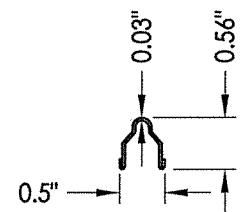
**3 JAMB TRACK**  
2 Runs



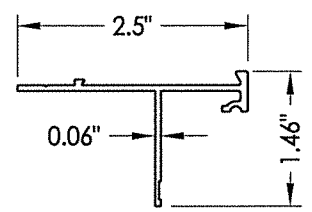
**30 PANEL SETTING BLOCK**



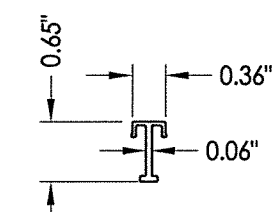
**15 JAMB CHANNEL FILLER**



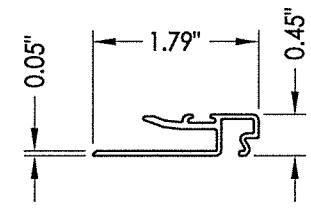
**8 TRACK**



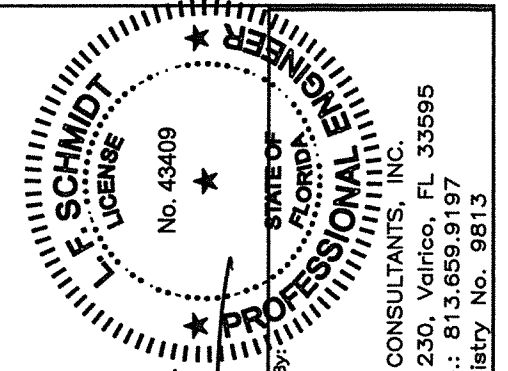
**16 POST INTERLOCKER NAIL-FIN**



**10 SILL CHANNEL FILLER**



**17 POST INTERLOCKER CLIP**



*LFS*

August 10, 2020  
Documents Prepared By:  
Lyndon F. Schmidt  
P.E. No. 43409

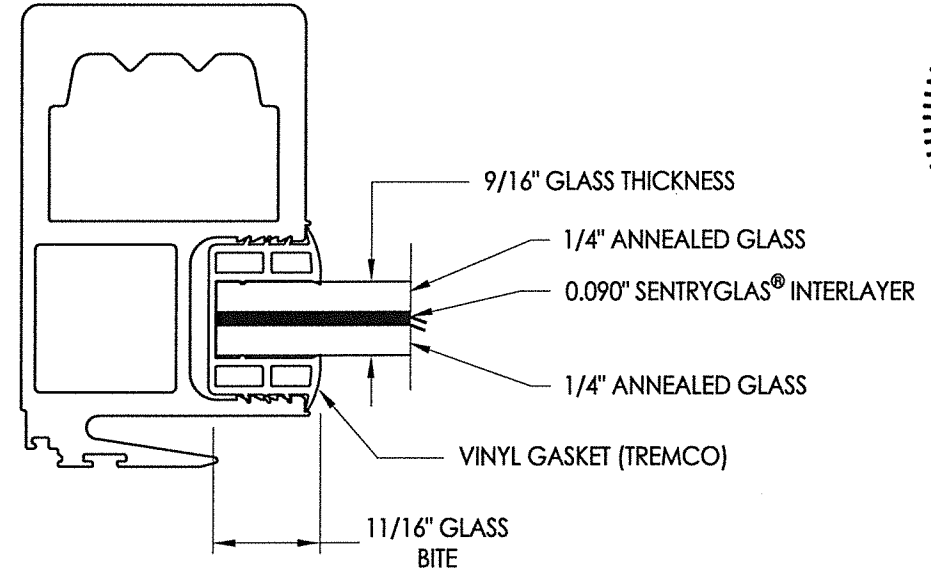
**RW** BUILDING CONSULTANTS, INC.  
P.O. Box 230, Vairico, FL 33595  
Phone No.: 813.659.9197  
FBPE Registry No. 9813

PRODUCT:		FLEETWOOD WINDOWS & DOORS			
PART OR ASSEMBLY:		COMPONENTS			
NO.	DATE	REVISIONS			
4	8/10/20	UPDATE TO 7th ED. (2020)	FBC	DAC	
3	08/08/17	UPDATE TO 6TH ED. (2017)	FBC	LFS	
2	8/06/15	CHANGE NAME		JK	
1	04/22/15	UPDATE TO 5TH ED. (2014)	FBC	JK	
				BY	
DATE:		3/10/14			
SCALE:		N.T.S.			
DWG. BY:		JK			
CHK. BY:		LFS			
DRAWING NO.:		FL-15560.6			
SHEET		8 OF 9			



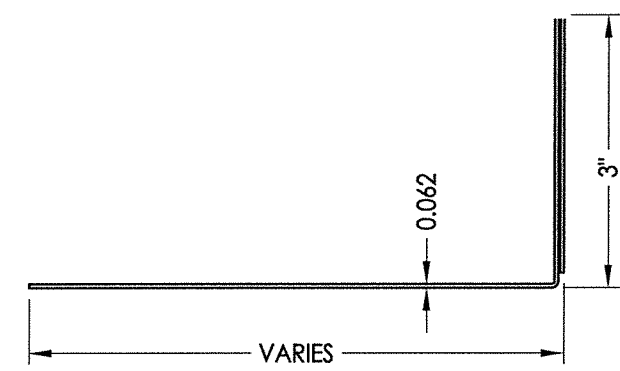
**BILL OF MATERIALS**

ITEM #	DESCRIPTION	MATERIAL
A	1X BUCK SG >= 0.55	WOOD
B	2X BUCK SG >= 0.55	WOOD
C	1/4" MAX. SHIM SPACE	-
D	1/4" X 2-3/4" DeWALT OR ITW PFH CONCRETE SCREW	STEEL
E	MASONRY - 3,000 PSI MIN. CONCRETE CONFORMING TO ACI 301 OR HOLLOW BLOCK CONFORMING TO ASTM C90	CONCRETE
F	#10 X 2" PFH SMS (1" MIN. EMBEDMENT)	STEEL
G	1/4" X 2-3/4" DeWALT OR ITW PFH CONCRETE SCREW	STEEL
H	1/4" X 2-1/4" DeWALT OR ITW PFH CONCRETE SCREW	STEEL
J	1/4" X 3-1/4" DeWALT OR ITW PFH CONCRETE SCREW	STEEL
M	#10 X 1-1/2" PPH SMS (1-3/8" MIN. EMBEDMENT)	STEEL
N	#10 X 1" PFH SMS (7/8" MIN. EMBEDMENT)	STEEL
1	HEAD TRACK (3 RUNS)	6063-T6 ALUM
2	SILL TRACK (3 RUNS)	6063-T6 ALUM
3	JAMB TRACK (3 RUNS)	6063-T6 ALUM
4	SILL PAN (3")	5052 -ALUM
4A	SILL PAN (2")	5052 -ALUM
5	HEAD CHANNEL FILLER	6063-T6 ALUM
6	TOP RAIL	6063-T6 ALUM
7	BOTTOM RAIL	6063-T6 ALUM
8	TRACK	S.S.
9	STILE	6063-T6 ALUM
10	SILL CHANNEL FILLER	6063-T6 ALUM
12	HIGH PERFORMANCE INTERLOCK STILE	6063-T6 ALUM
15	JAMB CHANNEL FILLER	6063-T6 ALUM
16	POST INTERLOCKER NAIL-FIN	6063-T6 ALUM
17	POST INTERLOCKER CLIP	6063-T6 ALUM
25	LATCH ASSY.(JAMB)	-
26	STRIKE PLATE ASSY.(JAMB)	-
27	#8 X 3/4" PPH SMS	STEEL
30	PANEL SETTING BLOCK	6063-T6 ALUM
31	MAMMOTH ROLLER ASSEMBLY	-
32	CENTER-FIN WEATHERSEAL .290 HIGH PILE (AMESBURY 43629-270)	-
33	HEAVY DENSITY WEATHERSEAL .300 HIGH PILE (AMESBURY 413330-270)	-

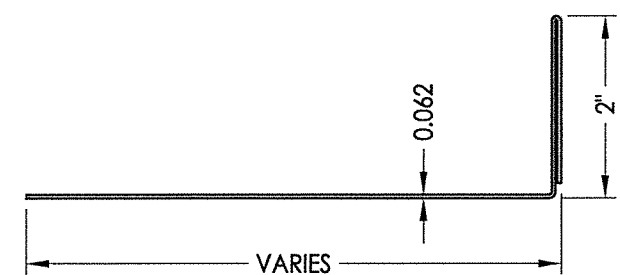


**G1 GLAZING DETAIL**

NOTE: GLAZING > 36" WIDE REQUIRES AT LEAST TWO (2) SETTING BLOCKS CONFORMING TO FBC SECTION 2411.3.3.1.



**4 3" SILL PAN**



**4A 2" SILL PAN**

August 10, 2020  
 Documents Prepared By:  
 Lyndon F. Schmidt  
 P.E. No. 43409

**R.W.**  
 BUILDING CONSULTANTS, INC.  
 P.O. Box 230, Valrico, FL 33595  
 Phone No.: 813.659.9197  
 FBPE Registry No. 9813

PRODUCT:		FLEETWOOD WINDOWS & DOORS	
PART OR ASSEMBLY:		BILL OF MATERIALS, GLAZING DETAILS & COMPONENTS	
NO.	DATE	BY	REVISIONS
4	8/10/20	DAC	UPDATE TO 7th ED. (2020) FBC
3	08/08/17	LFS	UPDATE TO 6TH ED. (2017) FBC
2	8/06/15	JK	CHANGE NAME
1	04/22/15	JK	UPDATE TO 5TH ED. (2014) FBC

DATE: 3/10/14  
 SCALE: N.T.S.  
 DWG. BY: JK  
 CHK. BY: LFS  
 DRAWING NO.: FL-15560.6  
 SHEET 9 of 9