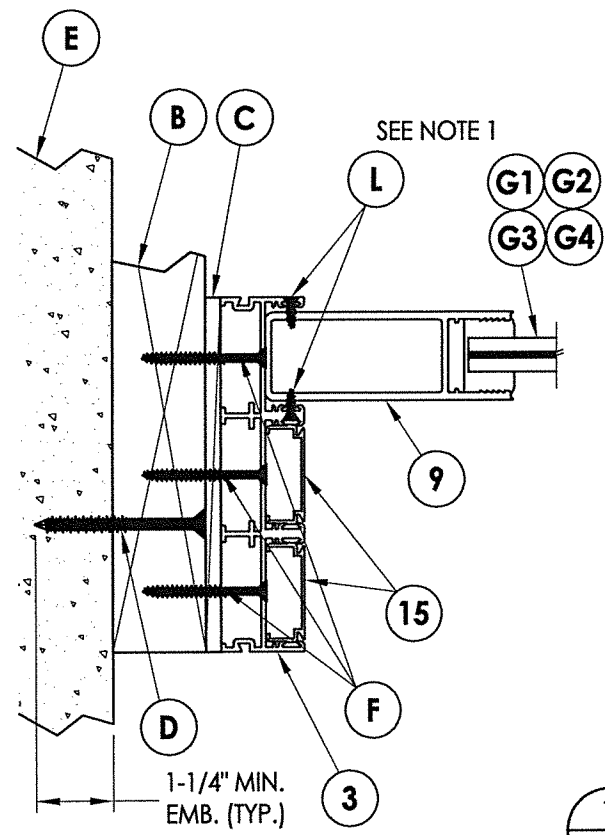
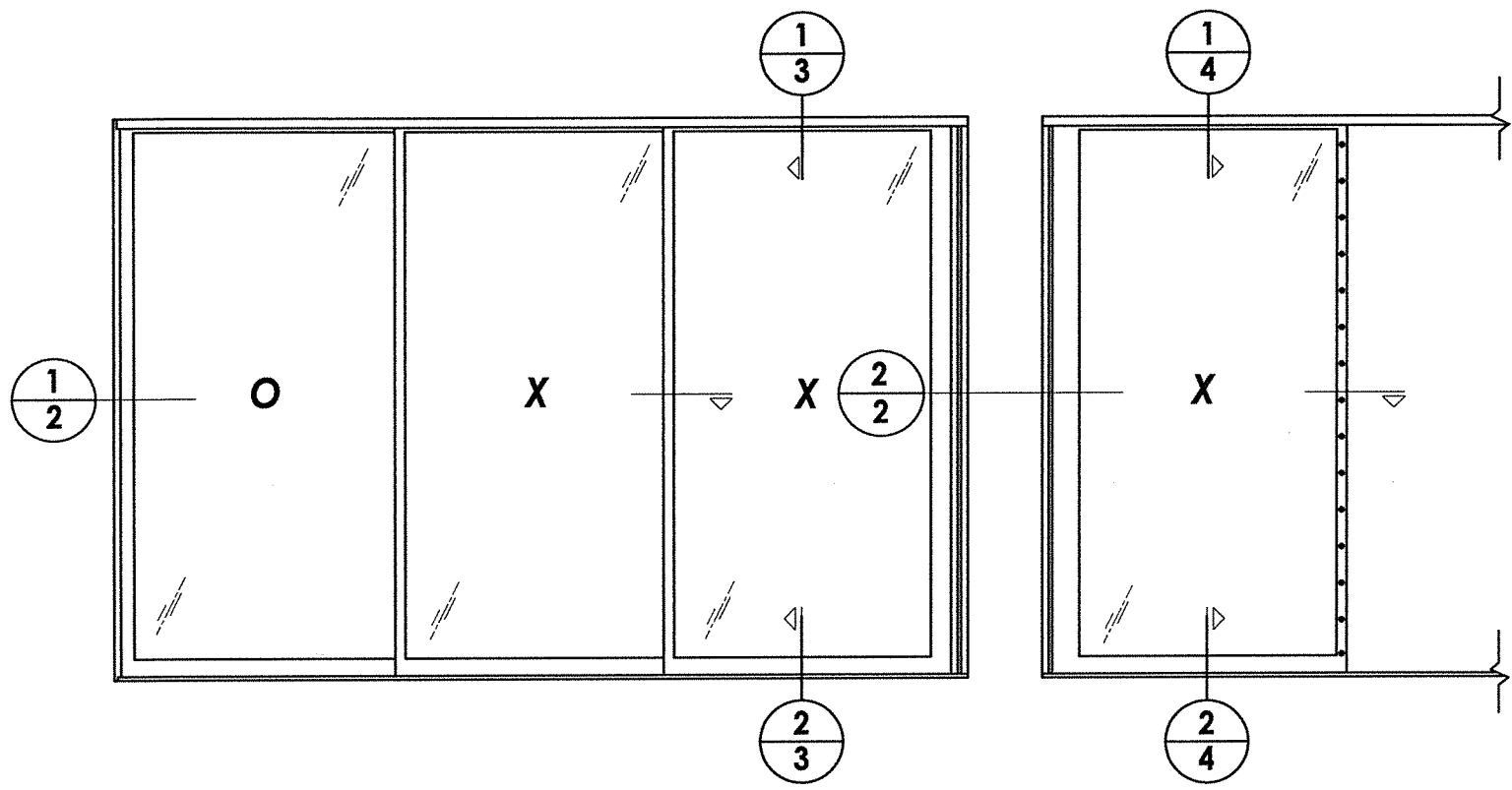
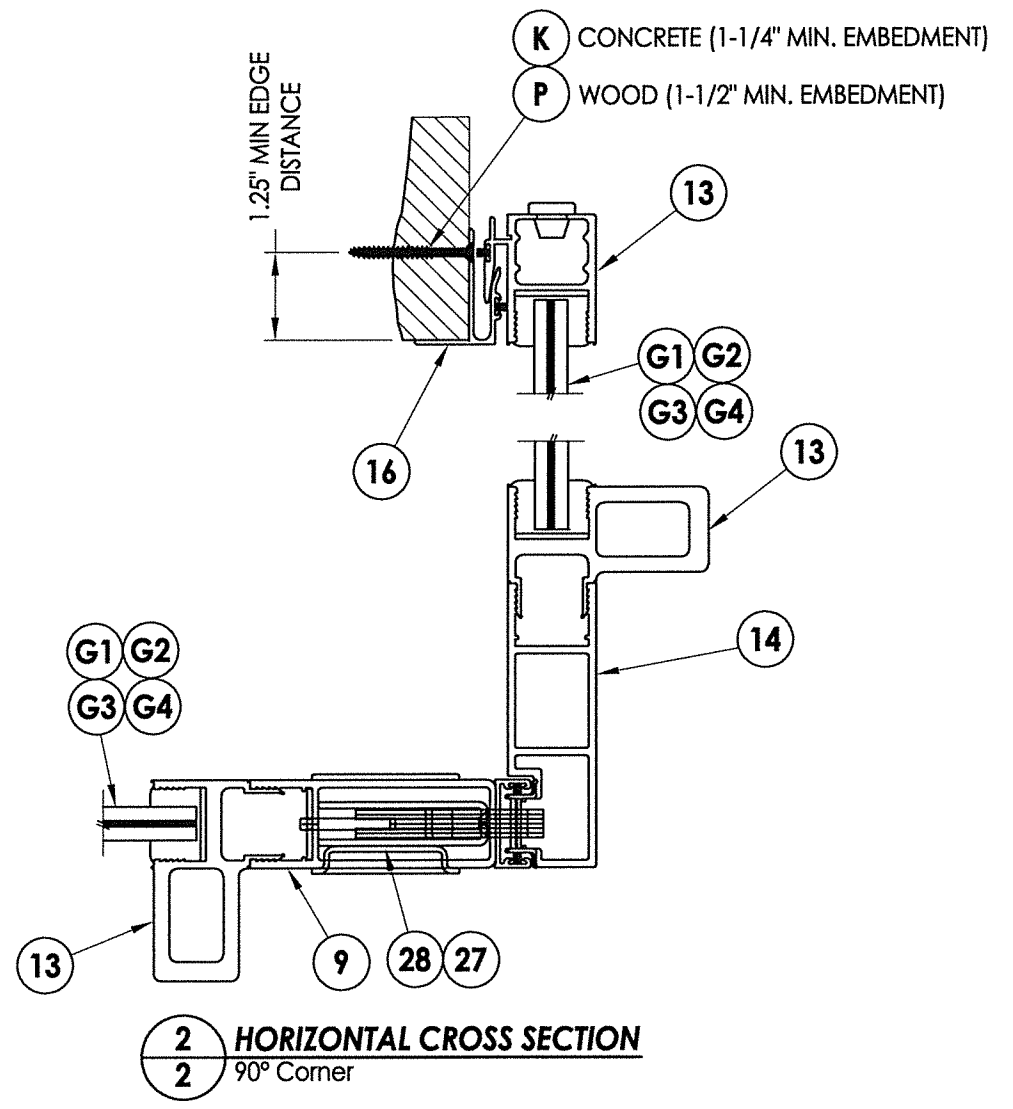
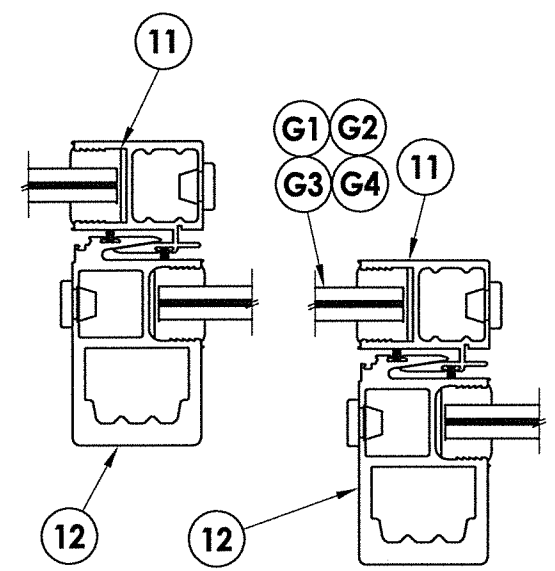


\\dc01\pwrba\clients\Fleetwood PERMANENTVA - Florida Product Approvals\EL-15560 Sliding Patio Doors\C - Drawings\EL-15560.1-5.dwg

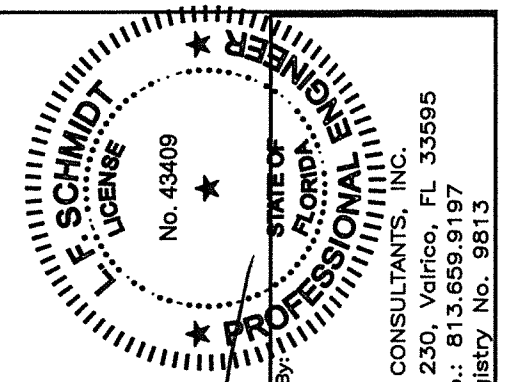


1 HORIZONTAL CROSS SECTION
2 2X Buck Construction



2 HORIZONTAL CROSS SECTION
2 90° Corner

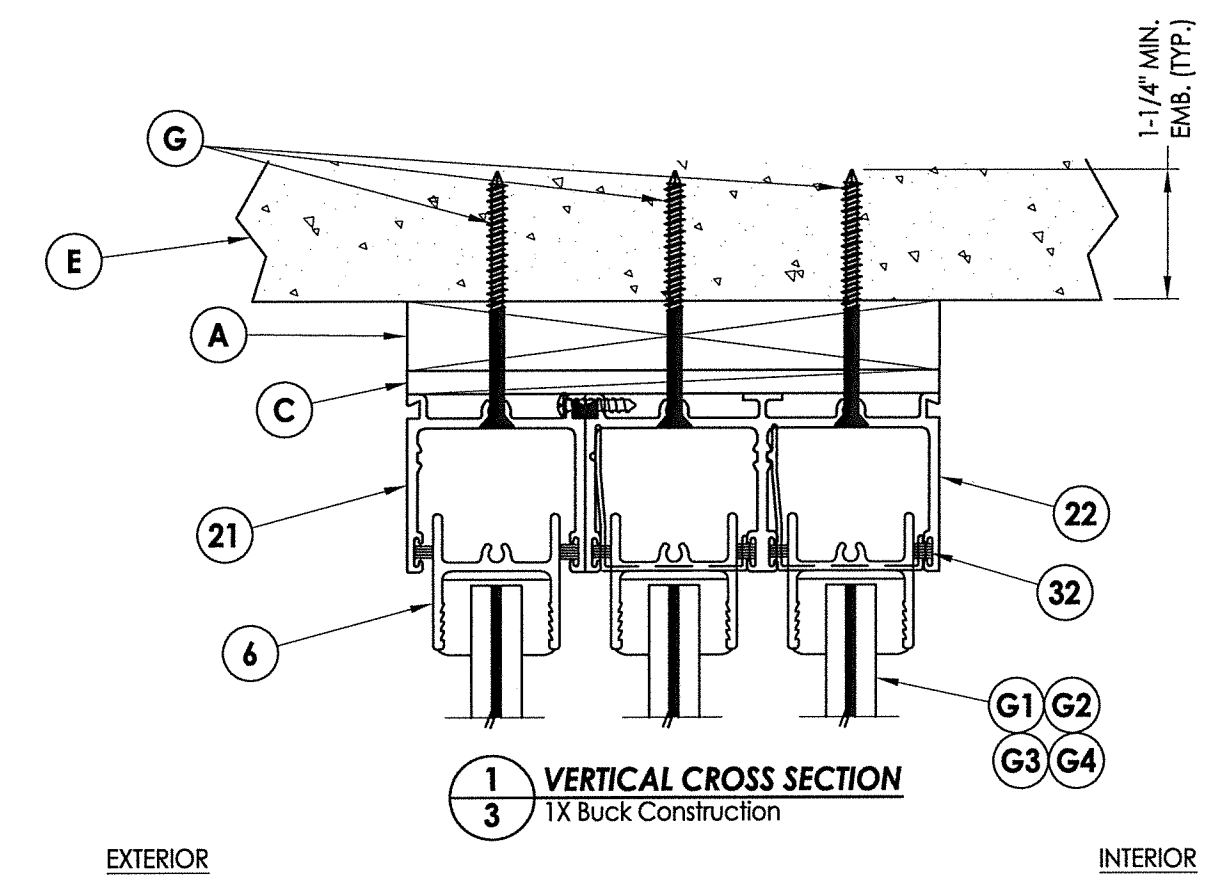
NOTE:
 1. Fixed panel screws located 39" from each end.



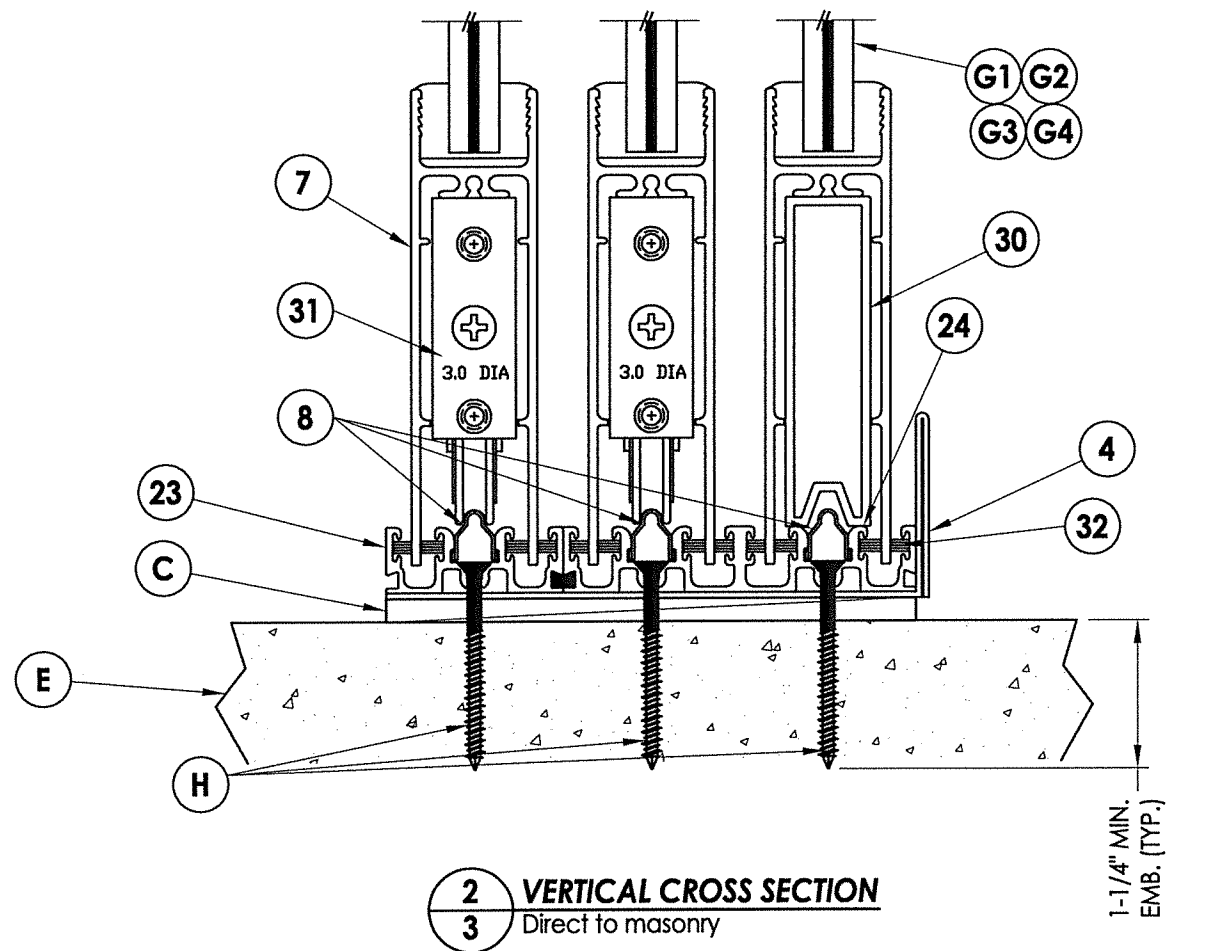
August 10, 2020
 Documents Prepared By:
 Lyndon F. Schmidt
 P.E. No. 43409
LF
 R.W.
 BUILDING CONSULTANTS, INC.
 P.O. Box 230, Valrico, FL 33595
 Phone No.: 813.659.9197
 FBPE Registry No. 9813

PRODUCT:		FLEETWOOD WINDOWS & DOORS	
PART OR ASSEMBLY:		HORIZONTAL CROSS SECTIONS	
5	8/10/20	UPDATE TO 7th ED. (2020)	FBC DAC
4	08/08/17	UPDATE TO 6th ED. (2017)	FBC LFS
3	8/06/15	CLARIFY MAX PANEL SIZE, REVISE	JK
2	04/22/15	G3 GLAZING & CHANGE NAME	JK
1	10/30/12	UPDATE TO 5th ED. (2014)	JK
		ADD PANEL SIZE	BY
NO.	DATE		REVISIONS
DATE: 04/30/12			
SCALE: N.T.S.			
DWG. BY: JK			
CHK. BY: LFS			
DRAWING NO.: FL-15560.4			
SHEET 2 OF 8			

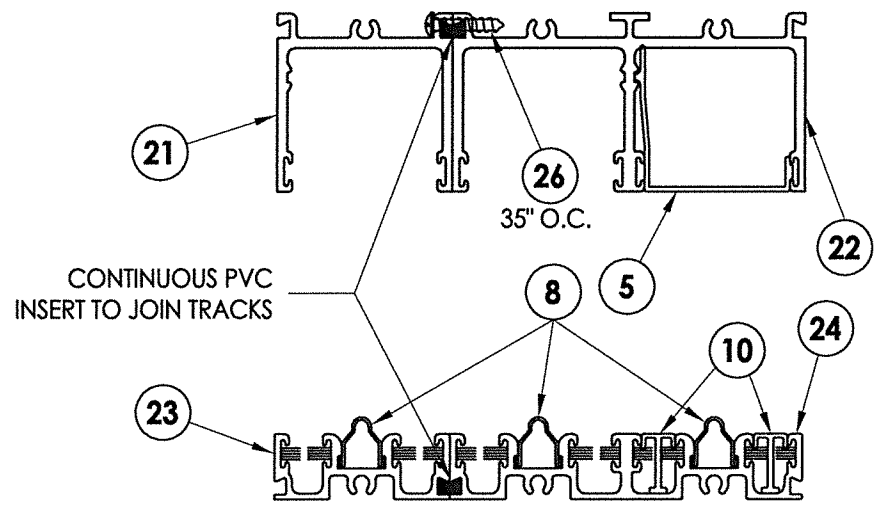
\\dc01\pwb\clients\Fleetwood PERMANENTVA - Florida Product Approvals\FL-15560 Sliding Patio Doors\C - Drawings\FL 15560 (2020)\FL-15560.1-.5.dwg



1 VERTICAL CROSS SECTION
3 TX Buck Construction



2 VERTICAL CROSS SECTION
3 Direct to masonry



HEAD & SILL COVER CONDITION

NOTE:
1. A full-depth cut-out (1" wide x 3/16" tall) in track base is necessary to allow for water drainage (12" from each end and 24" o.c.).

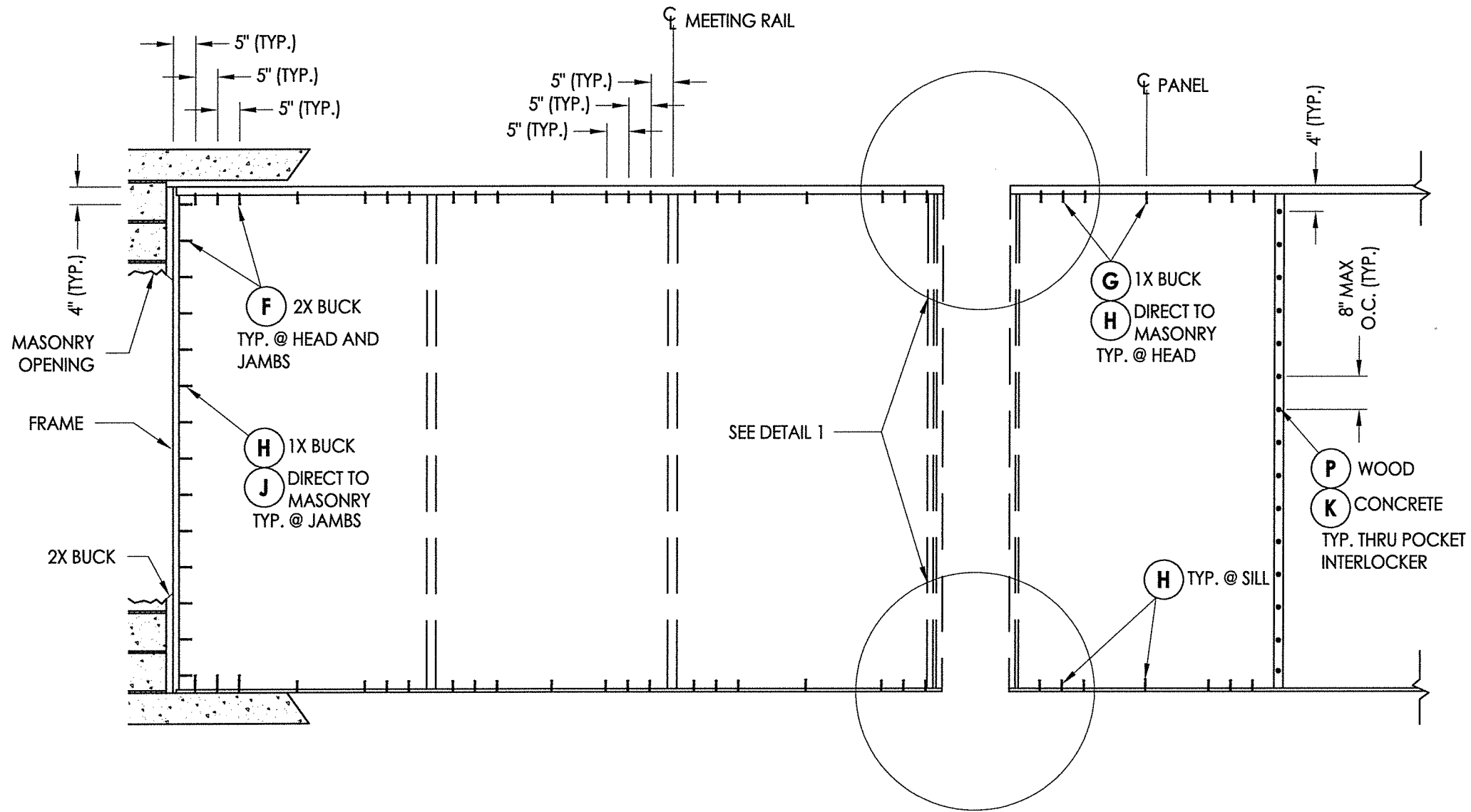
August 10, 2020
Documents Prepared By:
Lyndon F. Schmidt
P.E. No. 43409

FLORIDA PROFESSIONAL ENGINEER
L. E. SCHMIDT LICENSE No. 43409

R.W. BUILDING CONSULTANTS, INC.
P.O. Box 230, Valrico, FL 33595
Phone No.: 813.659.9197
FBPE Registry No. 9813

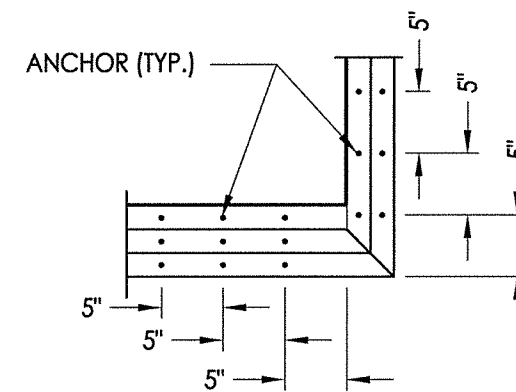
PRODUCT:		FLEETWOOD WINDOWS & DOORS	
PART OR ASSEMBLY:		VERTICAL CROSS SECTIONS	
DATE:	04/30/12	REVISIONS	
SCALE:	N.T.S.		
DWG. BY:	JK		
CHK. BY:	LFS		
DRAWING NO.:	FL-15560.4		
SHEET	3	OF	8

\\dc01\pwb\clients\Fleetwood PERMANENTA - Florida Product Approvals\FL-15560 Sliding Patio Doors\C - Drawings\FL-15560.1-5.dwg



FRAME ANCHORING

(NOTE: 1 ANCHOR REQUIRED PER TRACK @ EACH LOCATION)



DETAIL 1

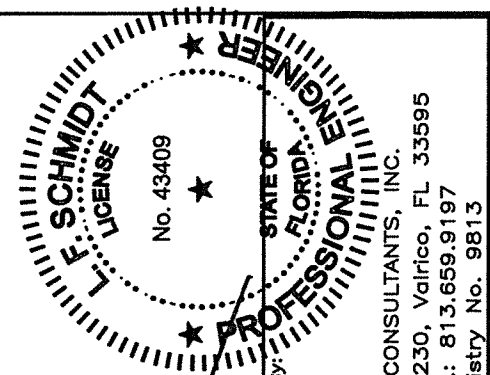
CONCRETE ANCHOR NOTES:

1. Concrete anchor locations at the corners may be adjusted to maintain the min. edge distance to mortar joints.
2. Concrete anchor locations noted as "MAX. ON CENTER" must be adjusted to maintain the min. edge distance to mortar joints, additional concrete anchors may be required to ensure the "MAX. ON CENTER" dimension are not exceeded.
3. Concrete anchor table:

ANCHOR TYPE	ANCHOR SIZE	MIN. EMBEDMENT	MIN. CLEARANCE TO MASONRY EDGE	MIN. CLEARANCE TO ADJACENT ANCHOR
ITW TAPCON®	3/16"	1-1/4"	2"	1-7/8"
DeWALT ULTRACON+®	1/4"	1-1/4"	1"	6"

WOOD SCREW INSTALLATION NOTES:

1. Maintain a minimum 3/4" edge distance, 1" end distance, & 1" o.c. spacing of wood screws to prevent the splitting of wood.

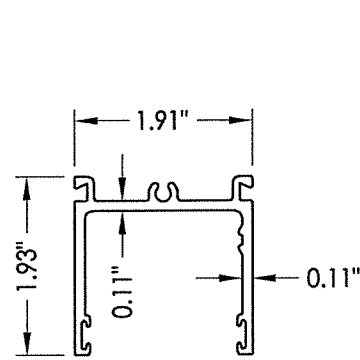


August 10, 2020
 Documents Prepared By:
 Lyndon F. Schmidt
 P.E. No. 43409

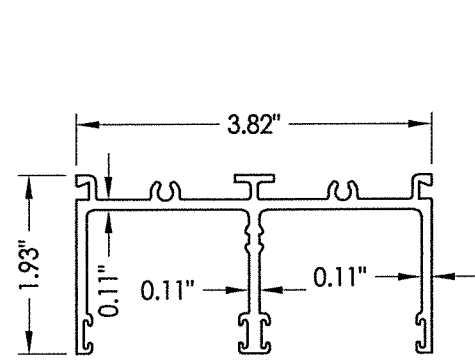
RW
 BUILDING CONSULTANTS, INC.
 P.O. Box 230, Vairico, FL 33595
 Phone No.: 813.659.9197
 FBPE Registry No. 9813

PRODUCT:		FLEETWOOD WINDOWS & DOORS	
PART OR ASSEMBLY:		FRAME ANCHORING	
DAC	FBC	DATE	REVISIONS
LFS	FBC	04/30/12	1
JK	REVISE		2
JK	CLARIFY MAX PANEL SIZE, REVISE G3 GLAZING & CHANGE NAME		3
JK	UPDATE TO 5TH ED. (2014) FBC		4
JK	ADD PANEL SIZE		5
BY			

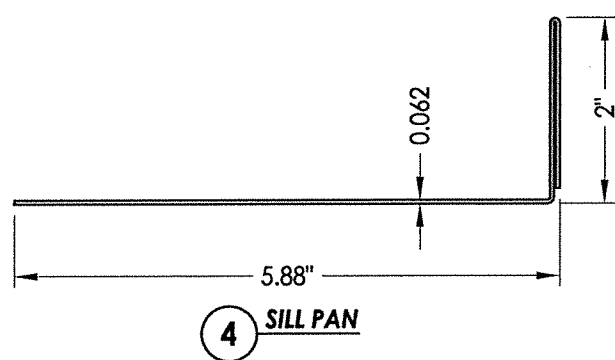
\\d011\pwc\clients\Fleetwood\PERMANENT\Florida-Product-Approvals\FL-15560-Sliding-Ratio-Deer-C-Drawing\FL-15560-1-5.dwg



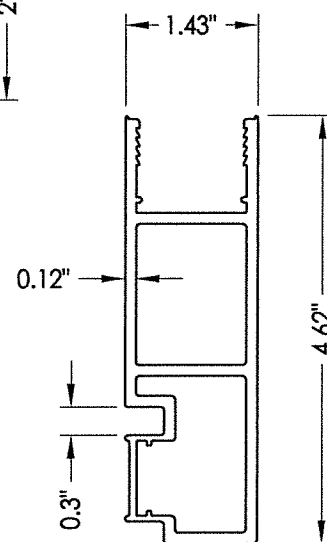
21 HEAD TRACK
1 Run



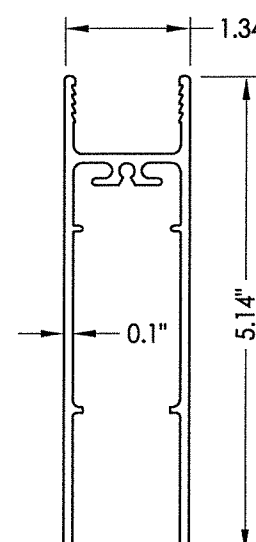
22 HEAD TRACK
2 Runs



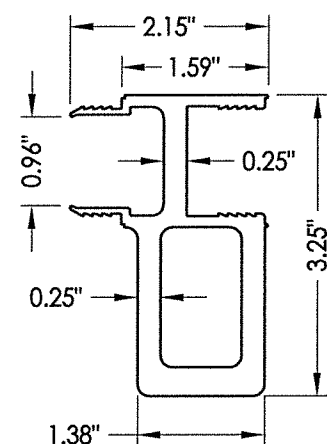
4 SILL PAN



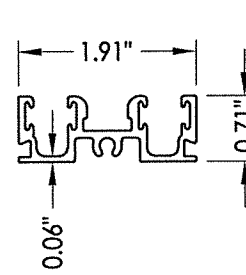
14 90° CORNER LOCK STILE



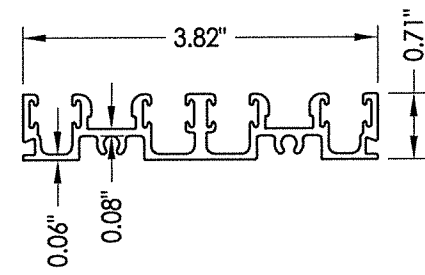
7 BOTTOM RAIL



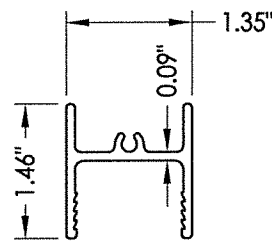
13 WINDLOAD ADAPTER



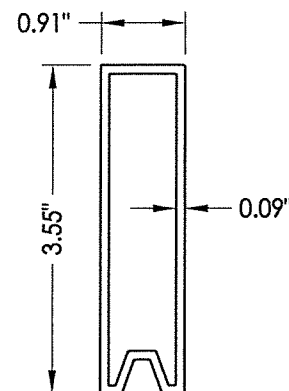
23 SILL TRACK
1 Run



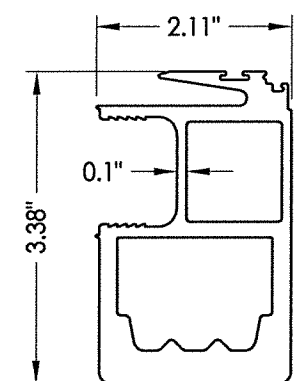
2 SILL TRACK
2 Runs



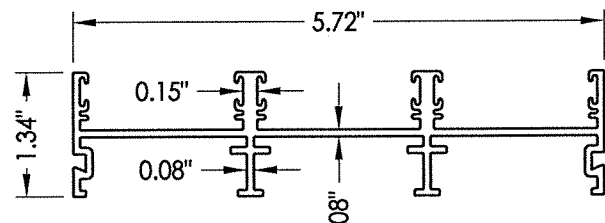
6 TOP RAIL



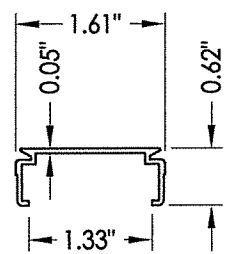
30 PANEL SETTING BLOCK



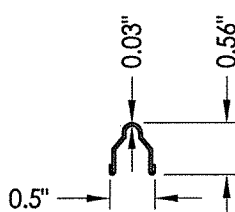
12 INTERLOCK STILE
High Performance



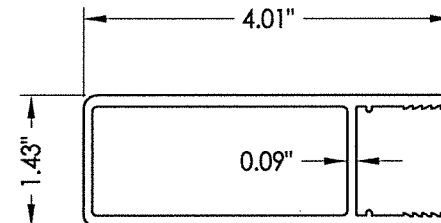
3 JAMB TRACK



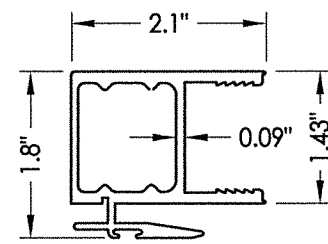
15 JAMB CHANNEL FILLER



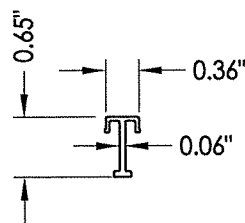
8 TRACK



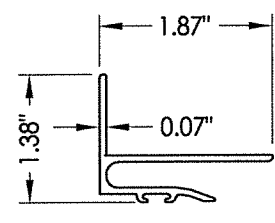
9 STILE



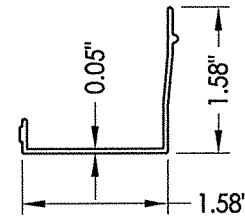
11 INTERLOCK STILE
Standard



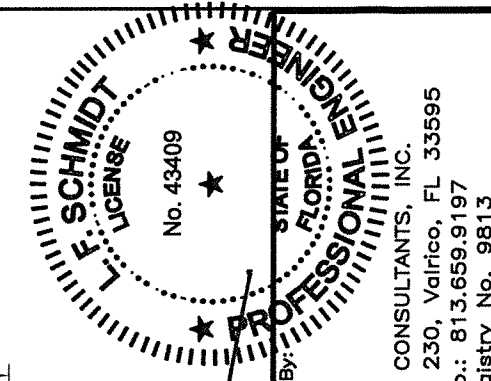
10 SILL CHANNEL FILLER



16 POCKET INTERLOCKER



5 HEAD CHANNEL FILLER



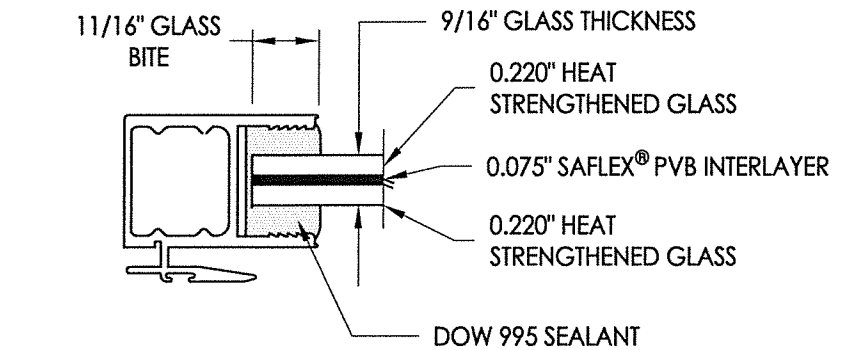
August 10, 2020
 Documents Prepared By:
 Lyndon F. Schmidt
 P.E. No. 43409

R.W. BUILDING CONSULTANTS, INC.
 P.O. Box 230, Valrico, FL 33595
 Phone No.: 813.659.9197
 FBPE Registry No. 9813

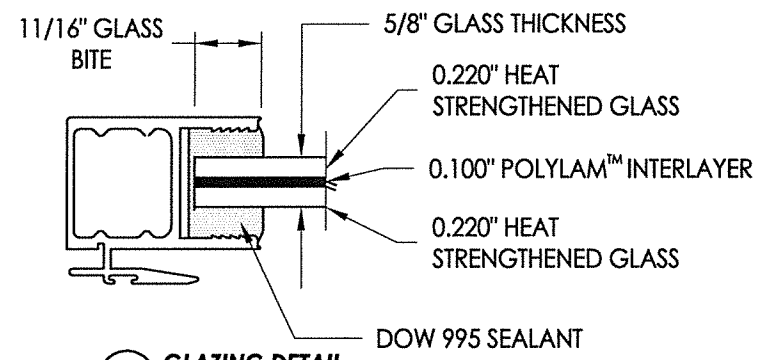
PRODUCT:		FLEETWOOD WINDOWS & DOORS	
PART OR ASSEMBLY:		COMPONENTS	
DATE:	04/30/12	DAC	JK
SCALE:	N.T.S.	LFS	JK
DWG. BY:	JK	FBC	JK
CHK. BY:	LFS	REVISE	JK
DRAWING NO.:	FL-15560.4	CLARIFY MAX PANEL SIZE, REVISE	JK
SHEET	7 OF 8	G3 GLAZING & CHANGE NAME	JK
		UPDATE TO 5TH ED. (2014) FBC	JK
		ADD PANEL SIZE	JK
		NO. DATE	BY
		REVISIONS	

\\dc01\rbw\clients\Fleetwood PERMANENTVA - Florida Product Approvals\FL-15560 Sliding Patio Doors\C - Drawings\FL 15560 (2020)\FL-15560.1-.5.dwg

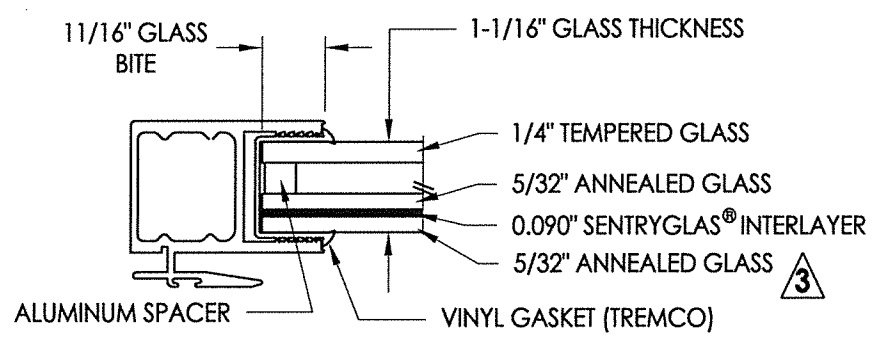
BILL OF MATERIALS		
ITEM #	DESCRIPTION	MATERIAL
A	1X BUCK SG >= 0.55	WOOD
B	2X BUCK SG >= 0.55	WOOD
C	1/4" MAX. SHIM SPACE	-
D	1/4" X 2-3/4" DeWALT OR ITW PFH CONCRETE SCREW	STEEL
E	MASONRY - 3,000 PSI MIN. CONCRETE CONFORMING TO ACI 301 OR HOLLOW BLOCK CONFORMING TO ASTM C90	CONCRETE
F	#10 X 2" PFH SMS (1" MIN. EMBEDMENT)	STEEL
G	3/16" X 2-3/4" ITW PFH CONCRETE SCREW	STEEL
H	3/16" X 2-1/4" ITW PFH CONCRETE SCREW	STEEL
J	3/16" X 3-1/4" ITW PFH CONCRETE SCREW	STEEL
K	1/4" X 1- 3/4" DeWALT PFH CONCRETE SCREW	STEEL
L	#8 X 1/2" PFH SMS	STEEL
P	#10 X 2" PFH SMS (1-1/2" MIN. EMBEDMENT)	STEEL
3	JAMB TRACK (3 RUNS)	6063-T6 ALUM
4	SILL PAN (TRIPLE RUN)	5052 -ALUM
5	HEAD CHANNEL FILLER	6063-T6 ALUM
6	TOP RAIL	6063-T6 ALUM
7	BOTTOM RAIL	6063-T6 ALUM
8	TRACK	S.S.
9	STILE	6063-T6 ALUM
10	SILL CHANNEL FILLER	6063-T6 ALUM
11	STANDARD INTERLOCK STILE	6063-T6 ALUM
12	HIGH PERFORMANCE INTERLOCK STILE	6063-T6 ALUM
13	WINDLOAD ADAPTER	6063-T6 ALUM
14	90° CORNER LOCK STILE	6063-T6 ALUM
15	JAMB CHANNEL FILLER	6063-T6 ALUM
16	POCKET INTERLOCKER	6063-T6 ALUM
21	HEAD TRACK (1 RUN)	6063-T6 ALUM
22	HEAD TRACK (2 RUNS)	6063-T6 ALUM
23	SILL TRACK (1 RUN)	6063-T6 ALUM
24	SILL TRACK (2 RUNS)	6063-T6 ALUM
26	#8 X 3/4" PPH SMS	STEEL
27	PRIMARY LATCH	-
28	SECONDARY LATCH	-
29	HANDLE SET	-
30	PANEL SETTING BLOCK	6063-T6 ALUM
31	MAMMOTH ROLLER ASSEMBLY	-
32	CENTER-FIN WEATHERSEAL .290 HIGH PILE (AMESBURY 43629-270)	-
33	HEAVY DENSITY WEATHERSEAL .300 HIGH PILE (AMESBURY 413330-270)	-



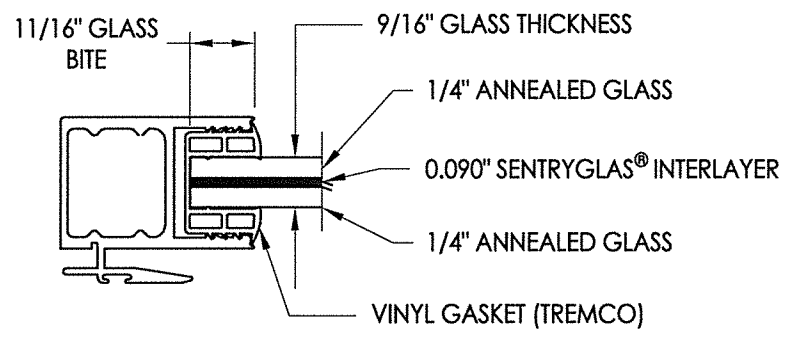
G1 GLAZING DETAIL
StormGlass™ by Oldcastle Glass



G2 GLAZING DETAIL
Safety-Plus II by Glasslam



G3 GLAZING DETAIL
Dry Seal



G4 GLAZING DETAIL
Dry Seal

NOTE: GLAZING > 36" WIDE REQUIRES AT LEAST TWO (2) SETTING BLOCKS CONFORMING TO FBC SECTION 2411.3.3.1.

R. F. SCHMIDT
LICENSE
No. 43409
STATE OF FLORIDA
PROFESSIONAL ENGINEER

August 10, 2020
Documents Prepared By: Lyndon F. Schmidt
P.E. No. 43409

RW
BUILDING CONSULTANTS, INC.
P.O. Box 230, Valrico, FL 33595
Phone No.: 813.659.9197
FBPE Registry No. 9813

PRODUCT:		FLEETWOOD WINDOWS & DOORS	
PART OR ASSEMBLY:		BILL OF MATERIALS AND GLAZING DETAILS	
DAC	UPDATE TO 7th ED. (2020)	FBC	REVISIONS
LFS	UPDATE TO 6th ED. (2017)	FBC	
JK	CLARIFY MAX PANEL SIZE, REVISE G3 GLAZING & CHANGE NAME		
JK	UPDATE TO 5th ED. (2014)	FBC	
JK	ADD PANEL SIZE		
BY	DATE		
5	8/10/20		
4	08/08/17		
3	8/06/15		
2	04/22/15		
1	10/30/12		
DATE: 04/30/12			
SCALE: N.T.S.			
DWG. BY: JK			
CHK. BY: LFS			
DRAWING NO.: FL-15560.4			
SHEET 8 OF 8			