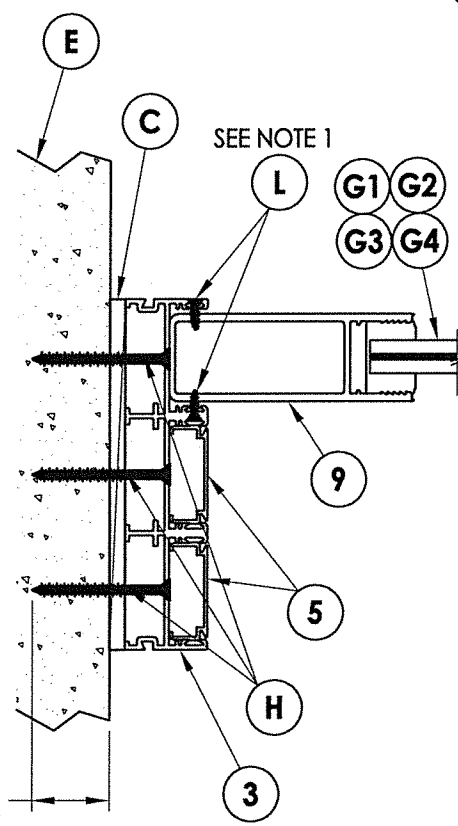
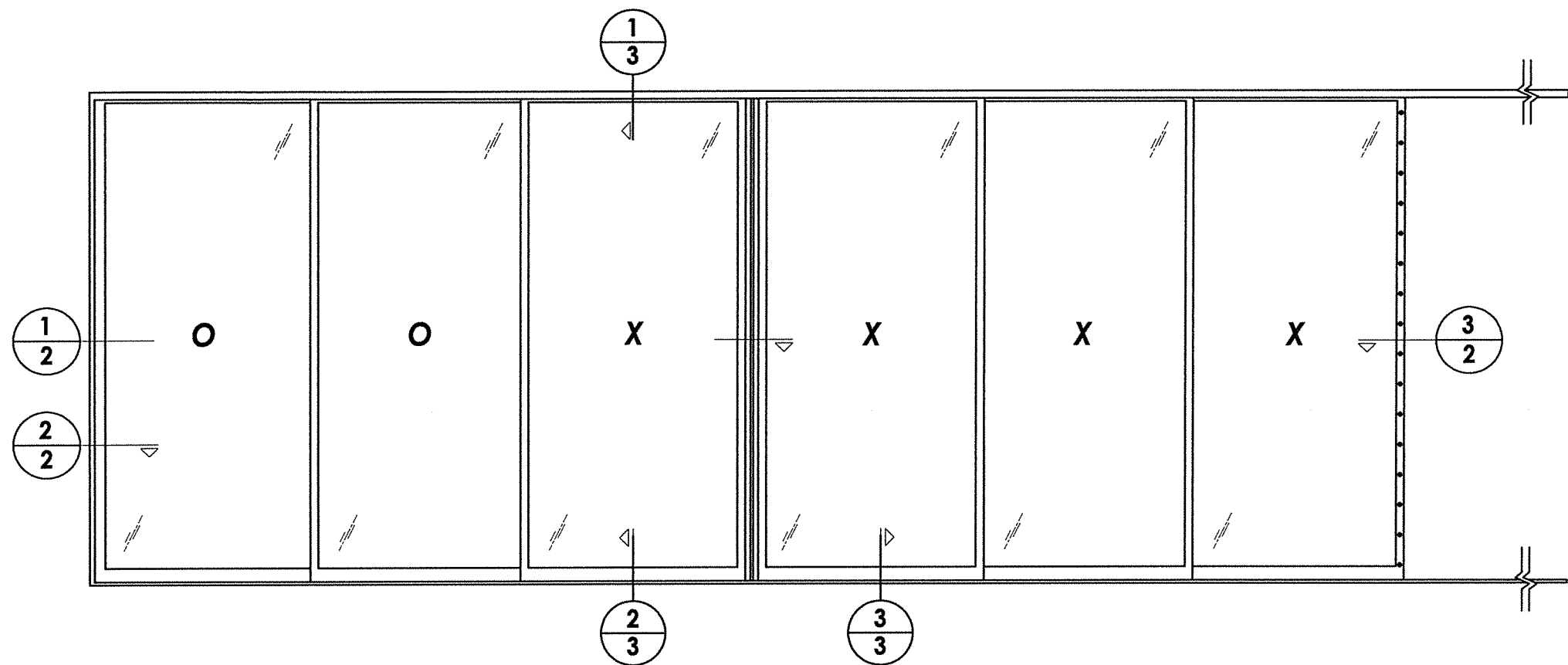
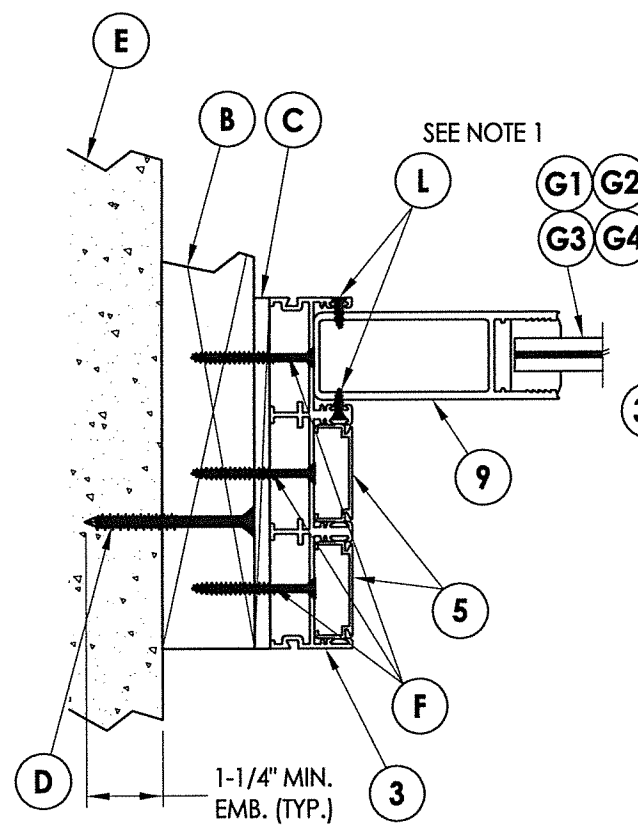




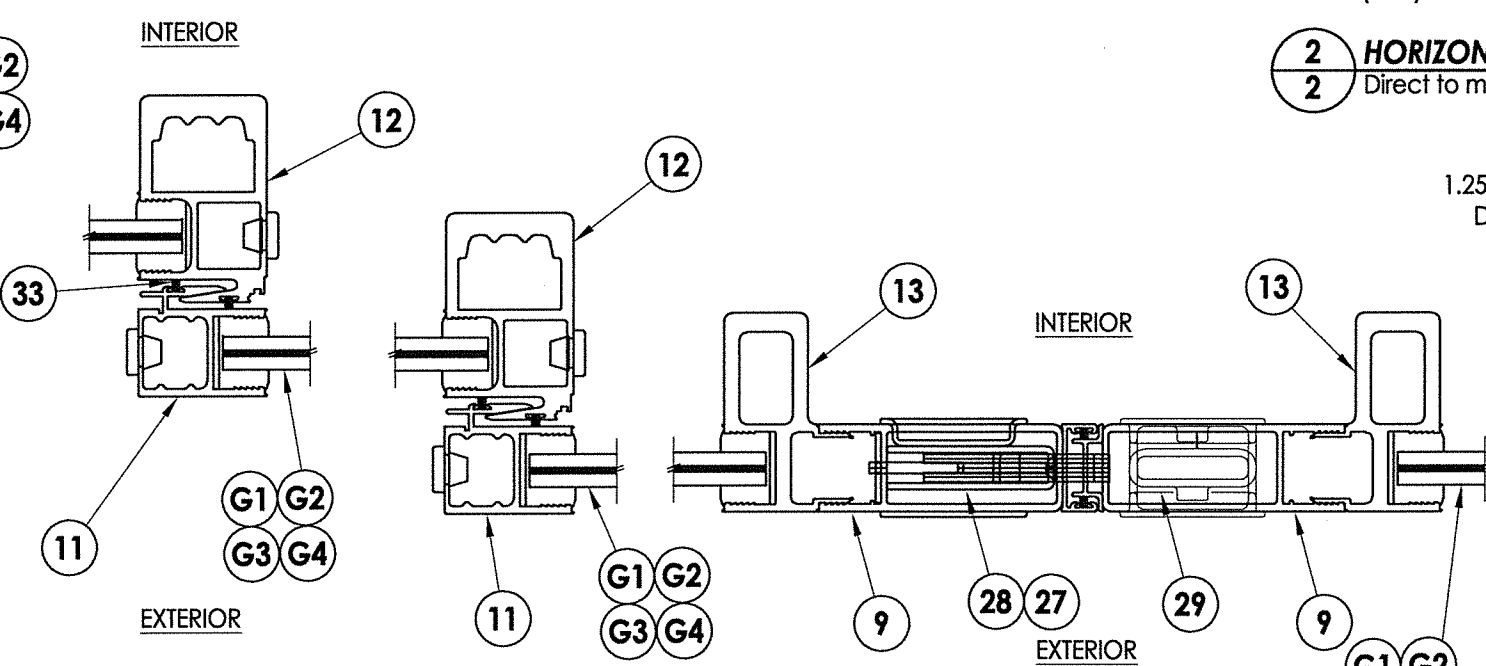
\\dc01\rb\clients\Fleetwood PERMANENTVA - Florida Product Approvals\FL-15560 Sliding Patio Doors\C - Drawings\FL 15560 (2020)\FL-15560.1-.5.dwg



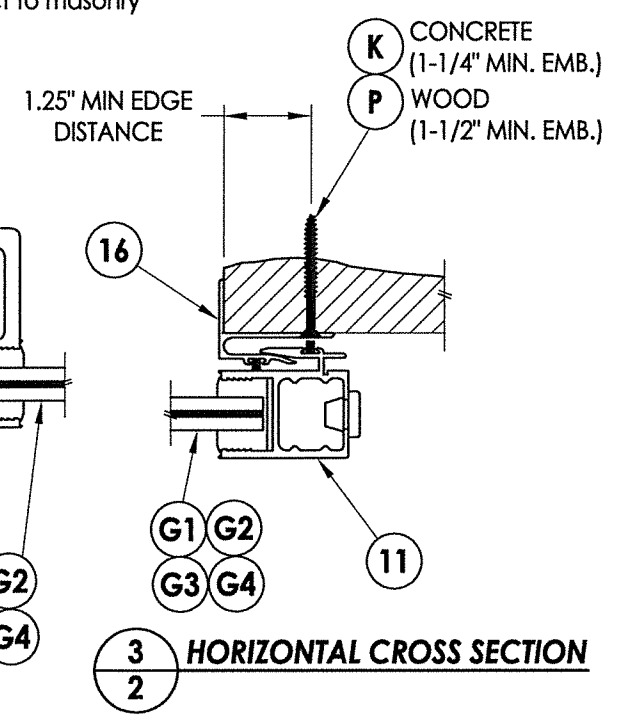
**2 HORIZONTAL CROSS SECTION**  
2 Direct to masonry



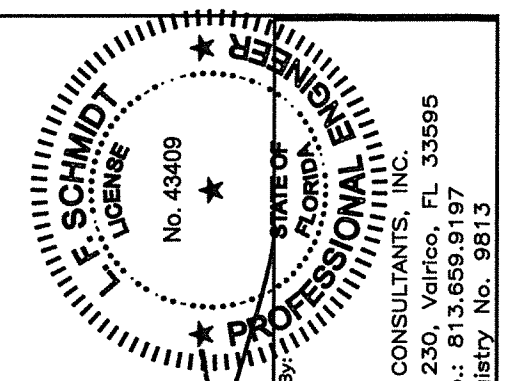
NOTE:  
1. Fixed panel screws located 39" from each end.



**1 HORIZONTAL CROSS SECTION**



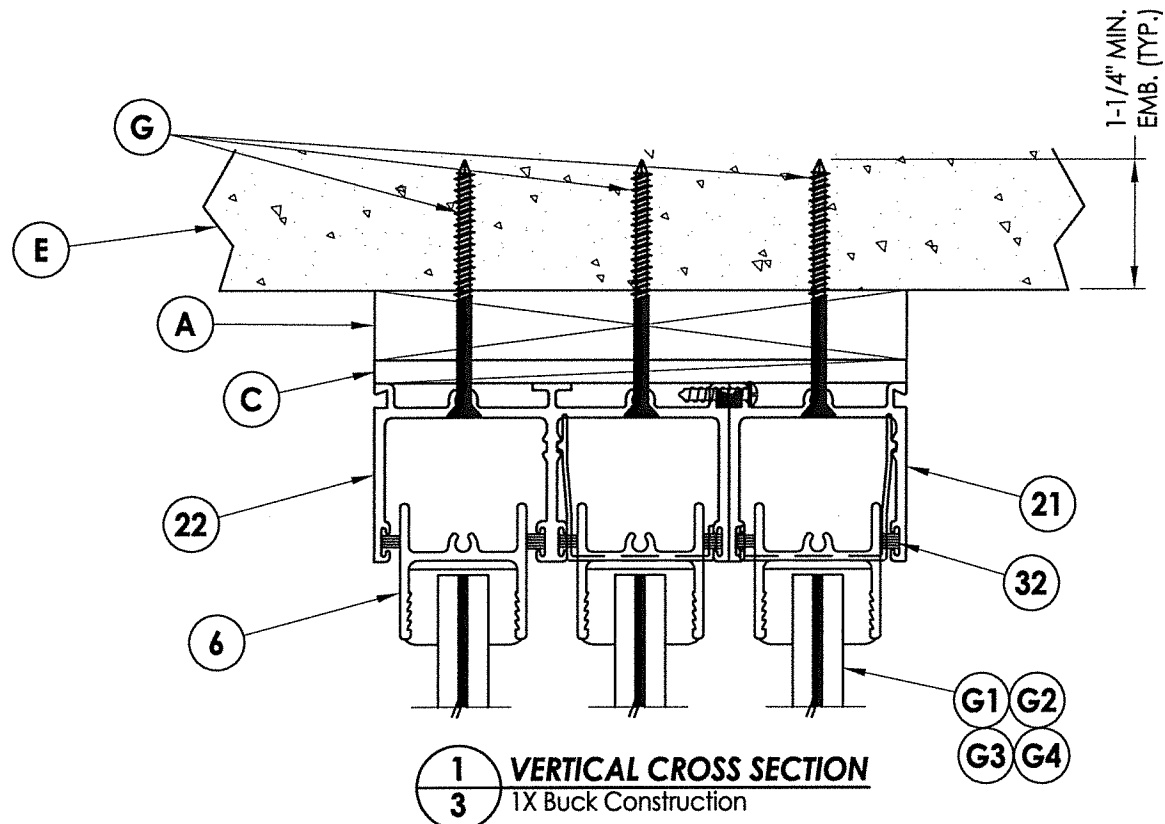
**3 HORIZONTAL CROSS SECTION**



August 10, 2020  
Documents Prepared By: Lyndon F. Schmidt  
P.E. No. 43409  
R.W. BUILDING CONSULTANTS, INC.  
P.O. Box 230, Valrico, FL 33595  
Phone No.: 813.659.9197  
FBPE Registry No. 9813

PRODUCT:		FLEETWOOD WINDOWS & DOORS	
PART OR ASSEMBLY:		HORIZONTAL CROSS SECTIONS	
DAC	FBC	JK	JK
LFS	REVISE	JK	LFS
5	8/10/20	UPDATE TO 7th ED. (2020)	DATE
4	08/08/17	UPDATE TO 6th ED. (2017)	04/30/12
3	8/06/15	CLARIFY MAX PANEL SIZE, REVISE G3 GLAZING & CHANGE NAME	SCALE
2	04/22/15	UPDATE TO 5th ED. (2014)	N.T.S.
1	6/20/12	REVISED G4 GLAZING/FRAME SIZE	DWG. BY: JK
NO.	DATE	REVISED G4 GLAZING/FRAME SIZE	CHK. BY: LFS
			DRAWING NO.:
			FL-15560.3
			SHEET 2 OF 7

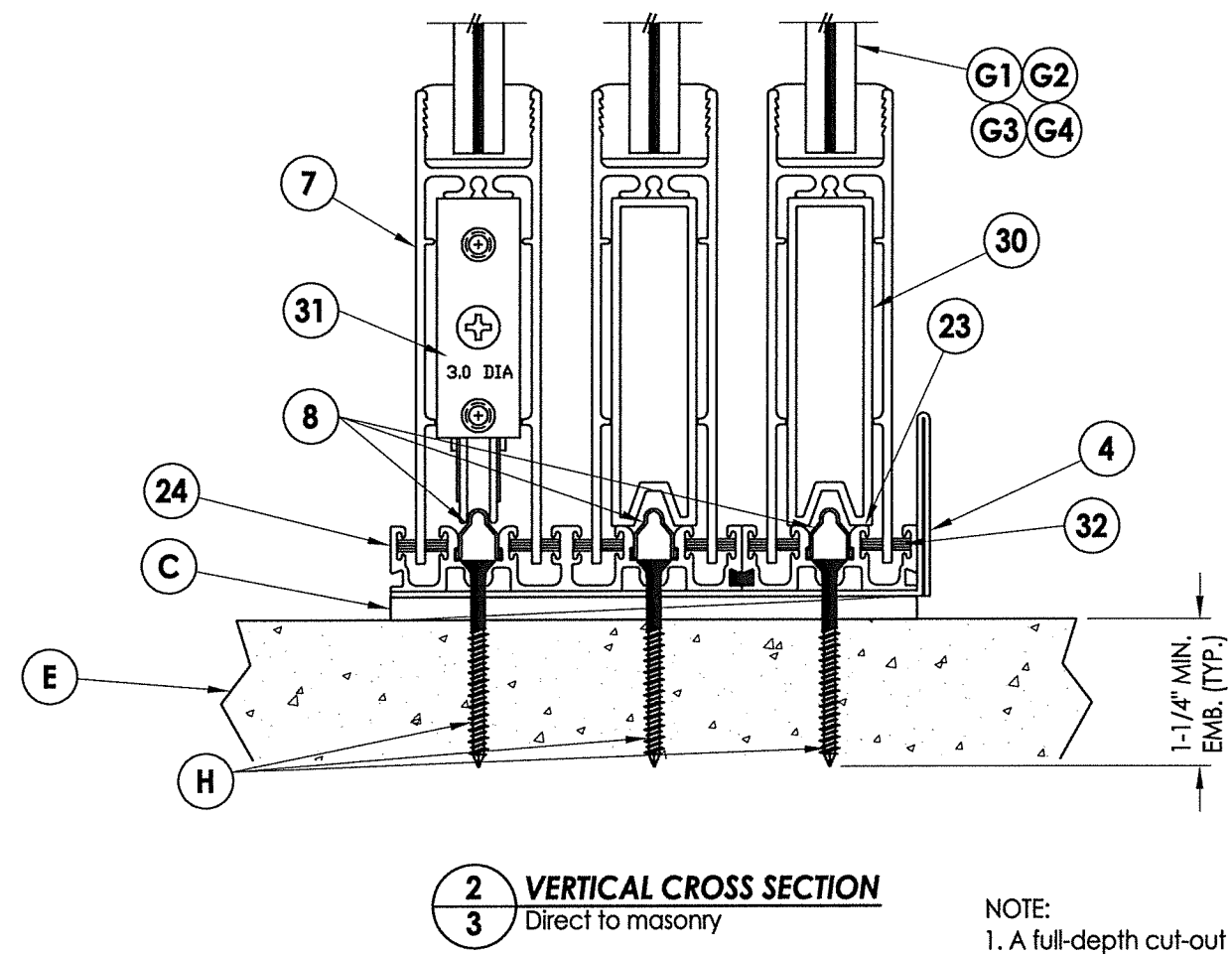
© 2012 R.W. BUILDING CONSULTANTS INC.



**1** VERTICAL CROSS SECTION  
**3** 1X Buck Construction

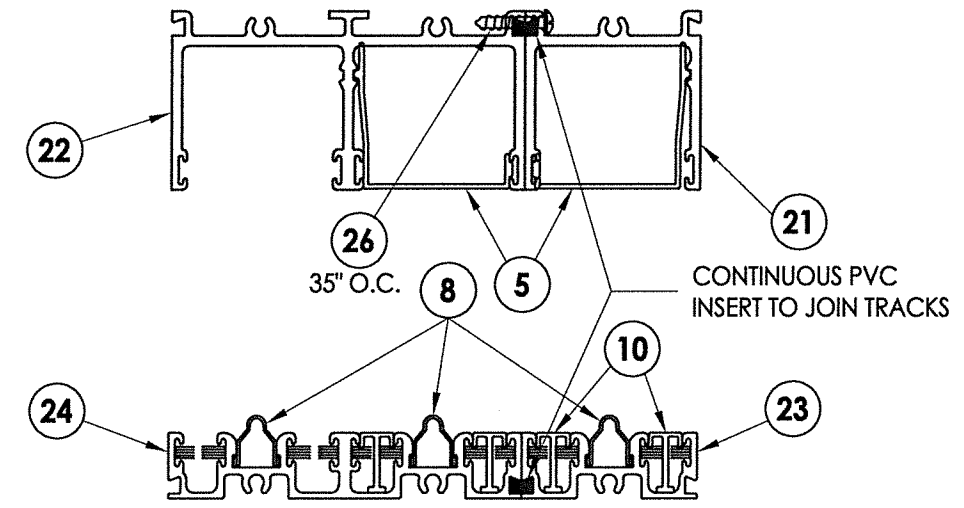
EXTERIOR

INTERIOR



**2** VERTICAL CROSS SECTION  
**3** Direct to masonry

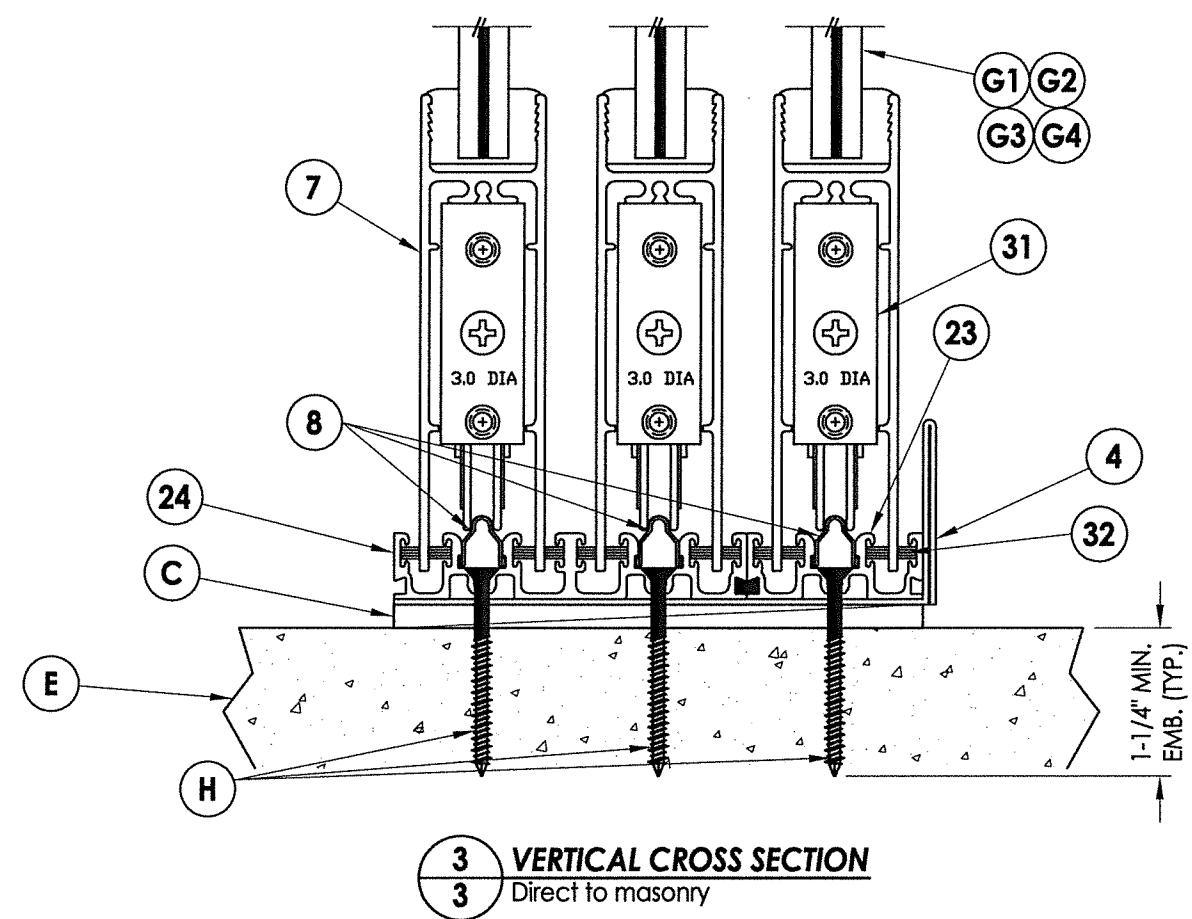
NOTE:  
1. A full-depth cut-out (1" wide x 3/16" tall) in track base is necessary to allow for water drainage (12" from each end and 24" o.c.).



HEAD & SILL COVER CONDITION

EXTERIOR

INTERIOR



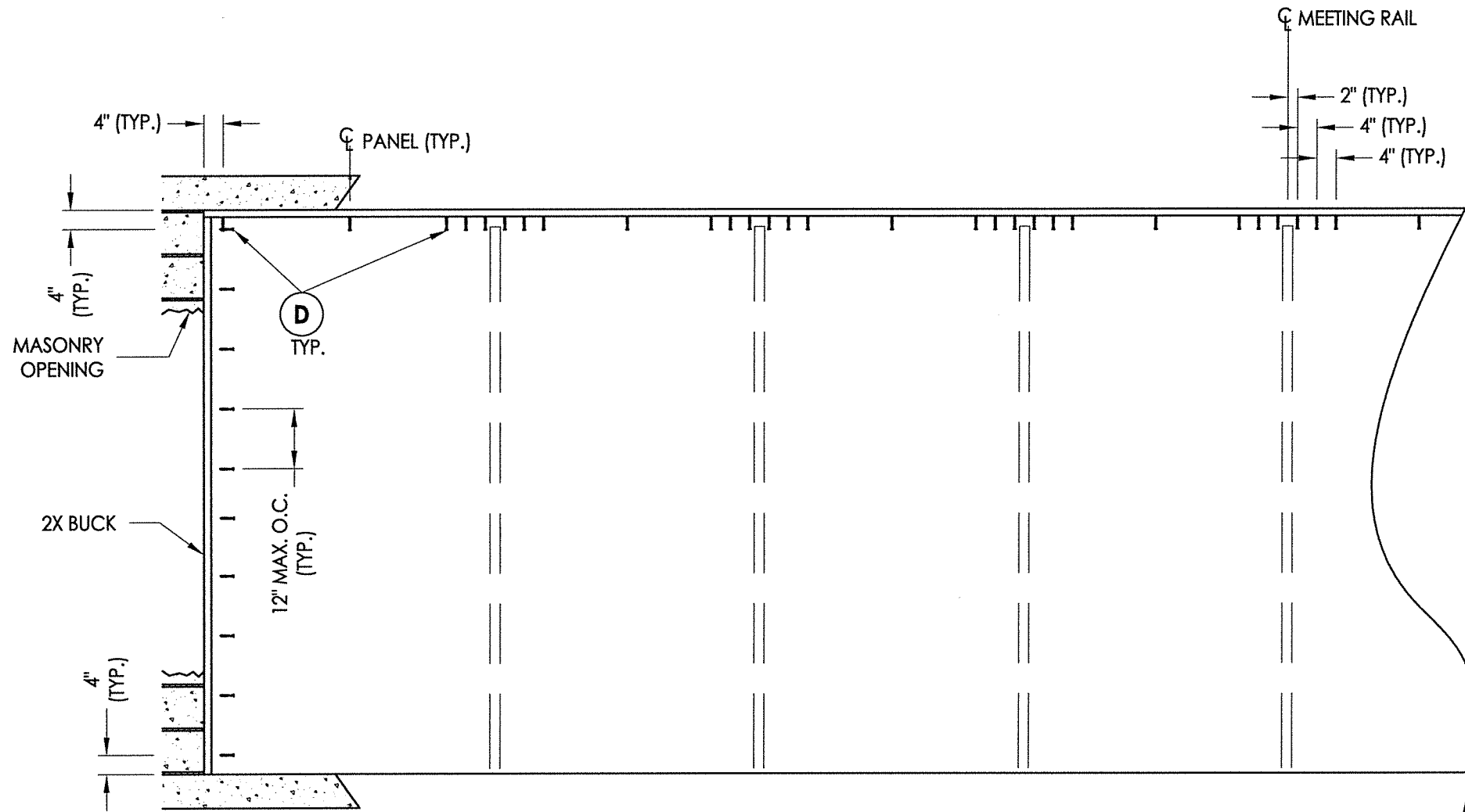
**3** VERTICAL CROSS SECTION  
**3** Direct to masonry

August 10, 2020  
Documents Prepared By: Lyndon F. Schmidt  
P.E. No. 43409

**R.W. BUILDING CONSULTANTS, INC.**  
P.O. Box 230, Vairico, FL 33595  
Phone No.: 813.659.9197  
FBPE Registry No. 9813

STATE OF FLORIDA  
PROFESSIONAL ENGINEER  
No. 43409  
E. SCHMIDT  
LICENSE

PRODUCT:		FLEETWOOD WINDOWS & DOORS			
PART OR ASSEMBLY:		VERTICAL CROSS SECTIONS			
DAC	FBC	JK	JK	JK	BY
5	8/10/20	UPDATE TO 7th ED. (2020)	LFS		
4	08/08/17	UPDATE TO 6TH ED. (2017)	JK		
3	8/06/15	CLARIFY MAX PANEL SIZE, REVISE G3 GLAZING & CHANGE NAME			
2	04/22/15	UPDATE TO 5TH ED. (2014)			
1	6/20/12	REVISED G4 GLAZING/FRAME SIZE			
NO.	DATE	REVISIONS			
DATE: 04/30/12					
SCALE: N.T.S.					
DWG. BY: JK					
CHK. BY: LFS					
DRAWING NO.: FL-15560.3					
SHEET 3 OF 7					

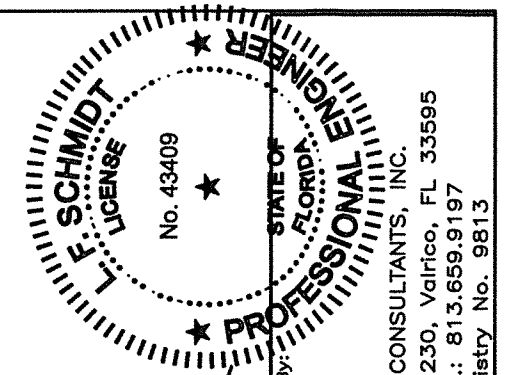


**2X BUCK ANCHORING**

**CONCRETE ANCHOR NOTES:**

1. Concrete anchor locations at the corners may be adjusted to maintain the min. edge distance to mortar joints.
2. Concrete anchor locations noted as "MAX. ON CENTER" must be adjusted to maintain the min. edge distance to mortar joints, additional concrete anchors may be required to ensure the "MAX. ON CENTER" dimension are not exceeded.
3. Concrete anchor table:

ANCHOR TYPE	ANCHOR SIZE	MIN. EMBEDMENT	MIN. CLEARANCE TO MASONRY EDGE	MIN. CLEARANCE TO ADJACENT ANCHOR
ITW TAPCON®	1/4"	1-1/4"	2"	4"
DeWALT ULTRACON+®	1/4"	1-1/4"	2-1/2"	4"



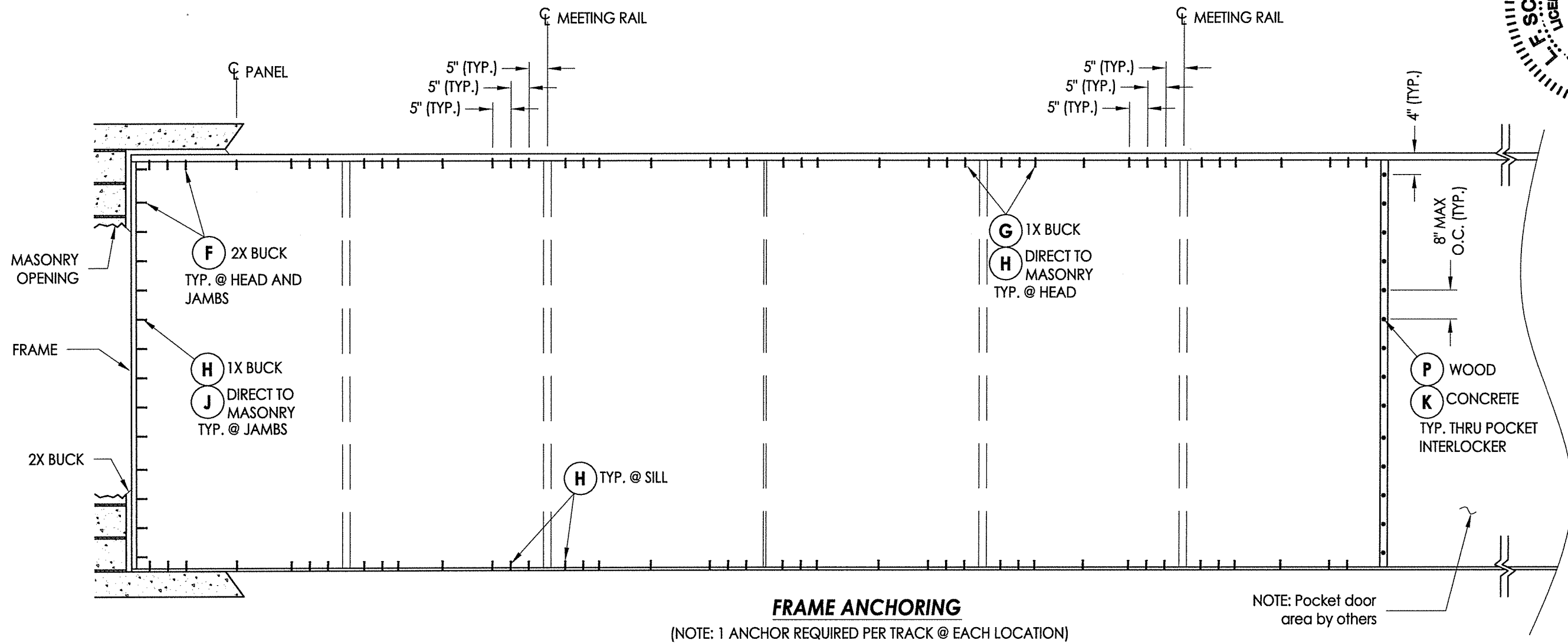
August 10, 2020  
 Documents Prepared By:  
 Lyndon F. Schmidt  
 P.E. No. 43409

*RW*  
 BUILDING CONSULTANTS, INC.  
 P.O. Box 230, Valrico, FL 33595  
 Phone No.: 813.659.9197  
 FBPE Registry No. 9813

PRODUCT:		FLEETWOOD WINDOWS & DOORS	
PART OR ASSEMBLY:		BUCK ANCHORING	
NO.	DATE	REVISIONS	
5	8/10/20	UPDATE TO 7TH ED. (2020) FBC	DAC
4	08/08/17	UPDATE TO 6TH ED. (2017) FBC	LFS
3	8/06/15	CLARIFY MAX PANEL SIZE, REVISE G3 GLAZING & CHANGE NAME	JK
2	04/22/15	UPDATE TO 5TH ED. (2014) FBC	JK
1	6/20/12	REVISED G4 GLAZING/FRAME SIZE	LFS
			BY

DATE: 04/30/12  
 SCALE: N.T.S.  
 DWG. BY: JK  
 CHK. BY: LFS  
 DRAWING NO.: FL-15560.3  
 SHEET 4 OF 7

\\dc01\wbc\clients\Fleetwood PERMANENT\A - Florida Product Approvals\FL-15560 Sliding Patio Doors\C - Drawings\FL 15560 (2020)\FL-15560.1-.5.dwg



**FRAME ANCHORING**

(NOTE: 1 ANCHOR REQUIRED PER TRACK @ EACH LOCATION)

NOTE: Pocket door area by others

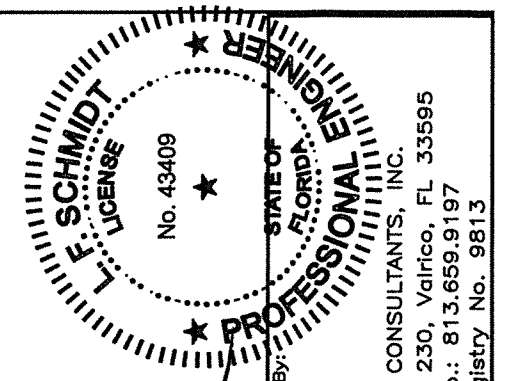
**CONCRETE ANCHOR NOTES:**

1. Concrete anchor locations at the corners may be adjusted to maintain the min. edge distance to mortar joints.
2. Concrete anchor locations noted as "MAX. ON CENTER" must be adjusted to maintain the min. edge distance to mortar joints, additional concrete anchors may be required to ensure the "MAX. ON CENTER" dimension are not exceeded.
3. Concrete anchor table:

ANCHOR TYPE	ANCHOR SIZE	MIN. EMBEDMENT	MIN. CLEARANCE TO MASONRY EDGE	MIN. CLEARANCE TO ADJACENT ANCHOR
ITW TAPCON®	3/16"	1-1/4"	2"	1-7/8"
DeWALT ULTRACON®	1/4"	1-1/4"	1"	6"

**WOOD SCREW INSTALLATION NOTES:**

1. Maintain a minimum 3/4" edge distance, 1" end distance, & 1" o.c. spacing of wood screws to prevent the splitting of wood.



August 10, 2020  
 Documents Prepared By:  
 Lyndon F. Schmidt  
 P.E. No. 43409

PRODUCT:  
 FLEETWOOD WINDOWS & DOORS

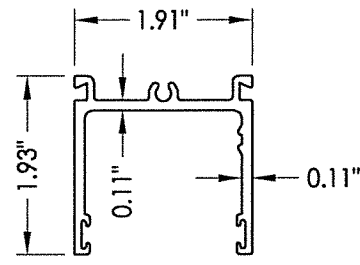
PART OR ASSEMBLY:  
 FRAME ANCHORING

NO.	DATE	REVISIONS
5	8/10/20	UPDATE TO 7TH ED. (2020) FBC
4	08/08/17	UPDATE TO 6TH ED. (2017) FBC
3	8/06/15	CLARIFY MAX PANEL SIZE, REVISE G3 GLAZING & CHANGE NAME
2	04/22/15	UPDATE TO 5TH ED. (2014) FBC
1	6/20/12	REVISED G4 GLAZING/FRAME SIZE

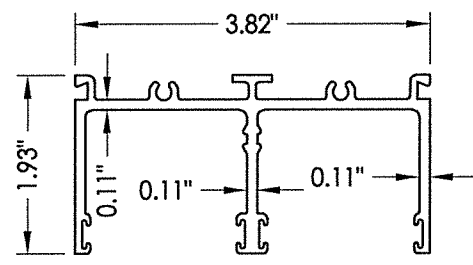
DATE: 04/30/12  
 SCALE: N.T.S.  
 DWG. BY: JK  
 CHK. BY: LFS  
 DRAWING NO.: FL-15560.3  
 SHEET 5 OF 7

RW BUILDING CONSULTANTS, INC.  
 P.O. Box 230, Valrico, FL 33595  
 Phone No.: 813.659.9197  
 FBPE Registry No. 9813

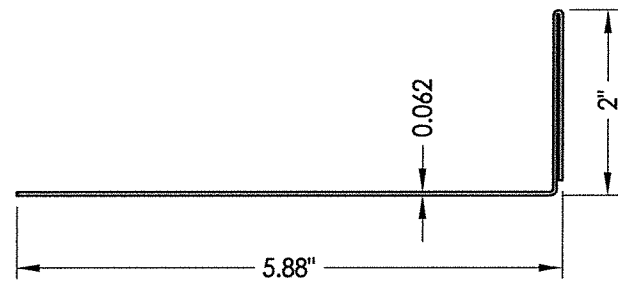
\\dc01\wbcc\clients\Fleetwood PERMANENT\A - Florida Product Approvals\FL-15560 Sliding Patio Doors\C - Drawings\FL 15560 (2020)\FL-15560.1-.5.dwg



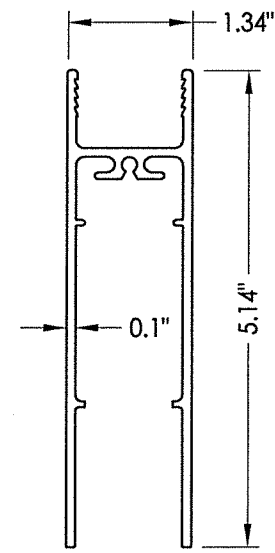
**21 HEAD TRACK**  
1 Run



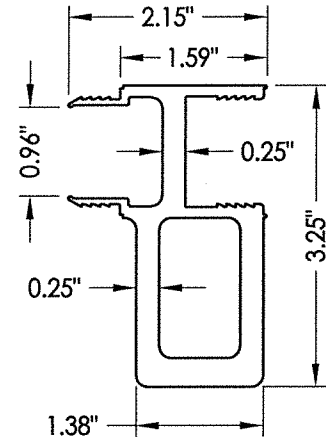
**22 HEAD TRACK**  
2 Runs



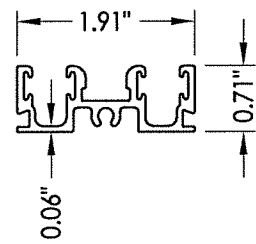
**4 SILL PAN**



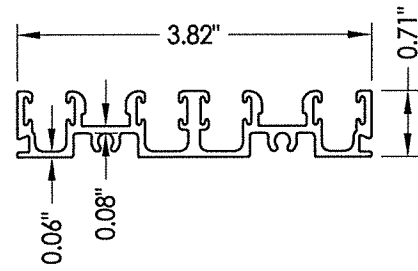
**7 BOTTOM RAIL**



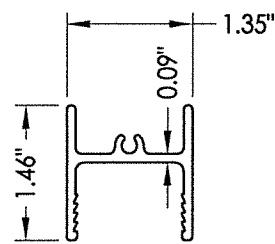
**13 WINDLOAD ADAPTER**



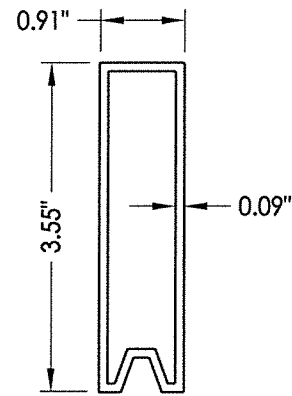
**23 SILL TRACK**  
1 Run



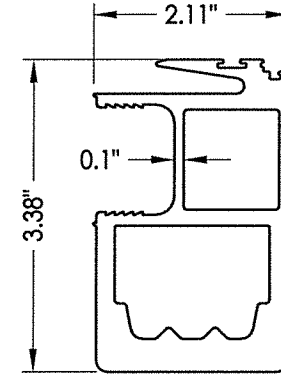
**2 SILL TRACK**  
2 Runs



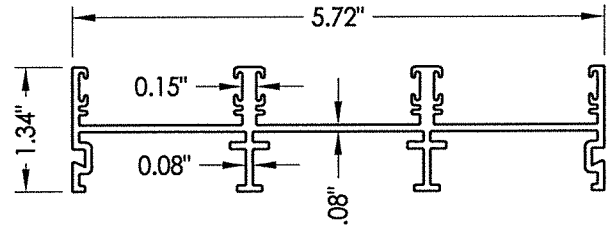
**6 TOP RAIL**



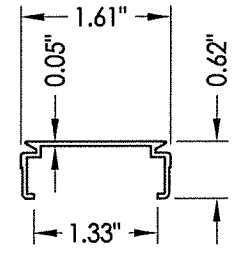
**30 PANEL SETTING BLOCK**



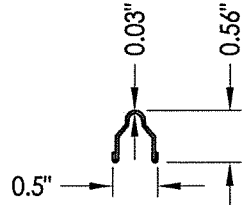
**12 INTERLOCK STILE**  
High Performance



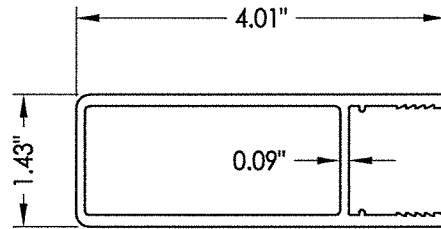
**3 JAMB TRACK**



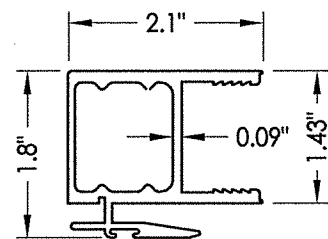
**15 JAMB CHANNEL FILLER**



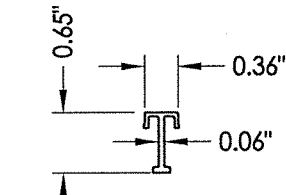
**8 TRACK**



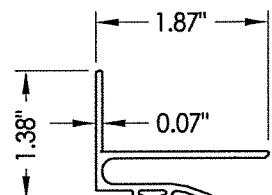
**9 STILE**



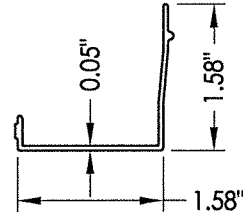
**11 INTERLOCK STILE**  
Standard



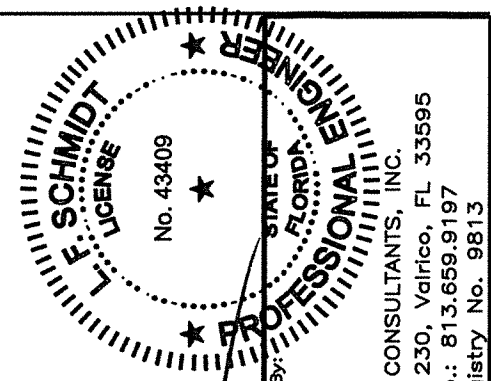
**10 SILL CHANNEL FILLER**



**16 POCKET INTERLOCKER**



**5 HEAD CHANNEL FILLER**



August 10, 2020  
 Documents Prepared By:  
 Lyndon F. Schmidt  
 P.E. No. 43409  
 R.W. BUILDING CONSULTANTS, INC.  
 P.O. Box 230, Vairico, FL 33595  
 Phone No.: 813.659.9197  
 FBPE Registry No. 9813

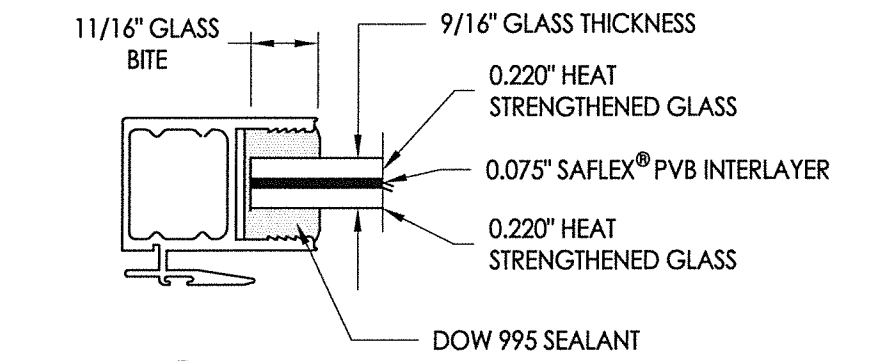
PRODUCT:  
 FLEETWOOD WINDOWS & DOORS  
 PART OR ASSEMBLY:  
 COMPONENTS

NO.	DATE	REVISIONS	BY
5	8/10/20	UPDATE TO 7th ED. (2020) FBC	DAC
4	08/08/17	UPDATE TO 6TH ED. (2017) FBC	LFS
3	8/06/15	CLARIFY MAX PANEL SIZE, REVISE G3 GLAZING & CHANGE NAME	JK
2	04/22/15	UPDATE TO 5TH ED. (2014) FBC	JK
1	6/20/12	REVISED G4 GLAZING/FRAME SIZE	LFS

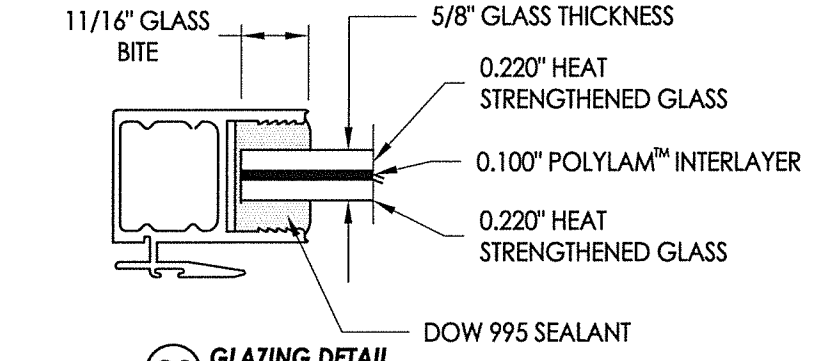
DATE: 04/30/12  
 SCALE: N.T.S.  
 DWG. BY: JK  
 CHK. BY: LFS  
 DRAWING NO.: FL-15560.3  
 SHEET 6 OF 7

\\dc01\vwbc\Clients\Fleetwood PERMANENT\A - Florida Product Approvals\FL-15560 Sliding Patio Doors\C - Drawings\FL 15560 (2020)\FL-15560.1-5.dwg

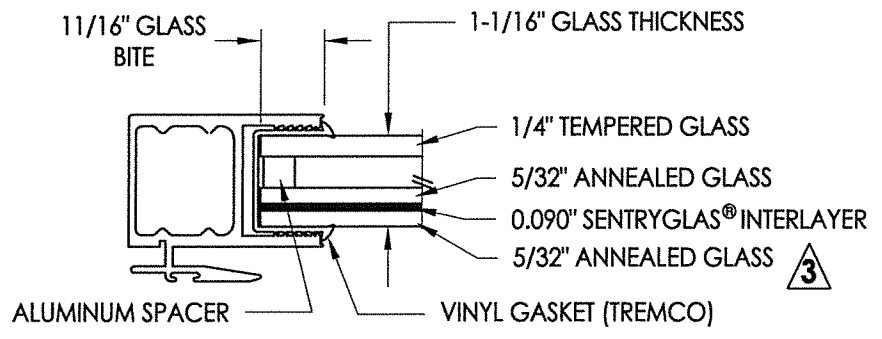
BILL OF MATERIALS		
ITEM #	DESCRIPTION	MATERIAL
A	1X BUCK SG >= 0.55	WOOD
B	2X BUCK SG >= 0.55	WOOD
C	1/4" MAX. SHIM SPACE	-
D	1/4" X 2-3/4" DeWALT OR ITW PFH CONCRETE SCREW	STEEL
E	MASONRY - 3,000 PSI MIN. CONCRETE CONFORMING TO ACI 301 OR HOLLOW BLOCK CONFORMING TO ASTM C90	CONCRETE
F	#10 X 2" PFH SMS (1" MIN. EMBEDMENT)	STEEL
G	3/16" X 2-3/4" ITW PFH CONCRETE SCREW	STEEL
H	3/16" X 2-1/4" ITW PFH CONCRETE SCREW	STEEL
J	3/16" X 3-1/4" ITW PFH CONCRETE SCREW	STEEL
K	1/4" X 1- 3/4" DeWALT PFH CONCRETE SCREW	STEEL
L	#8 X 1/2" PFH SMS	STEEL
P	#10 X 2" PFH SMS (1-1/2" MIN. EMBEDMENT)	STEEL
3	JAMB TRACK (3 RUNS)	6063-T6 ALUM
4	SILL PAN (TRIPLE RUN)	5052 -ALUM
5	HEAD CHANNEL FILLER	6063-T6 ALUM
6	TOP RAIL	6063-T6 ALUM
7	BOTTOM RAIL	6063-T6 ALUM
8	TRACK	S.S.
9	STILE	6063-T6 ALUM
10	SILL CHANNEL FILLER	6063-T6 ALUM
11	STANDARD INTERLOCK STILE	6063-T6 ALUM
12	HIGH PERFORMANCE INTERLOCK STILE	6063-T6 ALUM
13	WINDLOAD ADAPTER	6063-T6 ALUM
15	JAMB CHANNEL FILLER	6063-T6 ALUM
16	POCKET INTERLOCKER	6063-T6 ALUM
21	HEAD TRACK (1 RUN)	6063-T6 ALUM
22	HEAD TRACK (2 RUNS)	6063-T6 ALUM
23	SILL TRACK (1 RUN)	6063-T6 ALUM
24	SILL TRACK (2 RUNS)	6063-T6 ALUM
26	#8 X 3/4" PPH SMS	STEEL
27	PRIMARY LATCH	-
28	SECONDARY LATCH	-
29	HANDLE SET	-
30	PANEL SETTING BLOCK	6063-T6 ALUM
31	MAMMOTH ROLLER ASSEMBLY	-
32	CENTER-FIN WEATHERSEAL .290 HIGH PILE (AMESBURY 43629-270)	-
33	HEAVY DENSITY WEATHERSEAL .300 HIGH PILE (AMESBURY 413330-270)	-



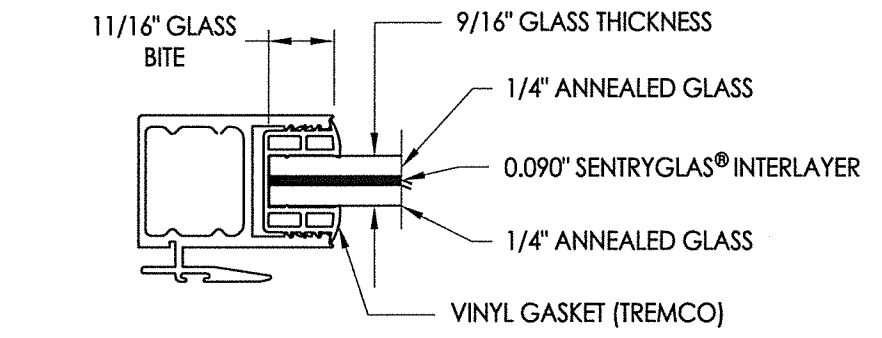
**G1 GLAZING DETAIL**  
StormGlass™ by Oldcastle Glass



**G2 GLAZING DETAIL**  
Safety-Plus II by Glaslam



**G3 GLAZING DETAIL**  
Dry Seal



**G4 GLAZING DETAIL**  
Dry Seal

NOTE: GLAZING > 36" WIDE REQUIRES AT LEAST TWO (2) SETTING BLOCKS CONFORMING TO FBC SECTION 2411.3.3.1.

August 10, 2020  
 Documents Prepared By:  
 Lyndon F. Schmidt  
 P.E. No. 43409

**R.W.** BUILDING CONSULTANTS, INC.  
 P.O. Box 230, Valrico, FL 33595  
 Phone No.: 813.659.9197  
 FBPE Registry No. 9813

PRODUCT:		FLEETWOOD WINDOWS & DOORS	
PART OR ASSEMBLY:		BILL OF MATERIALS AND GLAZING DETAILS	
DATE:	04/30/12	SCALE:	N.T.S.
DWG. BY:	JK	CHK. BY:	LFS
DRAWING NO.:	FL-15560.3	SHEET	7 OF 7

NO.	DATE	REVISIONS
5	8/10/20	UPDATE TO 7th ED. (2020) FBC
4	08/08/17	UPDATE TO 6TH ED. (2017) FBC
3	8/06/15	CLARIFY MAX PANEL SIZE, REVISE G3 GLAZING & CHANGE NAME
2	04/22/15	UPDATE TO 5TH ED. (2014) FBC
1	6/20/12	REVISED G4 GLAZING/FREAME SIZE