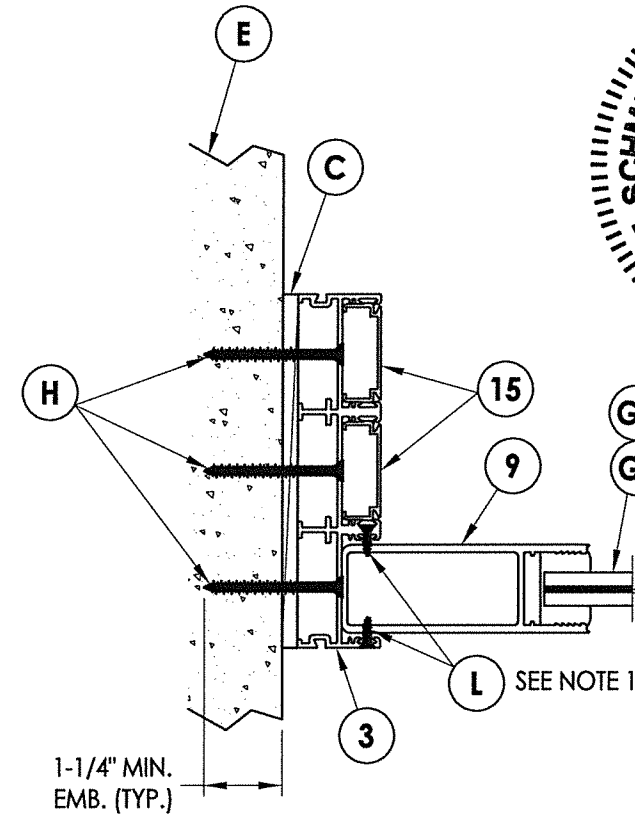
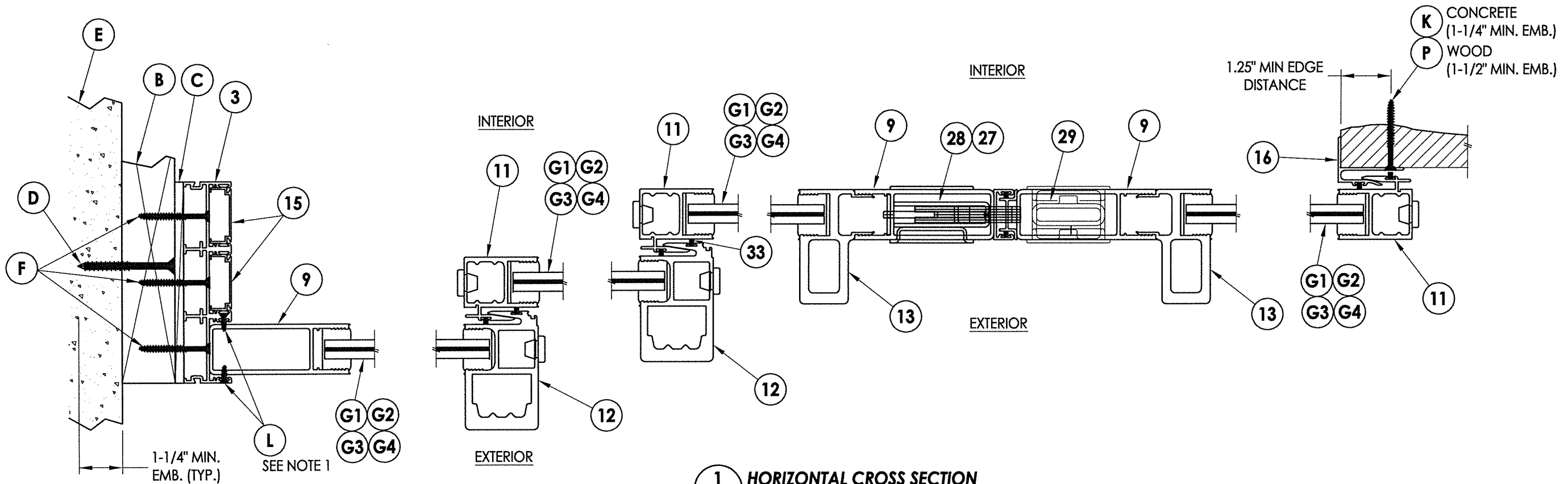


SLIDING GLASS POCKET DOOR

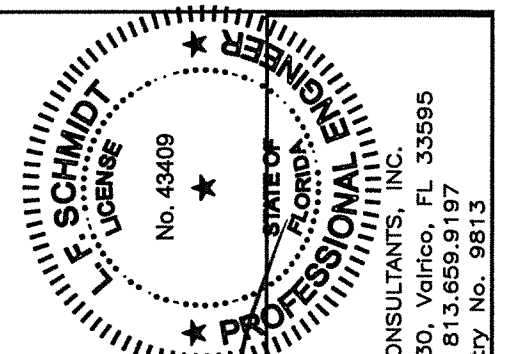


2 HORIZONTAL CROSS SECTION
2 Direct to masonry



1 HORIZONTAL CROSS SECTION
2 2X Buck Construction

NOTE:
1. Fixed panel screws located 39" from each end.

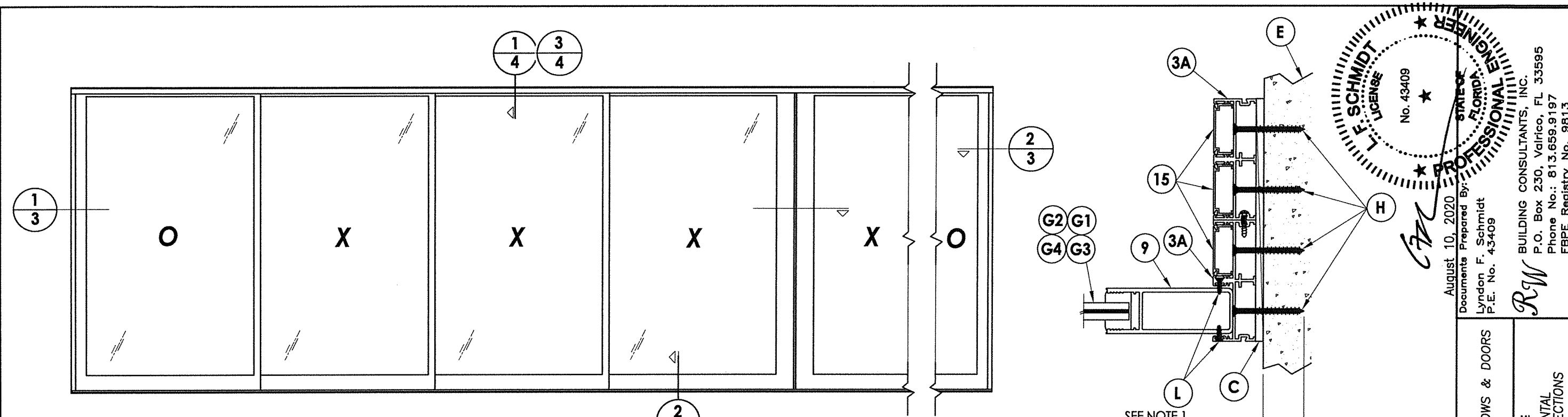


August 10, 2020
Documents Prepared By:
Lyndon F. Schmidt
P.E. No. 43409
RW BUILDING CONSULTANTS, INC.
P.O. Box 230, Valrico, FL 33595
Phone No.: 813.659.9197
FBPE Registry No. 9813

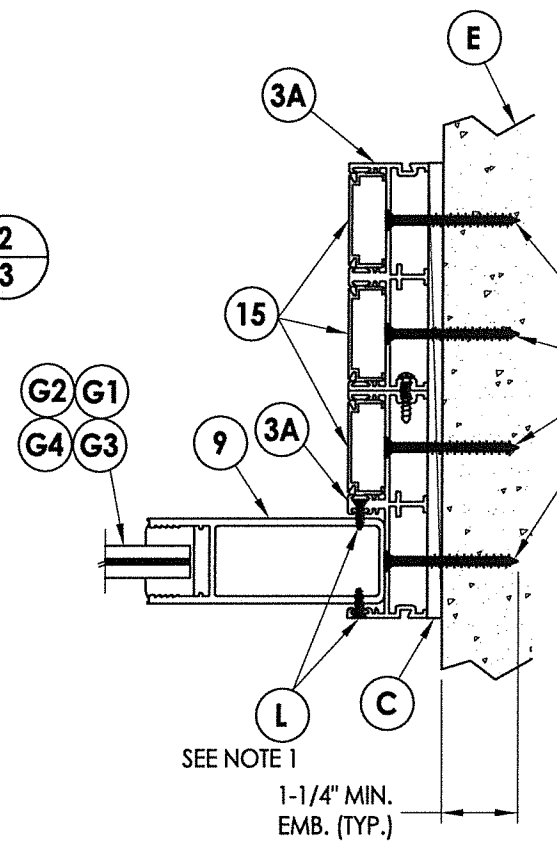
PRODUCT:		FLEETWOOD WINDOWS & DOORS			
PART OR ASSEMBLY:		HORIZONTAL CROSS SECTIONS			
NO.	DATE	REVISIONS	DAC	FBC	BY
5	8/10/20	UPDATE TO 7th ED. (2020)	FBC		
4	08/08/17	UPDATE TO 6TH ED. (2017)	FBC		
3	8/06/15	CLARIFY MAX PANEL SIZE, REVISE G3 GLAZING & CHANGE NAME	JK		
2	04/22/15	UPDATE TO 5TH ED. (2014)	FBC		
1	1/14/14	REVISED ANCHORING	FBC		

DATE: 04/30/12
SCALE: N.T.S.
DWG. BY: JK
CHK. BY: LFS
DRAWING NO.: FL-15560.2
SHEET 2 OF 9

\\dc01\rbw\clients\Fleetwood PERMANENTVA - Florida Product Approvals\FL-15560 Sliding Patio Doors\C - Drawings\FL 15560 (2020)\FL-15560.1-.5.dwg



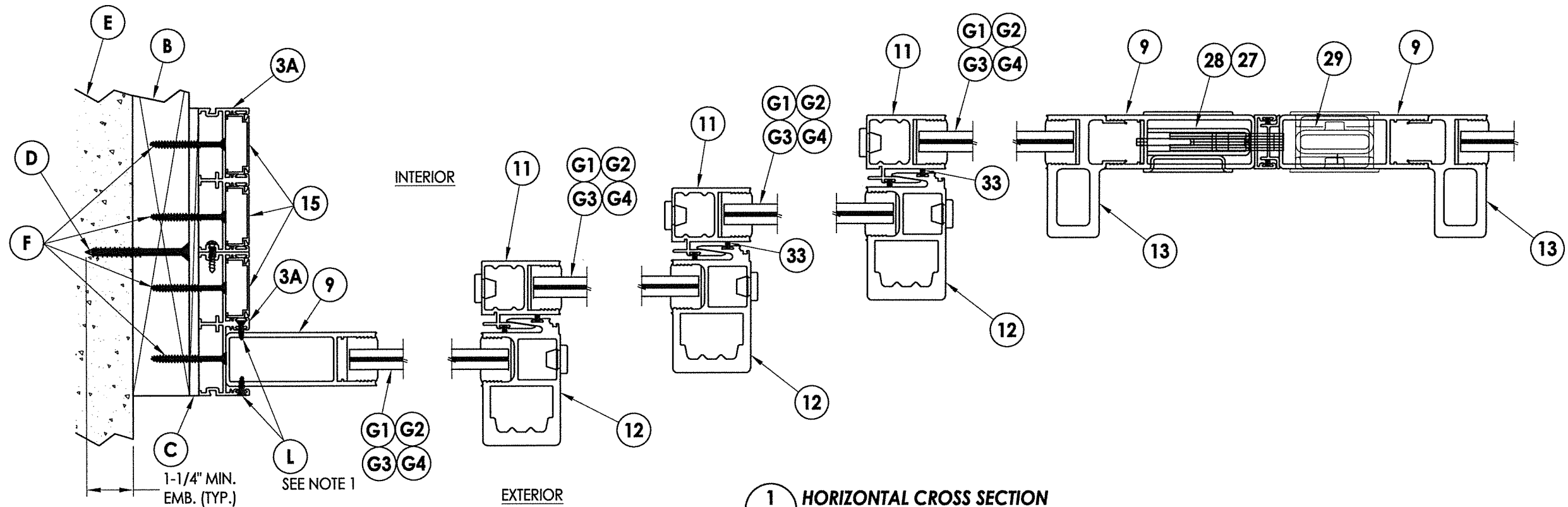
SLIDING GLASS DOOR



SEE NOTE 1

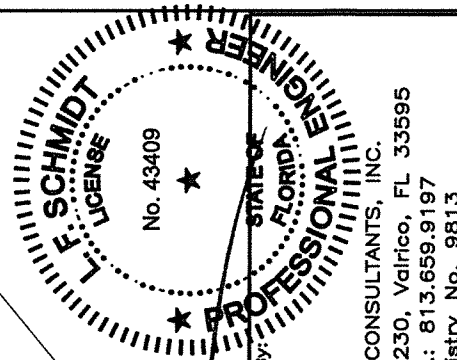
1-1/4" MIN.
EMB. (TYP.)

2 HORIZONTAL CROSS SECTION
3 Direct to masonry



NOTE:
1. Fixed panel screws located 39" from each end.

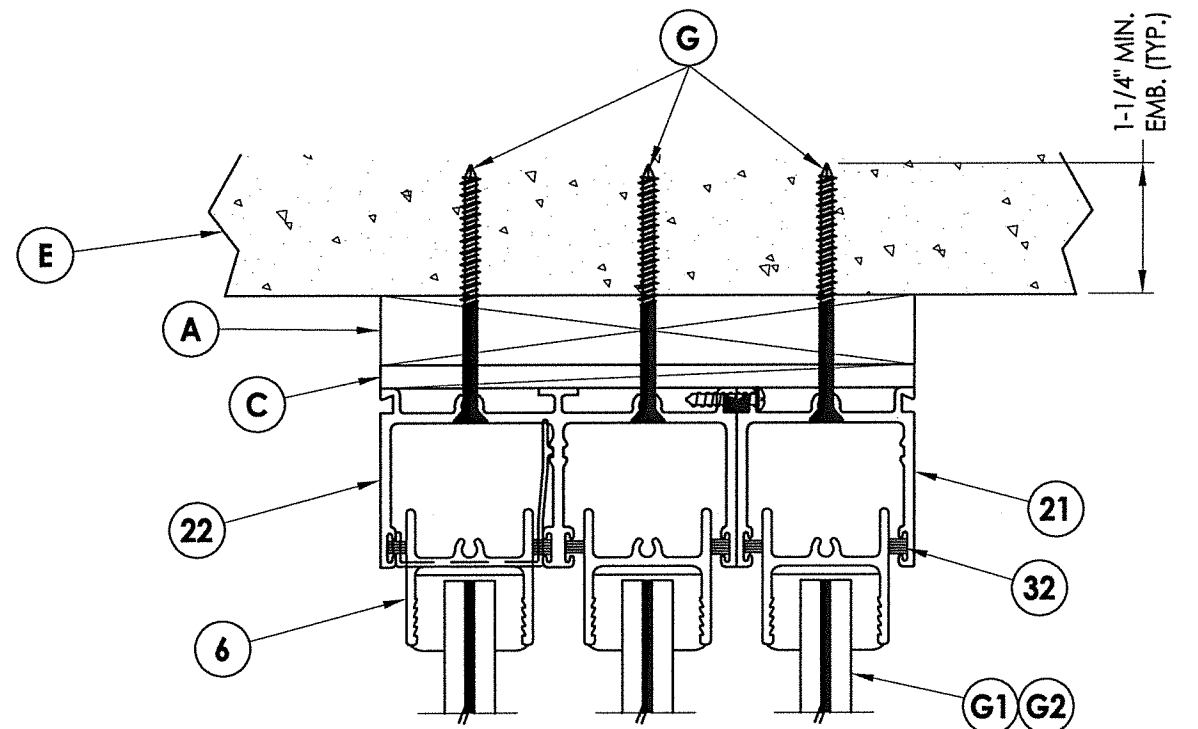
1 HORIZONTAL CROSS SECTION
3 2X Buck Construction



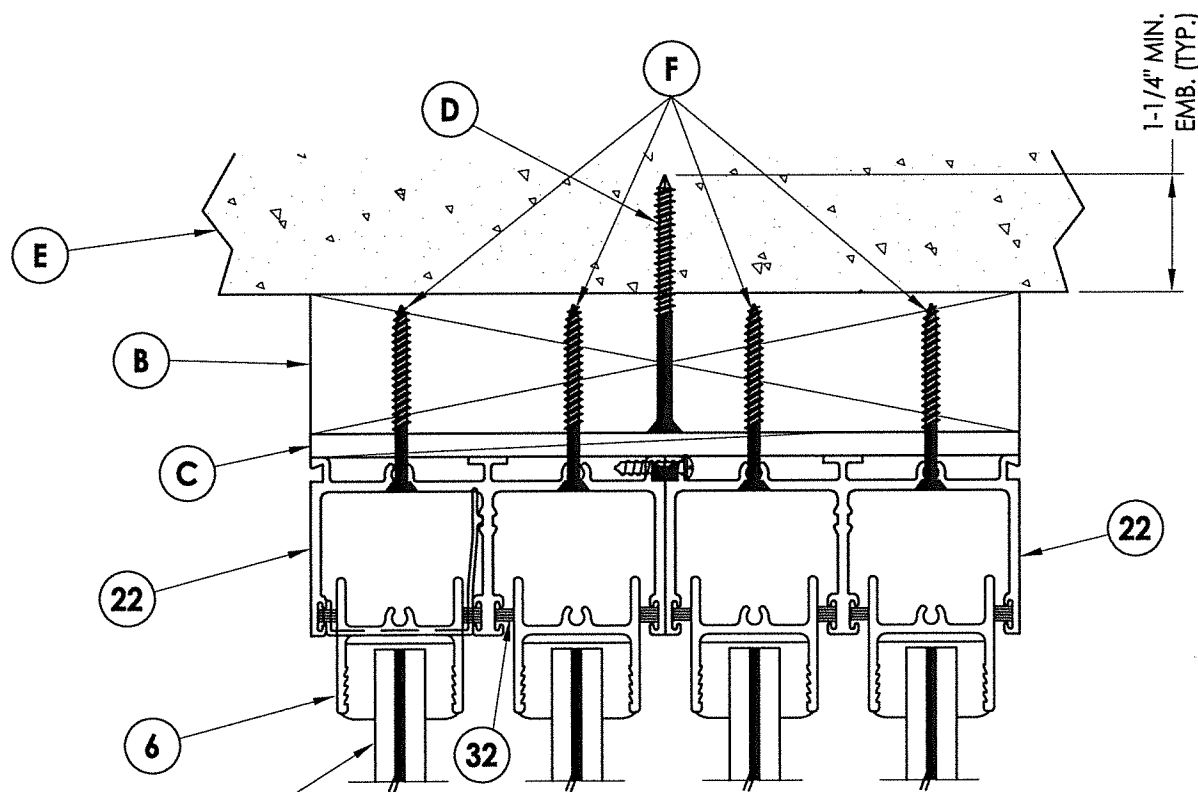
August 10, 2020
Documents Prepared By:
Lyndon F. Schmidt
P.E. No. 43409
LFS
RW BUILDING CONSULTANTS, INC.
P.O. Box 230, Valrico, FL 33595
Phone No.: 813.659.9197
FBPE Registry No. 9813

PRODUCT:		FLEETWOOD WINDOWS & DOORS	
PART OR ASSEMBLY:		HORIZONTAL CROSS SECTIONS	
DATE:	04/30/12	DAC	JK
SCALE:	N.T.S.	LFS	JK
DWG. BY:	JK	JK	JK
CHK. BY:	LFS	JK	JK
DRAWING NO.:	FL-15560.2	JK	JK
SHEET	3 OF 9	LFS	BY
REVISIONS		NO. DATE	

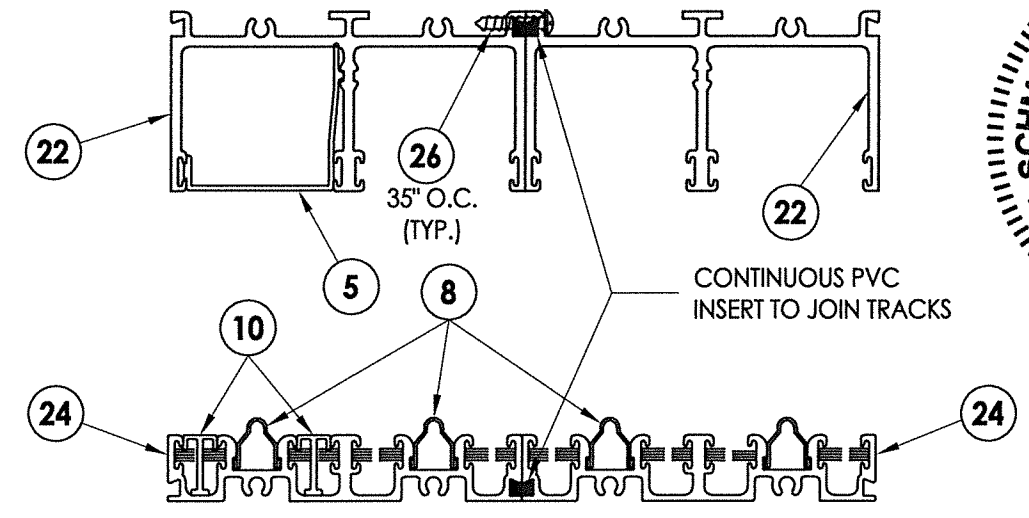
\\dc01\awb\clients\Fleetwood PERMANENTA - Florida Product Approvals\EL-15560 Sliding Patio Doors\C - Drawings\EL-15560(2020)\EL-15560.1-5.dwg



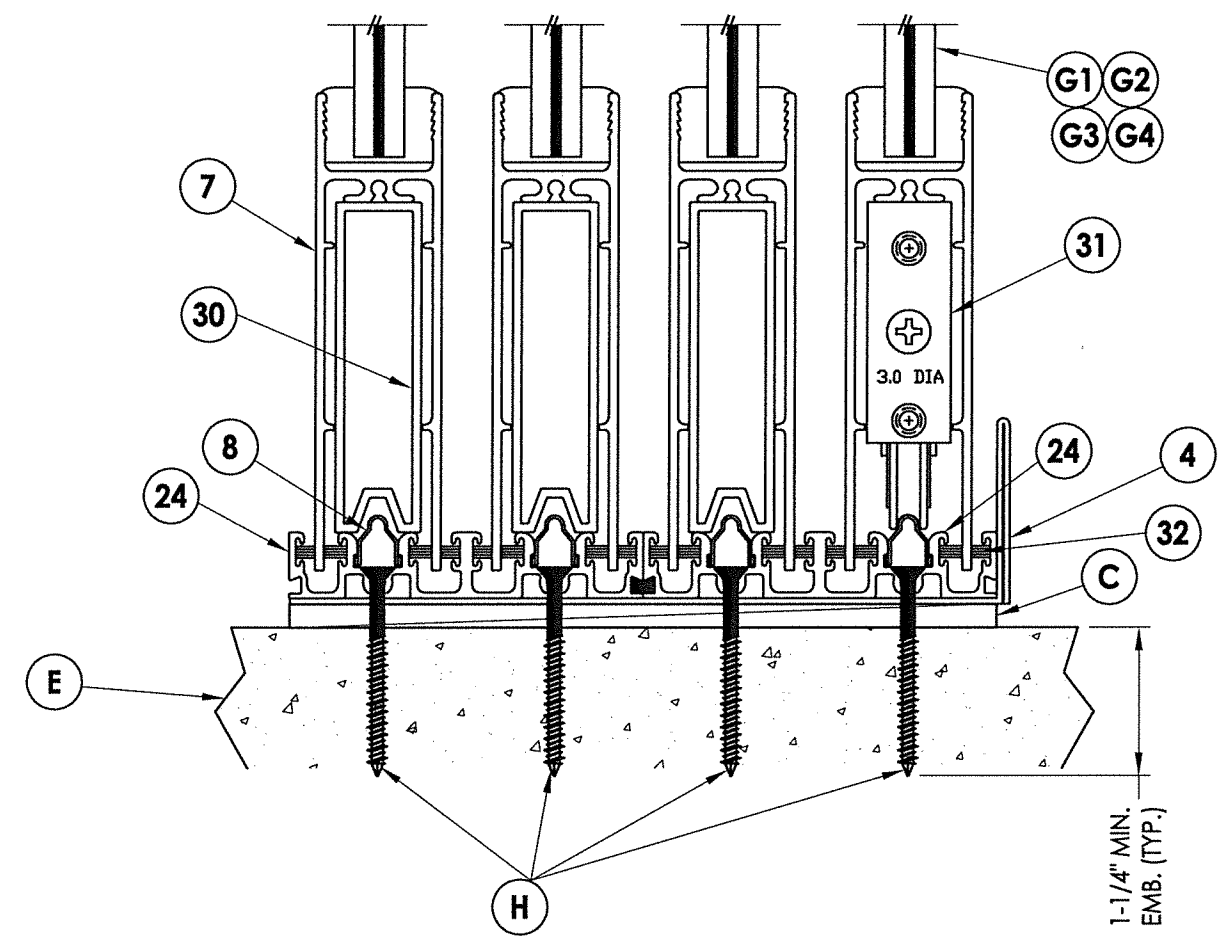
1 VERTICAL CROSS SECTION
4 1X Buck Construction
 (Shown w/ 3 tracks)



3 VERTICAL CROSS SECTION
4 2X Buck Construction
 (Shown w/ 4 tracks)

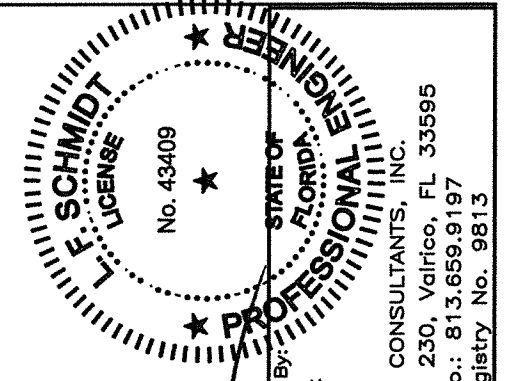


HEAD & SILL COVER CONDITION



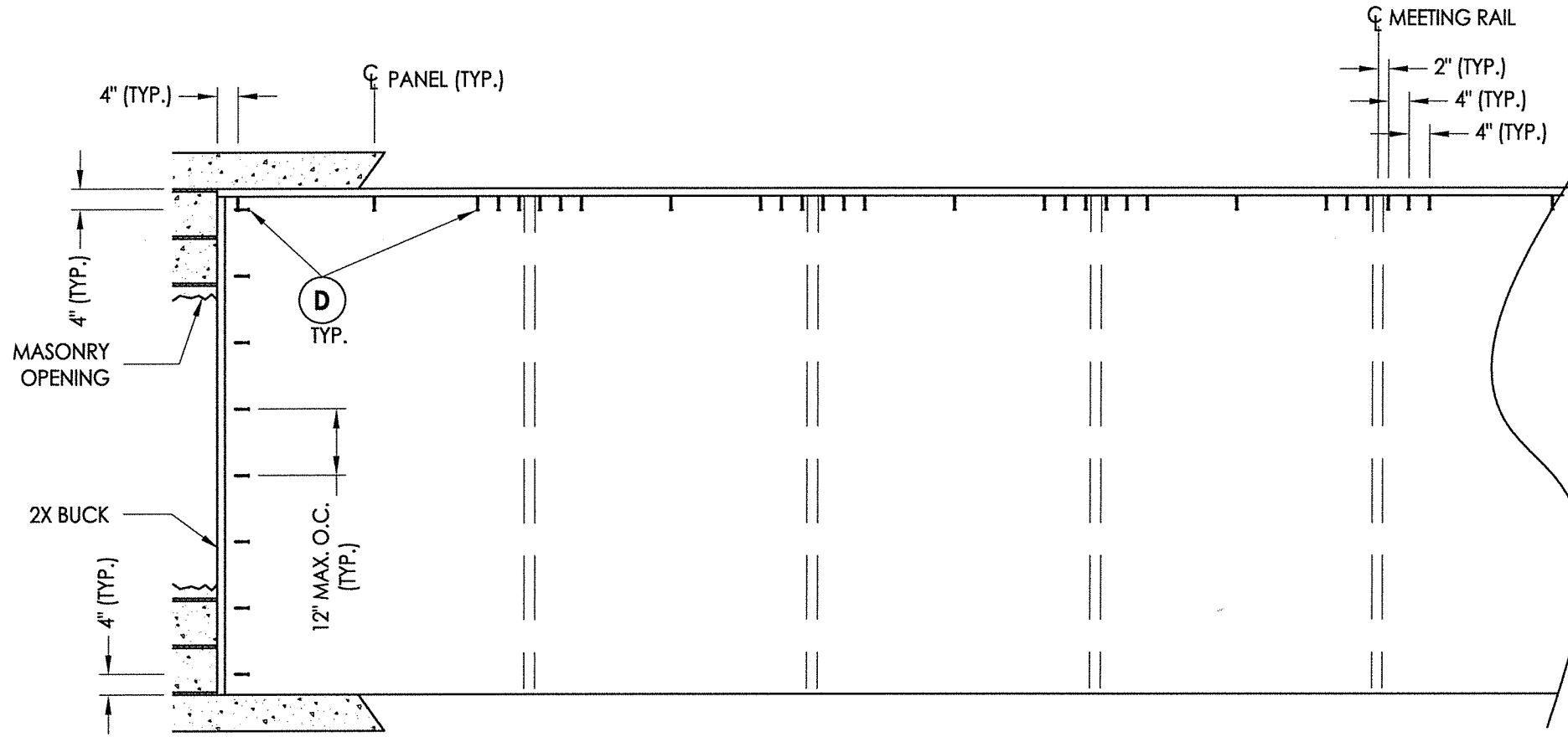
2 VERTICAL CROSS SECTION
4 Direct to masonry
 (Shown w/ 4 tracks)

NOTE:
 1. A full-depth cut-out (1\"/>



August 10, 2020
 Documents Prepared By:
 Lyndon F. Schmidt
 P.E. No. 43409
 R.W. BUILDING CONSULTANTS, INC.
 P.O. Box 230, Valrico, FL 33595
 Phone No.: 813.659.9197
 FBPE Registry No. 9813

PRODUCT:		FLEETWOOD WINDOWS & DOORS			
PART OR ASSEMBLY:		VERTICAL CROSS SECTIONS			
5	8/10/20	UPDATE TO 7th ED. (2020)	FBC	DAC	
4	08/08/17	UPDATE TO 6TH ED. (2017)	FBC	LFS	
3	8/06/15	CLARIFY MAX PANEL SIZE, REVISE G3 GLAZING & CHANGE NAME		JK	
2	04/22/15	UPDATE TO 5TH ED. (2014)	FBC	JK	
1	1/14/14	REVISED ANCHORING		LFS	
	NO.	DATE			BY
REVISIONS					
DATE: 04/30/12					
SCALE: N.T.S.					
DWG. BY: JK					
CHK. BY: LFS					
DRAWING NO.: FL-15560.2					
SHEET 4 OF 9					

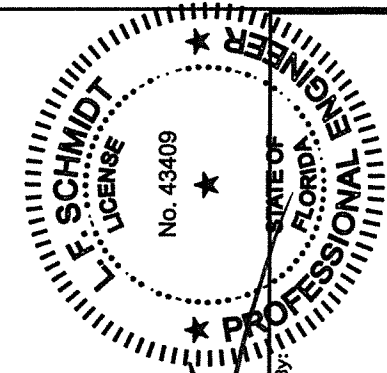


2X BUCK ANCHORING

CONCRETE ANCHOR NOTES:

- Concrete anchor locations at the corners may be adjusted to maintain the min. edge distance to mortar joints.
- Concrete anchor locations noted as "MAX. ON CENTER" must be adjusted to maintain the min. edge distance to mortar joints, additional concrete anchors may be required to ensure the "MAX. ON CENTER" dimension are not exceeded.
- Concrete anchor table:

ANCHOR TYPE	ANCHOR SIZE	MIN. EMBEDMENT	MIN. CLEARANCE TO MASONRY EDGE	MIN. CLEARANCE TO ADJACENT ANCHOR
ITW TAPCON®	1/4"	1-1/4"	2"	4"
DeWALT ULTRACON®+	1/4"	1-1/4"	2-1/2"	4"

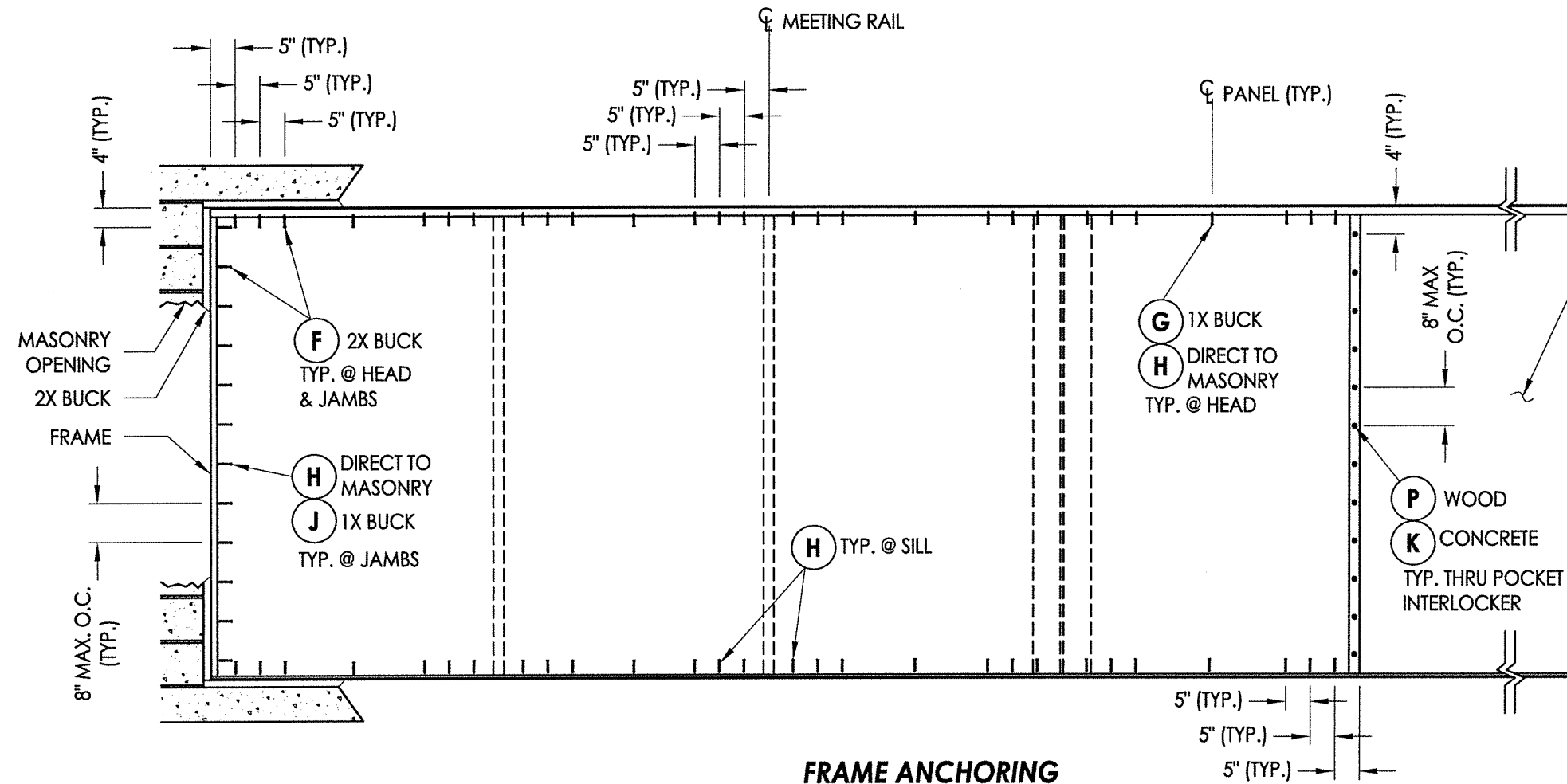


August 10, 2020
 Documents Prepared By:
 Lyndon F. Schmidt
 P.E. No. 43409

RW BUILDING CONSULTANTS, INC.
 P.O. Box 230, Valrico, FL 33595
 Phone No.: 813.659.9197
 FBPE Registry No. 9813

PRODUCT:		FLEETWOOD WINDOWS & DOORS	
PART OR ASSEMBLY:		BUCK ANCHORING	
5	8/10/20	UPDATE TO 7TH ED. (2020)	DAC
4	08/08/17	UPDATE TO 6TH ED. (2017)	LFS
3	8/06/15	CLARIFY MAX PANEL SIZE, REVISE	JK
2	04/22/15	G3 GLAZING & CHANGE NAME	JK
1	1/14/14	UPDATE TO 5TH ED. (2014)	LFS
	NO. DATE	REVISED ANCHORING	BY
		REVISIONS	
DATE: 04/30/12			
SCALE: N.T.S.			
DWG. BY: JK			
CHK. BY: LFS			
DRAWING NO.: FL-15560.2			
SHEET 5 OF 9			

\\dc01\rbwc\Clients\Fleetwood PERMANENTVA - Florida Product Approvals\FL-15560 Sliding Patio Doors\C - Drawings\FL 15560 (2020)\FL-15560.1-.5.dwg



NOTE: Pocket door area by others

FRAME ANCHORING

SLIDING GLASS POCKET DOOR

(NOTE: 1 ANCHOR REQUIRED PER TRACK @ EACH LOCATION)

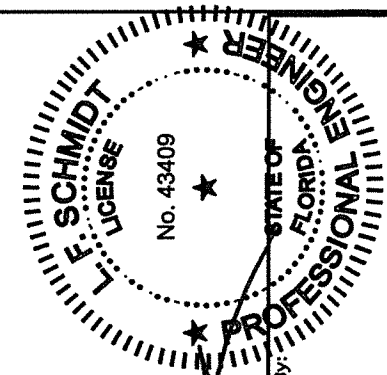
CONCRETE ANCHOR NOTES:

1. Concrete anchor locations at the corners may be adjusted to maintain the min. edge distance to mortar joints.
2. Concrete anchor locations noted as "MAX. ON CENTER" must be adjusted to maintain the min. edge distance to mortar joints, additional concrete anchors may be required to ensure the "MAX. ON CENTER" dimension are not exceeded.
3. Concrete anchor table:

ANCHOR TYPE	ANCHOR SIZE	MIN. EMBEDMENT	MIN. CLEARANCE TO MASONRY EDGE	MIN. CLEARANCE TO ADJACENT ANCHOR
ITW TAPCON®	3/16"	1-1/4"	2"	1-7/8"
DeWALT ULTRACON+®	1/4"	1-1/4"	1"	6"

WOOD SCREW INSTALLATION NOTES:

1. Maintain a minimum 3/4" edge distance, 1" end distance, & 1" o.c. spacing of wood screws to prevent the splitting of wood.

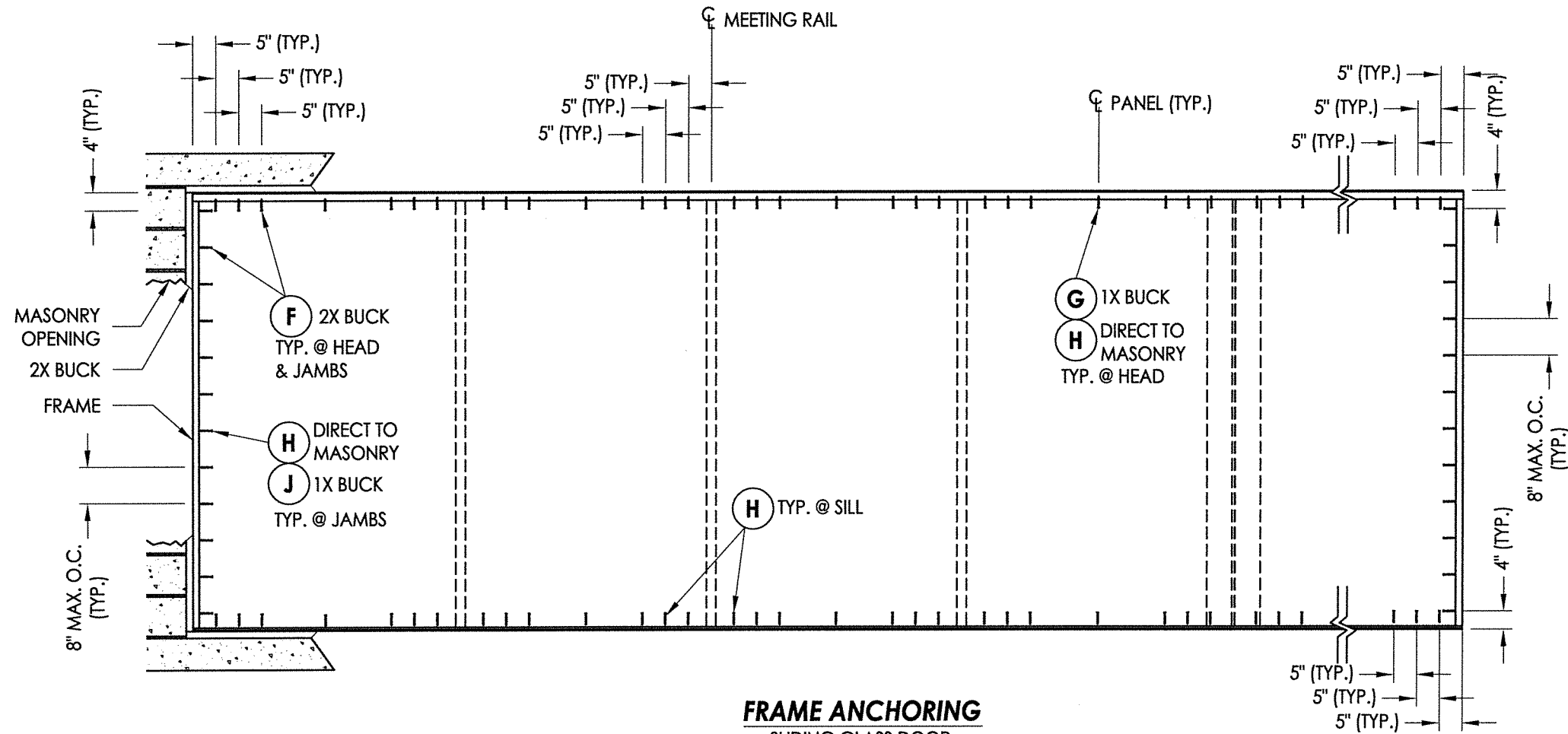


August 10, 2020

Documents Prepared By:
Lyndon F. Schmidt
P.E. No. 43409

R.W. BUILDING CONSULTANTS, INC.
P.O. Box 230, Valrico, FL 33595
Phone No.: 813.659.9197
FBPE Registry No. 9813

PRODUCT:	FLEETWOOD WINDOWS & DOORS		
PART OR ASSEMBLY:	FRAME ANCHORING		
DAC	JK		
FBC	JK		
REVISION	BY		
5	8/10/20	UPDATE TO 7TH ED. (2020)	JK
4	08/08/17	UPDATE TO 6TH ED. (2017)	JK
3	8/06/15	CLARIFY MAX PANEL SIZE, REVISE	JK
2	04/22/15	G3 GLAZING & CHANGE NAME	JK
1	1/14/14	UPDATE TO 5TH ED. (2014)	JK
		REVISED ANCHORING	LFS
			BY
			REVISIONS
DATE:		04/30/12	
SCALE:		N.T.S.	
DWG. BY:		JK	
CHK. BY:		LFS	
DRAWING NO.:		FL-15560.2	
SHEET		6 OF 9	



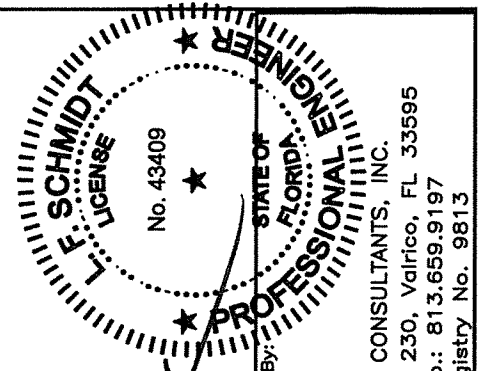
FRAME ANCHORING
SLIDING GLASS DOOR

(NOTE: 1 ANCHOR REQUIRED PER TRACK @ EACH LOCATION)

CONCRETE ANCHOR NOTES:

1. Concrete anchor locations at the corners may be adjusted to maintain the min. edge distance to mortar joints.
2. Concrete anchor locations noted as "MAX. ON CENTER" must be adjusted to maintain the min. edge distance to mortar joints, additional concrete anchors may be required to ensure the "MAX. ON CENTER" dimension are not exceeded.
3. Concrete anchor table:

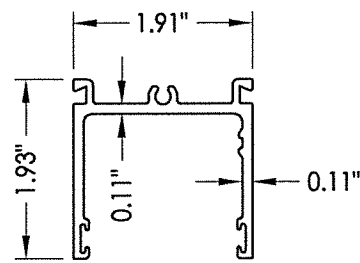
ANCHOR TYPE	ANCHOR SIZE	MIN. EMBEDMENT	MIN. CLEARANCE TO MASONRY EDGE	MIN. CLEARANCE TO ADJACENT ANCHOR
ITW TAPCON®	3/16"	1-1/4"	2"	1-7/8"



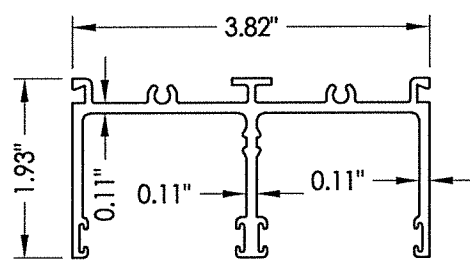
August 10, 2020
 Documents Prepared By:
 Lyndon F. Schmidt
 P.E. No. 43409
 RW BUILDING CONSULTANTS, INC.
 P.O. Box 230, Valrico, FL 33595
 Phone No.: 813.659.9197
 FBPE Registry No. 9813

PRODUCT:		FLEETWOOD WINDOWS & DOORS	
PART OR ASSEMBLY:		FRAME ANCHORING	
DAC	UPDATE TO 7TH ED. (2020)	FBC	BY
LFS	UPDATE TO 6TH ED. (2017)	FBC	JK
JK	CLARIFY MAX. PANEL SIZE, REVISE G3 GLAZING & CHANGE NAME		
JK	UPDATE TO 5TH ED. (2014)	FBC	
LFS	REVISED ANCHORING		
NO.	DATE	REVISIONS	
5	8/10/20	UPDATE TO 7TH ED. (2020)	
4	08/08/17	UPDATE TO 6TH ED. (2017)	
3	8/06/15	CLARIFY MAX. PANEL SIZE, REVISE G3 GLAZING & CHANGE NAME	
2	04/22/15	UPDATE TO 5TH ED. (2014)	
1	1/14/14	REVISED ANCHORING	
DATE: 04/30/12		SCALE: N.T.S.	
DWG. BY: JK		CHK. BY: LFS	
DRAWING NO.: FL-15560.2		SHEET 7 OF 9	

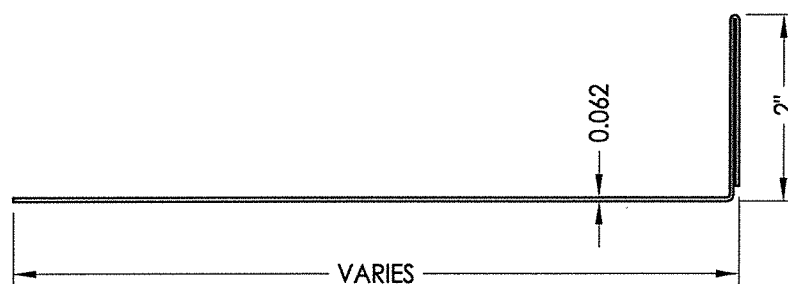
\\dc01\wbc\clients\Fleetwood PERMANENTVA - Florida Product Approvals\FL-15560 Sliding Patio Doors\C - Drawings\FL 15560 (2020)\FL-15560.1-5.dwg



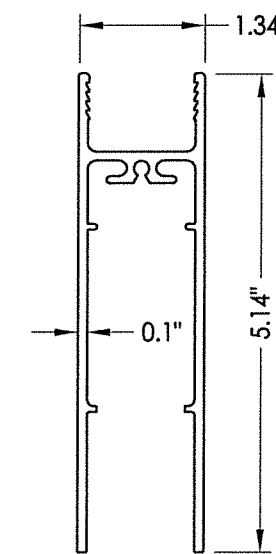
21 HEAD TRACK
1 Run



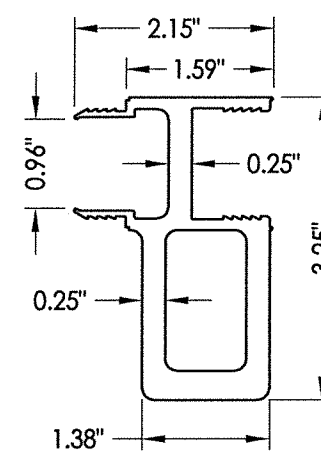
22 HEAD TRACK
2 Runs



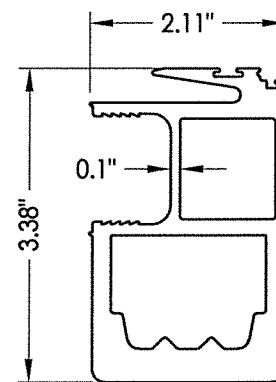
4 SILL PAN



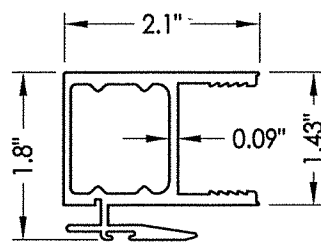
7 BOTTOM RAIL



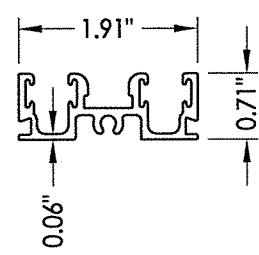
13 WINDLOAD ADAPTER



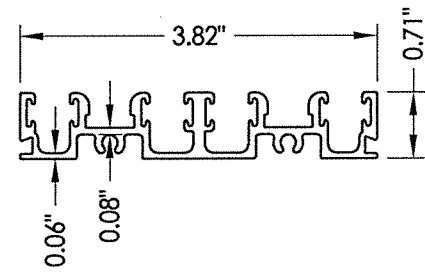
12 INTERLOCK STILE
High Performance



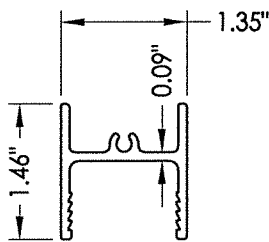
11 INTERLOCK STILE
Standard



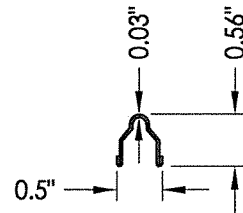
23 SILL TRACK
1 Run



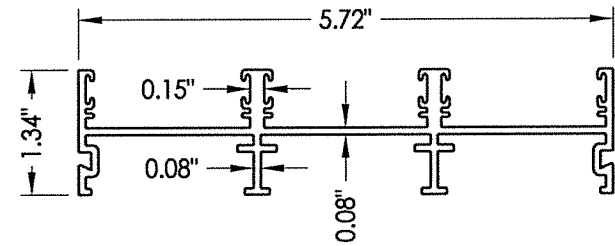
24 SILL TRACK
2 Runs



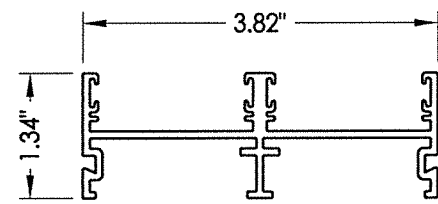
6 TOP RAIL



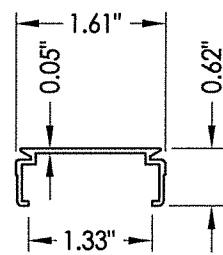
8 TRACK



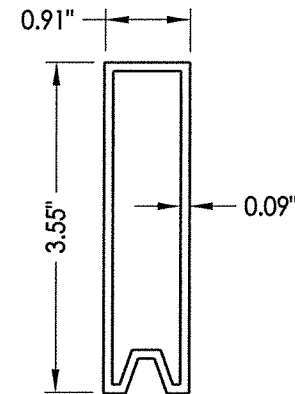
3 JAMB TRACK
3 Runs



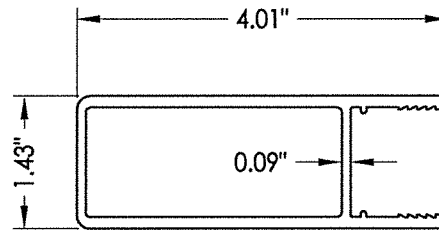
3A JAMB TRACK
2 Runs



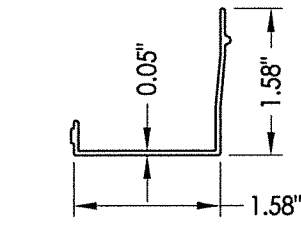
15 JAMB CHANNEL FILLER



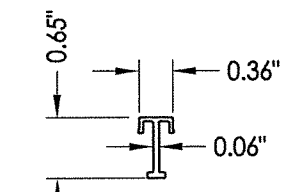
30 PANEL SETTING BLOCK



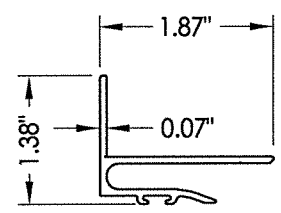
9 STILE



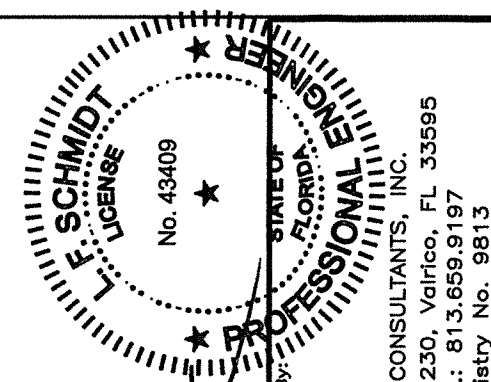
5 HEAD CHANNEL FILLER



10 SILL CHANNEL FILLER



16 POCKET INTERLOCKER



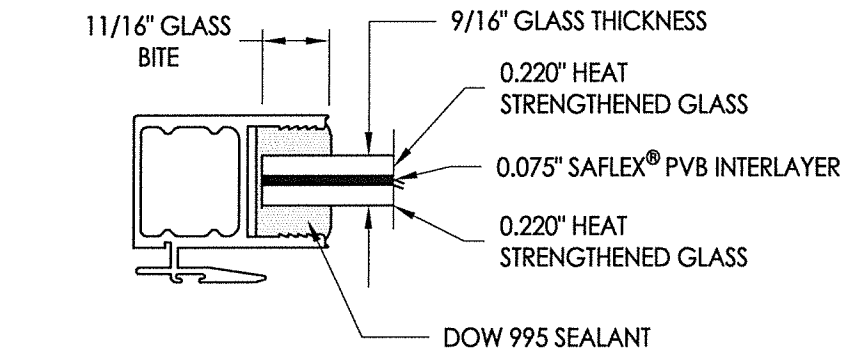
August 10, 2020
 Documents Prepared By:
 Lyndon F. Schmidt
 P.E. No. 43409
 R.W. BUILDING CONSULTANTS, INC.
 P.O. Box 230, Valrico, FL 33595
 Phone No.: 813.659.9197
 FBPE Registry No. 9813

PRODUCT:		FLEETWOOD WINDOWS & DOORS			
PART OR ASSEMBLY:		COMPONENTS			
NO.	DATE	REVISIONS			
5	8/10/20	UPDATE TO 7th ED. (2020)	FBC	DAC	
4	08/08/17	UPDATE TO 6TH ED. (2017)	FBC	LFS	
3	8/06/15	CLARIFY MAX PANEL SIZE, REVISE G3 GLAZING & CHANGE NAME	REVISE	JK	
2	04/22/15	UPDATE TO 5TH ED. (2014)	FBC	JK	
1	1/14/14	REVISED ANCHORING		LFS	
				BY	

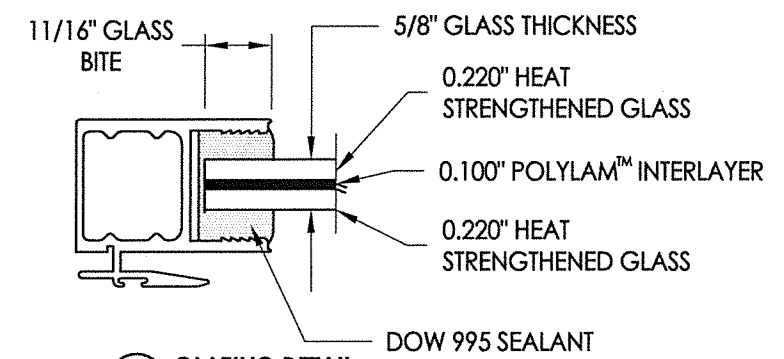
DATE: 04/30/12
 SCALE: N.T.S.
 DWG. BY: JK
 CHK. BY: LFS
 DRAWING NO.: FL-15560.2
 SHEET 8 OF 9

\\dc01\rbcc\clients\Fleetwood PERMANENTVA - Florida Product Approvals\FL-15560 Sliding Patio Doors\C - Drawings\FL 15560 (2020)\FL-15560.1-.5.dwg

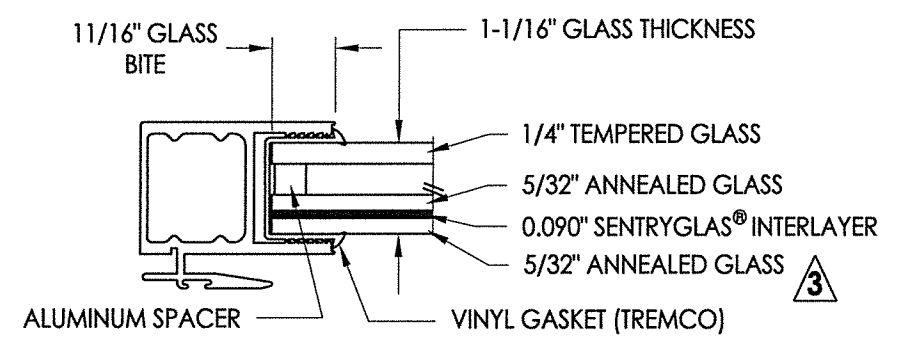
BILL OF MATERIALS		
ITEM #	DESCRIPTION	MATERIAL
A	1X BUCK SG >= 0.55	WOOD
B	2X BUCK SG >= 0.55	WOOD
C	1/4" MAX. SHIM SPACE	-
D	1/4" X 2-3/4" DeWALT OR ITW PFH CONCRETE SCREW	STEEL
E	MASONRY - 3,000 PSI MIN. CONCRETE CONFORMING TO ACI 301 OR HOLLOW BLOCK CONFORMING TO ASTM C90	CONCRETE
F	#10 X 2" PFH SMS (1" MIN. EMBEDMENT)	STEEL
G	3/16" X 2-3/4" ITW PFH CONCRETE SCREW	STEEL
H	3/16" X 2-1/4" ITW PFH CONCRETE SCREW	STEEL
J	3/16" X 3-1/4" ITW PFH CONCRETE SCREW	STEEL
K	1/4" X 1- 3/4" DeWALT PFH CONCRETE SCREW	STEEL
L	#8 X 1/2" PFH SMS	STEEL
P	#10 X 2" PFH SMS (1-1/2" MIN. EMBEDMENT)	STEEL
3	JAMB TRACK (3 RUNS)	6063-T6 ALUM
3A	JAMB TRACK (2 RUNS)	6063-T6 ALUM
4	SILL PAN (TRIPLE RUN)	5052 -ALUM
5	HEAD CHANNEL FILLER	6063-T6 ALUM
6	TOP RAIL	6063-T6 ALUM
7	BOTTOM RAIL	6063-T6 ALUM
8	TRACK	S.S.
9	STILE	6063-T6 ALUM
10	SILL CHANNEL FILLER	6063-T6 ALUM
11	STANDARD INTERLOCK STILE	6063-T6 ALUM
12	HIGH PERFORMANCE INTERLOCK STILE	6063-T6 ALUM
13	WINDLOAD ADAPTER	6063-T6 ALUM
15	JAMB CHANNEL FILLER	6063-T6 ALUM
16	POCKET INTERLOCKER	6063-T6 ALUM
21	HEAD TRACK (1 RUN)	6063-T6 ALUM
22	HEAD TRACK (2 RUNS)	6063-T6 ALUM
23	SILL TRACK (1 RUN)	6063-T6 ALUM
24	SILL TRACK (2 RUNS)	6063-T6 ALUM
26	#8 X 3/4" PPH SMS	STEEL
27	PRIMARY LATCH	-
28	SECONDARY LATCH	-
29	HANDLE SET	-
30	PANEL SETTING BLOCK	6063-T6 ALUM
31	MAMMOTH ROLLER ASSEMBLY	-
32	CENTER-FIN WEATHERSEAL .290 HIGH PILE (AMESBURY 43629-270)	-
33	HEAVY DENSITY WEATHERSEAL .300 HIGH PILE (AMESBURY 413330-270)	-



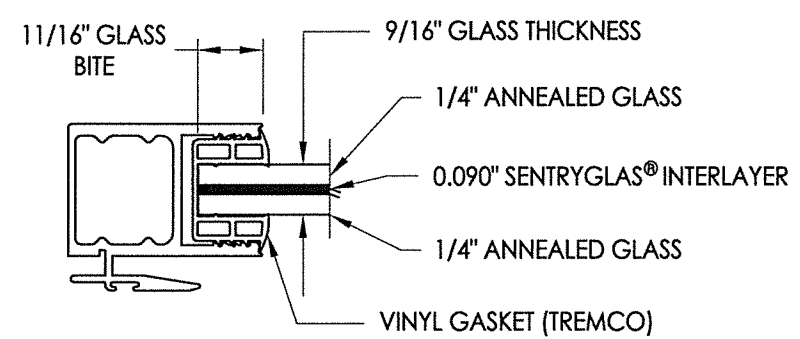
G1 GLAZING DETAIL
StormGlass™ by Oldcastle Glass



G2 GLAZING DETAIL
Safety-Plus II by Glaslam



G3 GLAZING DETAIL
Dry Seal



G4 GLAZING DETAIL
Dry Seal

NOTE: GLAZING > 36" WIDE REQUIRES AT LEAST TWO (2) SETTING BLOCKS CONFORMING TO FBC SECTION 2411.3.3.1.

August 10, 2020
 Documents Prepared By:
 Lyndon F. Schmidt
 P.E. No. 43409

R.W.
 BUILDING CONSULTANTS, INC.
 P.O. Box 230, Valrico, FL 33595
 Phone No.: 813.659.9197
 FBPE Registry No. 9813

PRODUCT:		FLEETWOOD WINDOWS & DOORS	
PART OR ASSEMBLY:		BILL OF MATERIALS AND GLAZING DETAILS	
DAC	LFS	JK	JK
8/10/20	8/08/17	8/06/15	04/22/15
UPDATE TO 7th ED. (2020)	UPDATE TO 6TH ED. (2017)	CLARIFY MAX PANEL SIZE, REVISE G3 GLAZING & CHANGE NAME	UPDATE TO 5TH ED. (2014)
FBC	FBC	REVISE	FBC
JK	JK	JK	LFS
BY	BY	BY	BY
NO.	DATE	NO.	DATE
1	1/14/14	1	1/14/14
REVISIONS			
DATE:	04/30/12		
SCALE:	N.T.S.		
DWG. BY:	JK		
CHK. BY:	LFS		
DRAWING NO.:	FL-15560.2		
SHEET	9	OF	9

© 2012 R.W. BUILDING CONSULTANTS INC.