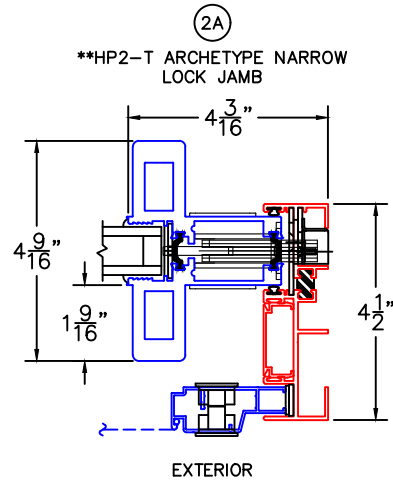
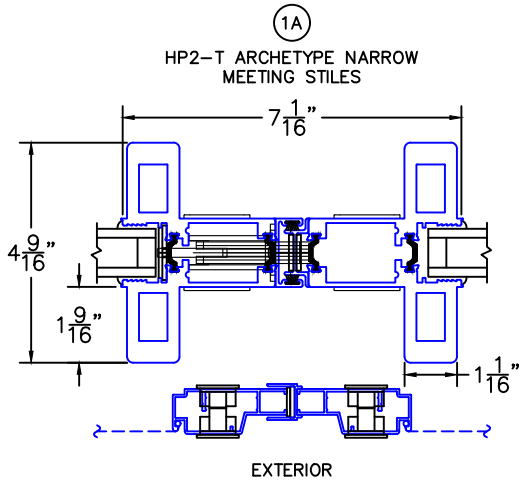
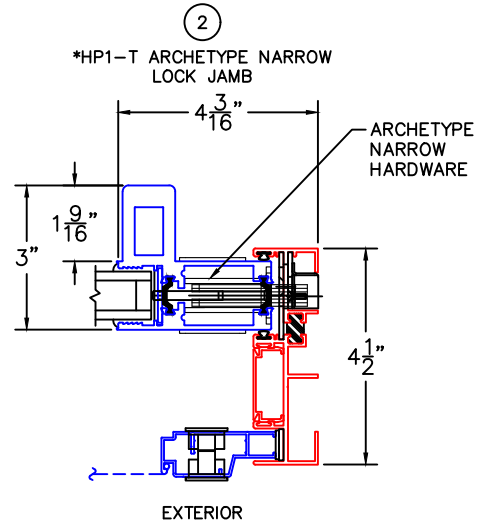
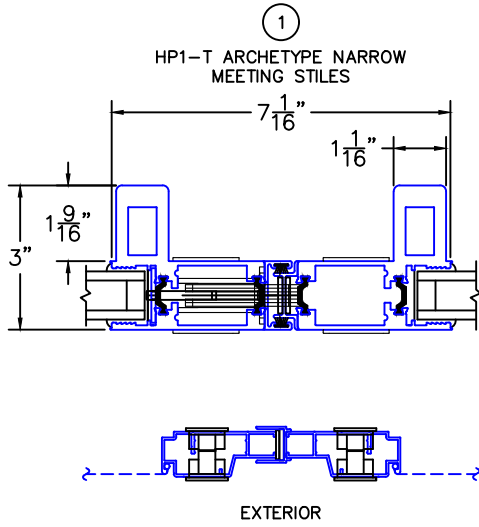




OPTIONS AND UPGRADES

(USE RULER TO SCALE DIMENSIONS IN INCHES)  
SCALE: 1/4



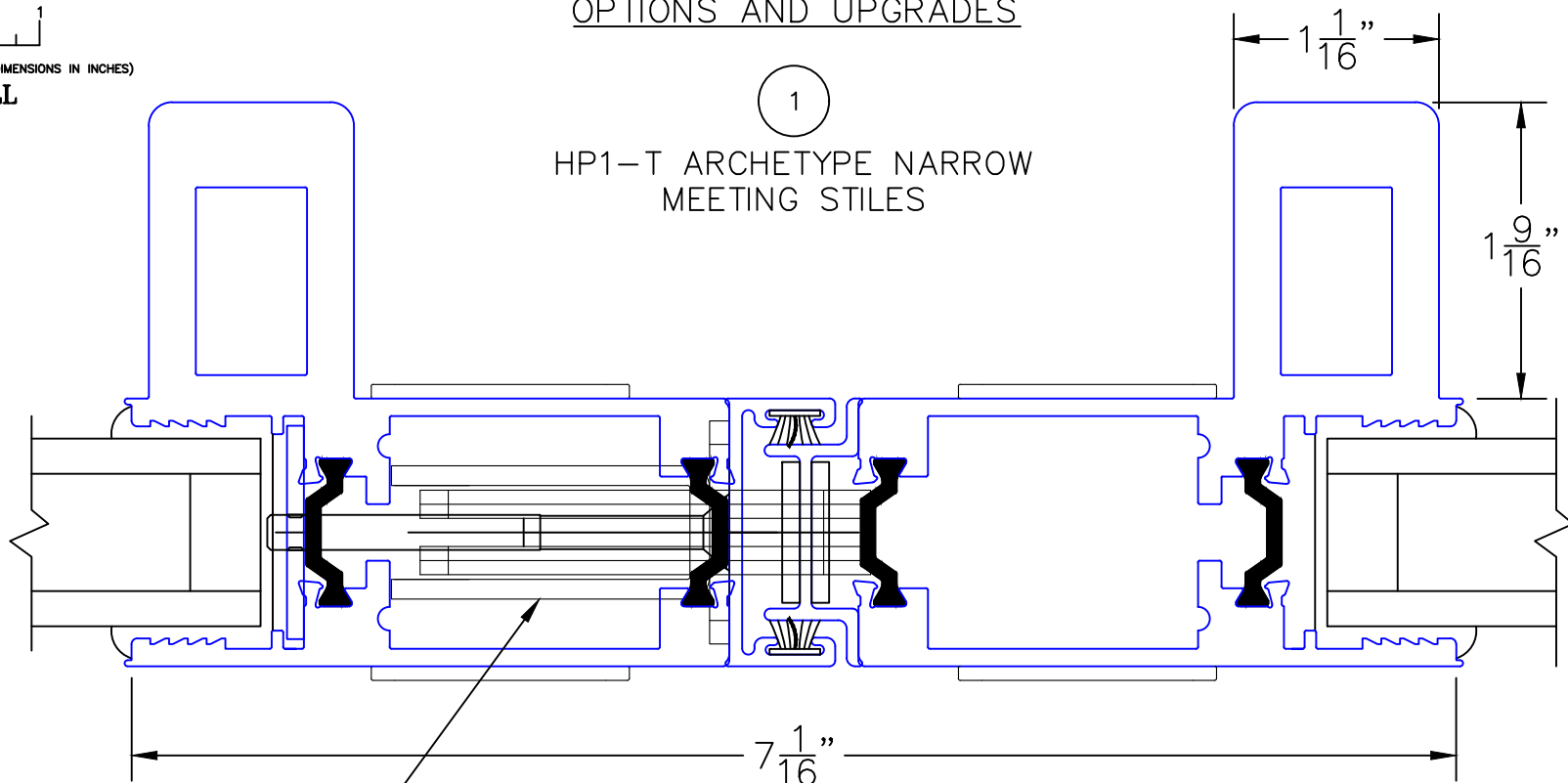
-GLASS PENETRATION: 11/16"  
-\*HP1-T ARCHETYPE NARROW LOCK JAMB: KEYED CYLINDER OPPOSITE HP ONLY.  
-\*\*HP2-T ARCHETYPE NARROW LOCK JAMB: NO KEYED CYLINDER.

## OPTIONS AND UPGRADES

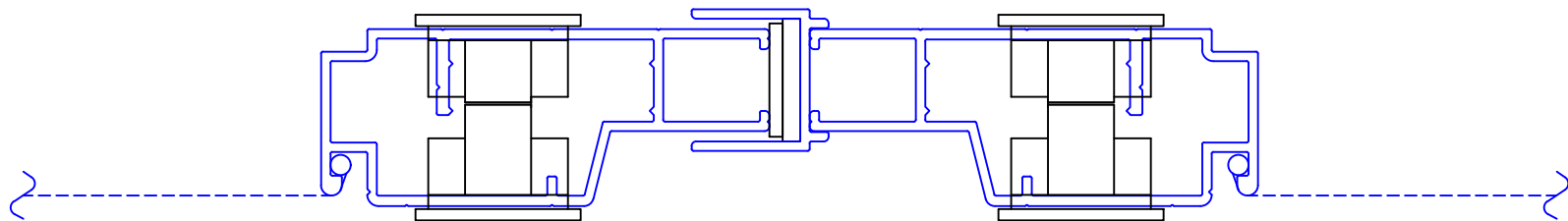
0 0.5 1  
(USE RULER TO SCALE DIMENSIONS IN INCHES)  
**SCALE: FULL**

1

HP1-T ARCHETYPE NARROW  
MEETING STILES

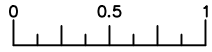


ARCHETYPE  
NARROW HARDWARE



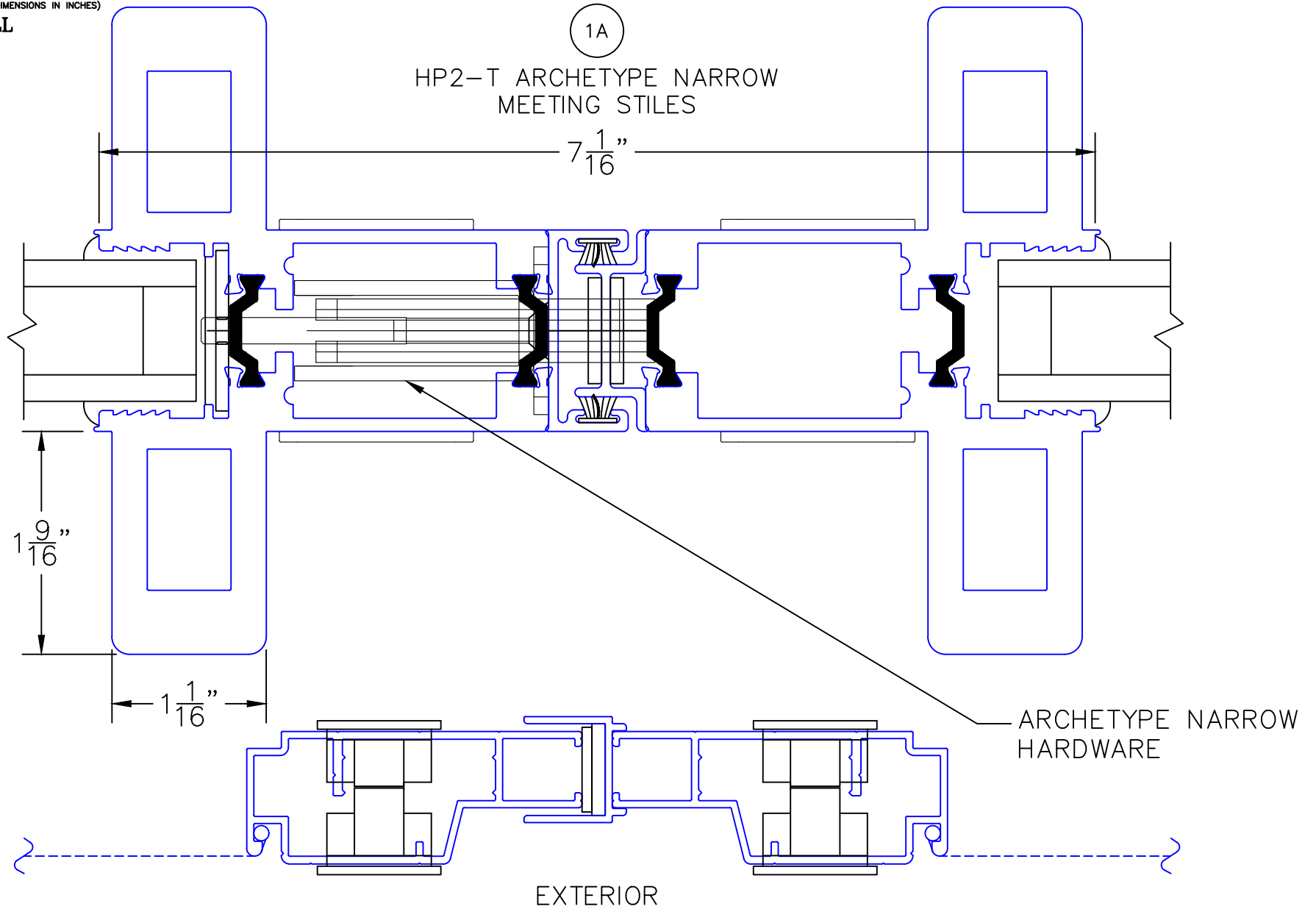
EXTERIOR

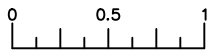
## OPTIONS AND UPGRADES



(USE RULER TO SCALE DIMENSIONS IN INCHES)

SCALE: FULL





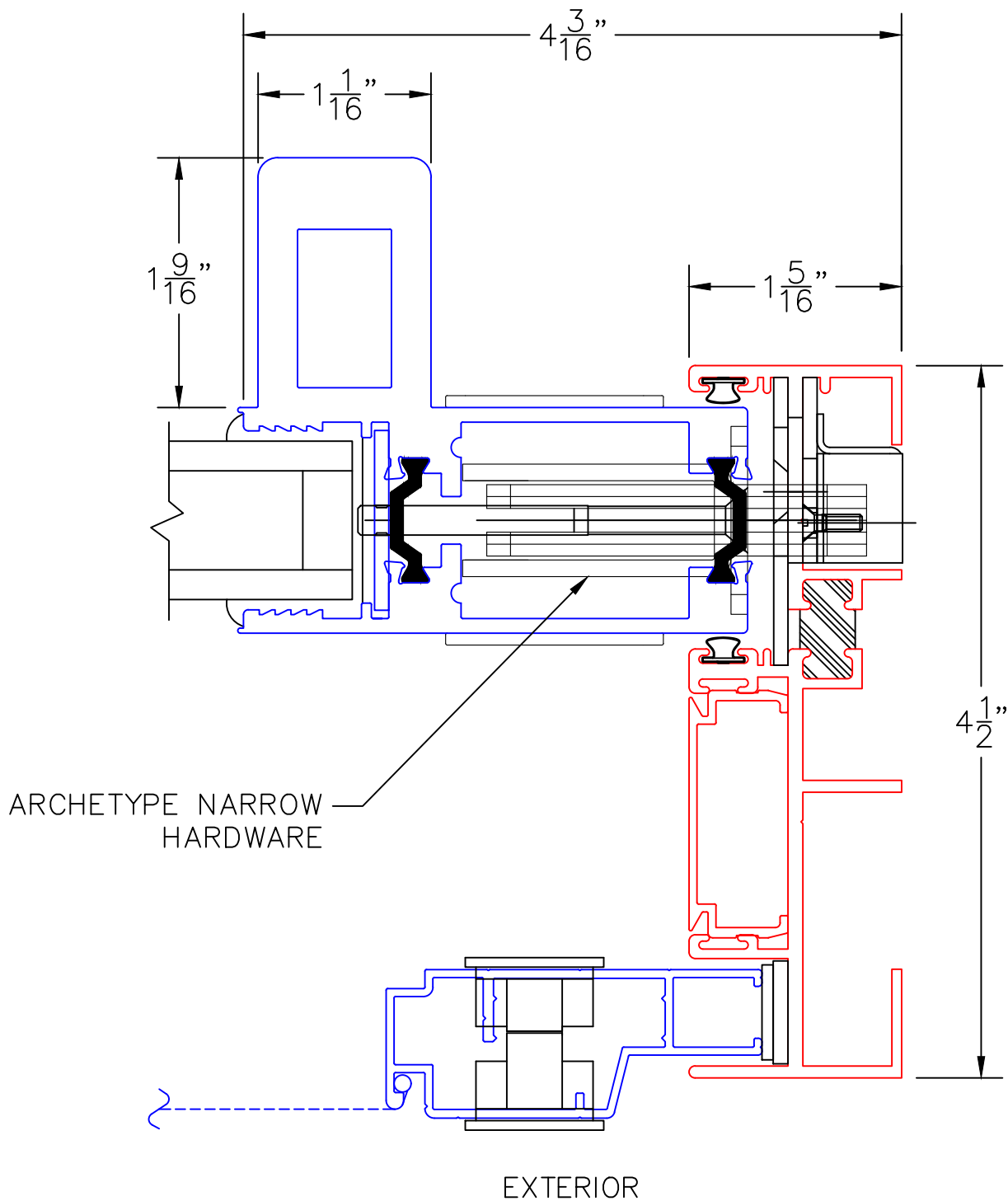
(USE RULER TO SCALE DIMENSIONS IN INCHES)

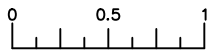
**SCALE: FULL**

OPTIONS AND UPGRADES

2

HP1-T ARCHETYPE NARROW  
LOCK JAMB





(USE RULER TO SCALE DIMENSIONS IN INCHES)

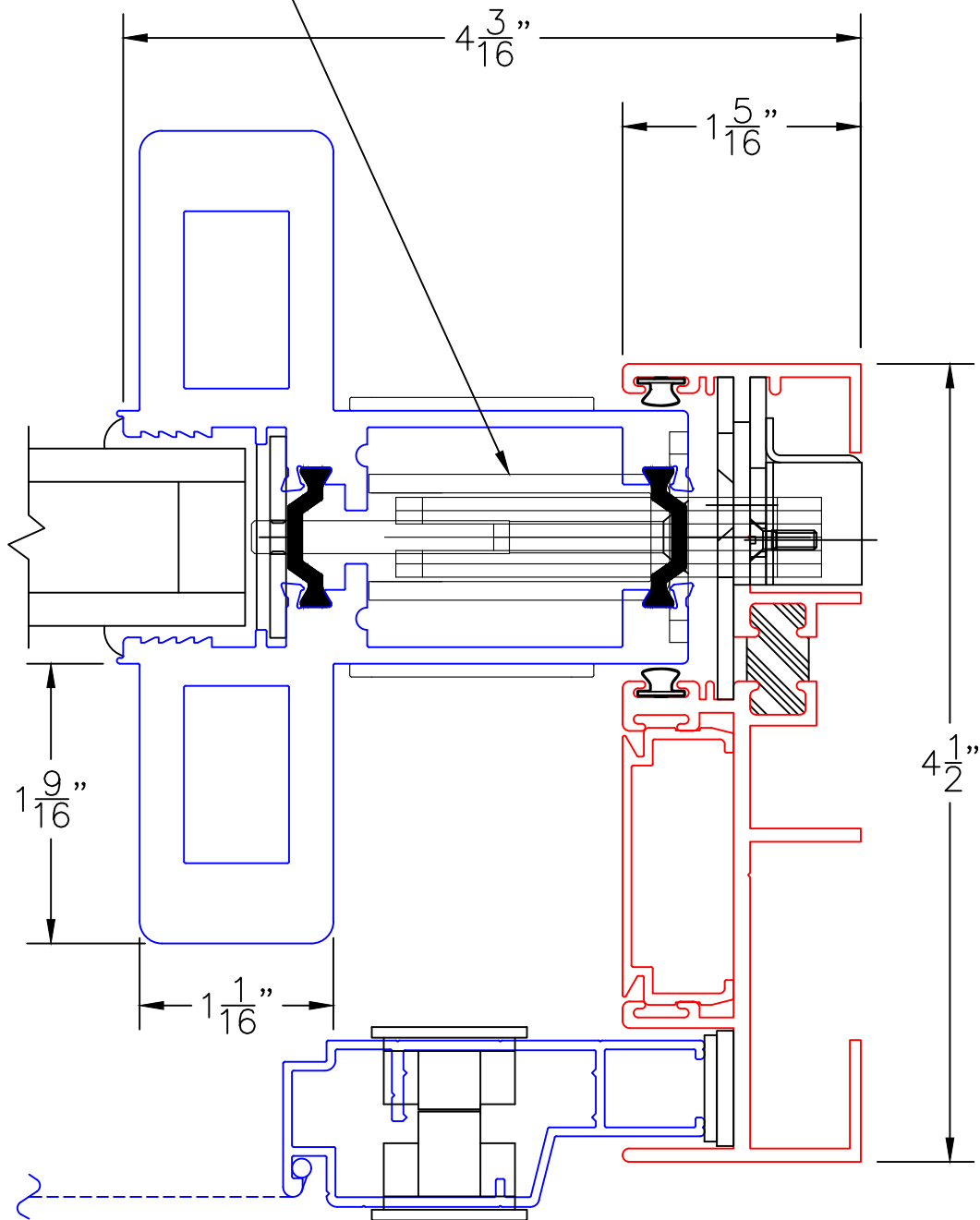
**SCALE: FULL**

OPTIONS AND UPGRADES

2A

HP2-T ARCHETYPE NARROW  
LOCK JAMB

ARCHETYPE NARROW  
HARDWARE



EXTERIOR