

I. Applications:

For Awnings and Casements when an operator needs to be replaced.

II. Tools Required:

Phillips screwdriver (or drill with Phillips bit), T25 bit (Casement), T20 bit (Awning).

III. Removal / Installation Instructions:

1. Open the window.
2. On the underside of the vent, remove the (2x) Phillips screws from the track(s). Slide the track off of the operator (Figure 1).

Caution: With the track removed, the vent may move freely.

3. Remove the Torx Fastening screws from the operator, 2 for awning, 4 for casement (Figure 2). Additional opening of the vent may be required.
4. The operator can now be removed.
5. To reinstall follow steps 1-4 in reverse, Ensure the gasket [sits between the operator and the frame] is properly aligned, if the gasket is not placed properly leaking may occur (Figure 3).

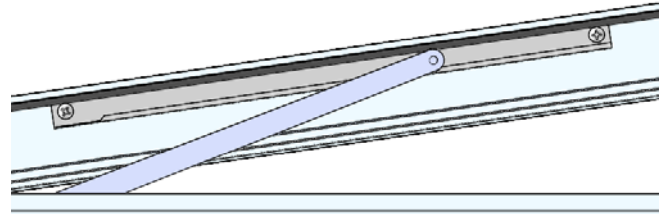


Figure 1:
Track Location (Casement Shown)

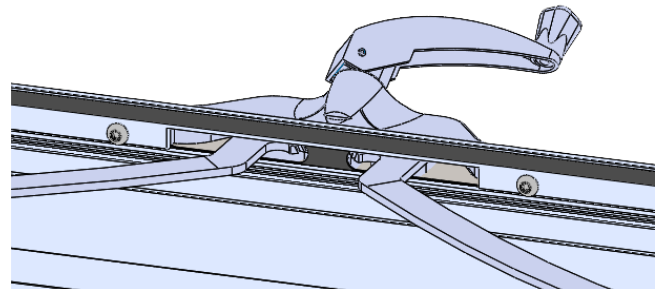


Figure 2:
Fastening Screws (Awning Shown)

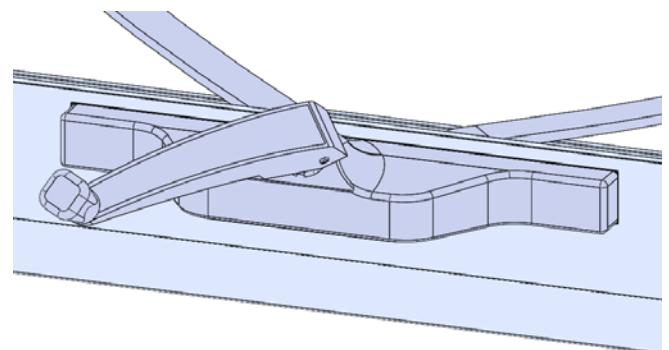


Figure 3:
Gasket Alignment