

**LESS THAN 90° OUTSIDE CORNER WINDOW:  
NAIL-FIN FRAMES**

330-T, 350-T, 450-T, 3800-T & 4800-T

U:\Cadfiles\_Admin\Products\Windows

CUSTOMER:

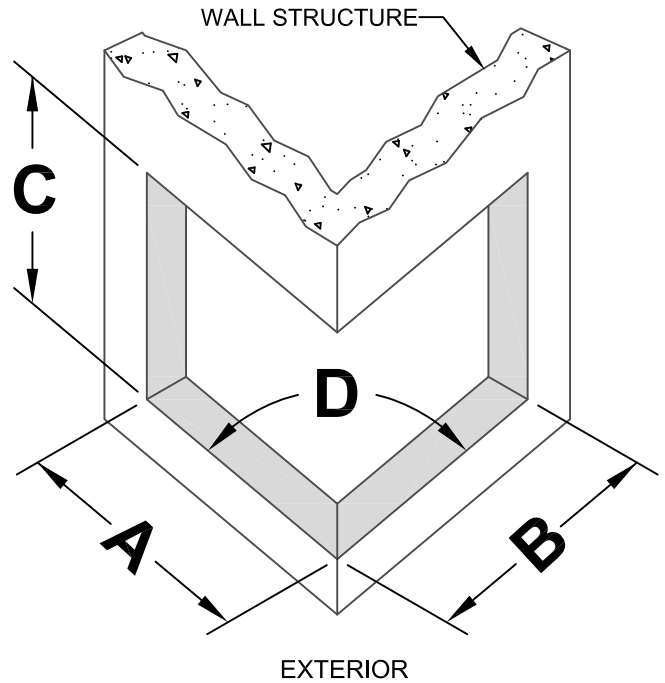
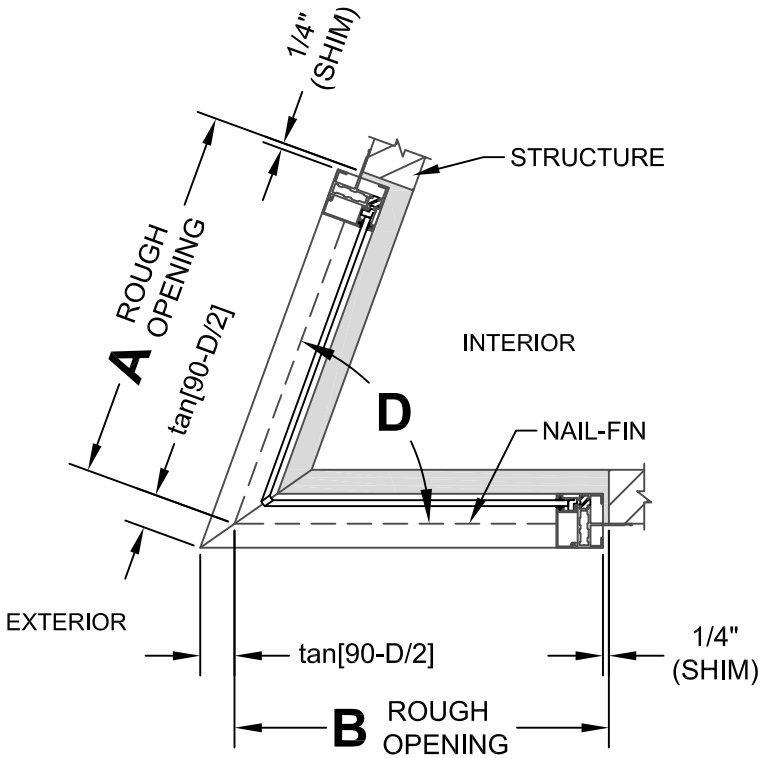
ORDER NO.:

SERIES:

ITEM NO.:

PLAN VIEW  
SERIES 350-T SHOWN

ISOMETRIC VIEW  
GREATER THAN 90°  
OUTSIDE CORNER STRUCTURE



CUSTOMER TO FILL IN

**D** ANGLE: \_\_\_\_\_

†IMPORTANT: 450-T SHIM SPACE VARIES

INSTRUCTIONS: ENTER THE (3) R.O. DIMENSIONS AND (1) ANGLE  
IN THE TABLES. **ENTER BUILDING EXTERIOR DIMENSIONS ONLY!**

| CUSTOMER TO FILL IN |                        | FLEETWOOD TO FILL IN           |                               |
|---------------------|------------------------|--------------------------------|-------------------------------|
| DIM. REF.           | CUSTOMER ROUGH OPENING | *FRAME ADD AND (C) SHIM DEDUCT | FLEETWOOD NET FRAME DIMENSION |
| <b>A</b>            |                        | + *                            | =                             |
| <b>B</b>            |                        | + *                            | =                             |
| <b>C</b>            |                        | - .50 <sup>†</sup>             | =                             |

ENG. REF.:  $TAN[90-D/2] - (1/4" \text{ SHIM}) = *FRAME \text{ ADD}$

CUSTOMER SIGNATURE:

DATE: