

**INSIDE (CONCAVE) CURVED WINDOW  
NAIL-FIN FRAME DIMENSIONAL LAYOUT  
(FROM BUILDING EXTERIOR)**

CUSTOMER:

ORDER NO.:

SERIES:

ITEM NO.:

CUSTOMER  
SPECIFIED:

NOTE: PLEASE PROVIDE AT LEAST (2) OF THE (3) REQUIRED NAIL-FIN DIMENSIONS.

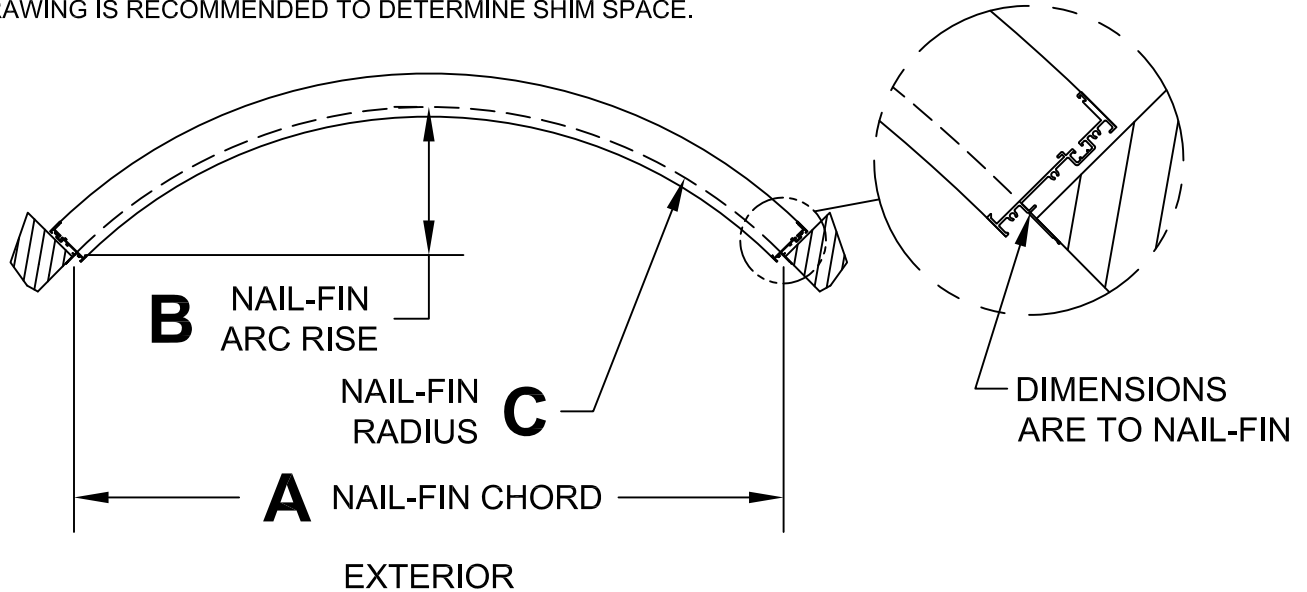
<b>A: CHORD</b>	<b>B: ARC RISE</b>	<b>C: RADIUS</b>

**EXAMPLE SHOWN: SERIES 3800-T**

**INSIDE (CONCAVE) CURVE - NAIL-FIN FRAME**

CAUTION:

INSIDE CURVE NAIL-FIN WINDOWS MAY REQUIRE EXTRA SHIM SPACE AT JAMBS FOR WINDOW INSTALLATION. A DRAWING IS RECOMMENDED TO DETERMINE SHIM SPACE.



CUSTOMER SIGNATURE:

DATE: