

FOR ILLUSTRATION ONLY

IMPORTANT NOTES:

- FLEETWOOD WILL NOT USE THESE DRAWINGS TO PRODUCE PRODUCT. THE DEALER IS SOLELY RESPONSIBLE TO MAKE SURE THE CONFIRMED ORDER TO THE FACTORY REFLECTS THE INFORMATION HEREIN.
- INSTALLATION:** THESE DRAWINGS ARE NOT INTENDED TO BE USED AS INSTALLATION INSTRUCTIONS. INSTALLATION INSTRUCTIONS ARE AVAILABLE ONLINE AT WWW.FLEETWOODUSA.COM UNDER EACH PRODUCT PAGE, OR BY REQUEST.
- FIELD TESTING:** ALL AAMA LABELED FLEETWOOD DOORS AND WINDOWS WILL BE MANUFACTURED IN PRECISELY THE SAME MANNER AS THE APPROVED AAMA TEST SPECIMEN. THERE IS NO OTHER SPECIFIC GUARANTEE REGARDING WEATHER PERFORMANCE OR FIELD TEST RESULTS. ANY FIELD TESTING PERFORMED MUST BE PER AAMA 509/28 TEST METHOD A AND PERFORMED IMMEDIATELY AFTER INSTALLATION AS REQUIRED IN PARAGRAPH TWO OF "SHORT FORM FIELD TESTING SPECIFICATIONS" ON THE INSIDE COVER. FIELD TEST RESULTS WILL NOT BE CONSIDERED VALID UNLESS PERFORMED WITHIN FOUR (4) WEEKS OF SPECIMEN INSTALLATION. DUE TO UNCONTROLLABLE INSTALLATION AND TEST VARIABLES, EXPECT ONLY 75% OF LABORATORY PERFORMANCE RESULT IN TYPICAL FIELD INSTALLATION CONDITIONS. ANY FIELD TEST MUST COMPLY WITH FLEETWOOD'S FIELD TESTING PROCEDURE. THIS PROCEDURE IS AVAILABLE ONLINE AT WWW.FLEETWOODUSA.COM ON THE DEALER PAGE, OR BY REQUEST.
- CORNER SEALING:** BECAUSE OF THE POTENTIAL FOR SEALANT DISRUPTION DURING HANDLING AND ERECTION, THE INSTALLER IS RESPONSIBLE FOR ALL FRAME CORNER SEALS, WHETHER OR NOT THESE FRAMES WERE FACTORY ASSEMBLED.
- FRAME MULLIONS, TRANSOMS, & COMPENSATING CHANNELS:** FLEETWOOD RECOMMENDS STRUCTURAL ANCHORING FOR ALL MULLIONS, TRANSOMS, AND COMPENSATING CHANNELS. THESE HAVE NOT BEEN TESTED FOR AIR, WATER, STRUCTURAL, OR WIND LOAD PERFORMANCE. PRODUCTS ORDERED WITH NAIL-FIN FRAMES WILL REQUIRE THE REMOVAL OF THE NAIL FIN IN THE FIELD BY THE INSTALLER WHERE BLOCK FRAMES ARE REQUIRED. BLOCK FRAMES ARE REQUIRED AT THE JAMBS OF MULLLED PRODUCTS, THE SILL OF MULLLED PRODUCTS, AND THE HEAD AND SILL OF STACKED TRANSOM PRODUCTS.
- HARDWARE:** MANUFACTURER'S STANDARD
- WARRANTY:** ALL INVOLVED PARTIES SHOULD REVIEW THE WARRANTY, AND THE TERMS AND CONDITIONS BY WHICH THE JOB WILL BE PROCESSED. A COPY CAN BE REVIEWED ON THE WEBSITE OR BY CONTACTING THE FACTORY DIRECTLY.
- WINDOW AND DOOR ELEVATIONS:** DO NOT SCALE THE WINDOW AND DOOR ELEVATION DRAWINGS. USE ONLY THE DIMENSIONS PROVIDED ON THE ELEVATIONS FOR REFERENCE. THE INTENT OF THE ELEVATIONS ARE TO SHOW THE OVERALL NET FRAME SIZES AND DETECT PRODUCT CONFIGURATION. PLEASE CONTACT THE FACTORY WHEN CRITICAL DIMENSIONS, SUCH AS INTERLOCKER CENTERLINES, ARE REQUIRED.

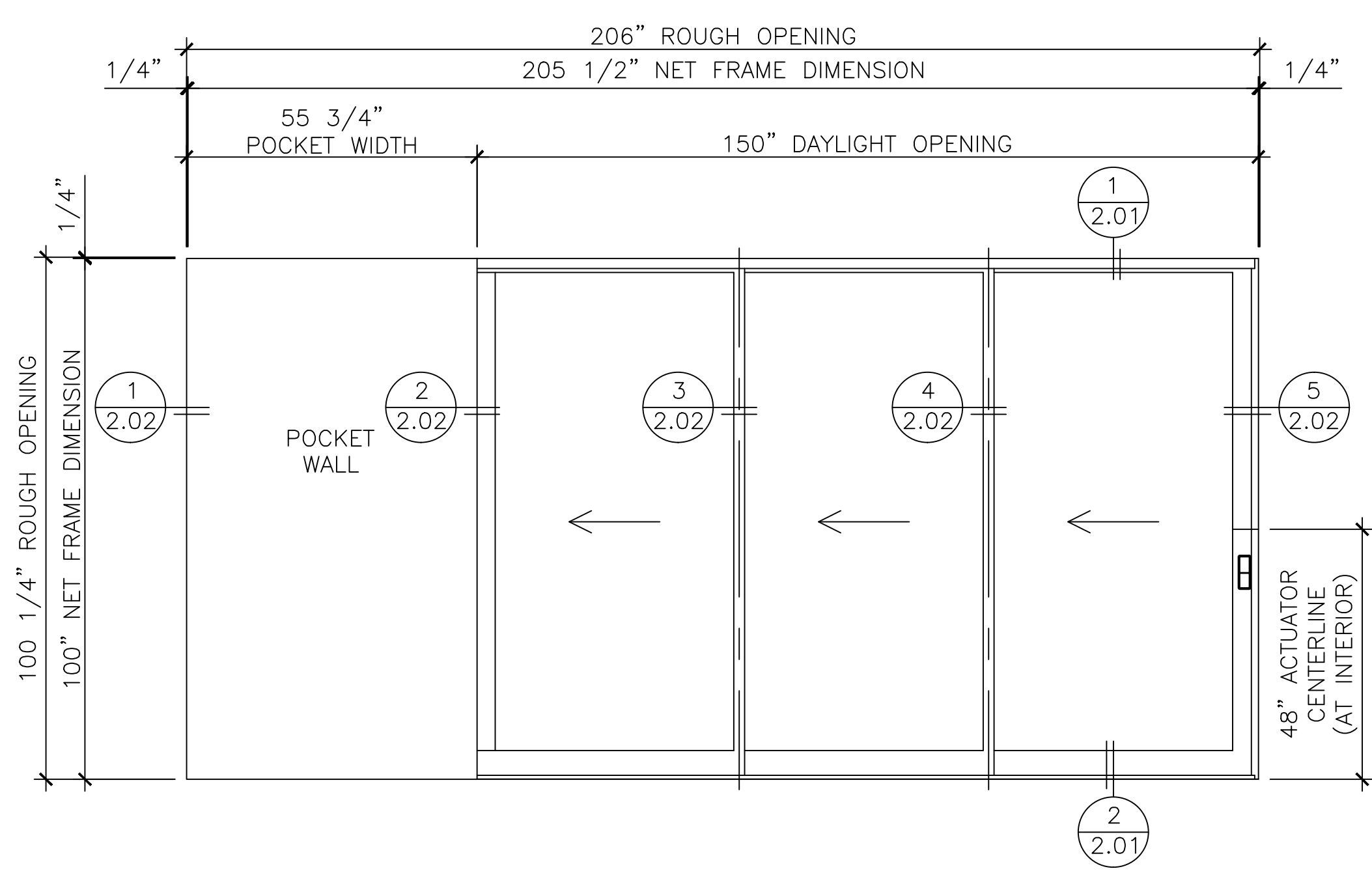
GENERAL NOTES

- ELEVATIONS ARE SHOWN FROM EXTERIOR UNLESS OTHERWISE NOTED
- ANCHOR / WALL FASTENER - LOCATION, SPACING AND QUANTITY TO BE DETERMINED PER DESIGN PRESSURE REQUIREMENTS BY STRUCTURAL ENGINEER AND/OR CERTIFIED TEST DRAWINGS
- THE FOLLOWING TABLES ARE THIS JOB'S SPECIFIC SERIES DEFAULT OPTIONS UNLESS NOTED ON AN ELEVATION.

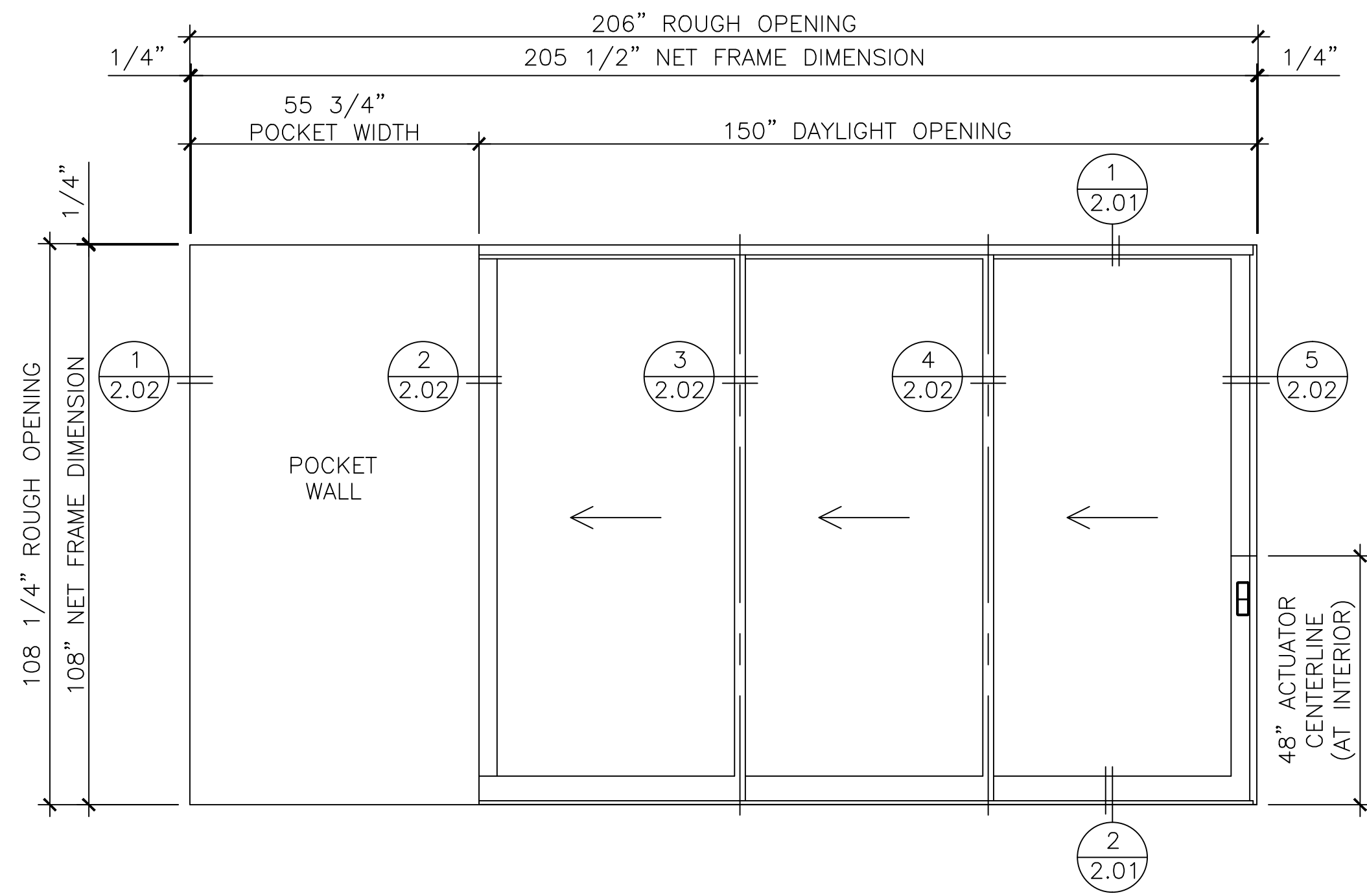
NORWOOD 3070-EX

PRODUCT DESCRIPTION: MULTISLIDE DOORS

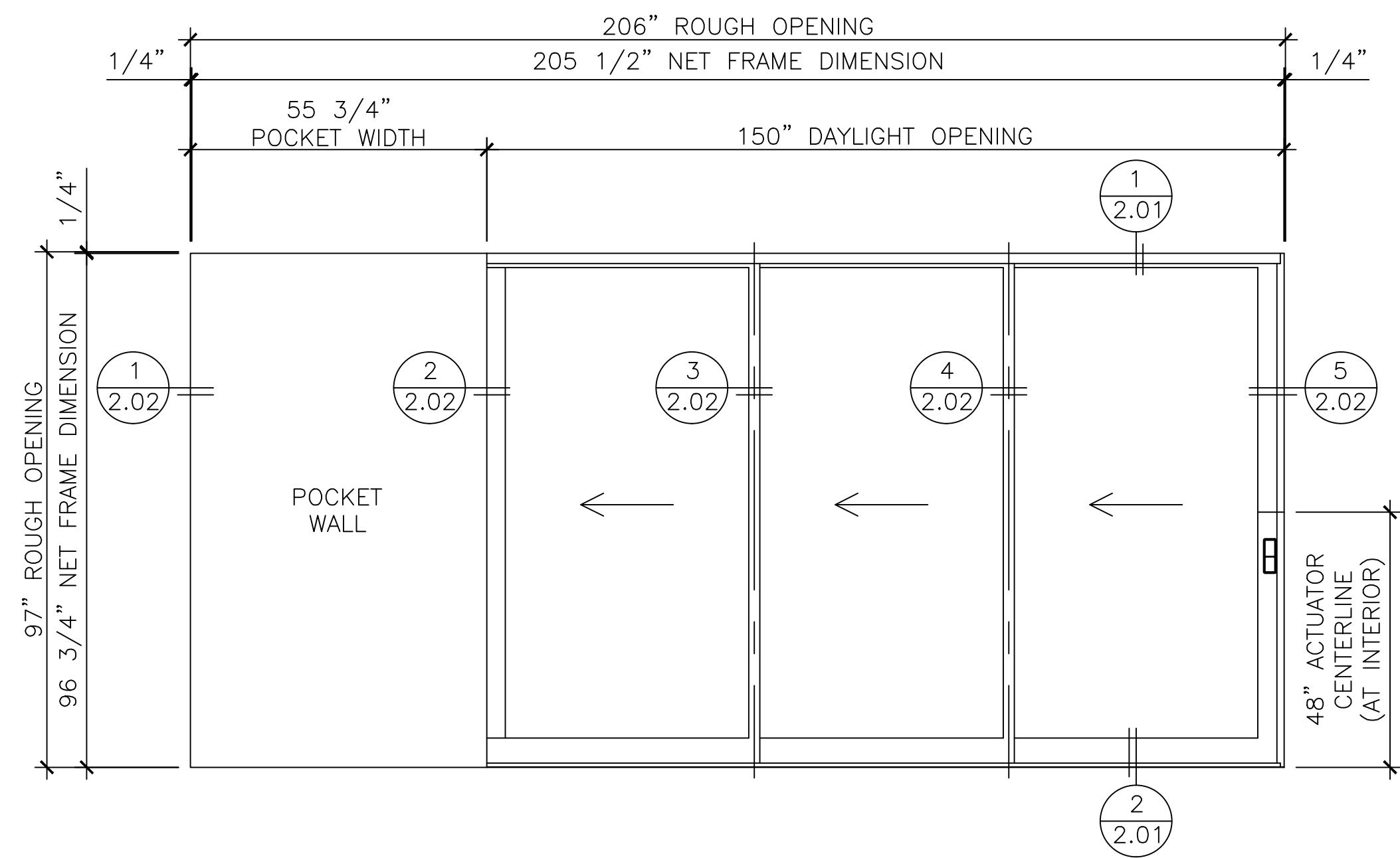
FINISH:	CLASS 1, CLEAR ANODIZED
EDGE ARMOR:	NO
HARDWARE FINISH:	STAINLESS STEEL
GLASS:	1"; CLEAR SB60 6MM-T, 0.5 AIR, CLEAR 6MM-T
FRAME:	BLOCK
ACTUATOR:	ARCHETYPE
ACTUATOR HEIGHT:	48" (FROM BOTTOM OF PANEL)
AUTOMATION:	NONE
BREATHER TUBES:	NO
CYLINDERS:	NONE
DOOR COLLECTORS:	NO
FIXED STYLE:	NARROW 3008 (NON-FLUSH STACK)-STD
HANDLE:	ARCHETYPE FLUSH PULLS
INTERLOCKS:	STANDARD
LOCK STYLE:	STANDARD
MEETING STYLE:	STANDARD
POCKET CLOSER:	YES
POCKET INTERLOCKER:	2 PIECE (STD)
POCKET JAMBS:	NO
POCKET SIGHTLINE EXTENDER:	3.5" (ARCHETYPE)
POCKET TYPE:	STANDARD (CLOSED WALL)
ROLLERS:	PRECISION MAMMOTH (S.S.)
SILL:	RISER (OUTSIDE)
SILL PAN:	YES
SILL PAN HEIGHT:	FLUSH 0.75"
TOP RAIL:	STANDARD (NARROW)



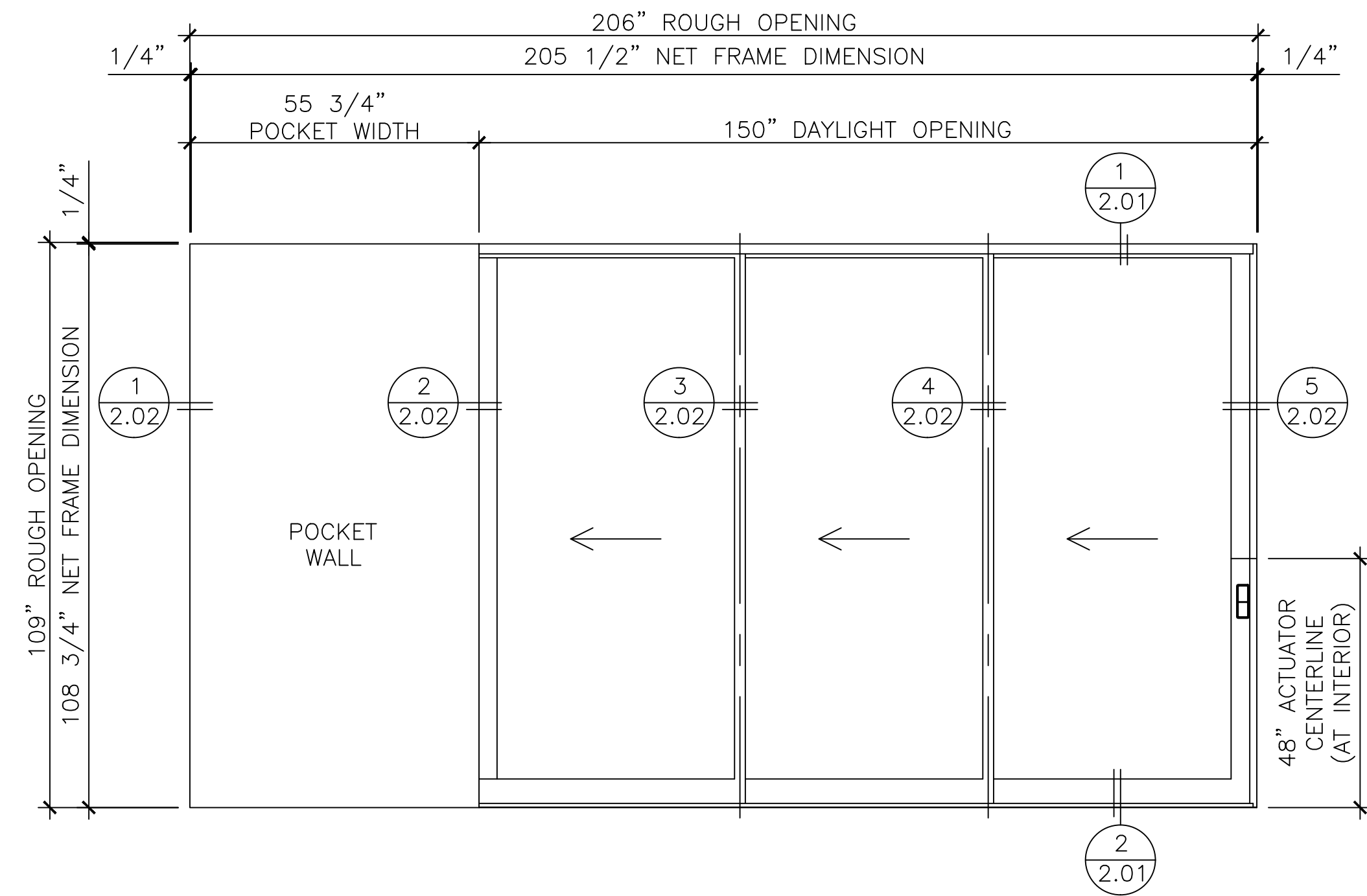
D1 (2) TWO REQ'D THUS
 NORWOOD 3070-EX PXXX
 ROOM REF.:
 STACKS TO: THE INTERIOR (OF THE LEFT PANEL)
 NOTES: 1. REFERENCE DETAIL 3/2.01 FOR OPENED POSITION.



D2 (1) ONE REQ'D THUS
 NORWOOD 3070-EX PXXX
 ROOM REF.: 19) FAMILY
 STACKS TO: THE INTERIOR (OF THE LEFT PANEL)
 NOTES: 1. REFERENCE DETAIL 3/2.01 FOR OPENED POSITION.



D3 (1) ONE REQ'D THUS
 NORWOOD 3070-EX PXXX
 ROOM REF.:
 STACKS TO: THE INTERIOR (OF THE LEFT PANEL)
 NOTES: 1. REFERENCE DETAIL 3/2.01 FOR OPENED POSITION.

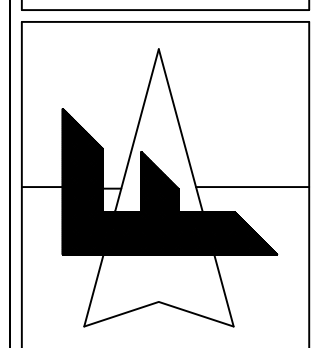


D4 (1) ONE REQ'D THUS
 NORWOOD 3070-EX PXXX
 ROOM REF.:
 STACKS TO: THE INTERIOR (OF THE LEFT PANEL)
 NOTES: 1. REFERENCE DETAIL 3/2.01 FOR OPENED POSITION.

COMMENTS	
DRAWN BY	
DATE	
REVISIONS	
DATE:	11/14/13
DRAWN BY:	C.C.
JOB NUMBER:	----

MATERIAL:	NORWOOD 3070-EX
CUSTOMER:	FLEETWOOD
JOB NAME:	DEALER DRAWING SAMPLE

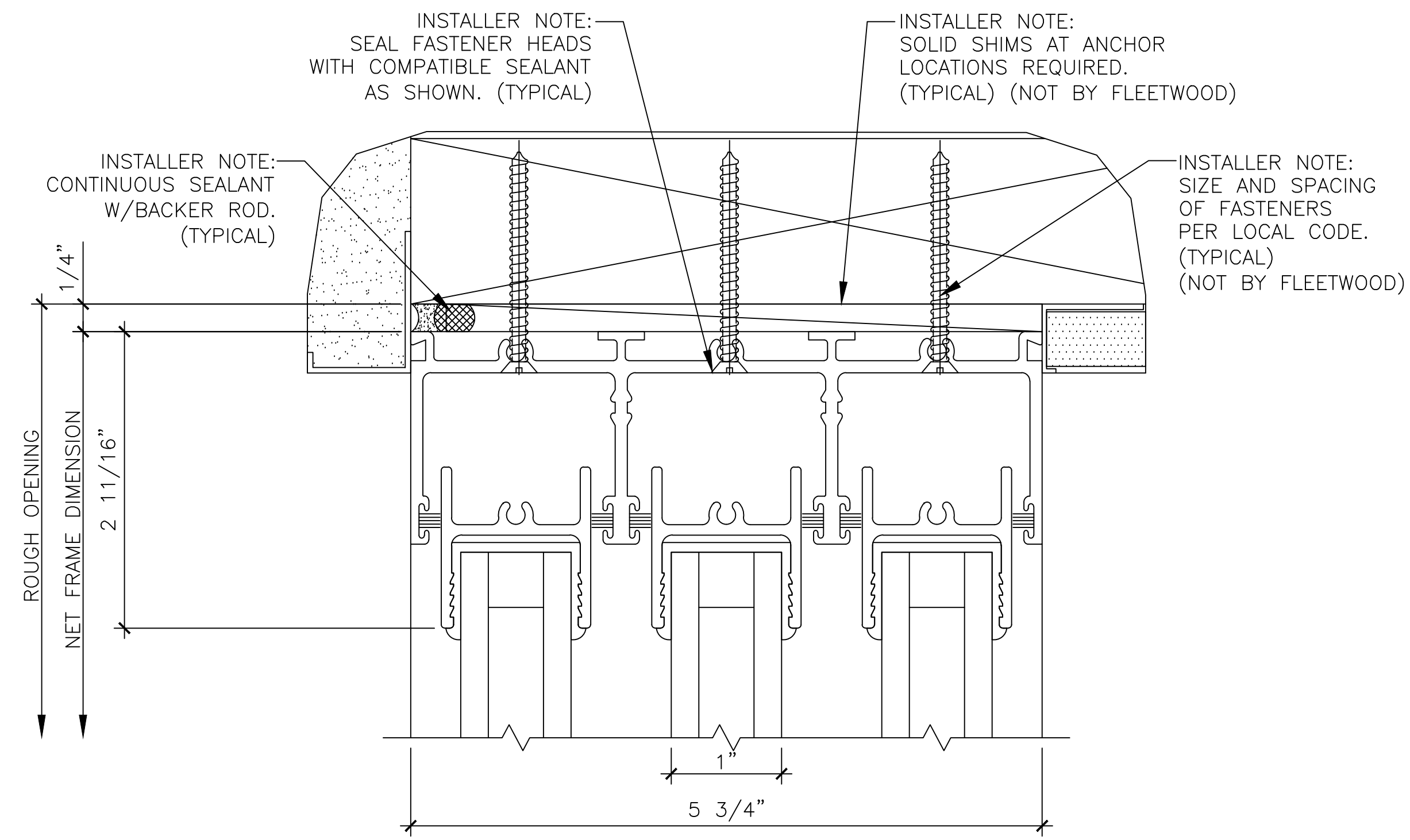
FLEETWOOD WINDOWS AND DOORS
 1 FLEETWOOD WAY CORONA, CALIFORNIA 92879 - www.fleetwoodusa.com



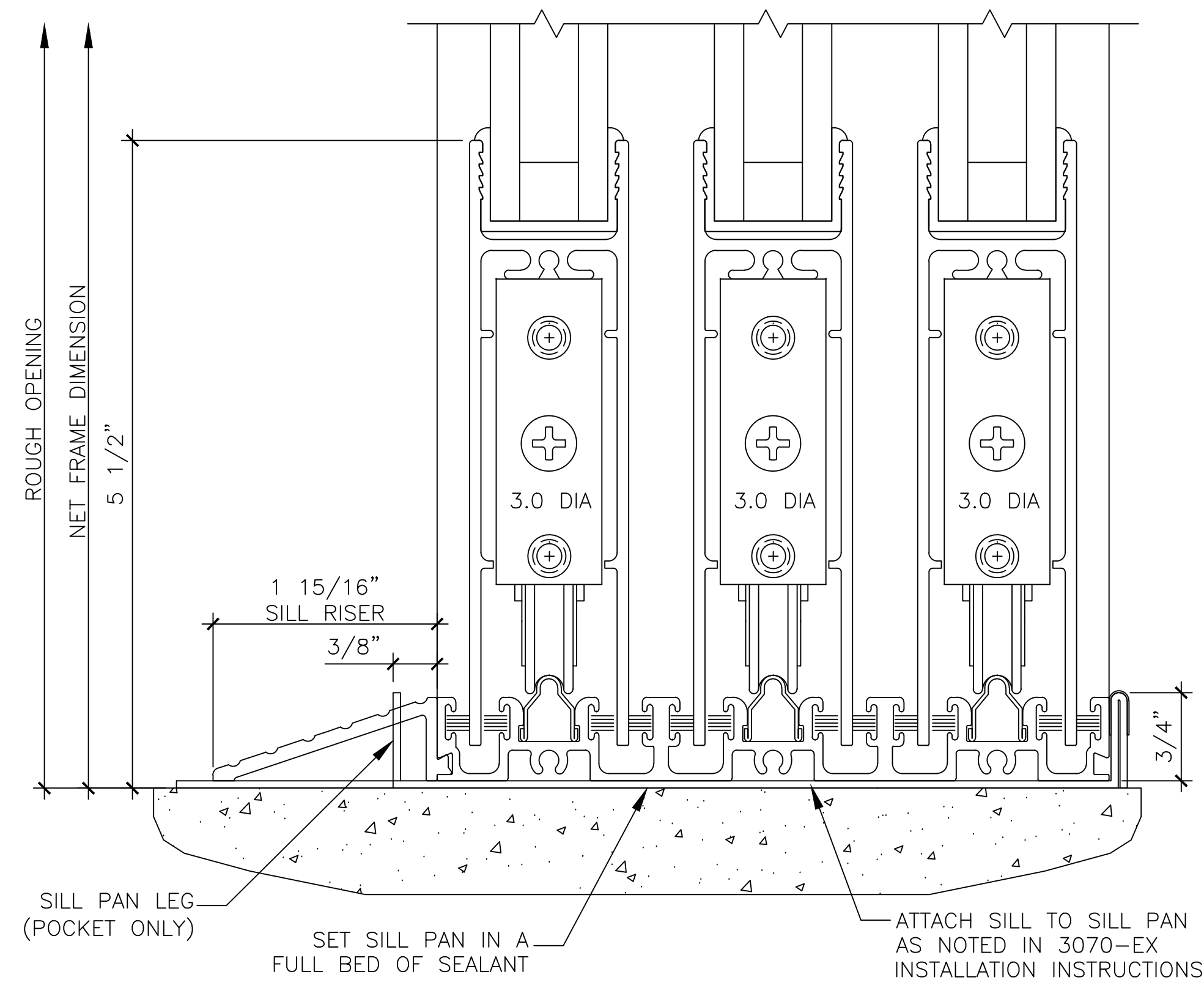
SCALE : 1/2" = 1'

DRAWING NO. : 1.01

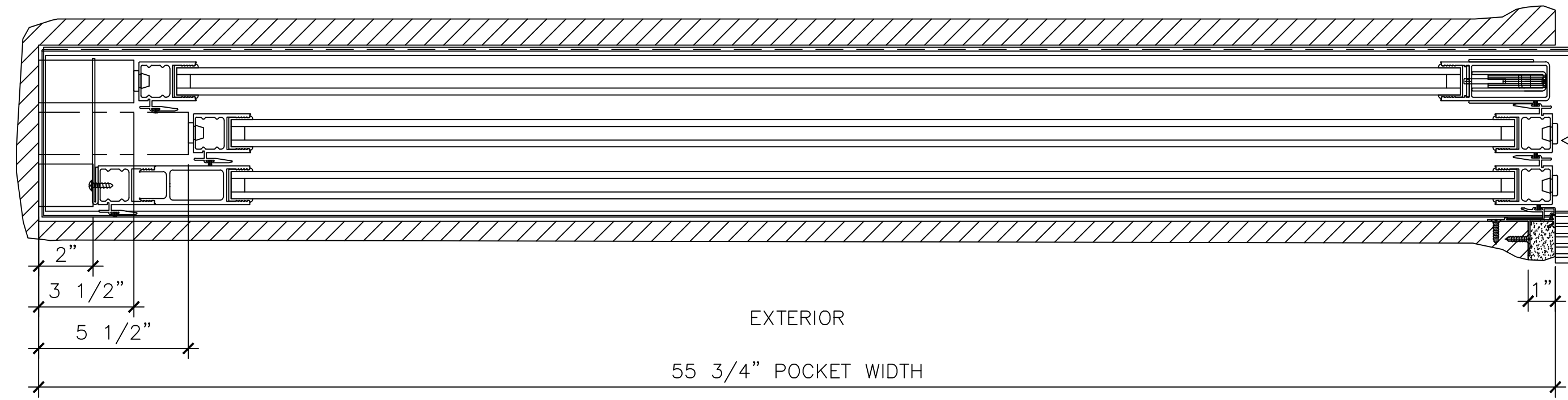
SHEET : 1 OF 3



1 NORWOOD 3070-EX HEAD
SCALE: FULL SIZE



2 NORWOOD 3070-EX SILL
SCALE: FULL SIZE

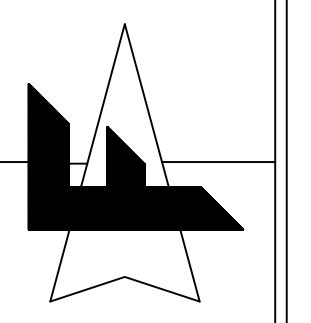


3 NORWOOD 3070-EX OPENED POSITION
SCALE: 3"=1'

REVISIONS	DATE	DRAWN BY	COMMENTS

MATERIAL: NORWOOD 3070-EX	DATE: 11/14/13	JOB NUMBER: ----
CUSTOMER: FLEETWOOD	DRAWN BY: C.C.	
JOB NAME: DEALER DRAWING SAMPLE		

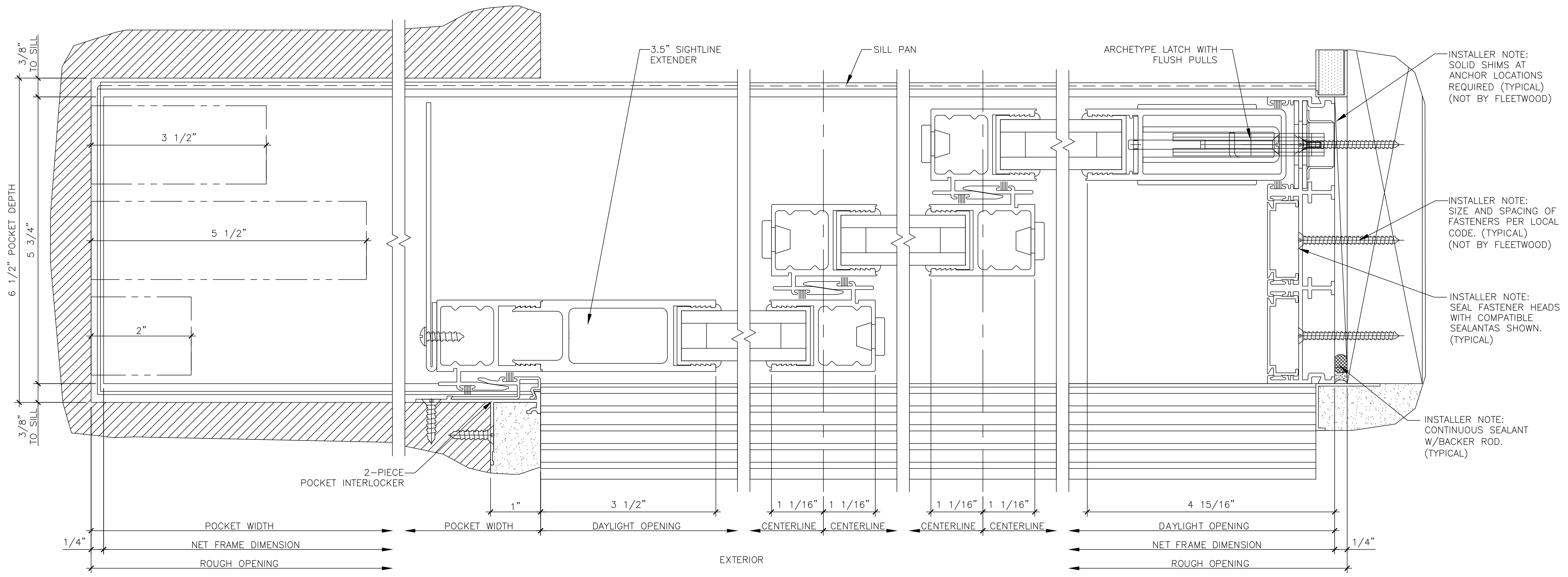
FLEETWOOD
WINDOWS AND DOORS
1 FLEETWOOD WAY CORONA, CALIFORNIA 92879 - www.fleetwoodusa.com



SCALE : 1' = 1'

DRAWING NO. : 2.01

SHEET : 2 OF 3



1 NORWOOD 3070-EX
POCKET JAMB
SCALE: FULL SIZE

2 NORWOOD 3070-EX
POCKET INTERLOCKER
SCALE: FULL SIZE

3 NORWOOD 3070-EX
INTERLOCKERS
SCALE: FULL SIZE

4 NORWOOD 3070-EX
INTERLOCKERS
SCALE: FULL SIZE

5 NORWOOD 3070-EX
LOCK JAMB
SCALE: FULL SIZE

INSTALLER NOTE:
SOLID SHIMS AT
ANCHOR LOCATIONS
REQUIRED (TYPICAL)
(NOT BY FLEETWOOD)

INSTALLER NOTE:
SIZE AND SPACING OF
FASTENERS PER LOCAL
CODE. (TYPICAL)
(NOT BY FLEETWOOD)

INSTALLER NOTE:
SEAL FASTENER HEADS
WITH COMPATIBLE
SEALANTAS SHOWN.
(TYPICAL)

INSTALLER NOTE:
CONTINUOUS SEALANT
W/BACKER ROD.
(TYPICAL)

REVISIONS	DATE	DRAWN BY	COMMENTS

DATE:	11/14/13
DRAWN BY:	C.C.
JOB NUMBER:

MATERIAL:	NORWOOD 3070-EX
CUSTOMER:	FLEETWOOD
JOB NAME:	DEALER DRAWING SAMPLE

FLEETWOOD
WINDOWS AND DOORS
1 FLEETWOOD WAY CORONA, CALIFORNIA 92879 - www.fleetwoodusa.com

SCALE :	1' = 1'
DRAWING NO. :	2.02
SHEET :	3 OF 3