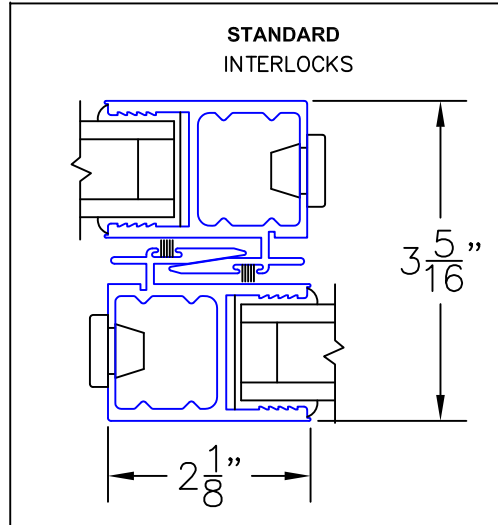


SCALE: 1/2

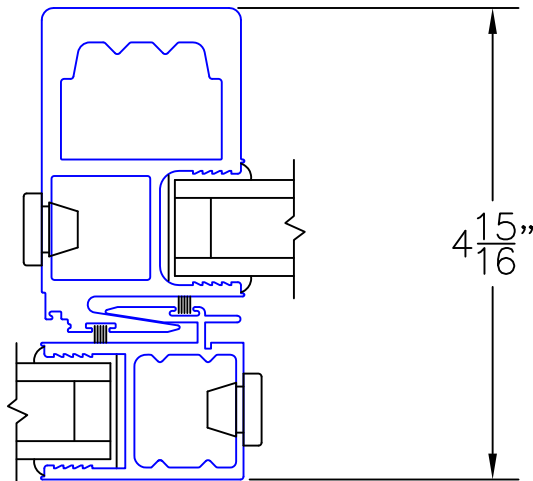
### INTERLOCK OPTIONS

*For Selection Purposes Only.*  
 Samples shown with  
 non-thermally broken extrusions

STANDARD  
INTERLOCKS



HP ONE SIDE (TYPICAL HP)



HP BOTH SIDES

