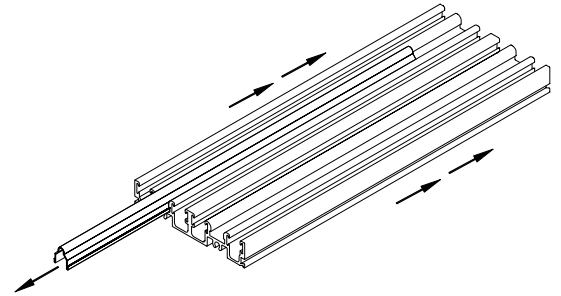




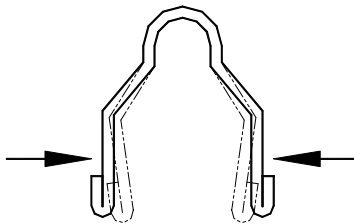
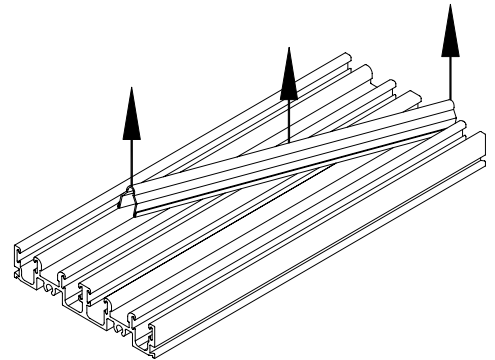
1. Stainless Steel Track Removal - Unassembled Frame (KD)

1. Slide the stainless steel track in one direction to remove it from the sill. If necessary, a rubber hammer can be used to tap the opposite end of the track.



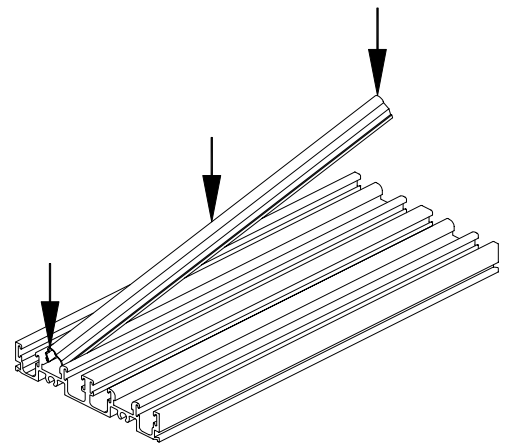
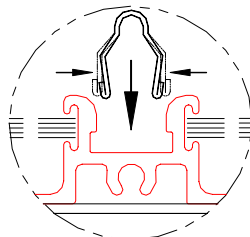
2. Stainless Steel Track Removal - Assembled Frame

1. Using a pair of pliers, slightly squeeze the track together at one end and pull up.
2. Using a screwdriver, slowly pry the track out of the sill. **Warning:** Removing the track by pulling only from the end can bend the track. To avoid bending, pull or pry the track near the sill.



3. Stainless Steel Track Installation

1. Using a pair of pliers, slightly squeeze one end of the track to create a tapered edge.
2. Push tapered edge of track into the sill.
3. Using a rubber mallet, tap the track into the sill.



(Typical Multislide Sill Shown)