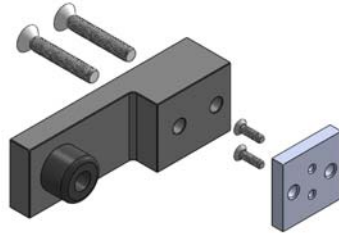


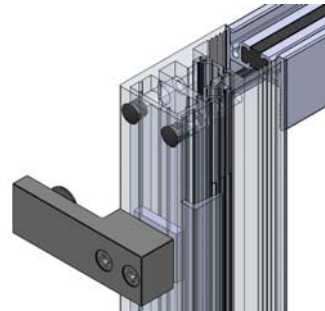
The following defines the components required to attach a Door Collector to a Multi-slide product.

**Note:** If the Door Collector option is chosen, panels will default to equal width.

1. Door Collector Components:



Part No. 25003  
Door Collector Kit  
(Collector & Backup Plate)  
Quantity as Required



Door Collector Kit  
shown installed on  
Panel Interlocker

2. All Doors will have the Door Collector Kit (25003) as each configuration requires.
3. Installation of Door Collector – Attach the Door Collector to the back of the interlocker using (2) #10-32 Flat Head Screws.