



Overview

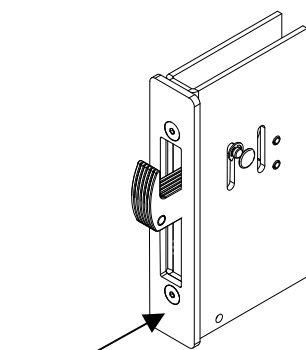
The Archetype I and II are new patent pending door latching systems designed exclusively for Fleetwood. The Archetype I is a single latching system while the Archetype II is a double latching system.

Test Information

Both the Archetype I and II latching systems were used in the testing of our hurricane rated sliding doors (3070HI-WG) that was completed and passed in January of 2008. The Archetype I was tested on a door with 56" wide by 94" tall panels and passed at test pressures of 112.5 psf. The Archetype II was tested on a door with 56" wide by 128" tall panels and passed at test pressures of 90 psf.

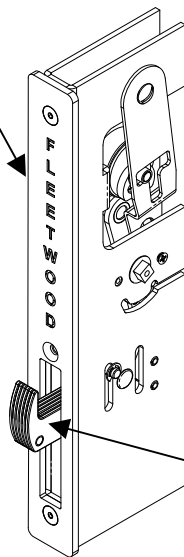
Construction

The Archetype I and II latching system are 316, 302, 304, 18-8 stainless steel and brass components for maximum corrosion protection.

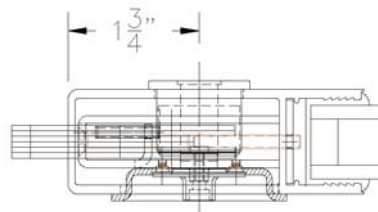


Secondary Latch

Stainless Steel
Cover Plates
With Brush Finish

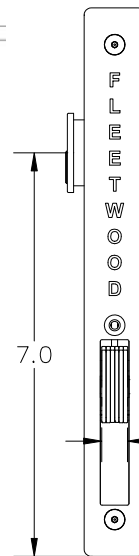
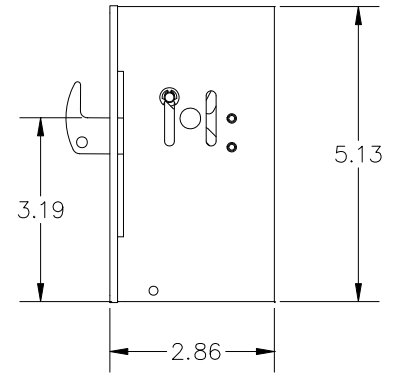
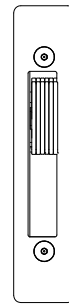


6 Ply Laminated
Stainless Steel Hook
for Maximum Security

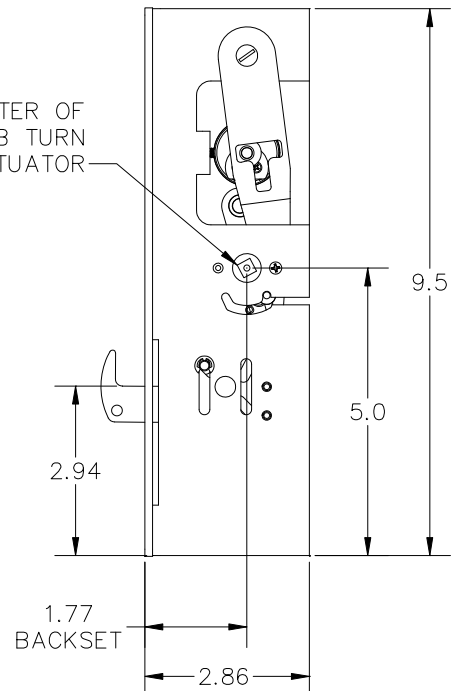


1-3/4" Actuator
Backset

Primary Latch



CENTER OF
THUMB TURN
ACTUATOR

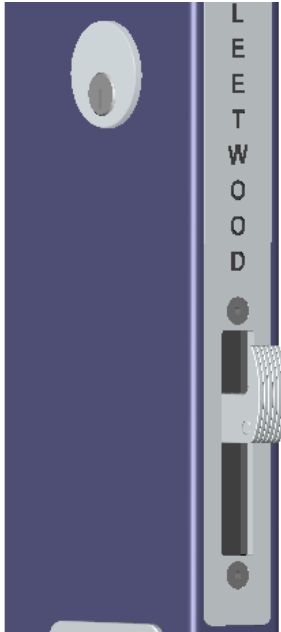




“Near” Flush Actuator and Pull Design

Latch actuators (interior actuator and optional exterior key actuator) and pulls mount almost flush (within 1/8”) with face of door stile. The near flush design allows the lead panel to slide past adjacent panels or a pocket wall.

Optional Exterior
Key Actuator



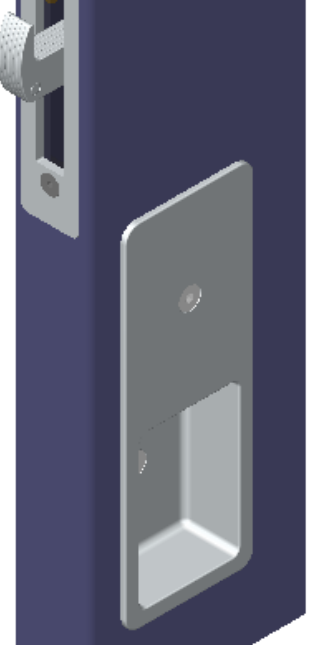
Interior Actuator



Exterior Pull



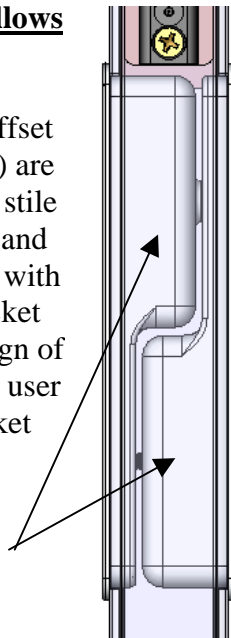
Interior Pull



Offset Pull Design Allows for 1” Deep Pockets

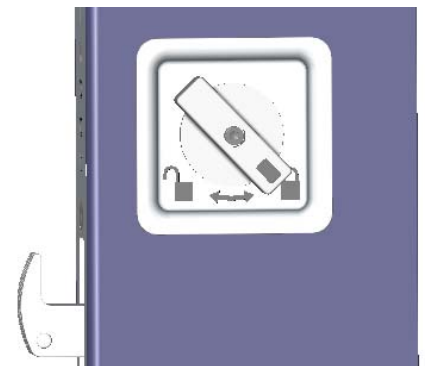
The flush pulls with offset pockets (door handles) are recessed into the door stile to keep the flush look and eliminate interference with adjacent panels or pocket walls. The offset design of the pockets allows the user to have a 1” deep pocket for easy gripping.

Offset Pockets to increase depth for fingers.



120 Degree Latch Operation and Lock/Unlock Symbols Notation

Interior actuator (thumb turn) requires only 120 degrees of rotation to go from the locked, to the unlocked position, or unlocked to the locked position. Symbols recessed in the actuator pocket allow the user to clearly see the current position of the latch (locked or unlocked).





Double Latching System

A secondary latch will be included on all series 3070-EX, 3070-HI-WG and 3050 doors with a net frame height of 96 inches or greater. The secondary latch will be located 24" above the primary latch.

