

FOR ILLUSTRATION ONLY

- IMPORTANT NOTES:**
- FLEETWOOD WILL NOT USE THESE DRAWINGS TO PRODUCE PRODUCT. THE DEALER IS SOLELY RESPONSIBLE TO MAKE SURE THE CONFIRMED ORDER TO THE FACTORY REFLECTS THE INFORMATION HEREIN.
  - INSTALLATION:** THESE DRAWINGS ARE NOT INTENDED TO BE USED AS INSTALLATION INSTRUCTIONS. INSTALLATION INSTRUCTIONS ARE AVAILABLE ONLINE AT WWW.FLEETWOODUSA.COM UNDER EACH PRODUCT PAGE, OR BY REQUEST.
  - FIELD TESTING:** ALL STRUCTURALLY LABELED FLEETWOOD DOORS AND WINDOWS WILL BE MANUFACTURED IN PRECISELY THE SAME MANNER AS THE APPROVED CERTIFIED TEST SPECIMEN. THERE IS NO OTHER SPECIFIC GUARANTEE REGARDING WEATHER PERFORMANCE OR FIELD TEST RESULTS. ANY FIELD TESTING PERFORMED MUST BE PER AAMA 502-90; TEST METHOD A, AND PERFORMED "IMMEDIATELY AFTER INSTALLATION" AS REQUIRED IN PARAGRAPH TWO OF "SHORT FORM FIELD TESTING SPECIFICATIONS" ON THE INSIDE COVER. FIELD TEST RESULTS WILL NOT BE CONSIDERED VALID UNLESS PERFORMED WITHIN FOUR (4) WEEKS OF SPECIMEN INSTALLATION. DUE TO UNCONTROLLABLE INSTALLATION AND TEST VARIABLES, EXPECT ONLY 75% OF LABORATORY PERFORMANCE RESULT IN TYPICAL FIELD INSTALLATION CONDITIONS. ANY FIELD TEST MUST COMPLY WITH FLEETWOOD'S FIELD TESTING PROCEDURE. THIS PROCEDURE IS AVAILABLE ONLINE AT WWW.FLEETWOODUSA.COM ON THE E-DEALER PAGE, OR BY REQUEST.

- CORNER SEALING:** BECAUSE OF THE POTENTIAL FOR SEALANT DISRUPTION DURING HANDLING AND ERECTION, THE INSTALLER IS RESPONSIBLE FOR ALL FRAME CORNER SEALS, WHETHER OR NOT THESE FRAMES WERE FACTORY ASSEMBLED.
- FRAME MULLIONS, TRANSOMS, & COMPENSATING CHANNELS:** FLEETWOOD RECOMMENDS STRUCTURAL ANCHORING OF ALL MULLIONS, TRANSOMS, AND COMPENSATING CHANNELS. THESE HAVE NOT BEEN TESTED FOR AIR, WATER, STRUCTURAL, OR WIND LOAD PERFORMANCE. PRODUCTS ORDERED WITH NAIL-FIN FRAMES WILL REQUIRE THE REMOVAL OF THE NAIL FIN IN THE FIELD BY THE INSTALLER WHERE BLOCK FRAMES ARE REQUIRED. BLOCK FRAMES ARE REQUIRED AT THE JAMBS OF I-MULLED PRODUCTS, THE SILL OF I-MULLED PRODUCTS, AND THE HEAD AND SILL OF STACKED/TRANSOM PRODUCTS. DEAD LOAD FROM FIELD STACKING NEEDS TO BE CONFIRMED WITH A STRUCTURAL ENGINEER.
- HARDWARE:** MANUFACTURER'S STANDARD
- WARRANTY:** ALL INVOLVED PARTIES SHOULD REVIEW THE WARRANTY, AND THE TERMS AND CONDITIONS BY WHICH THE JOB WILL BE PROCESSED. A COPY CAN BE REVIEWED ON THE WEBSITE OR BY CONTACTING THE FACTORY DIRECTLY.

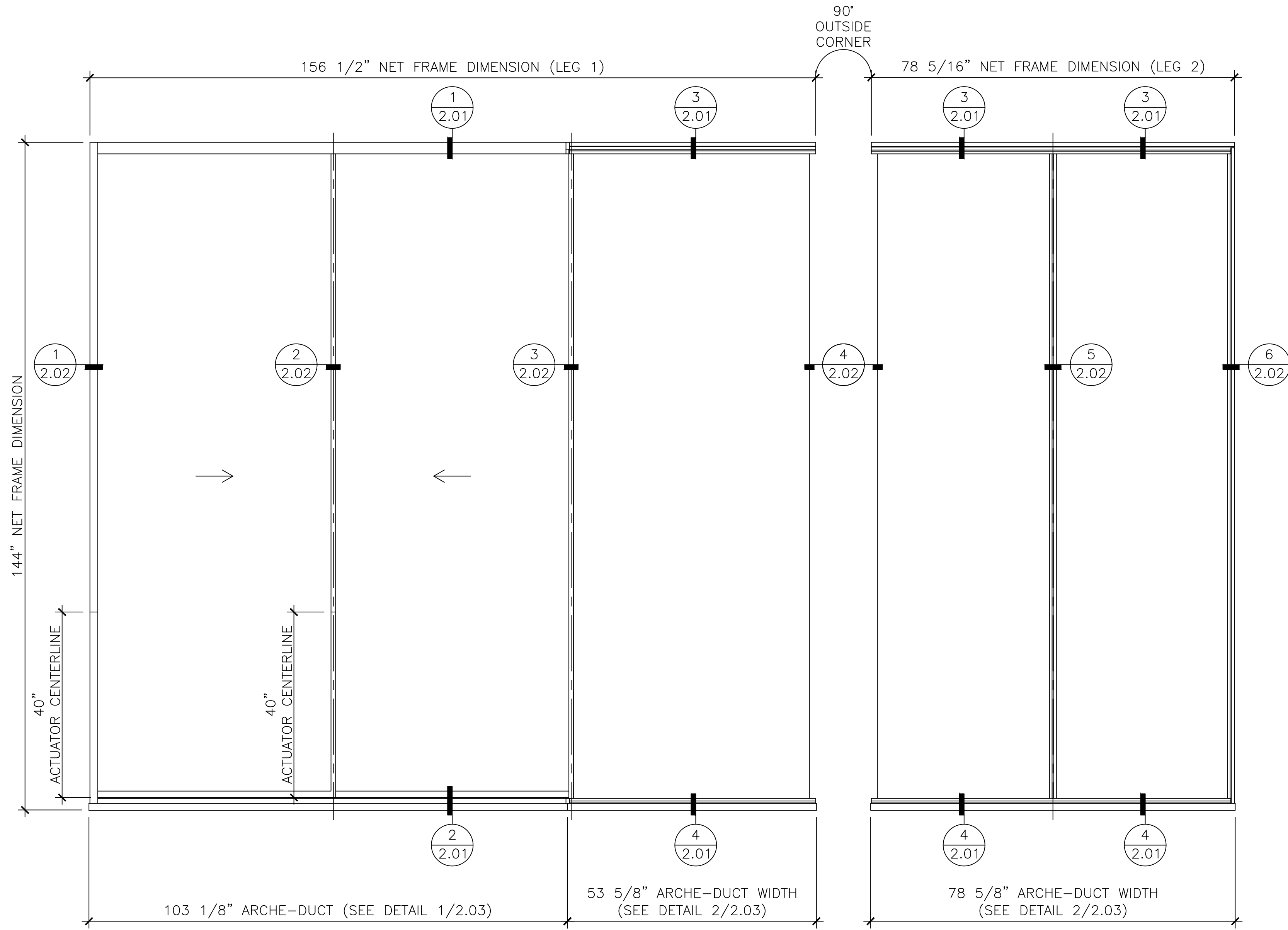
- WINDOW AND DOOR ELEVATIONS:** DO NOT SCALE THE WINDOW AND DOOR ELEVATION DRAWINGS. USE ONLY THE DIMENSIONS PROVIDED ON THE ELEVATIONS FOR REFERENCE. THE INTENT OF THE ELEVATIONS ARE TO SHOW THE OVERALL NET FRAME SIZES AND DEPICT PRODUCT CONFIGURATION. PLEASE CONTACT THE FACTORY WHEN CRITICAL DIMENSIONS, SUCH AS INTERLOCKER CENTERLINES, ARE REQUIRED.

**GENERAL NOTES**

- ELEVATIONS ARE SHOWN FROM EXTERIOR UNLESS OTHERWISE NOTED
- ANCHOR / WALL FASTENER - LOCATION, SPACING AND QUANTITY TO BE DETERMINED PER DESIGN PRESSURE REQUIREMENTS BY STRUCTURAL ENGINEER AND/OR CERTIFIED TEST DRAWINGS
- THE FOLLOWING TABLES ARE THIS JOB'S SPECIFIC SERIES DEFAULT OPTIONS UNLESS NOTED ON AN ELEVATION.
- INITIAL RELEASE PER QUOTE 530312-V3

**SERIES EDGE [s]**

PRODUCT DESCRIPTION:	FIXED
FINISH:	CLASS 1, BLACK ANODIZED
HARDWARE:	BLACK PAINTED STAINLESS STEEL
GLASS:	1.25" LOW-IRON 6MM-T, 0.75 AIR, LOW-IRON 6MM-T (GLAZED)
FRAME:	BLOCK (FIELD ASSEMBLED)
ACTUATOR HEIGHT:	40" (FROM BOTTOM OF PANEL)
ARCHE-DUCT:	OPT-B;(1" BOTTOM DRAIN-EXT)
DRAIN FROM EDGE:	0"
DRAIN SPACING:	60"
FIN PULL:	YES-LEAD STILE (ROOM SIDE ONLY)(OPT-B)
HEAD:	STANDARD (STAGGERED)
HEEL SHEAVE:	(A4-E),(A1-E)
KEEPS:	STANDARD (OPT-A)
O-PANEL SILL:	STANDARD (W/SHELF)
SILL:	(SFD-E)-STAGGERED



- D1 (1) ONE REQ'D THUS  
 SERIES EDGE [s] XXIOVOO  
 ROOM REF.:  
 O-PANEL FIN: STANDARD  
 REVERSE KEEPS: BLADE IN FIN-KEEP, REVERSE STACK (OPT-A)  
 O-PANEL GLAZING: OUTSIDE  
 O-PANEL HEAD: STANDARD  
 O-PANEL TYPE: EDGE [f]  
 STACKS TO: THE INTERIOR (OF THE LEFT PANEL)  
 O-PANEL CORNER GLAZING: EQUAL OFFSET  
 LEAD PANEL LEFT: FIN-JAMB INT. W/ BLADE (OPT-D)
- NOTES:  
 1. REFERENCE DETAIL(S) 1/2.03 AND 2/2.03 FOR ARCHE-DUCT PLAN VIEW

COMMENTS	
DRAWN BY	
DATE	
REVISIONS	
DATE:	
DRAWN BY:	
MATERIAL: EDGE [f] EDGE [f]	
CUSTOMER: JOB NUMBER:	
JOB NAME:	

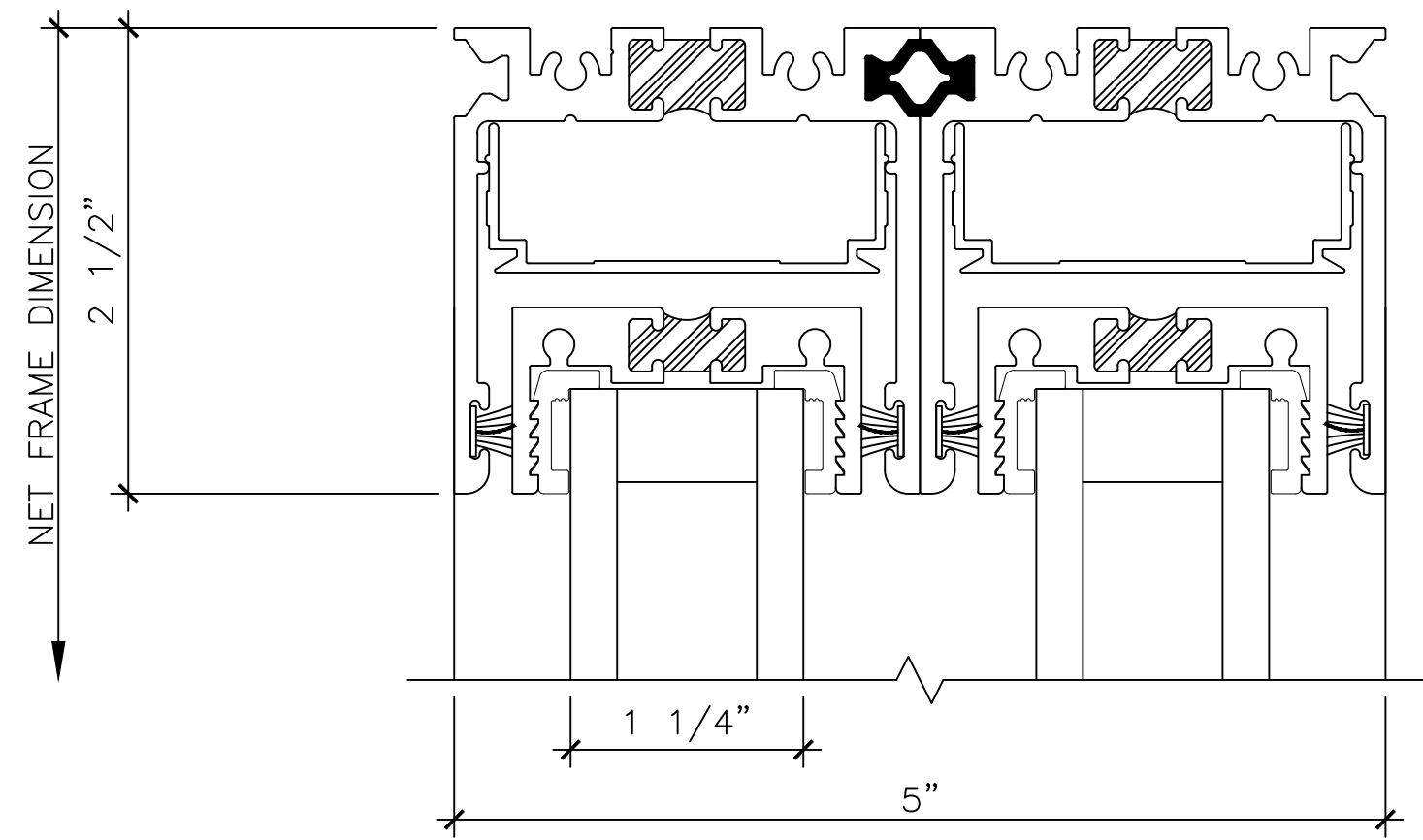
1 FLEETWOOD WAY  
 CORONA, CA 92879  
 www.fleetwoodusa.com

**FLEETWOOD**  
 WINDOWS & DOORS

SCALE :  
 3/4" = 1'

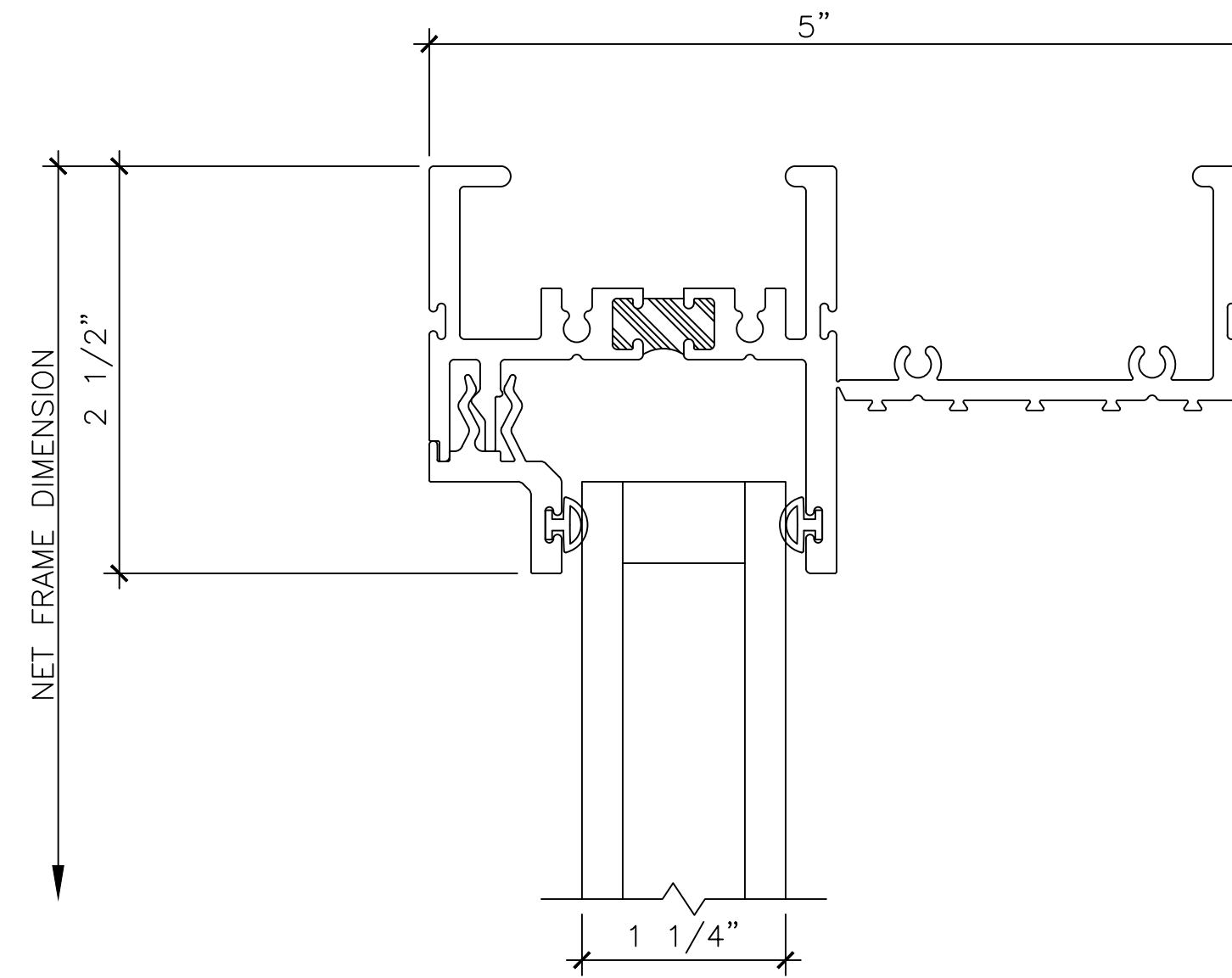
DRAWING NO. :  
**1.01**

SHEET :  
 1 OF 4



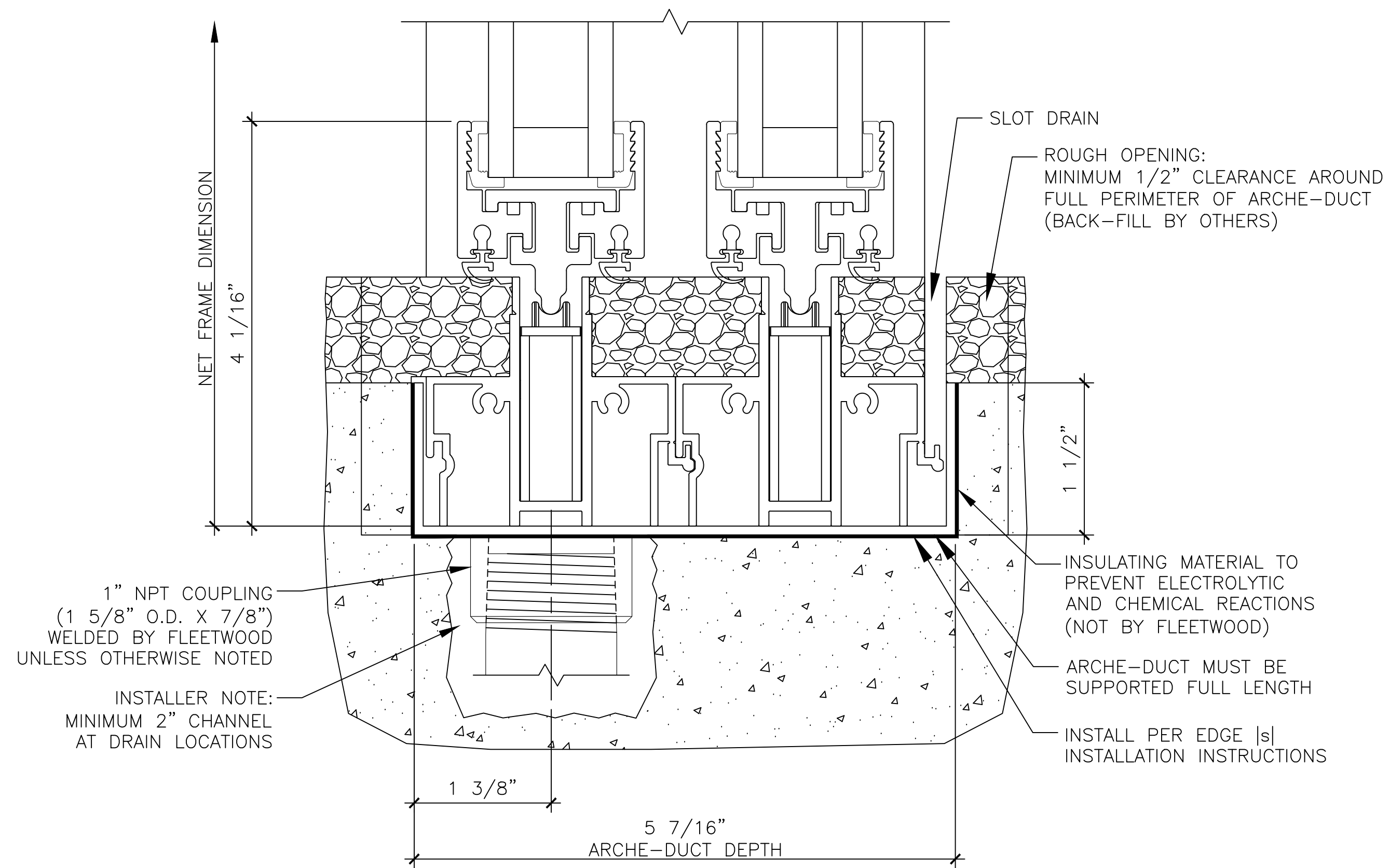
EXTERIOR

1 SERIES EDGE |s| HEAD  
SCALE: 1'-0"=1'-0"

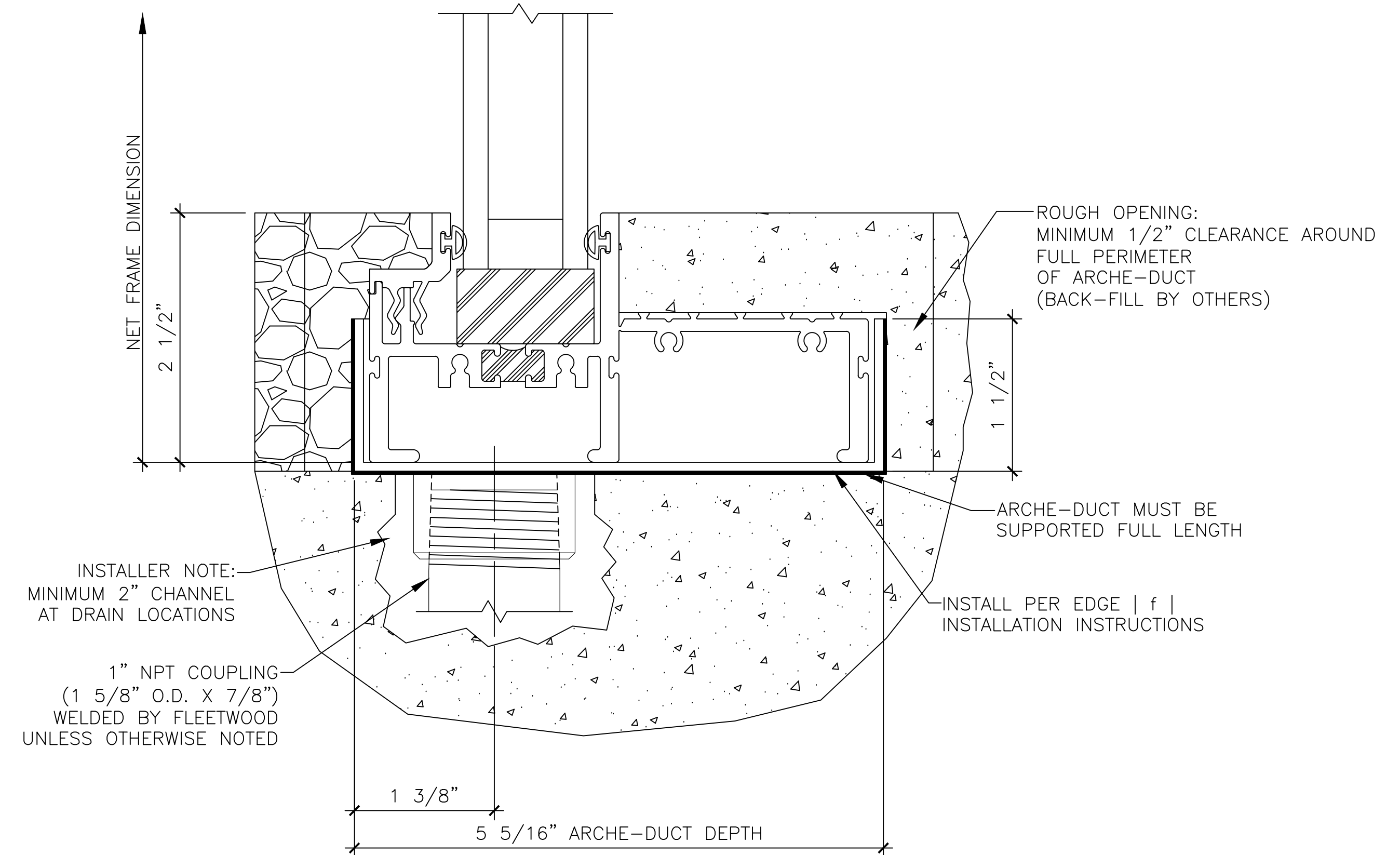


EXTERIOR

3 EDGE |f| STANDARD HEAD  
SCALE: 1'-0"=1'-0"



2 SERIES EDGE |s| SILL  
SCALE: 1'-0"=1'-0"



4 EDGE |f| STANDARD SILL  
SCALE: 1'-0"=1'-0"

REVISIONS	DATE	DRAWN BY	DATE	COMMENTS

MATERIAL: EDGE |s|  
EDGE |f|

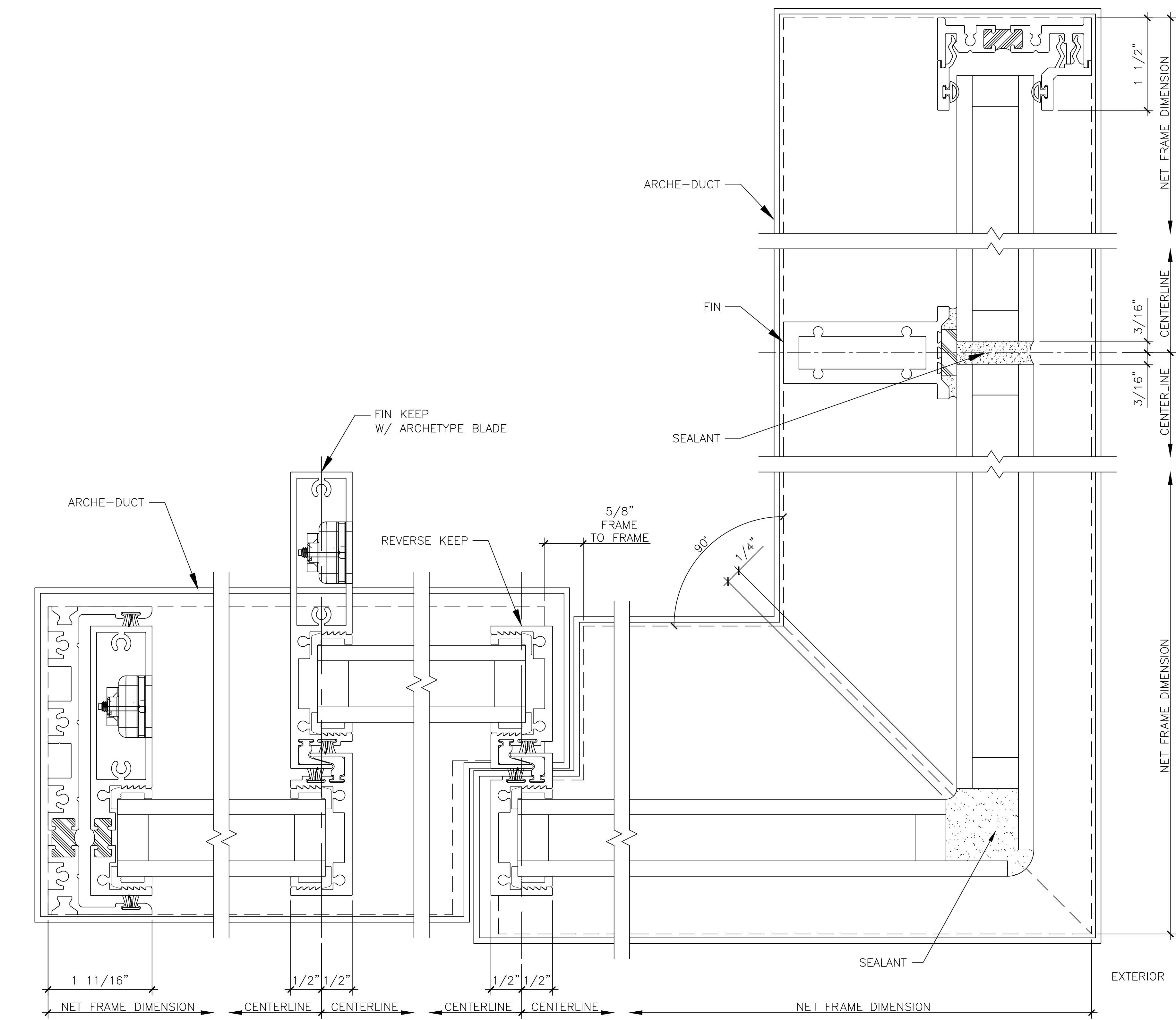
CUSTOMER: 1 FLEETWOOD WAY  
CORONA, CA 92879  
JOB NUMBER: www.fleetwoodusa.com

**FLEETWOOD**  
WINDOWS & DOORS

SCALE : 1' = 1'

DRAWING NO. : 2.01

SHEET : 2 OF 4



1 SERIES EDGE |s| JAMB  
SCALE: 1'-0"=1'-0"

2 SERIES EDGE |s| KEEPS  
SCALE: 1'-0"=1'-0"

3 SERIES EDGE |s| KEEPS  
SCALE: 1'-0"=1'-0"

4 EDGE |f| 90° OUTSIDE CORNER (EQUAL OFFSET)  
SCALE: 1'-0"=1'-0"

6 EDGE |f| JAMB  
SCALE: 1'-0"=1'-0"

5 EDGE |f| BUTT GLAZING  
SCALE: 1'-0"=1'-0"

REVISIONS	DATE	DRAWN BY	COMMENTS

DATE: \_\_\_\_\_ DRAWN BY: \_\_\_\_\_ JOB NUMBER: \_\_\_\_\_

MATERIAL: EDGE |s| EDGE |f| CUSTOMER: \_\_\_\_\_ JOB NAME: \_\_\_\_\_

1 FLEETWOOD WAY  
CORONA, CA 92879  
www.fleetwoodusa.com

**FLEETWOOD**  
WINDOWS & DOORS

SCALE : 1' = 1'

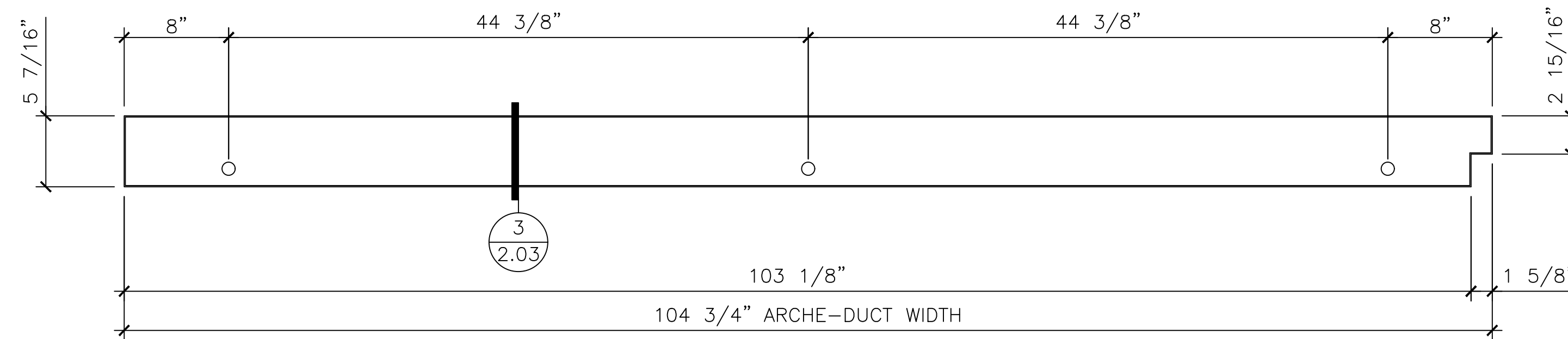
DRAWING NO. : 2.02

SHEET : 3 OF 4

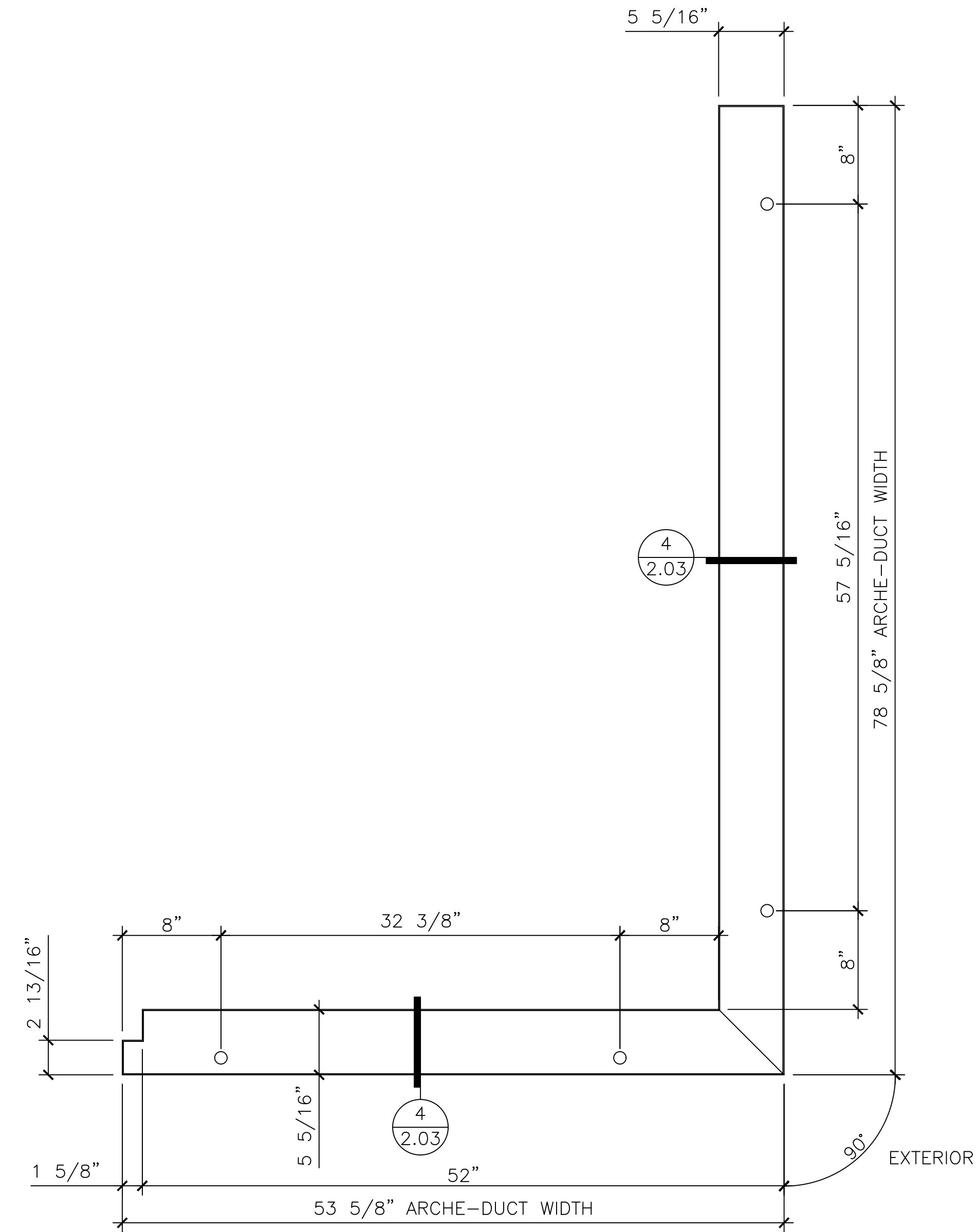
FABRICATION NOTES:  
 1. ALL DIMENSIONS ARE OUTSIDE DIMENSIONS UNLESS OTHERWISE NOTED.  
 2. DRAINS TO BE WELDED PER DIMENSIONS  $\pm 1/8"$  BY FLEETWOOD.

INSTALLER NOTES:  
 1. INSTALLER TO INSTALL PER INSTALLATION INSTRUCTIONS.  
 2. ROUGH OPENING: MINIMUM  $1/2"$  CLEARANCE AROUND FULL PERIMETER OF ARCHE-DUCT. (BACK-FILL BY OTHERS)  
 3. MINIMUM  $2"$  CHANNEL AT DRAIN LOCATIONS.  
 4. MINIMUM  $2-1/16"$  ROUGH OPENING DEPTH.  
 5. USE INSULATING MATERIAL TO PREVENT ELECTROLYTIC AND CHEMICAL REACTIONS. (NOT BY FLEETWOOD)  
 6. ARCHE-DUCT MUST BE SUPPORTED FULL LENGTH.

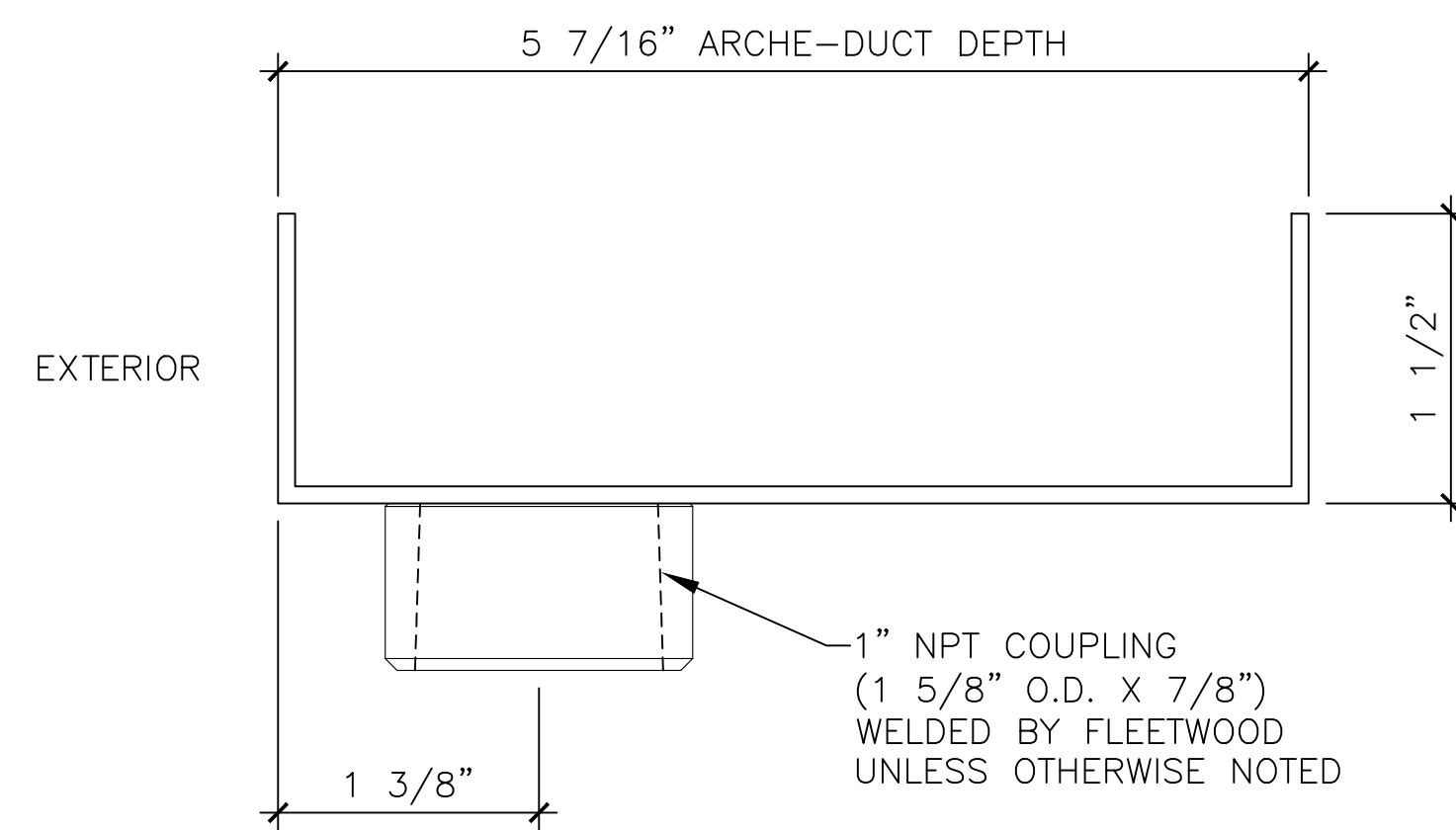
DEALER NOTES:  
 1. DRAIN SPACING: DEALER TO ENTER/CONFIRM ENTRY ON ORDER FRAME OPTIONS PRIOR TO ORDER SUBMITTAL.  
 2. DRAINS REQUIRE A MINIMUM DISTANCE FROM ENDS ( $8"$  TYPICAL).



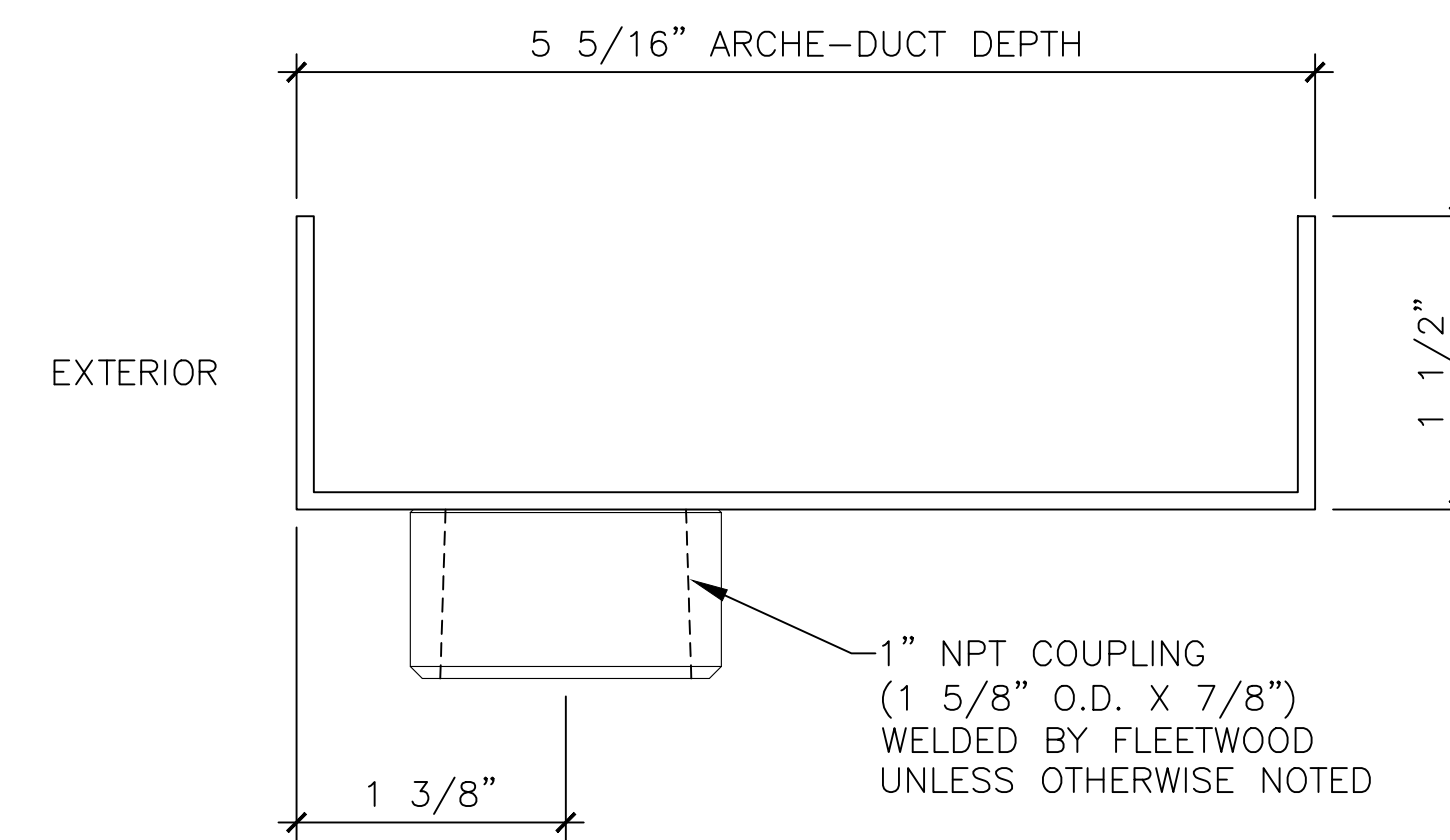
1 SERIES EDGE |s| ARCHE-DUCT PLAN VIEW  
 SCALE:  $1\ 1/2"=1'-0"$



2 SERIES EDGE |f| ARCHE-DUCT PLAN VIEW  
 SCALE:  $1\ 1/2"=1'-0"$



3 SERIES EDGE |s| ARCHE-DUCT SECTION VIEW  
 SCALE:  $1'-0"=1'-0"$



4 SERIES EDGE |f| ARCHE-DUCT SECTION VIEW  
 SCALE:  $1'-0"=1'-0"$

REVISIONS	DATE	DRAWN BY	COMMENTS

MATERIAL: EDGE |s|  
 EDGE |f|  
 CUSTOMER: 1 FLEETWOOD WAY  
 CORONA, CA 92879  
 www.fleetwoodusa.com  
 JOB NAME:

1 FLEETWOOD WAY  
 CORONA, CA 92879  
 www.fleetwoodusa.com  
**FLEETWOOD**  
 W I N D O W S & D O O R S

SCALE :  
 $1\ 1/2"=1'$

DRAWING NO. :  
**2.03**

SHEET :  
 4 OF 4