

IMPORTANT NOTES:	
1.	FLEETWOOD WILL NOT USE THESE DRAWINGS TO PRODUCE PRODUCT. THE DEALER IS SOLELY RESPONSIBLE TO MAKE SURE THE CONFIRMED ORDER TO THE FACTORY REFLECTS THE INFORMATION HEREIN.
2.	INSTALLATION: THESE DRAWINGS ARE NOT INTENDED TO BE USED AS INSTALLATION INSTRUCTIONS. INSTALLATION INSTRUCTIONS ARE AVAILABLE ONLINE AT WWW.FLEETWOODUSA.COM UNDER EACH PRODUCT PAGE, OR BY REQUEST.
3.	FIELD TESTING: ALL STRUCTURALLY LABELED FLEETWOOD DOORS AND WINDOWS WILL BE MANUFACTURED IN PRECISELY THE SAME MANNER AS THE APPROVED CERTIFIED TEST SPECIMEN. THERE IS NO OTHER SPECIFIC GUARANTEE REGARDING WEATHER PERFORMANCE OR FIELD TEST RESULTS. ANY FIELD TESTING PERFORMED MUST BE PER AAMA 502-90; TEST METHOD Δ AND PERFORMED "IMMEDIATELY AFTER INSTALLATION" AS REQUIRED IN PARAGRAPH TWO OF "SHORT FORM FIELD TESTING SPECIFICATIONS" ON THE INSIDE COVER. FIELD TEST RESULTS WILL NOT BE CONSIDERED VALID UNLESS PERFORMED WITHIN FOUR (4) WEEKS OF SPECIMEN INSTALLATION. DUE TO UNCONTROLLABLE INSTALLATION AND TEST VARIABLES, EXPECT ONLY 75% OF LABORATORY PERFORMANCE RESULT IN TYPICAL FIELD INSTALLATION CONDITIONS. ANY FIELD TEST MUST COMPLY WITH FLEETWOOD'S FIELD TESTING PROCEDURE. THIS PROCEDURE IS AVAILABLE ONLINE AT WWW.FLEETWOODUSA.COM ON THE E-DEALER PAGE, OR BY REQUEST.
4.	CORNER SEALING: BECAUSE OF THE POTENTIAL FOR SEALANT DISRUPTION DURING HANDLING AND ERECTION, THE INSTALLER IS RESPONSIBLE FOR ALL FRAME CORNER SEALS, WHETHER OR NOT THESE FRAMES WERE FACTORY ASSEMBLED.
5.	FRAME MULLIONS, TRANSOMS, & COMPENSATING CHANNELS: FLEETWOOD RECOMMENDS STRUCTURAL ANCHORING OF ALL MULLIONS, TRANSOMS, AND COMPENSATING CHANNELS. THESE HAVE NOT BEEN TESTED FOR AIR, WATER, STRUCTURAL, OR WIND LOAD PERFORMANCE. PRODUCTS ORDERED WITH NAIL-FIN FRAMES WILL REQUIRE THE REMOVAL OF THE NAIL FIN IN THE FIELD BY THE INSTALLER WHERE BLOCK FRAMES ARE REQUIRED. BLOCK FRAMES ARE REQUIRED AT THE JAMBS OF I-MULLED PRODUCTS, THE SILL OF I-MULLED PRODUCTS, AND THE HEAD AND SILL OF STACKED/TRANSOM PRODUCTS. DEAD LOAD FROM FIELD STACKING NEEDS TO BE CONFIRMED WITH A STRUCTURAL ENGINEER.
6.	HARDWARE: MANUFACTURER'S STANDARD
7.	WARRANTY: ALL INVOLVED PARTIES SHOULD REVIEW THE WARRANTY, AND THE TERMS AND CONDITIONS BY WHICH THE JOB WILL BE PROCESSED. A COPY CAN BE REVIEWED ON THE WEBSITE OR BY CONTACTING THE FACTORY DIRECTLY.
8.	WINDOW AND DOOR ELEVATIONS: DO NOT SCALE THE WINDOW AND DOOR ELEVATION DRAWINGS. USE ONLY THE DIMENSIONS PROVIDED ON THE ELEVATIONS FOR REFERENCE. THE INTENT OF THE ELEVATIONS ARE TO SHOW THE OVERALL NET FRAME SIZES AND DEPICT PRODUCT CONFIGURATION. PLEASE CONTACT THE FACTORY WHEN CRITICAL DIMENSIONS, SUCH AS INTERLOCKER CENTERLINES, ARE REQUIRED.

GENERAL NOTES	
1.	ELEVATIONS ARE SHOWN FROM EXTERIOR UNLESS OTHERWISE NOTED
2.	ANCHOR / WALL FASTENER - LOCATION, SPACING AND QUANTITY TO BE DETERMINED PER DESIGN PRESSURE REQUIREMENTS BY STRUCTURAL ENGINEER AND/OR CERTIFIED TEST DRAWINGS
3.	THE FOLLOWING TABLES ARE THIS JOBS SPECIFIC SERIES DEFAULT OPTIONS UNLESS NOTED ON AN ELEVATION.
4.	INITIAL RELEASE PER QUOTE

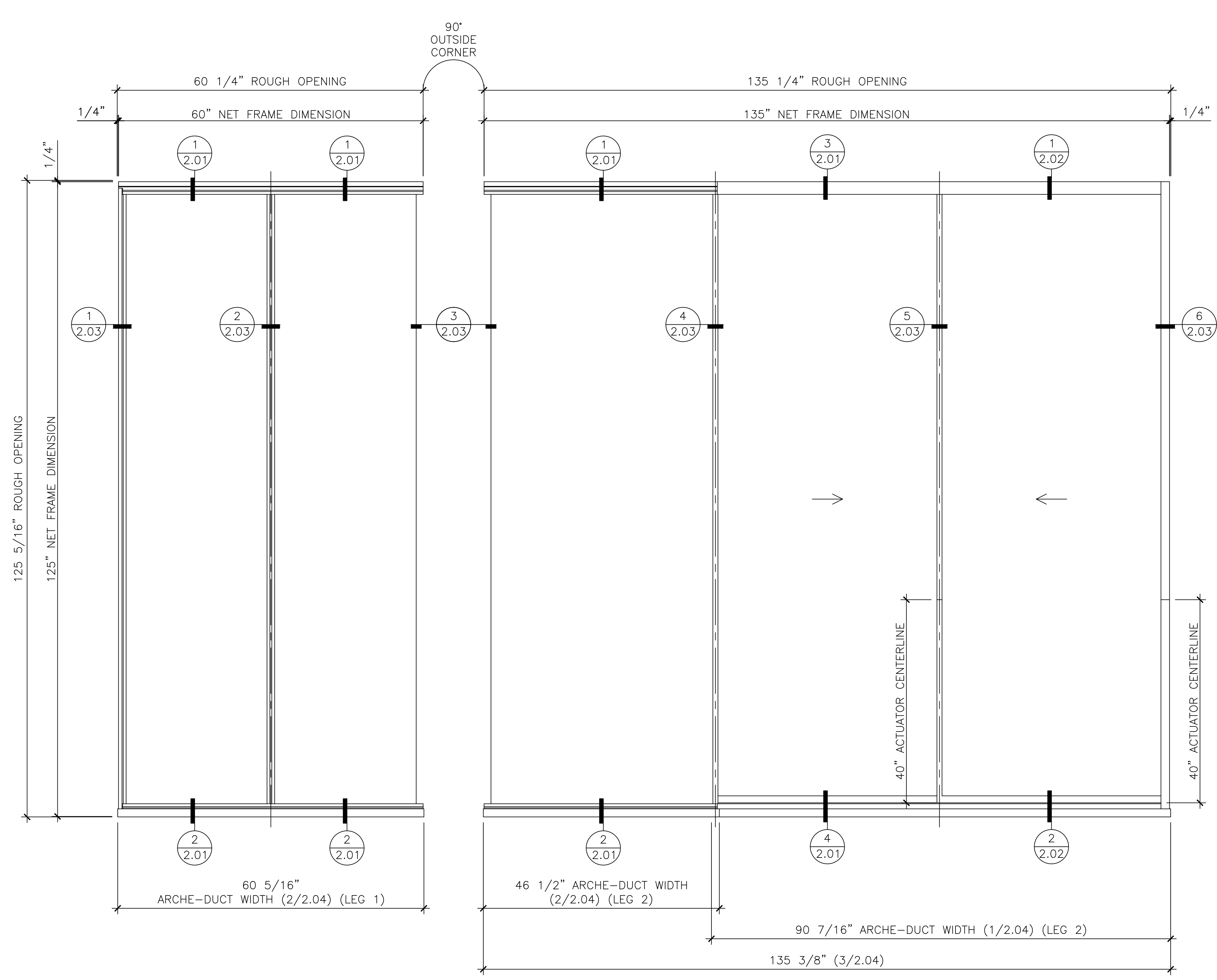
  

EDGE  s	
PRODUCT DESCRIPTION:	MULTISLIDE DOOR
FINISH:	CLASS 1, BLACK ANODIZED
HARDWARE:	BLACK PAINTED STAINLESS STEEL
GLASS:	1.25" LOW-IRON 6MM-T, 0.75 AIR, LOW-IRON 6MM-T (GLAZED)
FRAME:	BLOCK (FIELD ASSEMBLED)
ACTUATOR HEIGHT:	40" (FROM BOTTOM OF PANEL)
ARCHE-DUCT:	OPT-B;(1" BOTTOM DRAIN-EXT)
DRAIN FROM EDGE:	B"
DRAIN SPACING:	60"
FIN PULL:	YES-FIN LEAD STILE (ROOM SIDE ONLY)(OPT-B)
HEAD:	STANDARD (STAGGERED)
KEEL SHEAVE:	(A4-E),(A1-E)
KEEPS:	FIN-BOTH (OPT-D)
O-PANEL FIN:	STANDARD
O-PANEL HEAD:	STANDARD
O-PANEL TYPE:	EDGE  f  (OPT-B)
SILL:	(SFD-E)-STAGGERED

**INITIAL RELEASE NOTES**

1. STAGGERED TRACKS MAY OFFSET FRAME/ WALL CONDITIONS. HEAD/SILL SECTION VIEWS SHOW MAXIMUM FRAME DEPTH.

FOR ILLUSTRATION ONLY



- D1 (1) ONE REQ'D THUS  
EDGE |s| 00VOIXX  
ROOM REF.:
- ACTIVE SIDE: RIGHT (CUSTOM)  
LEAD PANEL RIGHT: FIN STILE-INT. W/ BLADE (OPT-D)  
O-PANEL CORNER GLAZING: EQUAL OFFSET  
O-PANEL KEEPS: WITHOUT FIN (STD)(OPT-A)  
O-PANEL SILL: STANDARD (W/ SHELF)  
REVERSE KEEPS: BLADE IN FIN-KEEP(S), REVERSE STACK (OPT-A)  
SHEAVE COVER: BLACK S.S.  
SHEAVE WHEEL: BLACK S.S.  
STACKS TO: THE INTERIOR (OF THE LEFT PANEL)
- NOTES:  
1. REFERENCE DETAIL 3/2.04 FOR ARCHE-DUCT OVERVIEW

COMMENTS	DRAWN BY	DATE	REVISIONS	DATE	DRAWN BY	JOB NUMBER
MATERIAL: EDGE  s  EDGE  f	JOB NUMBER:					
CUSTOMER: JOB NAME:						

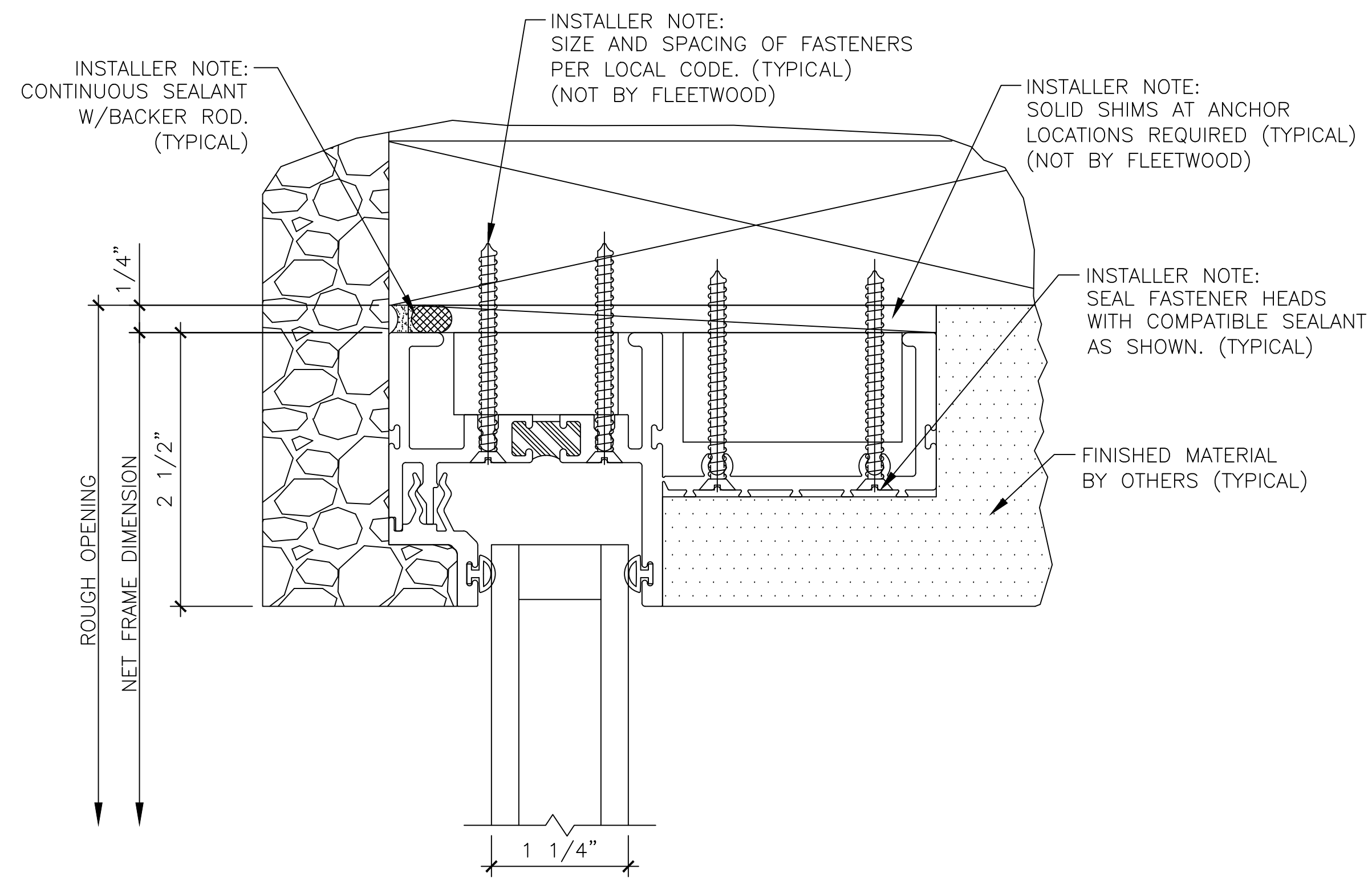
1 FLEETWOOD WAY  
CORONA, CA 92879  
www.fleetwoodusa.com

**FLEETWOOD**  
WINDOWS & DOORS

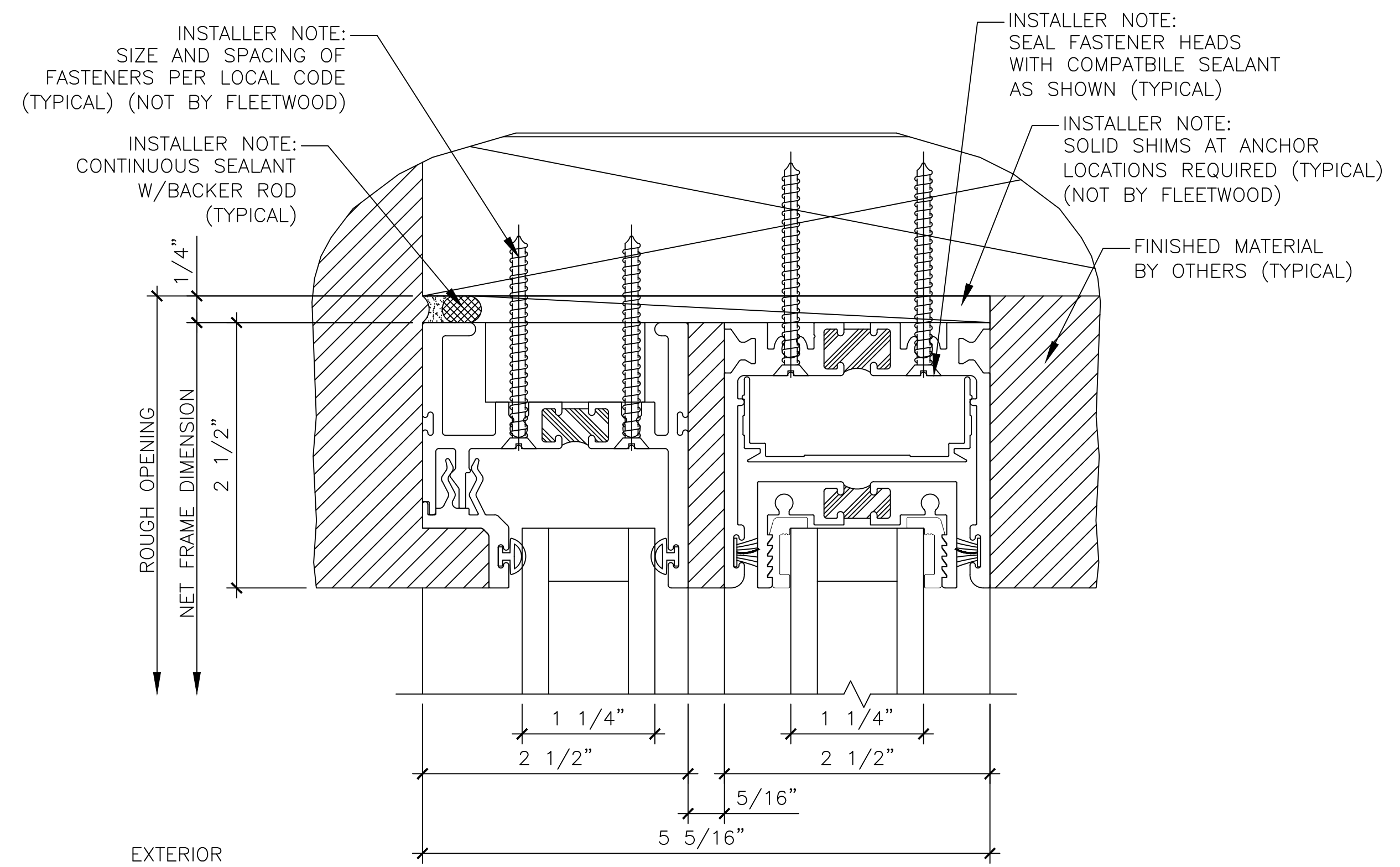
SCALE : 1" = 1"

DRAWING NO. : 1.01

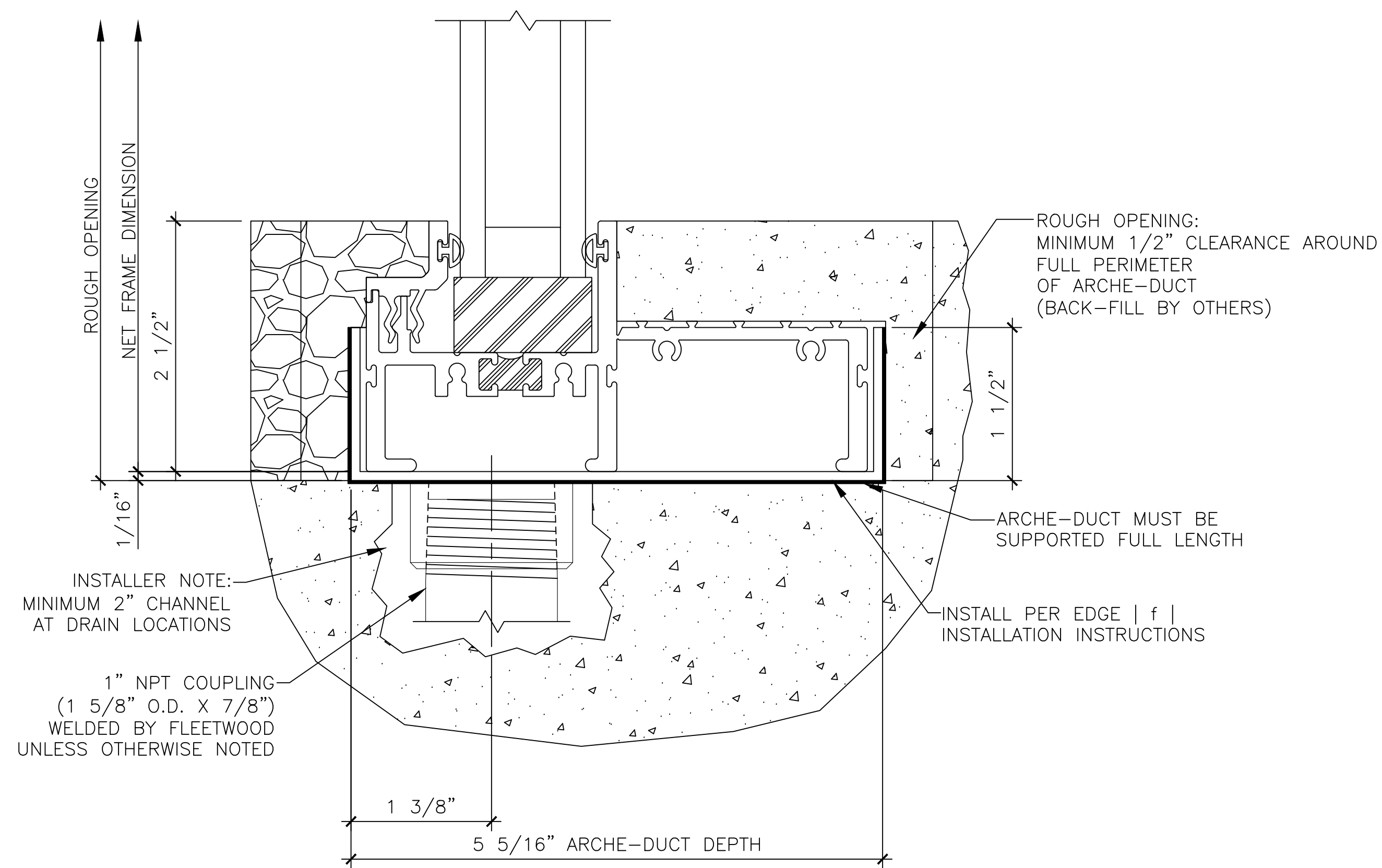
SHEET : 1 OF 5



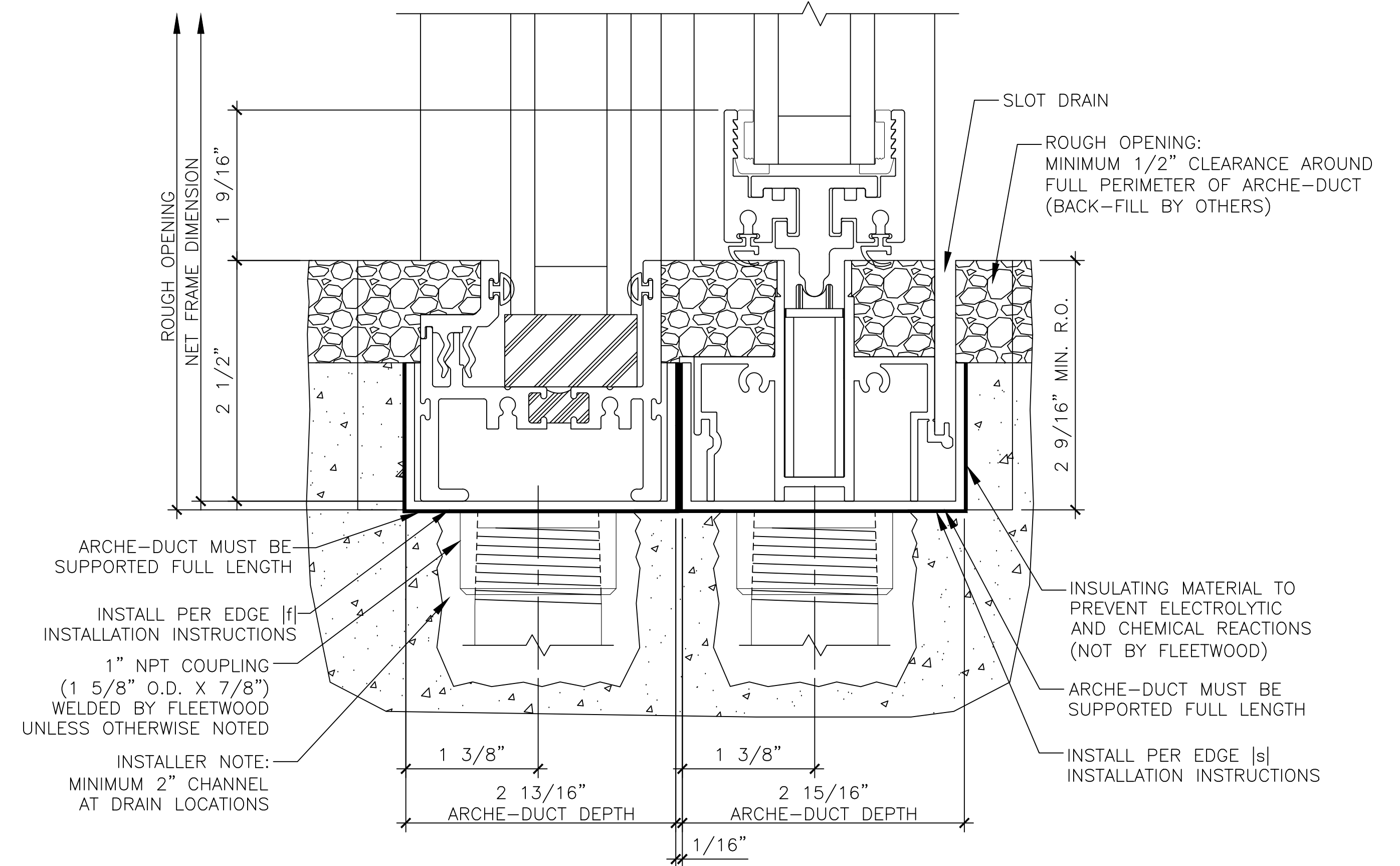
1 EDGE |f| STANDARD HEAD  
SCALE: 1'-0"=1'-0"



3 EDGE |f| STANDARD HEAD/EDGE |s| HEAD  
SCALE: 1'-0"=1'-0"

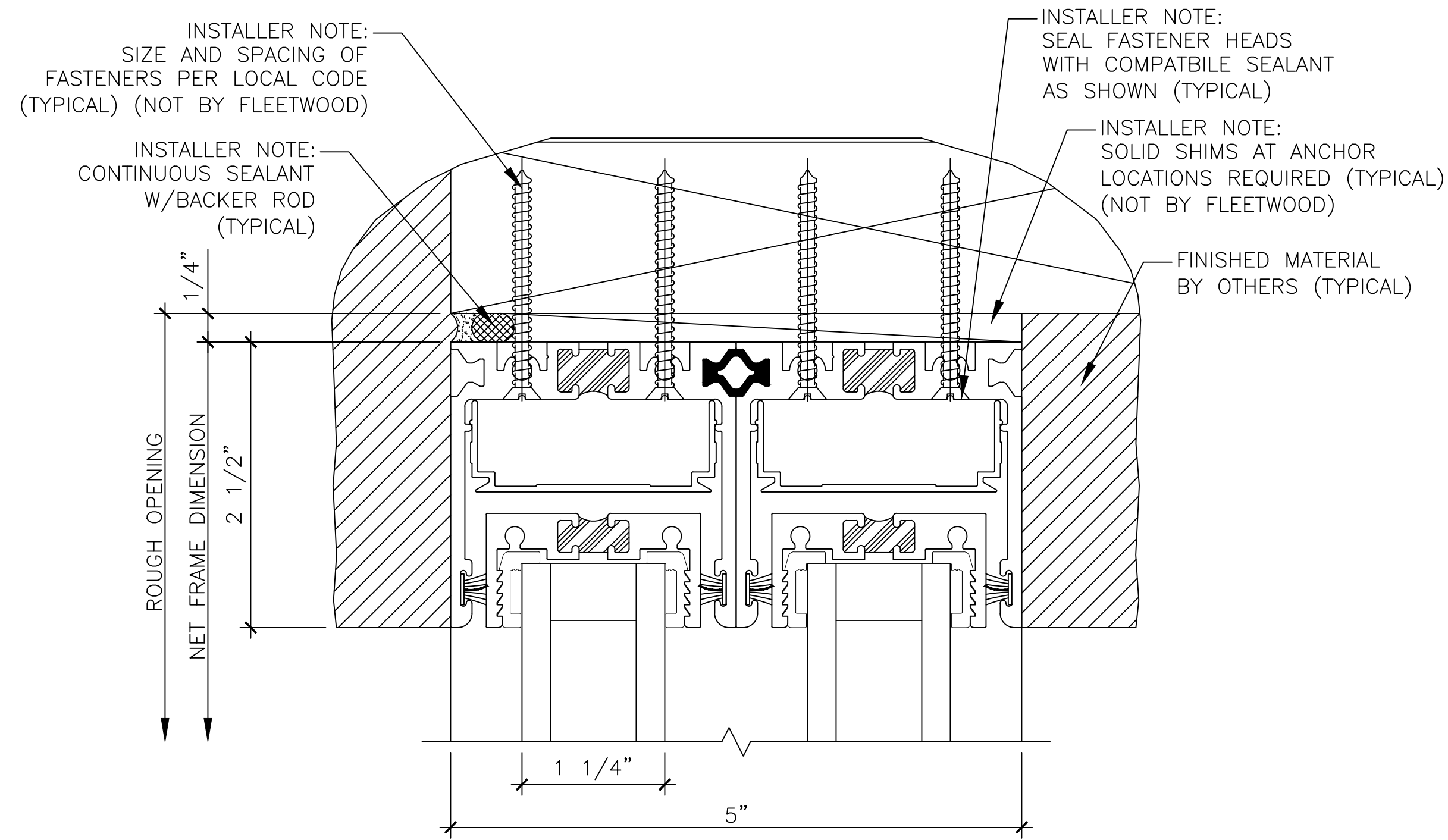


2 EDGE |f| STANDARD SILL  
SCALE: 1'-0"=1'-0"



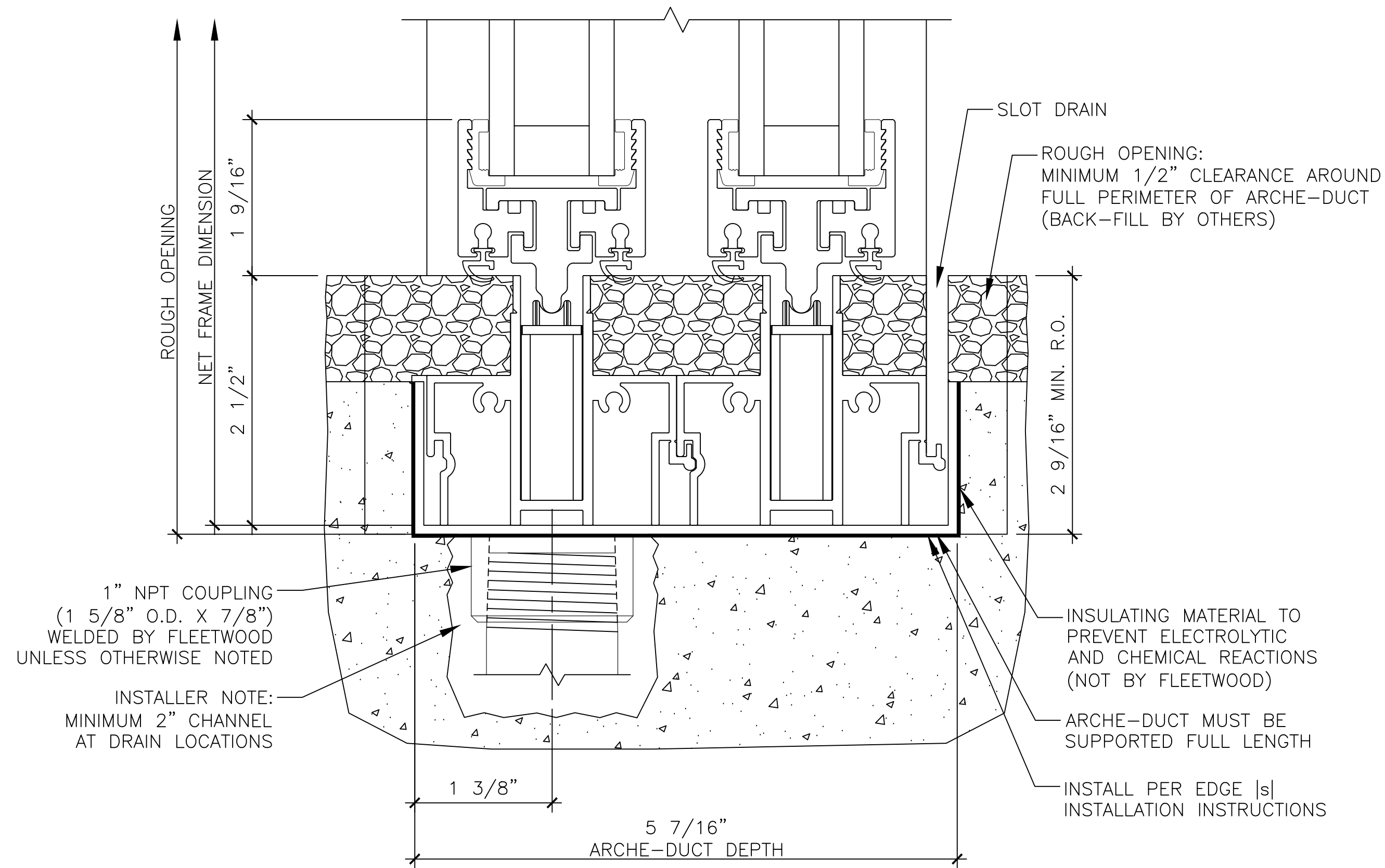
4 EDGE |f| STANDARD SILL/EDGE |s| SILL  
SCALE: 1'-0"=1'-0"

COMMENTS				
DRAWN BY				
DATE				
REVISIONS				
DATE:				
DRAWN BY:				JOB NUMBER:
MATERIAL:	EDGE  f	EDGE  s		CUSTOMER:
				JOB NAME:
<p>1 FLEETWOOD WAY CORONA, CA 92879 www.fleetwoodusa.com</p> <p><b>FLEETWOOD</b> WINDOWS &amp; DOORS</p>				
SCALE: 1' = 1'				
DRAWING NO.: 2.01				
SHEET: 2 OF 5				



EXTERIOR

1 EDGE |s| HEAD  
SCALE: 1'-0"=1'-0"



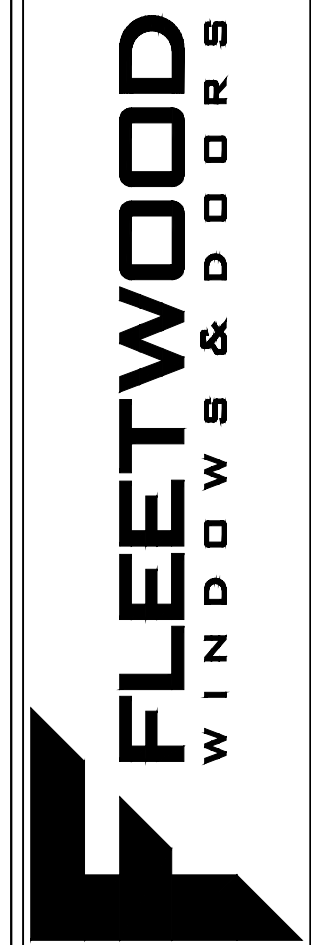
2 EDGE |s| SILL  
SCALE: 1'-0"=1'-0"

REVISIONS	DATE	DRAWN BY	COMMENTS

DRAWN BY:	JOB NUMBER:
MATERIAL:	CUSTOMER:
EDGE  s	
EDGE  f	JOB NAME:

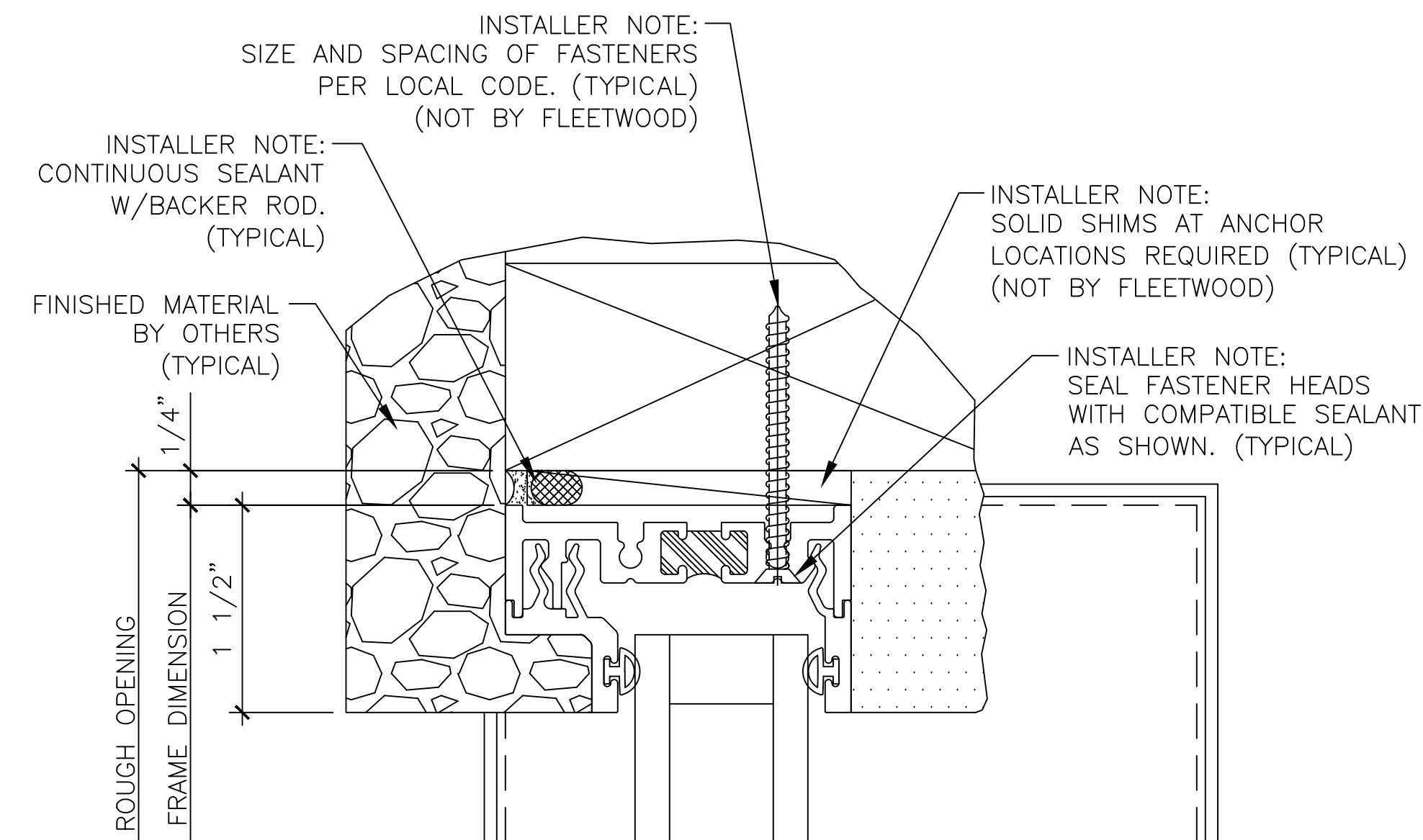
1 FLEETWOOD WAY  
CORONA, CA 92879  
www.fleetwoodusa.com



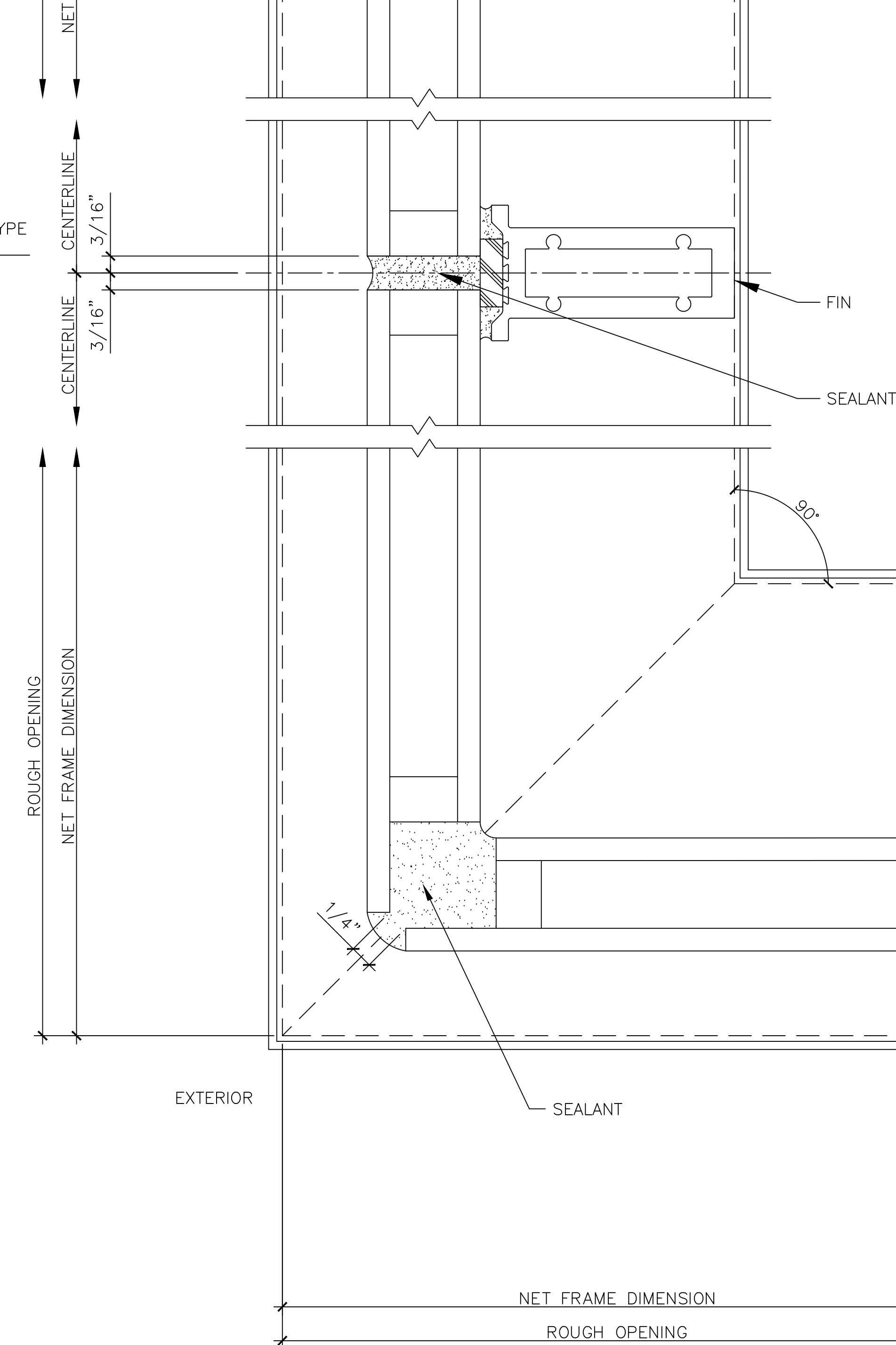
SCALE :  
1' = 1'

DRAWING NO. :  
**2.02**

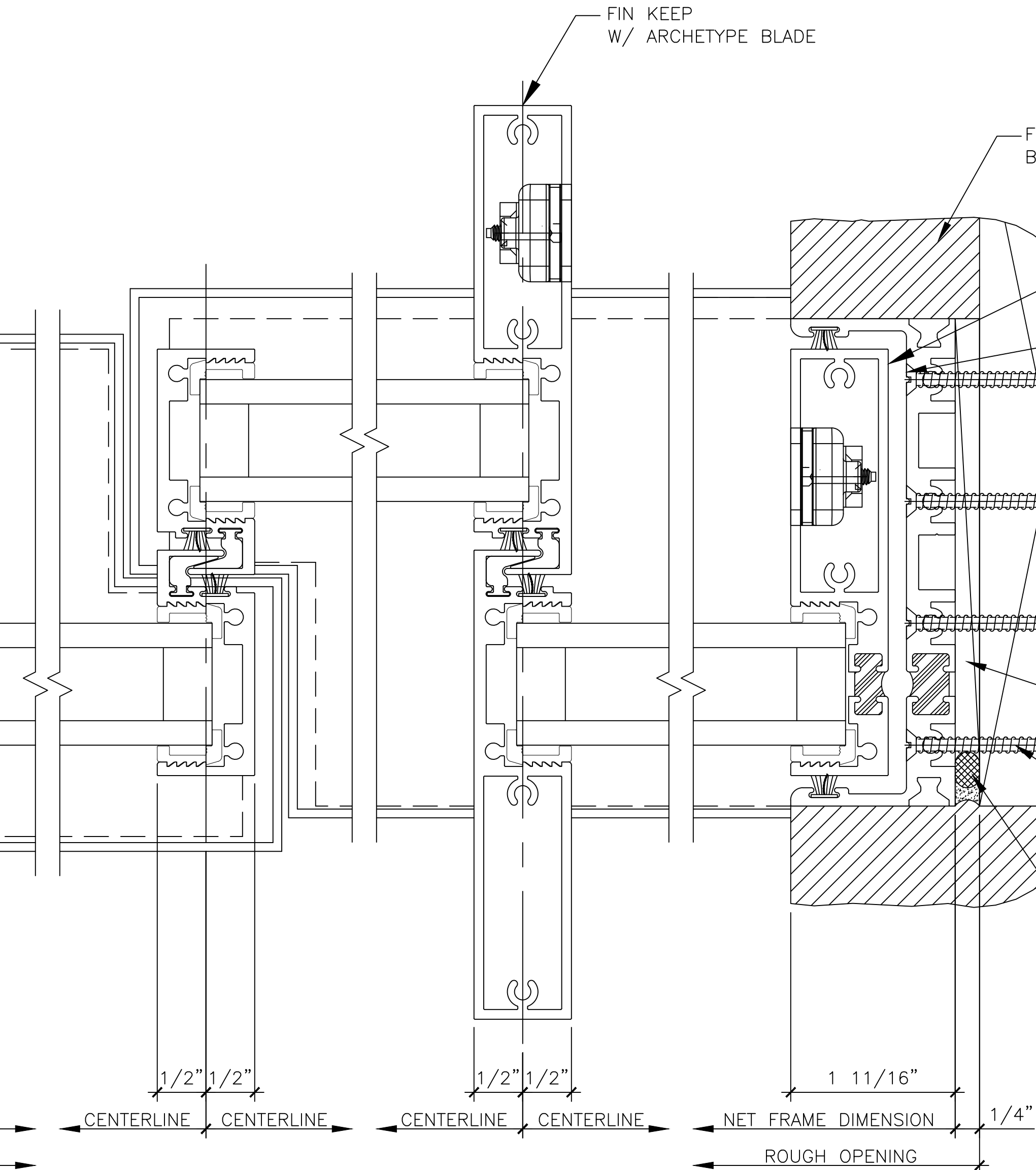
SHEET :  
3 OF 5



1 EDGE [s]-EDGE [f] O-PANEL TYPE JAMB  
SCALE: 1"=0"=1'-0"



2 EDGE [s]-EDGE [f] O-PANEL TYPE BUTT GLAZING  
SCALE: 1"=0"=1'-0"

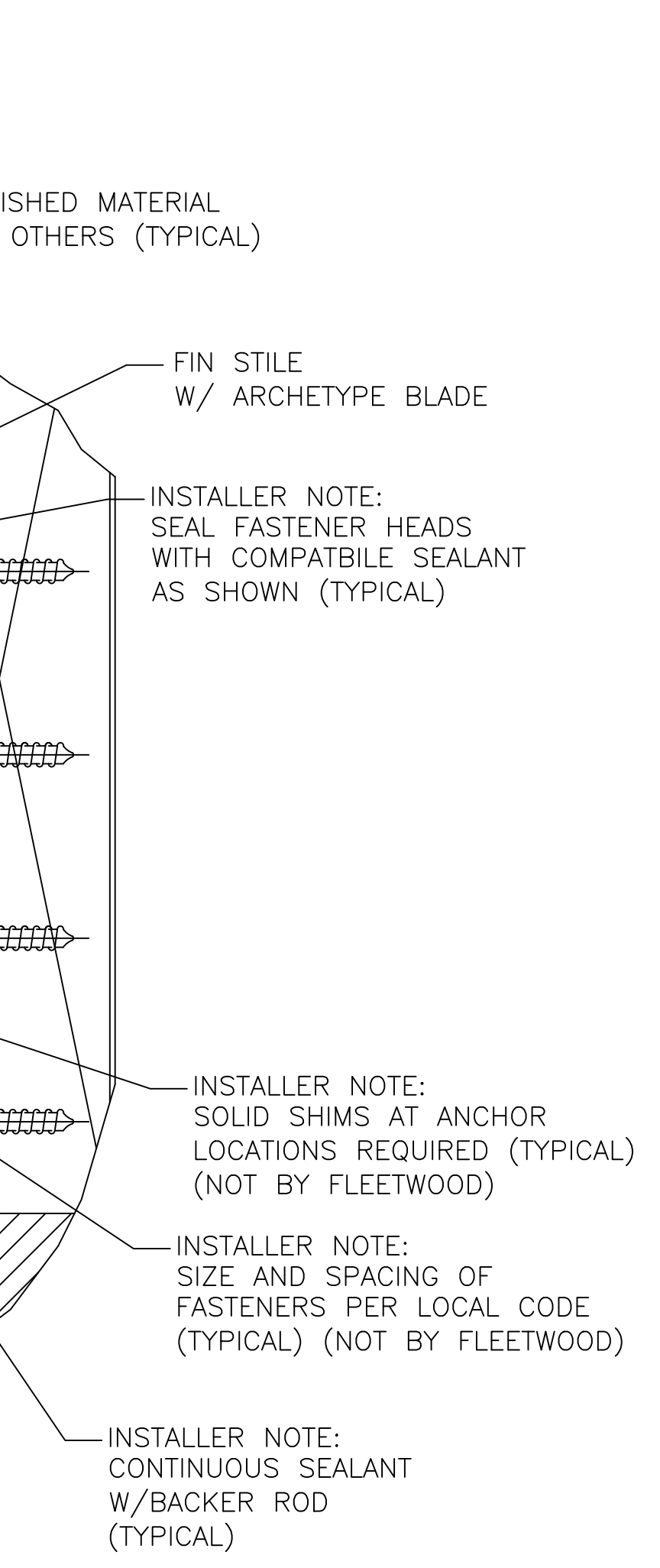


3 EDGE [s]-EDGE [f] O-PANEL TYPE 90° OUTSIDE CORNER (EQUAL OFFSET)  
SCALE: 1"=0"=1'-0"

4 EDGE [s] KEEPS  
SCALE: 1"=0"=1'-0"

5 EDGE [s] KEEPS  
SCALE: 1"=0"=1'-0"

6 EDGE [s] JAMB  
SCALE: 1"=0"=1'-0"



REVISIONS	DATE	DRAWN BY	COMMENTS

MATERIAL:	EDGE [s] EDGE [f]
CUSTOMER:	JOB NAME:

DATE:	JOB NUMBER:

1 FLEETWOOD WAY  
CORONA, CA 92879  
www.fleetwoodusa.com

**FLEETWOOD**  
WINDOWS & DOORS

SCALE: 1"=1"

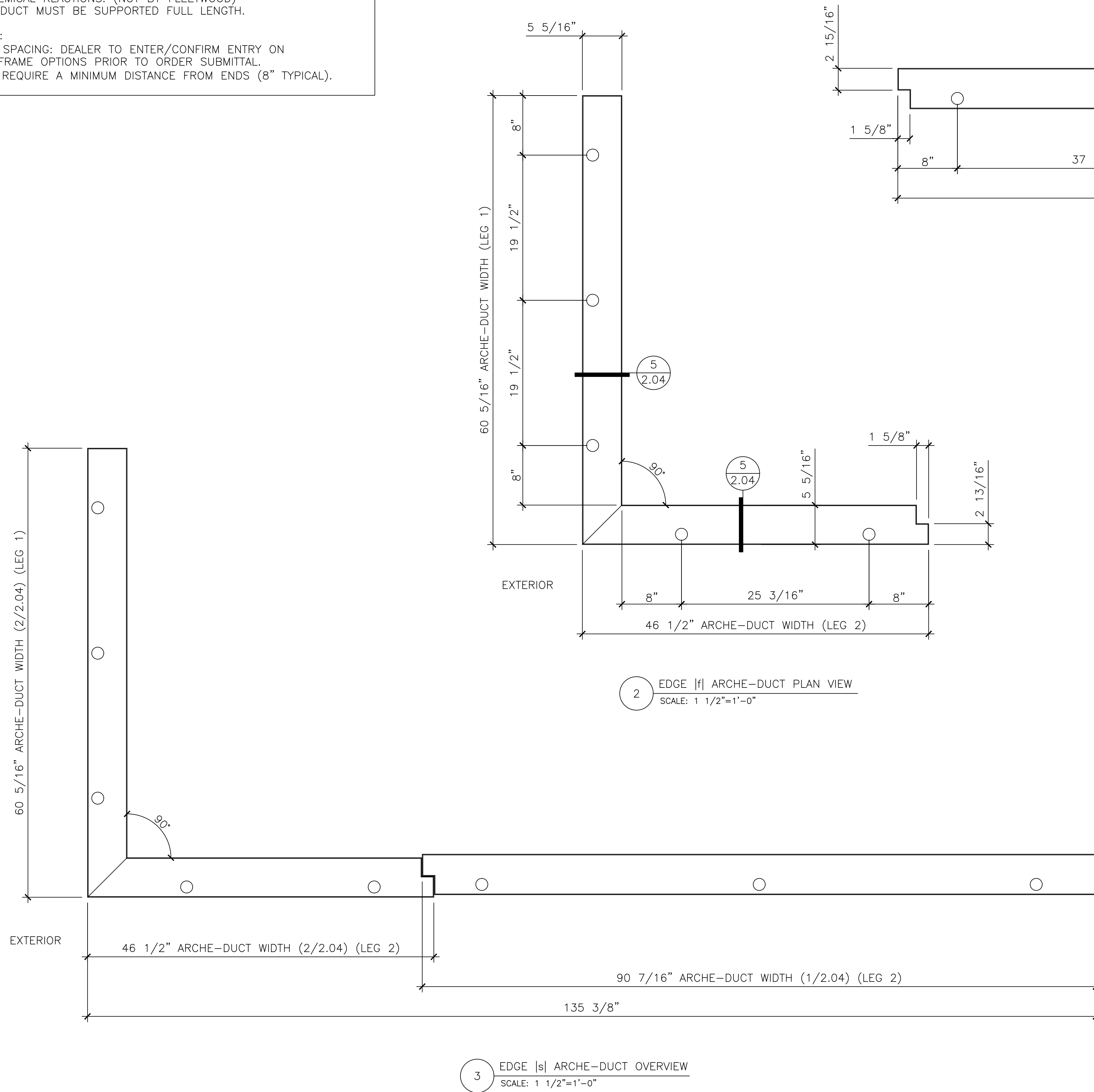
DRAWING NO.: 2.03

SHEET: 4 OF 5

FABRICATION NOTES:  
 1. ALL DIMENSIONS ARE OUTSIDE DIMENSIONS UNLESS OTHERWISE NOTED.  
 2. DRAINS TO BE WELDED PER DIMENSIONS  $\pm 1/8"$  BY FLEETWOOD.

INSTALLER NOTES:  
 1. INSTALLER TO INSTALL PER INSTALLATION INSTRUCTIONS.  
 2. ROUGH OPENING: MINIMUM  $1/2"$  CLEARANCE AROUND FULL PERIMETER OF ARCHE-DUCT. (BACK-FILL BY OTHERS)  
 3. MINIMUM  $2"$  CHANNEL AT DRAIN LOCATIONS.  
 4. MINIMUM  $2-1/16"$  ROUGH OPENING DEPTH.  
 5. USE INSULATING MATERIAL TO PREVENT ELECTROLYTIC AND CHEMICAL REACTIONS. (NOT BY FLEETWOOD)  
 6. ARCHE-DUCT MUST BE SUPPORTED FULL LENGTH.

DEALER NOTES:  
 1. DRAIN SPACING: DEALER TO ENTER/CONFIRM ENTRY ON ORDER FRAME OPTIONS PRIOR TO ORDER SUBMITTAL.  
 2. DRAINS REQUIRE A MINIMUM DISTANCE FROM ENDS ( $8"$  TYPICAL).



REVISIONS	DATE	DRAWN BY	COMMENTS

MATERIAL:	EDGE [s] EDGE [f]
CUSTOMER:	JOB NUMBER: JOB NAME:

1 FLEETWOOD WAY  
 CORONA, CA 92879  
 www.fleetwoodusa.com

**FLEETWOOD**  
 W I N D O W S & D O O R S

SCALE :  
 1 1/2" = 1'

DRAWING NO. :  
**2.04**

SHEET :  
 5 OF 5