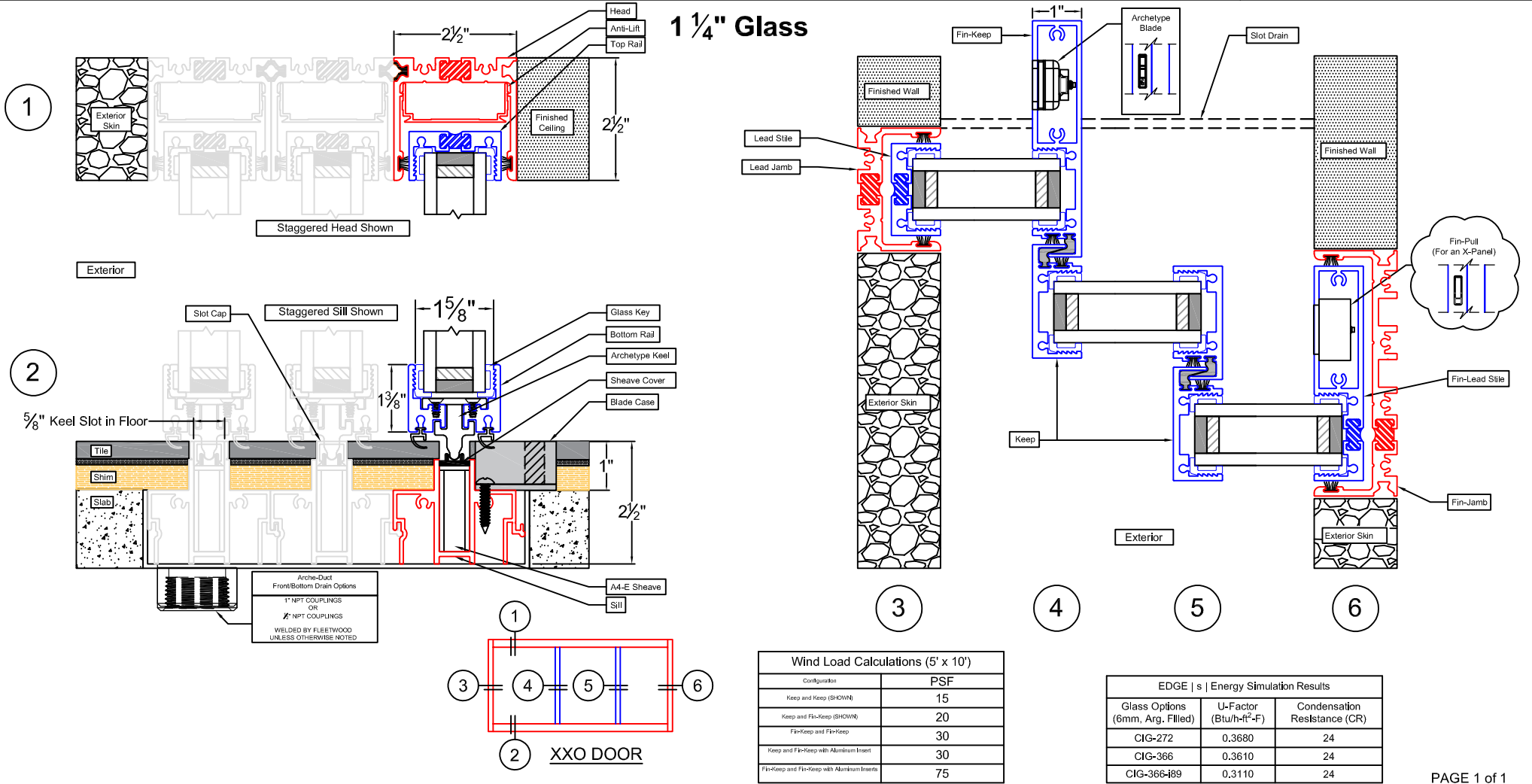


EDGE | s | - XXO Definitions Drawing

(Patent Pending)

10/13/2020



Wind Load Calculations (5' x 10')

Configuration	PSF
Keep and Keep (SHOWN)	15
Keep and Fin-Keep (SHOWN)	20
Fin-Keep and Fin-Keep	30
Keep and Fin-Keep with Aluminum Insert	30
Fin-Keep and Fin-Keep with Aluminum Inserts	75

EDGE | s | Energy Simulation Results

Glass Options (6mm, Arg. Filled)	U-Factor (Btu/h-ft ² -F)	Condensation Resistance (CR)
CIG-272	0.3680	24
CIG-366	0.3610	24
CIG-366-I89	0.3110	24