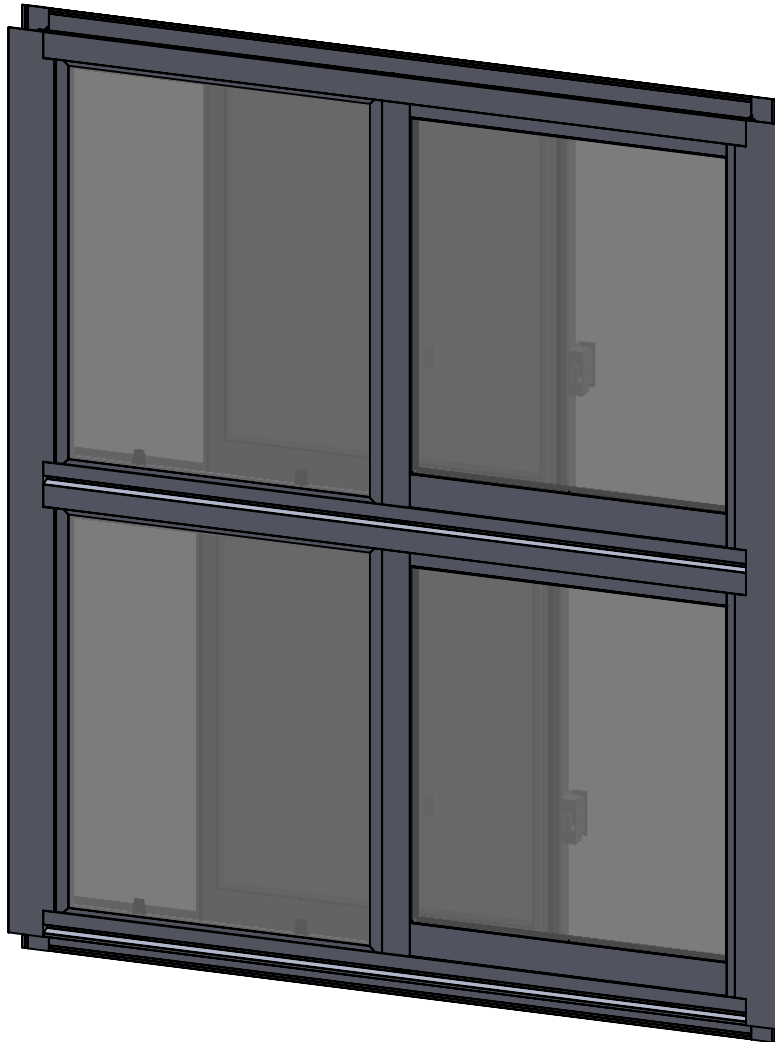


ASSEMBLY / PARTS LIST (B.O.M.)

Series: 530-T
Type: XO/XO Configuration

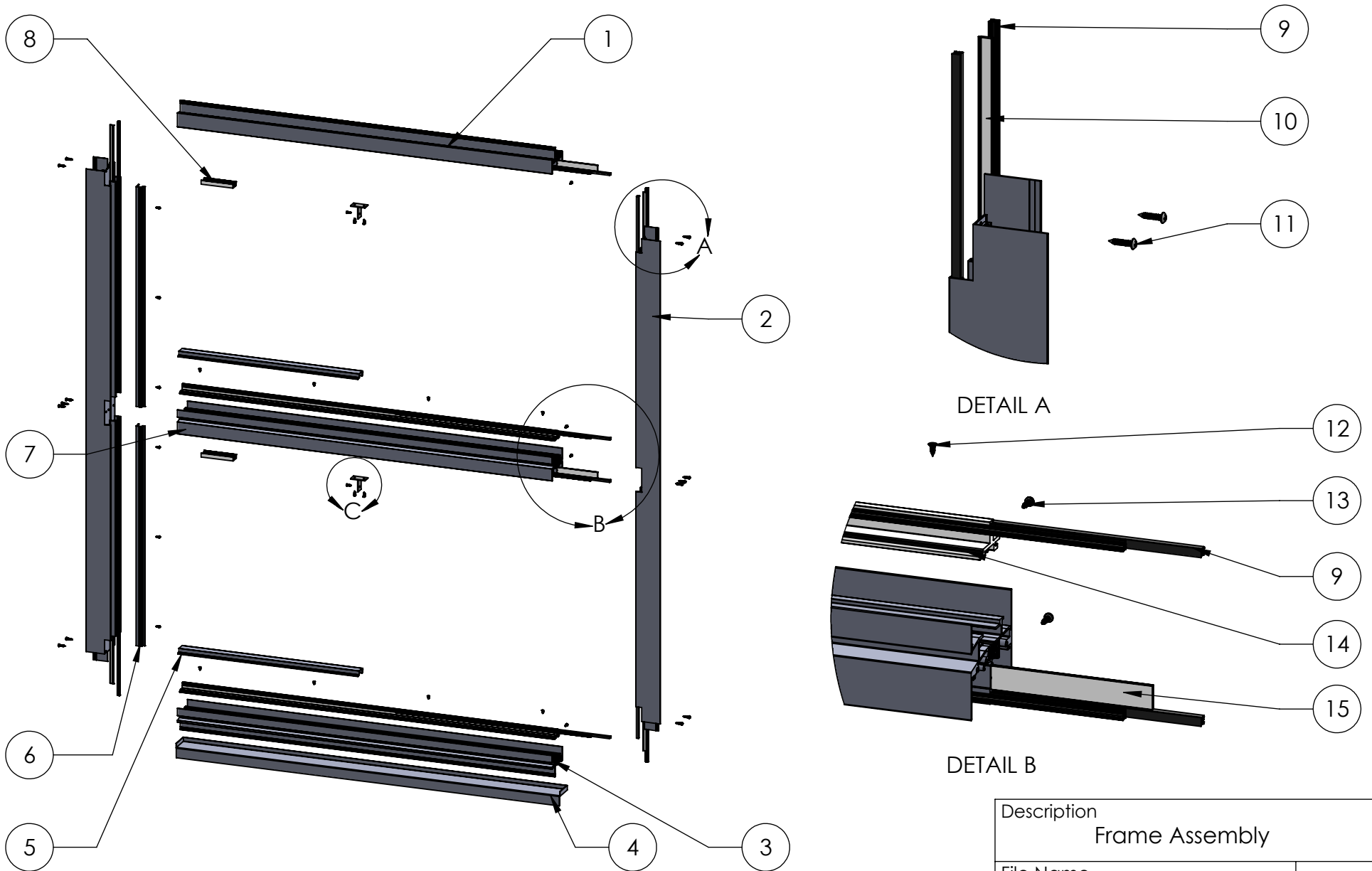


ITEM NO.	DESCRIPTION	QTY.	PAGE #
1	Frame Assembly	1	2-3
2	X Panel Assembly	2	4-5
3	O Panel Assembly	2	6-7
4	Screen Assembly	2	8

Description Table of Contents	
File Name Series 530-T XO/XO Assembly	REV -
Released 8/29/2017	SHEET 1 OF 8

PROPRIETARY AND CONFIDENTIAL
 THE INFORMATION CONTAINED IN THIS DRAWING IS THE SOLE PROPERTY OF FLEETWOOD WINDOWS & DOORS.
 ANY REPRODUCTION IN PART OR AS A WHOLE WITHOUT THE WRITTEN PERMISSION OF FLEETWOOD WINDOWS & DOORS IS PROHIBITED.

ASSEMBLY / PARTS LIST (B.O.M.)



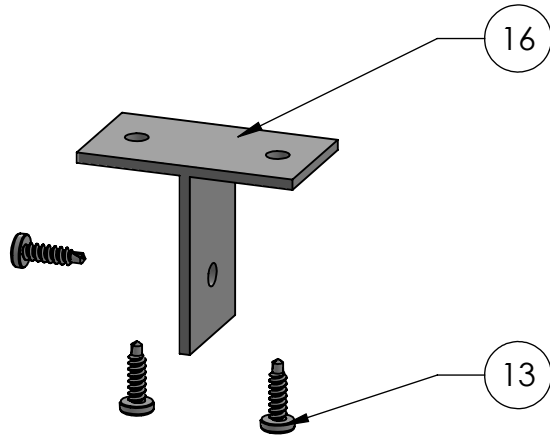
DETAIL A

DETAIL B

PROPRIETARY AND CONFIDENTIAL
 THE INFORMATION CONTAINED IN THIS DRAWING IS THE SOLE PROPERTY OF FLEETWOOD WINDOWS & DOORS.
 ANY REPRODUCTION IN PART OR AS A WHOLE WITHOUT THE WRITTEN PERMISSION OF FLEETWOOD WINDOWS & DOORS IS PROHIBITED.

Description Frame Assembly	
File Name Series 530-T XO/XO Assembly	REV -
Released 8/29/2017	SHEET 2 OF 8

ASSEMBLY / PARTS LIST (B.O.M.)



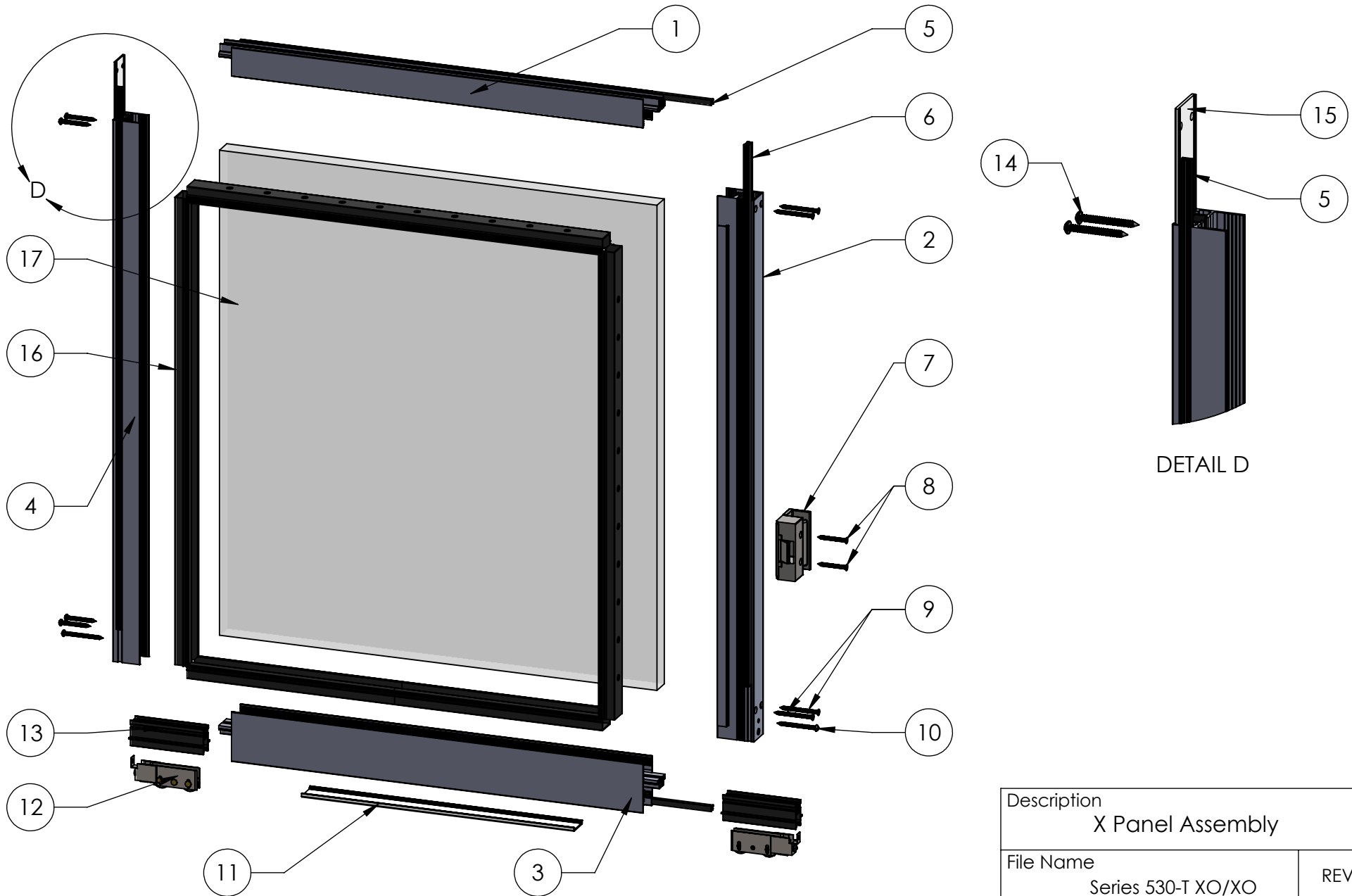
DETAIL C

EXTRUSIONS			
ITEM NO.	PART NUMBER	DESCRIPTION	QTY.
1	5309	Nail-on Head	1
2	5301	Nail-On Jamb	2
3	5343	Nail-on Sill	1
4	SPN530N	Nailfin Sill Pan	1
5	5311	Sill Filler/Closer	2
6	5390	Screen Adapter (Slider Jamb)	2
7	5367	Integral Stack Bar (Std)	1
HARDWARE			
ITEM NO.	PART NUMBER	DESCRIPTION	QTY.
8	22918	Anti-Lift/Fix Pan Guide (BL1397)	2
9	19118	Small Fin Seal Mohair (23027045BKQB)	14
10	BL1394	PVC Jamb Isolator	4
11	20314	#8 PHP-A Screw, .75 in, SS, Clear	14
12	20901	#6 X 3/8" UC FHSM	Varies
13	20225	#6 PHP-TEK, .375, SS, Clear	Varies
14	19092	PVC Sill Center	2
15	19095	PVC Head Filler (BL1265)	2
16	25766, 25767	T-Clip, (Clear, Bronze)	2

Description Frame Assembly	
File Name Series 530-T XO/XO Assembly	REV -
Released 8/29/2017	SHEET 3 OF 8

PROPRIETARY AND CONFIDENTIAL
 THE INFORMATION CONTAINED IN THIS DRAWING IS THE SOLE PROPERTY OF FLEETWOOD WINDOWS & DOORS.
 ANY REPRODUCTION IN PART OR AS A WHOLE WITHOUT THE WRITTEN PERMISSION OF FLEETWOOD WINDOWS & DOORS IS PROHIBITED.

ASSEMBLY / PARTS LIST (B.O.M.)



PROPRIETARY AND CONFIDENTIAL
THE INFORMATION CONTAINED IN THIS DRAWING IS THE SOLE PROPERTY OF FLEETWOOD WINDOWS & DOORS.
ANY REPRODUCTION IN PART OR AS A WHOLE WITHOUT THE WRITTEN PERMISSION OF FLEETWOOD WINDOWS & DOORS IS PROHIBITED.

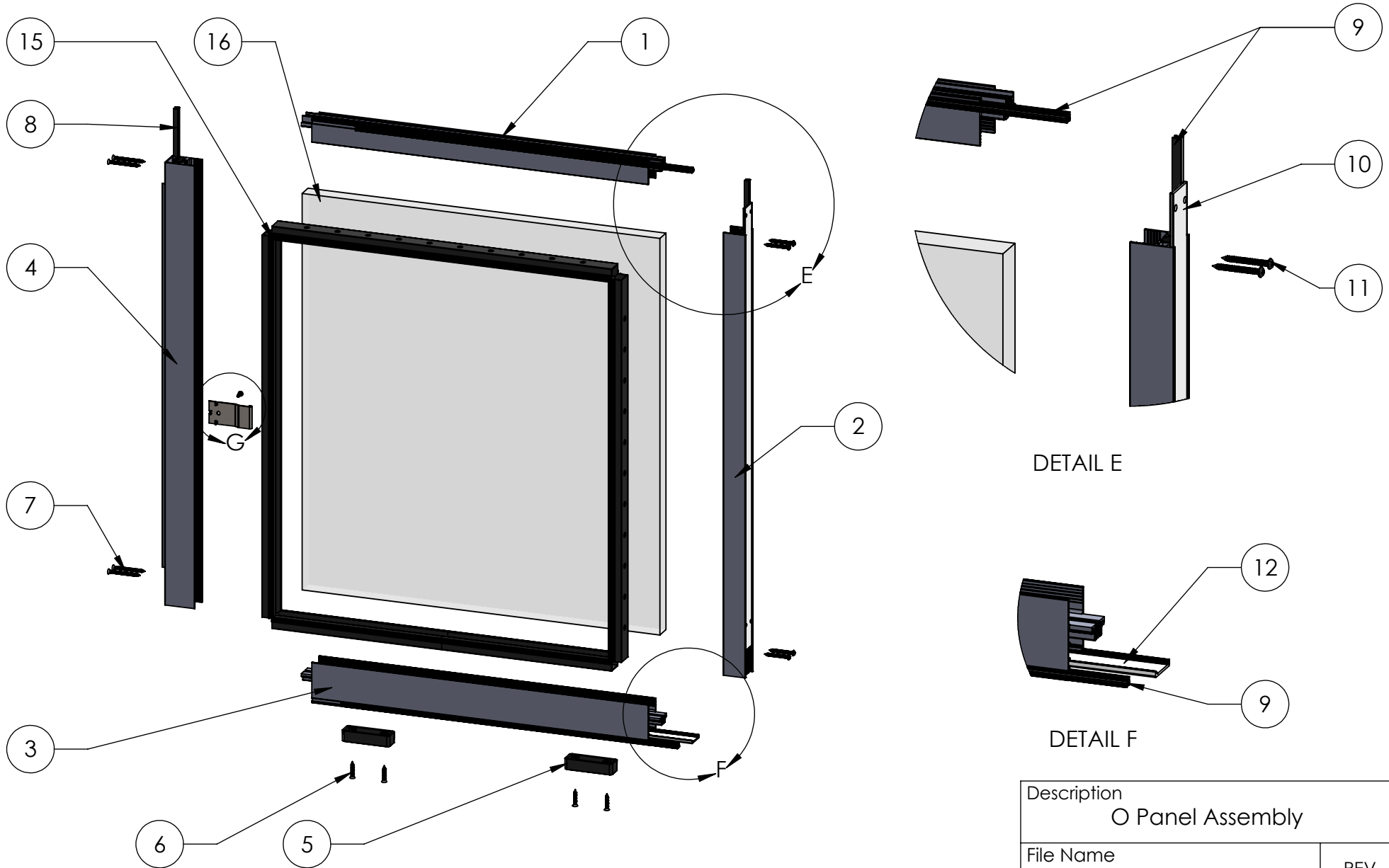
Description X Panel Assembly	
File Name Series 530-T XO/XO Assembly	REV -
Released 8/29/2017	SHEET 4 OF 8

ASSEMBLY / PARTS LIST (B.O.M.)

EXTRUSIONS			
ITEM NO.	PART NUMBER	DESCRIPTION	QTY.
1	5348	Top Rail DG	1
2	5371	Sliding Interlock DG	1
3	5349	Bottom Rail DG	1
4	5338	Lead Stile DG	1
HARDWARE			
ITEM NO.	PART NUMBER	DESCRIPTION	QTY.
5	19118	Small Fin Seal Mohair (23027045BKQB)	3
6	20516	X-Large Fin Seal Weatherstrip (50027045BKGB)	1
7	24636	Archetype Sliding Window Latch SS (170-000)	1
8	20252	Flat Head Phillips Sheet Metal Screw No 8 Size, 1.5"	2
9	20258	#8 FHP - A, 2.0 in, SS, Clear	4
10	20326, 20327	#8 PHP - A, 2.0", SS, (Clear, Black)	2
11	22938	Bottom Rail Spreader (BL 798)	1
12	18894	Aspen Tandem Nylon Roller	2
13	19107	Roller Insert - Wheel Housing (AN 9853)	2
14	20324	#8 PHP - A, 1.5", SS, Black	4
15	19113	PVC Spreader bar, Leadstille (KB 1395)	1
16	19056	1" Glazing Vinyl (Shown)	1
17	-	Glass	1

Description X Panel Assembly	
File Name Series 530-T XO/XO Assembly	REV -
Released 8/29/2017	SHEET 5 OF 8

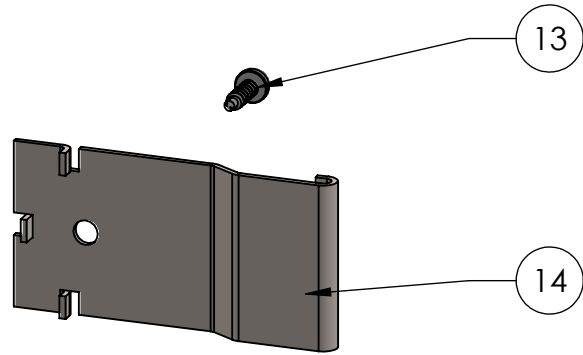
ASSEMBLY / PARTS LIST (B.O.M.)



PROPRIETARY AND CONFIDENTIAL
 THE INFORMATION CONTAINED IN THIS DRAWING IS THE SOLE PROPERTY OF FLEETWOOD WINDOWS & DOORS.
 ANY REPRODUCTION IN PART OR AS A WHOLE WITHOUT THE WRITTEN PERMISSION OF FLEETWOOD WINDOWS & DOORS IS PROHIBITED.

Description O Panel Assembly	
File Name Series 530-T XO/XO Assembly	REV -
Released 8/29/2017	SHEET 6 OF 8

ASSEMBLY / PARTS LIST (B.O.M.)



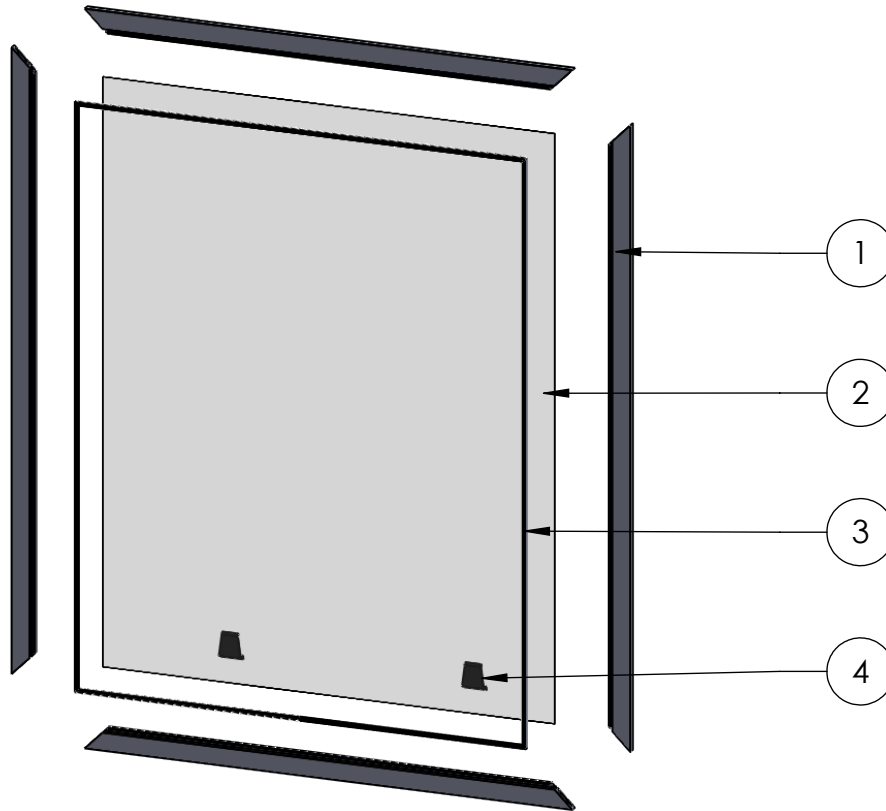
DETAIL G

EXTRUSIONS			
ITEM NO.	PART NUMBER	DESCRIPTION	QTY.
1	5348	Top Rail DG	1
2	5338	Lead Stile DG	1
3	5349	Bottom Rail DG	1
4	5370	Fixed Interlock DG	1
HARDWARE			
ITEM NO.	PART NUMBER	DESCRIPTION	QTY.
5	25386	Fix Panel Block	2
6	20248	#8 FHP - A, 1", SS, Black	4
7	20258	#8 FHP - A, 2.0 in, SS, Clear	4
8	19117	Large Fin Seal Mohair (23027045BKGB)	1
9	19118	Small Fin Seal Mohair (23027045BKQB)	3
10	19113	PVC Spreader Bar, Leadstile (KB 1395)	1
11	20324	#8 PHP - A, 1.5", SS, Black	4
12	22938	Bottom Rail Spreader (BL 798)	1
13	20225	#6 PHP-TEK, .375, SS, Clear	1
14	24106	Aspen Strike Plate (Keeper)	1
15	19056	1" Glazing Vinyl (Shown)	1
16	-	Glass	1

Description O Panel Assembly	
File Name Series 530-T XO/XO Assembly	REV -
Released 8/29/2017	SHEET 7 OF 8

PROPRIETARY AND CONFIDENTIAL
 THE INFORMATION CONTAINED IN THIS DRAWING IS THE SOLE PROPERTY OF FLEETWOOD WINDOWS & DOORS.
 ANY REPRODUCTION IN PART OR AS A WHOLE WITHOUT THE WRITTEN PERMISSION OF FLEETWOOD WINDOWS & DOORS IS PROHIBITED.

ASSEMBLY / PARTS LIST (B.O.M.)



EXTRUSIONS			
ITEM NO.	PART NUMBER	DESCRIPTION	QTY.
1	114	5/16" Screen Frame	4
HARDWARE			
ITEM NO.	PART NUMBER	DESCRIPTION	QTY.
2	25705	Screen Mesh	1
3	19127	Screen Rubber Spline 0.15"	1
4	25945	Screen Tab	2

Description Screen Assembly	
File Name Series 530-T XO/XO Assembly	REV -
Released 8/29/2017	SHEET 8 OF 8