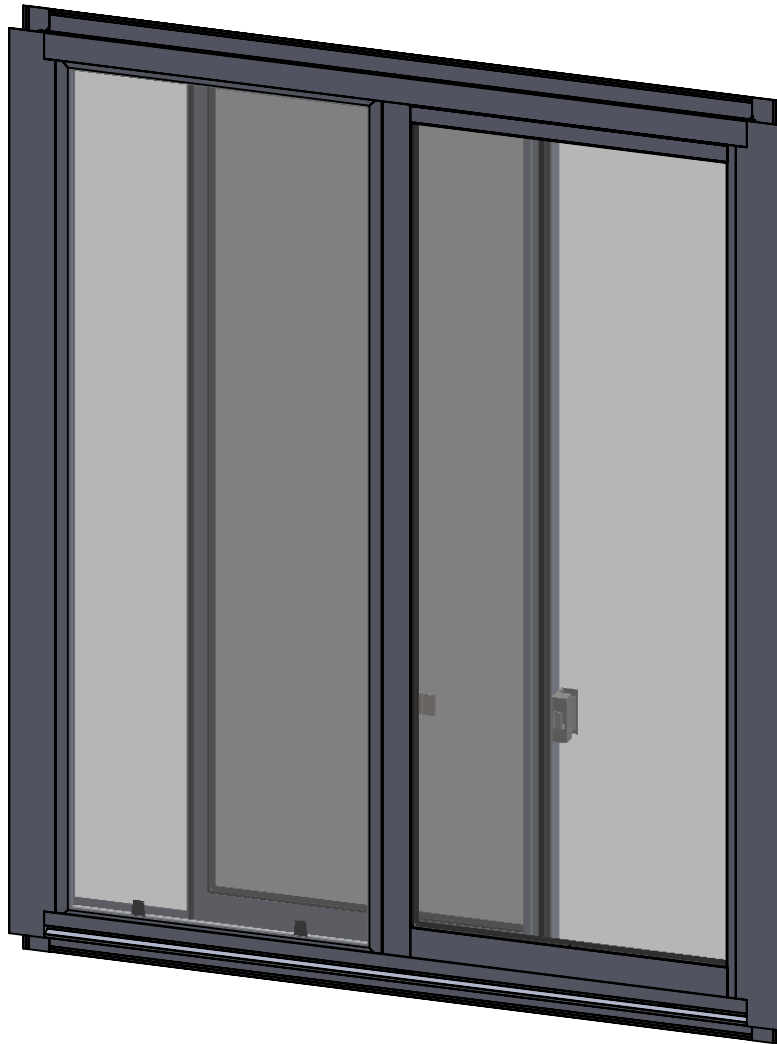


# ASSEMBLY / PARTS LIST (B.O.M.)

**Series: 530-T**  
**Type: XO Configuration**

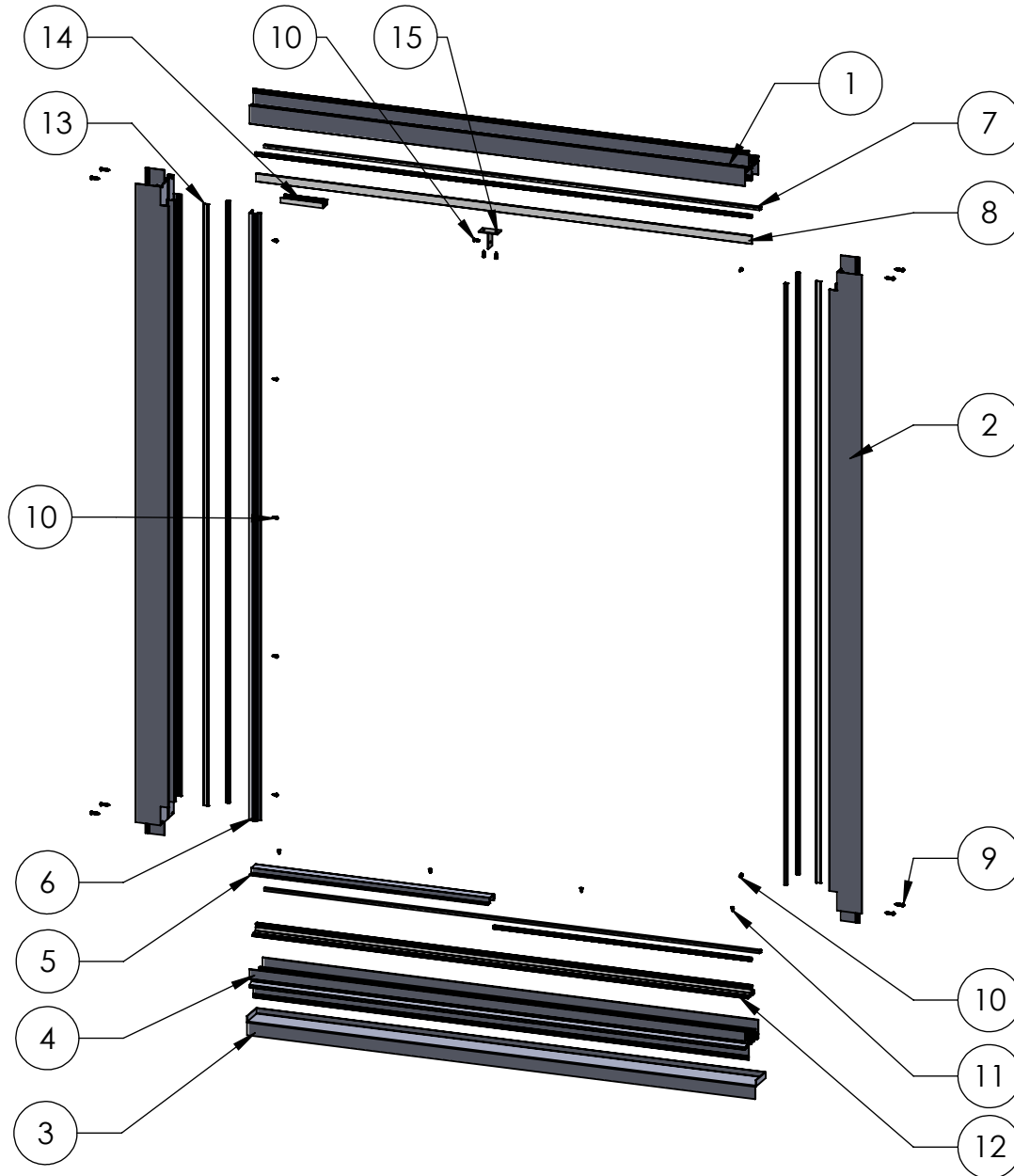


ITEM NO.	DESCRIPTION	QTY.	PAGE #
1	Frame Assembly	1	2
2	X Panel Assembly	1	3
3	O Panel ASsembly	1	4
4	Screen Assembly	1	5

Description Table of Contents	
File Name Series 530-T XO Assembly	REV -
Released 9/5/2017	SHEET 1 OF 5

**PROPRIETARY AND CONFIDENTIAL**  
 THE INFORMATION CONTAINED IN THIS DRAWING IS THE SOLE PROPERTY OF FLEETWOOD WINDOWS & DOORS.  
 ANY REPRODUCTION IN PART OR AS A WHOLE WITHOUT THE WRITTEN PERMISSION OF FLEETWOOD WINDOWS & DOORS IS PROHIBITED.

# ASSEMBLY / PARTS LIST (B.O.M.)



## EXTRUSIONS

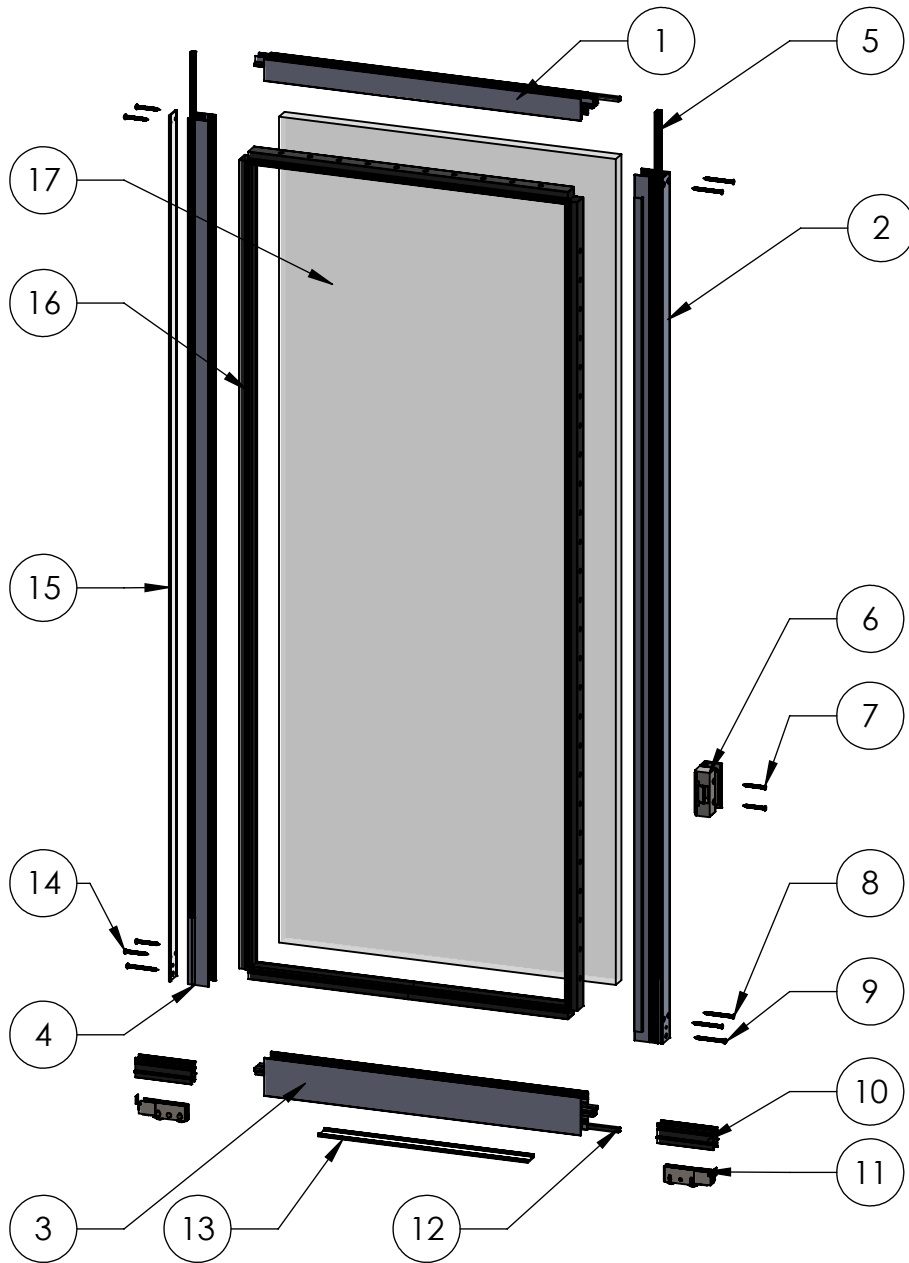
ITEM NO.	PART NUMBER	DESCRIPTION	QTY.
1	5309	Nail-on Head	1
2	5301	Nail-on Jamb	2
3	SPN530N	Nailfin Sill Pan	1
4	5343	Nail-on Sill	1
5	5311	Sill Filler/Closer	1
6	5390	Screen Adapter (Slider Jamb)	1

## HARDWARE

ITEM NO.	PART NUMBER	DESCRIPTION	QTY.
7	19118	Small Fin Seal Mohair (23027045BKGB)	7
8	19095	PVC Head Filler (BL1265)	1
9	20314	#8 PHP-A Screw, .75 in, SS, Clear	8
10	20225	#6 PHP-TEK, .375, SS, Clear	Varies
11	20901	#6 X 3/8" UC FHSM	Varies
12	19092	PVC Sill Center	1
13	22913	PVC Jamb Isolator	2
14	22918	Anti-Lift/Fix Pan Guide (BL1397)	1
15	25766, 25767	T-Clip, (Clear, Bronze)	1

Description Frame Assembly	
File Name Series 530-T XO Assembly	REV -
Released 9/5/2017	SHEET 2 OF 5

# ASSEMBLY / PARTS LIST (B.O.M.)



## EXTRUSIONS

ITEM NO.	PART NUMBER	DESCRIPTION	QTY.
1	5348	Top Rail DG	1
2	5371	Sliding Interlock DG	1
3	5349	Bottom Rail DG	1
4	5338	Lead Stile DG	1

## HARDWARE

ITEM NO.	PART NUMBER	DESCRIPTION	QTY.
5	20516	X-Large Fin Seal Weatherstrip (50027045BKGB)	1
6	24636	Archetype Sliding Window Latch SS (170-000)	1
7	20252	Flat Head Phillips Sheet Metal Screw No 8 Size, 1.5"	2
8	20258	#8 FHP - A, 2.0 in, SS, Clear	4
9	20326, 20327	#8 PHP - A, 2.0", SS, (Clear, Black)	2
10	19107	Roller Insert - Wheel Housing (AN 9853)	2
11	18894	Aspen Tandem Nylon Roller	2
12	19118	Small Fin Seal Mohair (23027045BKQB)	3
13	22938	Bottom Rail Spreader (BL 798)	1
14	20324	#8 PHP - A, 1.5", SS, Black	4
15	19113	PVC Spreader Bar, Leadstile (BL 1395)	1
16	19056	1" Glazing Vinyl (Shown)	1
17	-	Glass	1

Description  
 X Panel Assembly

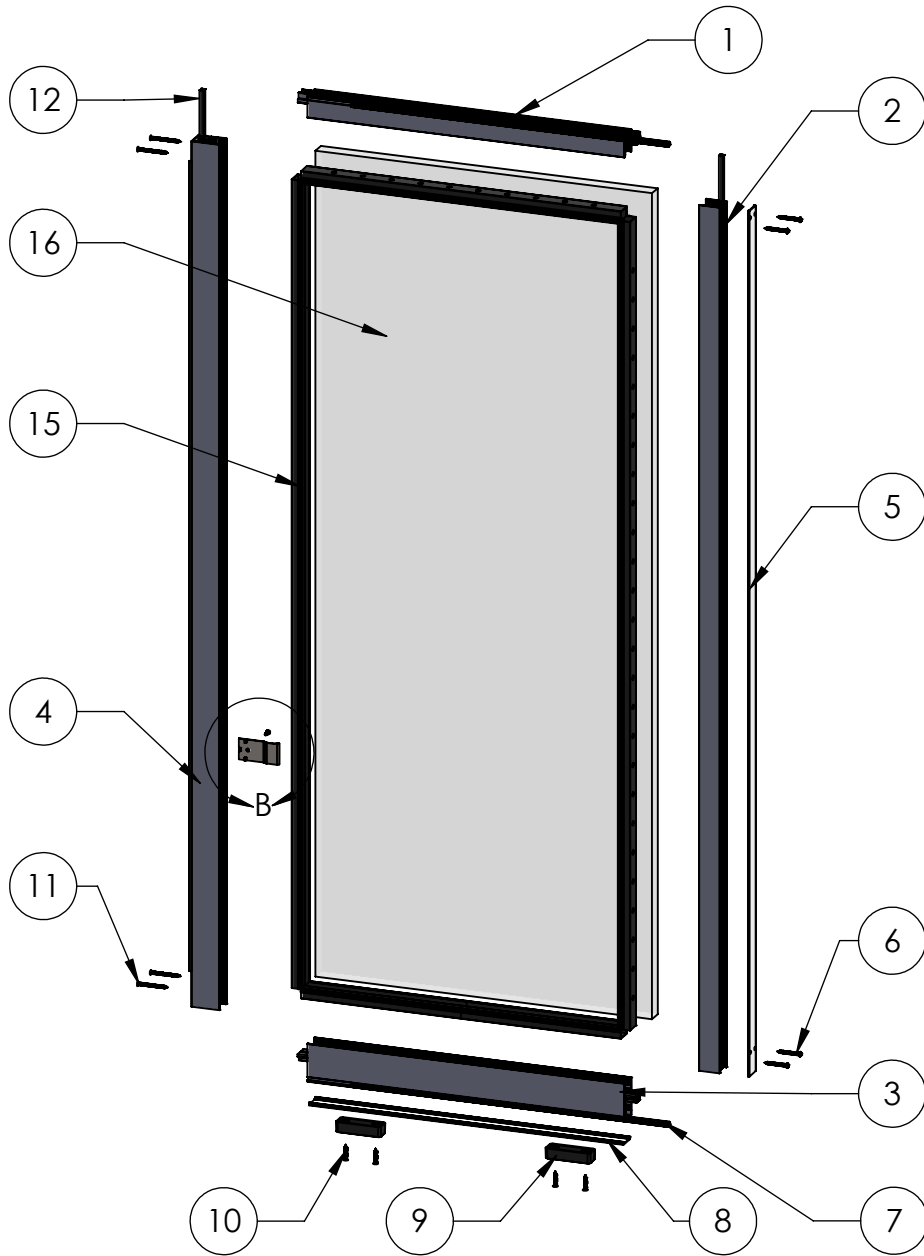
File Name  
 Series 530-T XO Assembly

REV  
 -

Released 9/5/2017

SHEET 3 OF 5

# ASSEMBLY / PARTS LIST (B.O.M.)

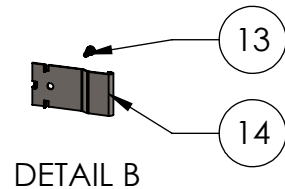


## EXTRUSIONS

ITEM NO.	PART NUMBER	DESCRIPTION	QTY.
1	5348	Top Rail DG	1
2	5338	Lead Stile DG	1
3	5349	Bottom Rail DG	1
4	5370	Fixed Interlock DG	1

## HARDWARE

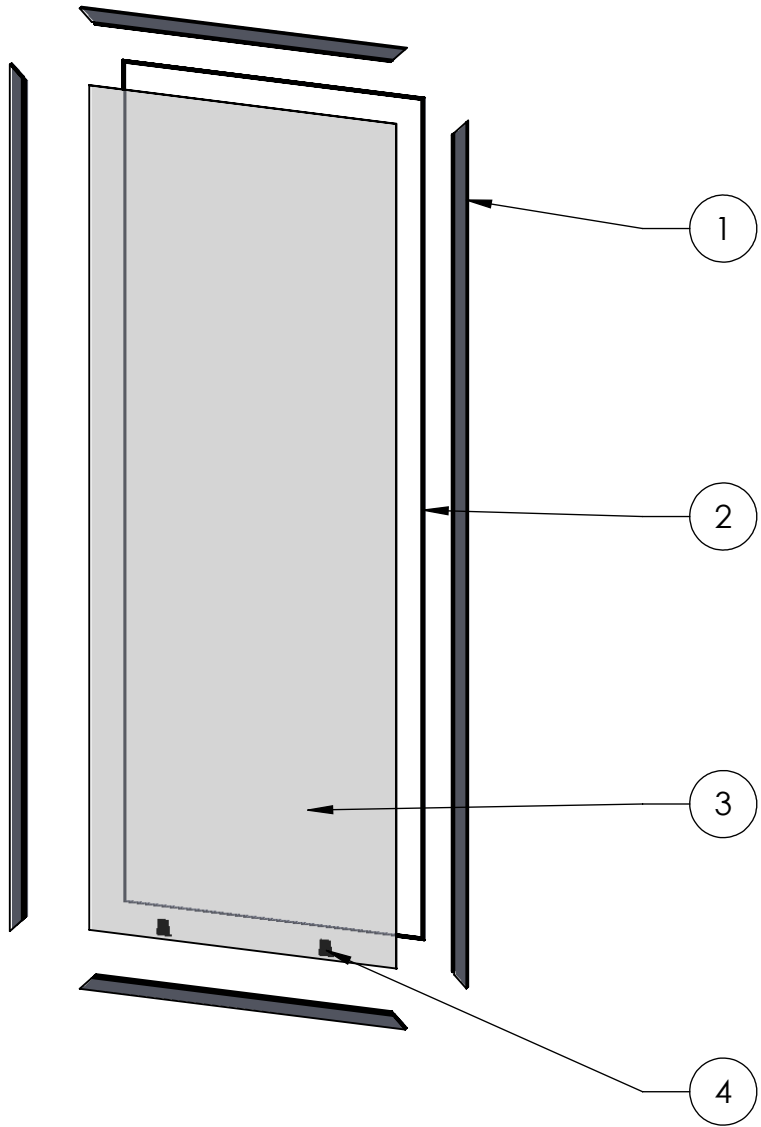
ITEM NO.	PART NUMBER	DESCRIPTION	QTY.
5	19113	PVC Spreader Bar, Leadstile (KB1395)	1
6	20324	#8 PHP - A, 1.5", SS, Black	4
7	19118	Small Fin Seal Mohair (23027045BKQB)	3
8	22938	Bottom Rail Spreader (BL 798)	1
9	25386	Fix Panel Block	2
10	20248	#8 FHP - A, 1", SS, Black	4
11	20258	#8 FHP - A, 2.0 in, SS, Clear	4
12	19117	Large Fin Seal Mohair (23027045BKGB)	1
13	20225	#6 PHP-TEK, .375, SS, Clear	1
14	24106	Aspen Strike Plate (Keeper)	1
15	19056	1" Glazing Vinyl (Shown)	1
16	-	Glass	1



**PROPRIETARY AND CONFIDENTIAL**  
THE INFORMATION CONTAINED IN THIS DRAWING IS THE SOLE PROPERTY OF FLEETWOOD WINDOWS & DOORS.  
ANY REPRODUCTION IN PART OR AS A WHOLE WITHOUT THE WRITTEN PERMISSION OF FLEETWOOD WINDOWS & DOORS IS PROHIBITED.

Description O Panel Assembly	
File Name Series 530-T XO Assembly	REV -
Released 9/5/2017	SHEET 4 OF 5

# ASSEMBLY / PARTS LIST (B.O.M.)



EXTRUSIONS			
ITEM NO.	PART NUMBER	DESCRIPTION	QTY.
1	114	5/16" Screen Frame	4
HARDWARE			
ITEM NO.	PART NUMBER	DESCRIPTION	QTY.
2	19127	Screen Spline 0.150"	1
3	-	Ultra VUE Screen Mesh	1
4	25945	Screen Tab	2

Description Screen Assembly	
File Name Series 530-T XO Assembly	REV -
Released 9/5/2017	SHEET 5 OF 5

**PROPRIETARY AND CONFIDENTIAL**  
 THE INFORMATION CONTAINED IN THIS DRAWING IS THE SOLE PROPERTY OF FLEETWOOD WINDOWS & DOORS.  
 ANY REPRODUCTION IN PART OR AS A WHOLE WITHOUT THE WRITTEN PERMISSION OF FLEETWOOD WINDOWS & DOORS IS PROHIBITED.