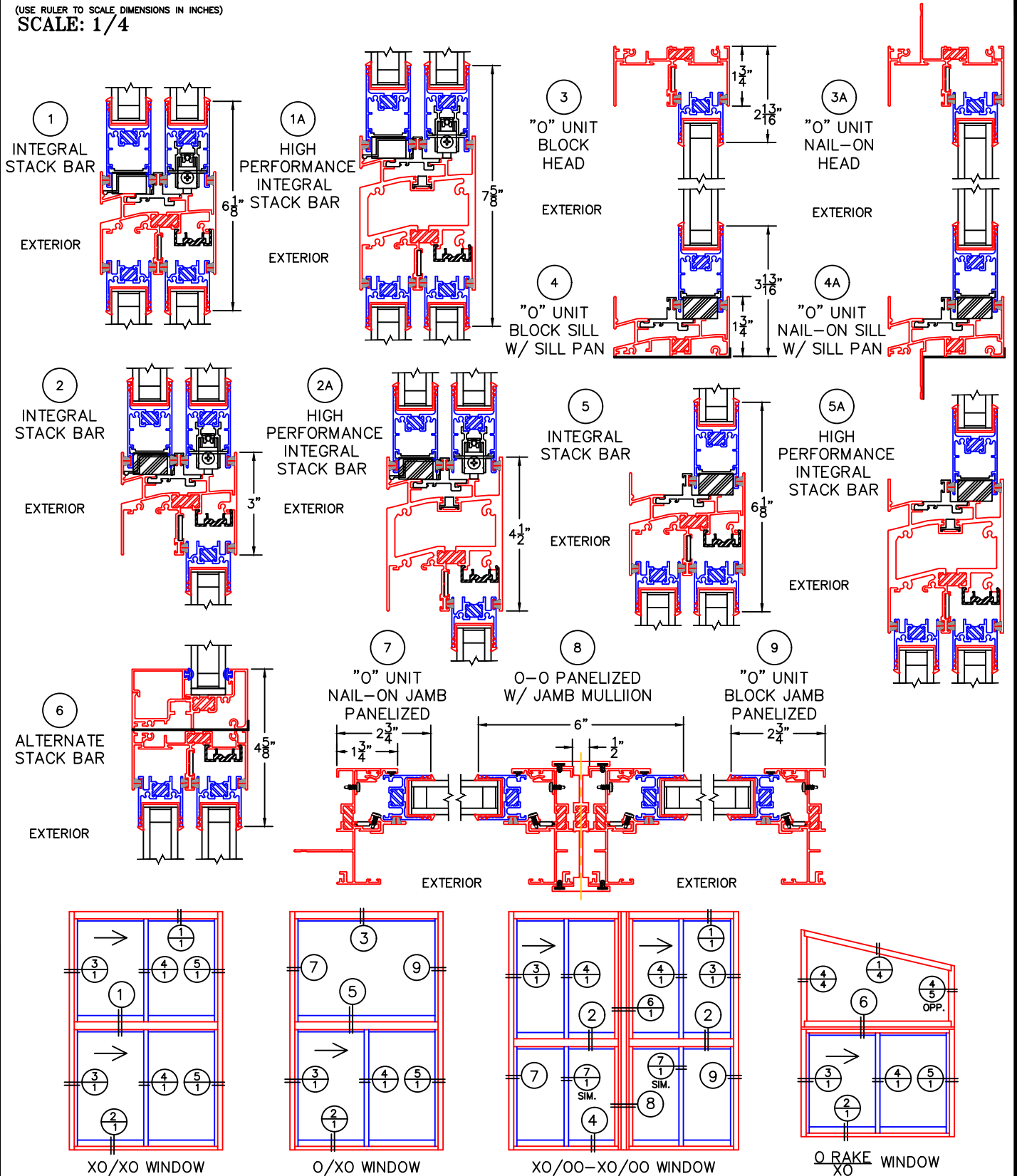


(USE RULER TO SCALE DIMENSIONS IN INCHES)
SCALE: 1/4"

SLIDING/STACKED WINDOW DETAILS
1" INSULATED GLAZING SHOWN



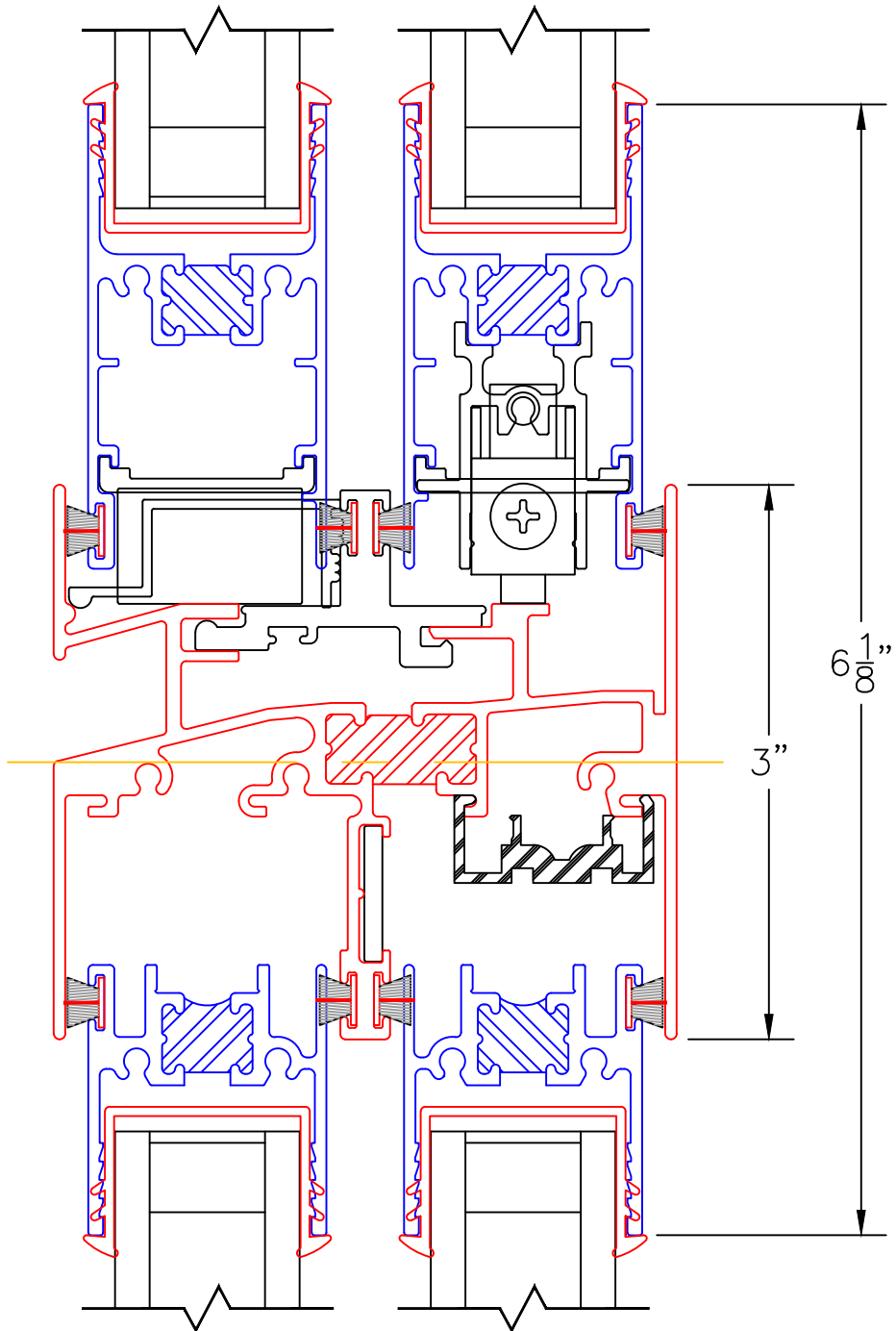
-GLASS PENETRATION FOR 1" GLASS: 9/16"
-EXTERIOR RATED PRODUCTS HAVE WEEP SLOTS ON HORIZONTAL SILLS.

0 0.5 1
(USE RULER TO SCALE DIMENSIONS IN INCHES)
SCALE: FULL

SLIDING/STACKED WINDOW DETAILS
1" INSULATED GLAZING SHOWN

1
INTEGRAL
STACK BAR

EXTERIOR

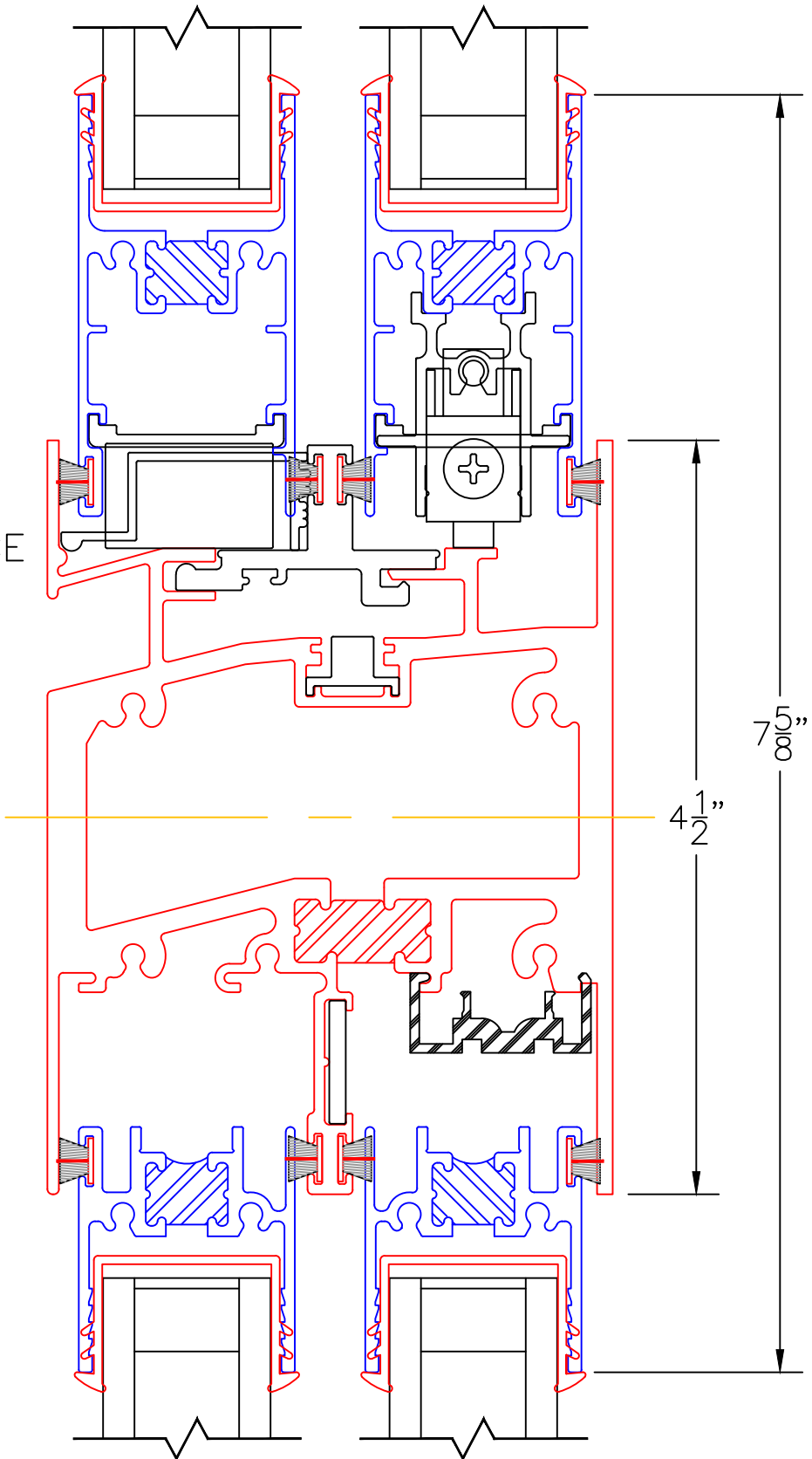


0 0.5 1
(USE RULER TO SCALE DIMENSIONS IN INCHES)
SCALE: FULL

SLIDING/STACKED WINDOW DETAILS
1" INSULATED GLAZING SHOWN

1A
HIGH PERFORMANCE
INTEGRAL
STACK BAR

EXTERIOR

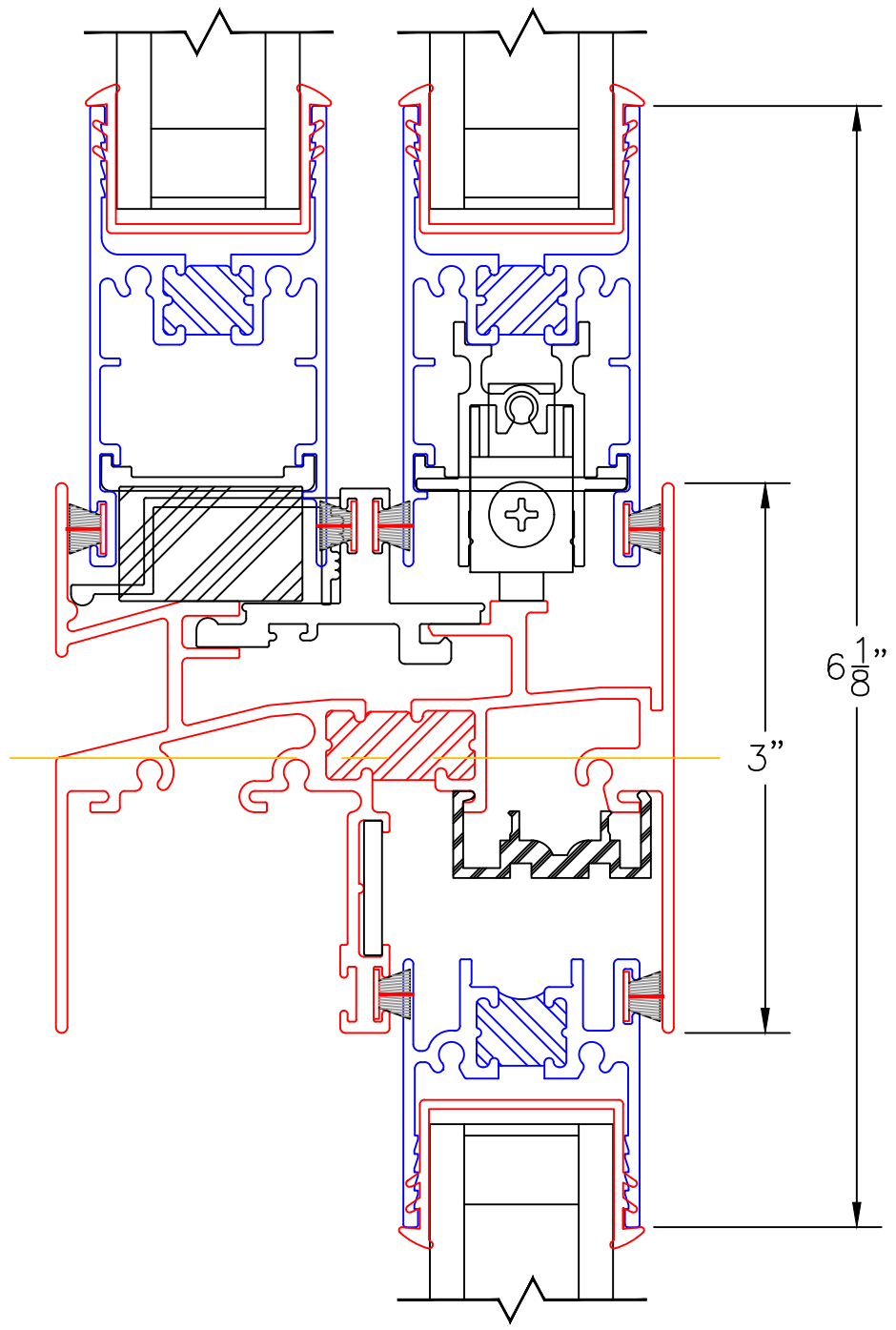


0 0.5 1
(USE RULER TO SCALE DIMENSIONS IN INCHES)
SCALE: FULL

SLIDING/STACKED WINDOW DETAILS
1" INSULATED GLAZING SHOWN

2
INTEGRAL
STACK BAR

EXTERIOR

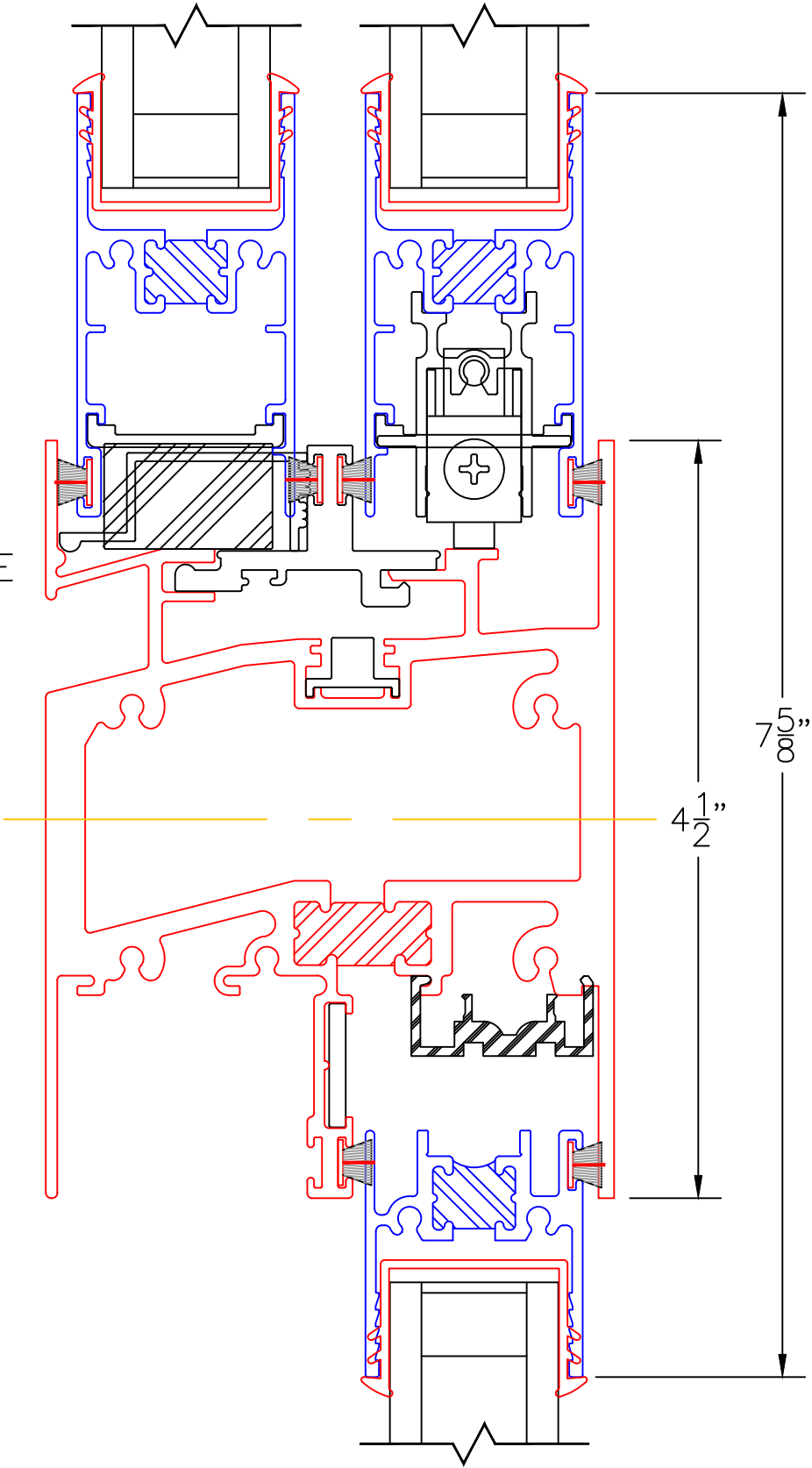


0 0.5 1
(USE RULER TO SCALE DIMENSIONS IN INCHES)
SCALE: FULL

SLIDING/STACKED WINDOW DETAILS
1" INSULATED GLAZING SHOWN

2A
HIGH PERFORMANCE
INTEGRAL
STACK BAR

EXTERIOR



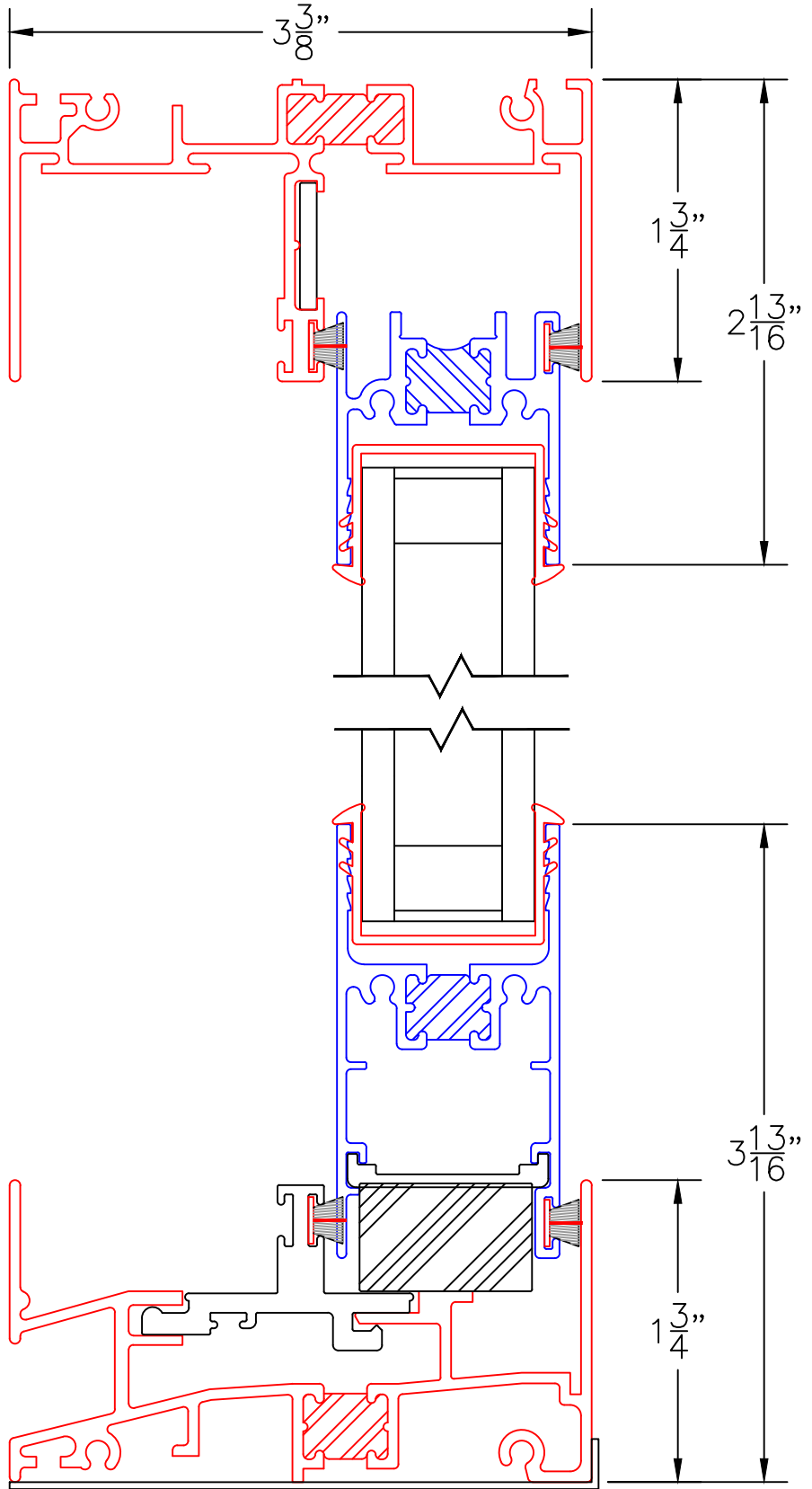
0 0.5 1
(USE RULER TO SCALE DIMENSIONS IN INCHES)
SCALE: FULL

SLIDING/STACKED WINDOW DETAILS
1" INSULATED GLAZING SHOWN

3
"O" UNIT
BLOCK HEAD

EXTERIOR

4
"O" UNIT
BLOCK SILL
W/ SILL PAN



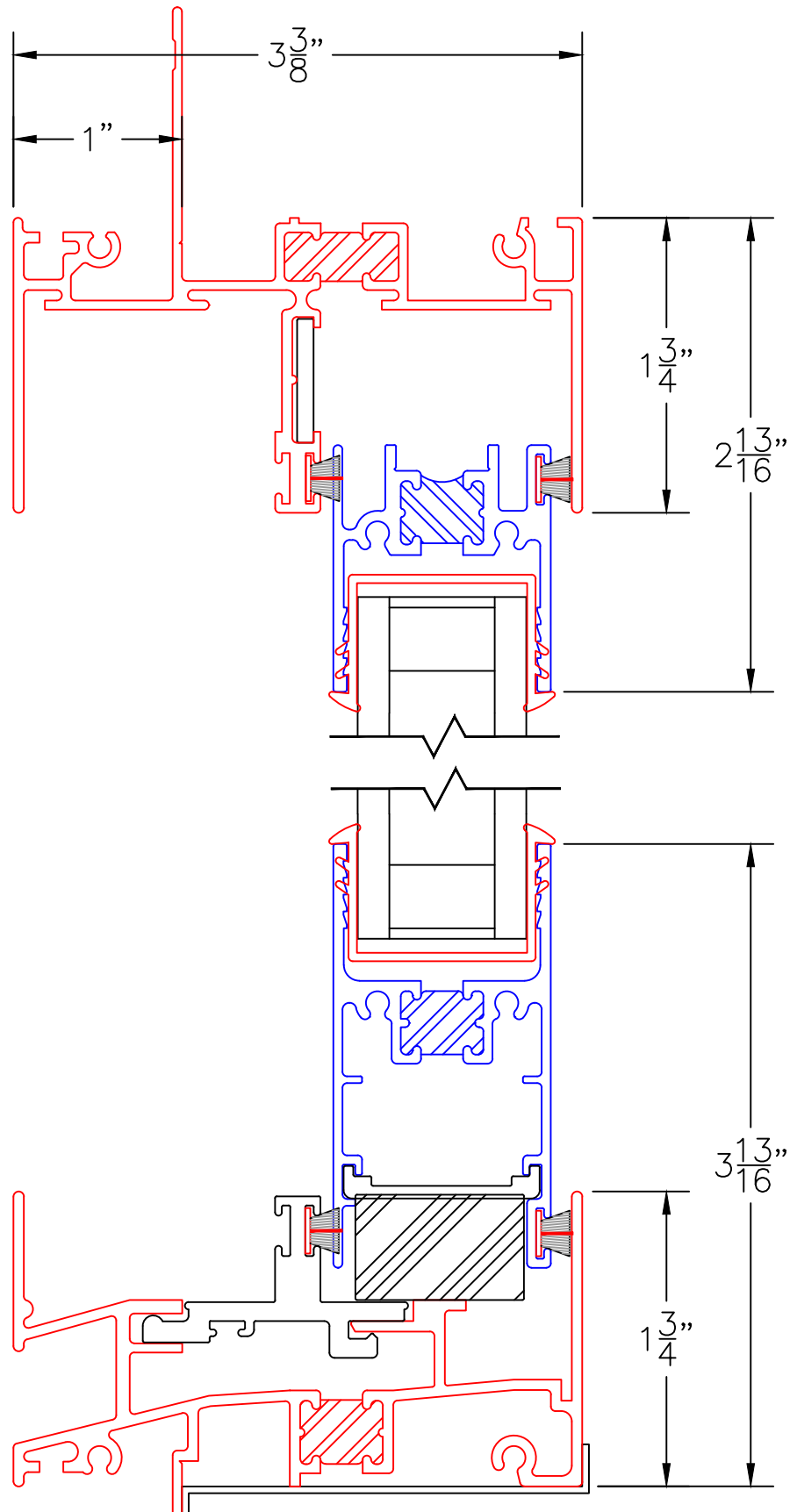
0 0.5 1
(USE RULER TO SCALE DIMENSIONS IN INCHES)
SCALE: FULL

SLIDING/STACKED WINDOW DETAILS
1" INSULATED GLAZING SHOWN

3A
"O" UNIT
NAIL-ON HEAD

EXTERIOR

4A
"O" UNIT
NAIL-ON SILL
W/ SILL PAN

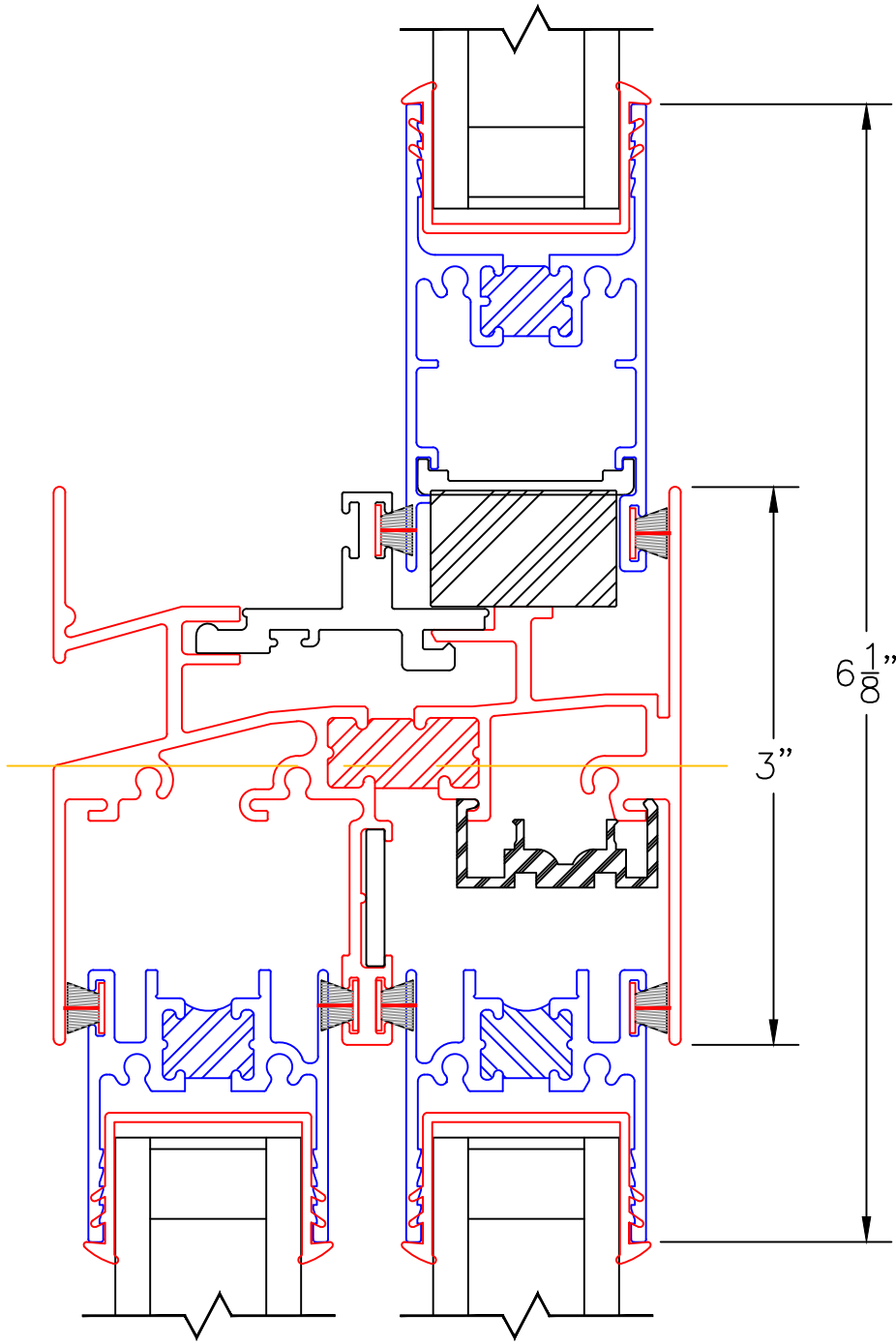


0 0.5 1
(USE RULER TO SCALE DIMENSIONS IN INCHES)
SCALE: FULL

SLIDING/STACKED WINDOW DETAILS
1" INSULATED GLAZING SHOWN

5
INTEGRAL
STACK BAR

EXTERIOR



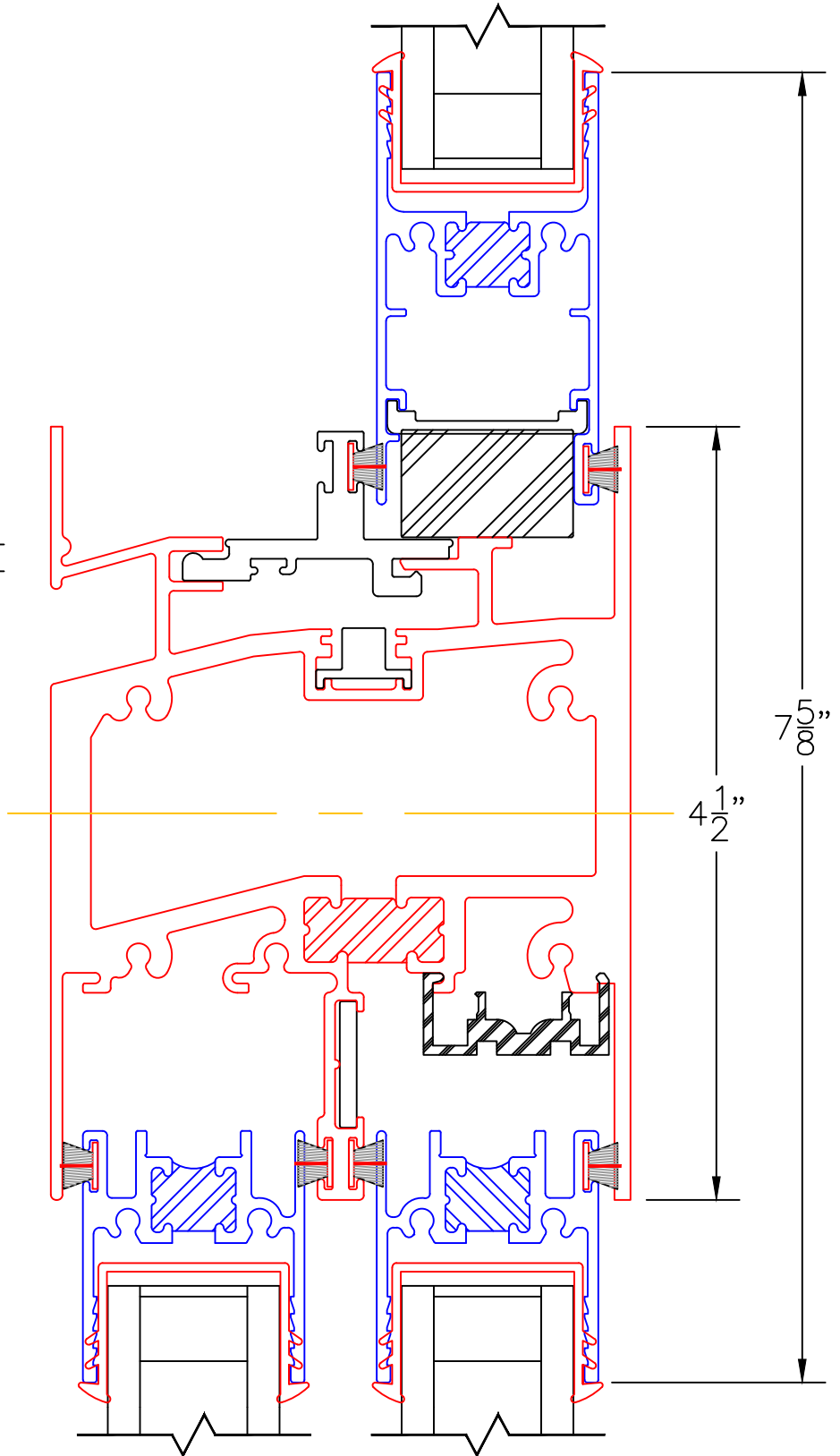
0 0.5 1
(USE RULER TO SCALE DIMENSIONS IN INCHES)
SCALE: FULL

SLIDING/STACKED WINDOW DETAILS
1" INSULATED GLAZING SHOWN

5A

HIGH PERFORMANCE
INTEGRAL
STACK BAR

EXTERIOR

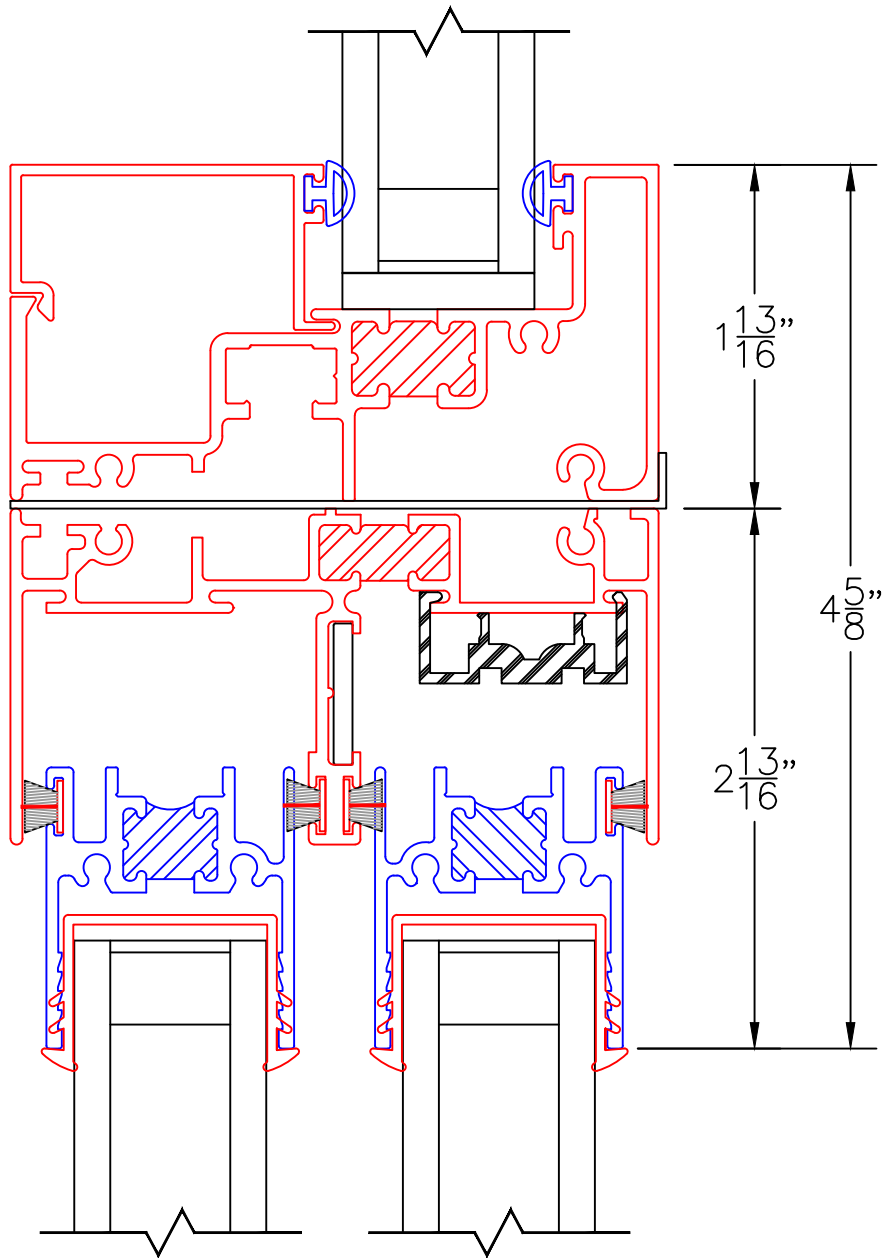


0 0.5 1
(USE RULER TO SCALE DIMENSIONS IN INCHES)
SCALE: FULL

SLIDING/STACKED WINDOW DETAILS
1" INSULATED GLAZING SHOWN

6
ALTERNATE
STACK BAR

EXTERIOR



SLIDING/STACKED WINDOW DETAILS
1" INSULATED GLAZING SHOWN

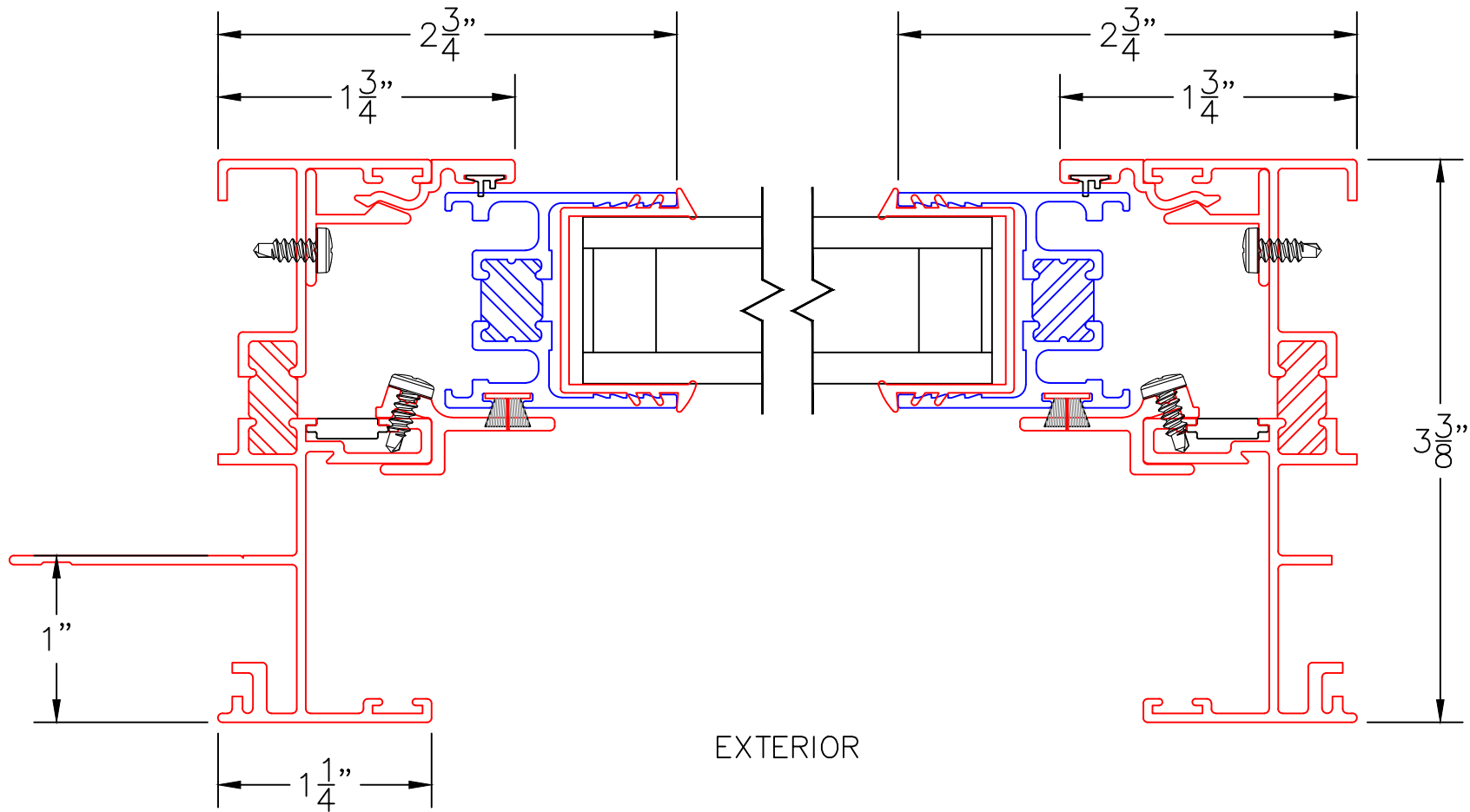
0 0.5 1
(USE RULER TO SCALE DIMENSIONS IN INCHES)
SCALE: FULL

7

"0" UNIT
NAIL-ON JAMB
PANELIZED

9

"0" UNIT
BLOCK JAMB
PANELIZED



0 0.5 1
(USE RULER TO SCALE DIMENSIONS IN INCHES)
SCALE: FULL

SLIDING/STACKED WINDOW DETAILS 1" INSULATED GLAZING SHOWN

8

0-0 PANELIZED
W/ JAMB MULLION

