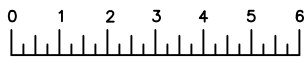


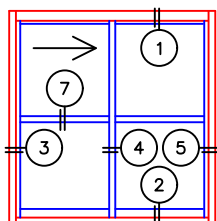
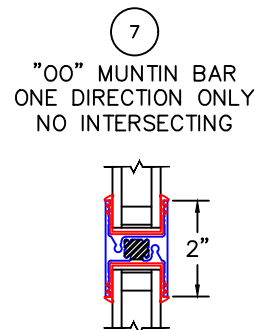
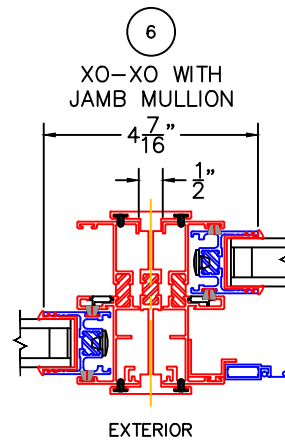
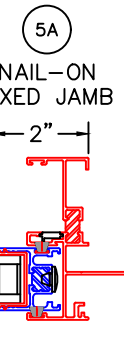
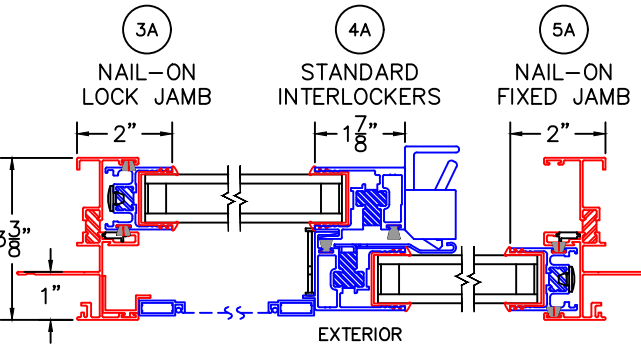
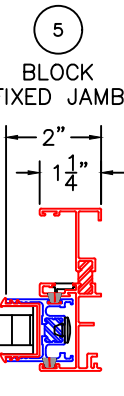
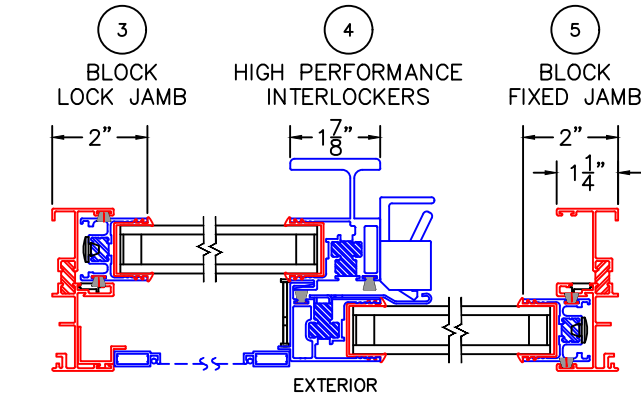
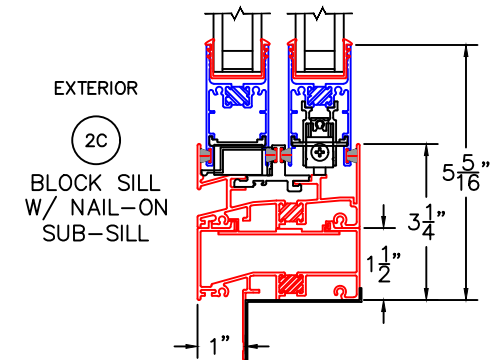
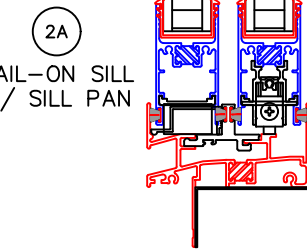
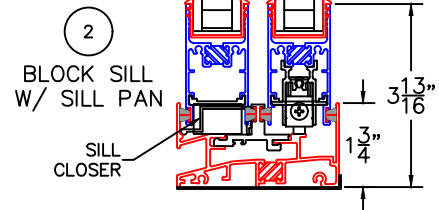
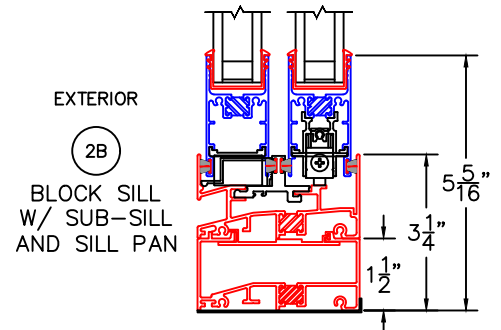
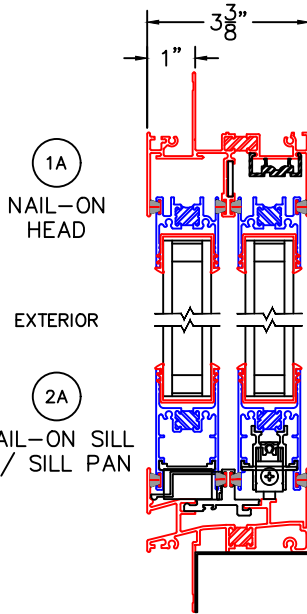
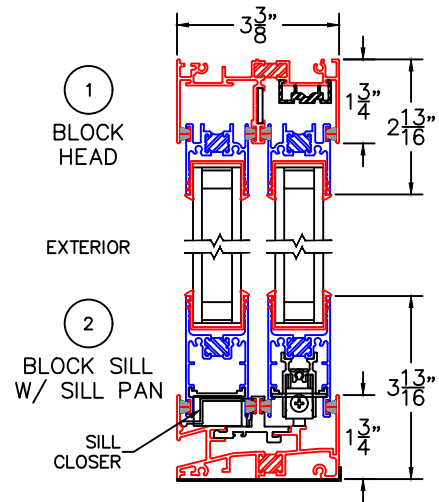
[Product Specifications](#)  
[Click Here](#)



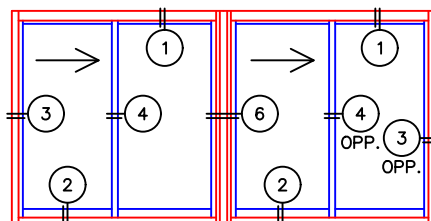
(USE RULER TO SCALE DIMENSIONS IN INCHES)

SCALE: 1/4

## HORIZONTAL SLIDING UNITS 1" INSULATED GLAZING

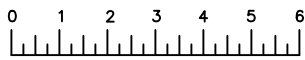


XO WINDOW SHOWN



XO-XO WINDOW SHOWN

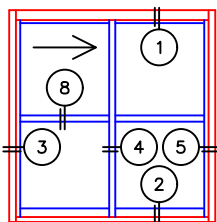
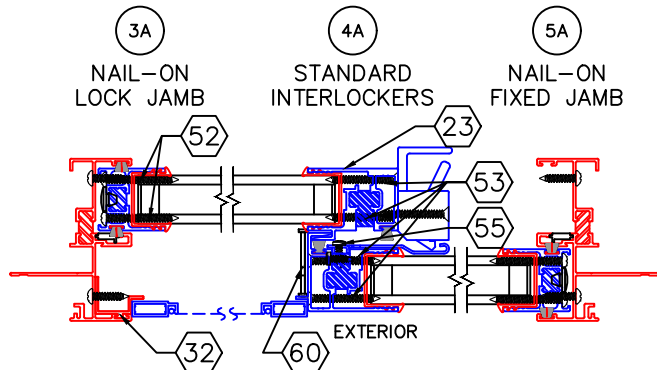
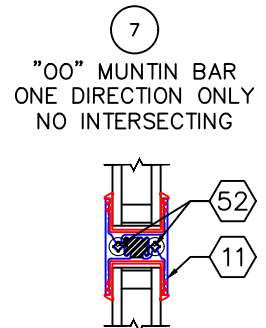
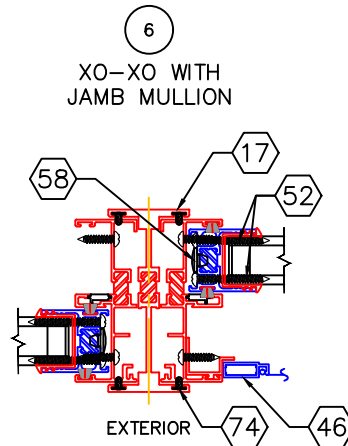
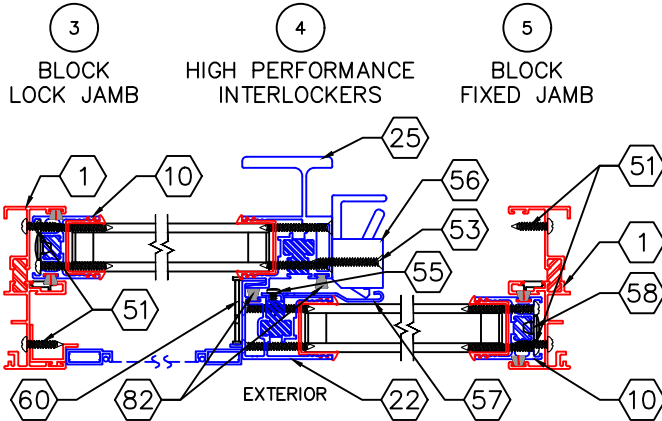
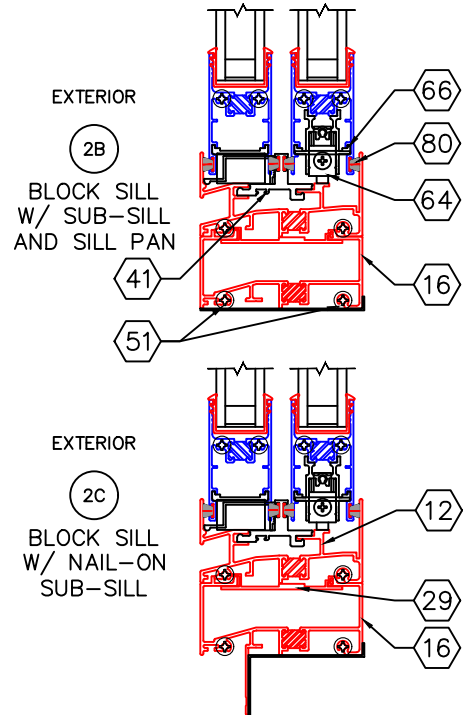
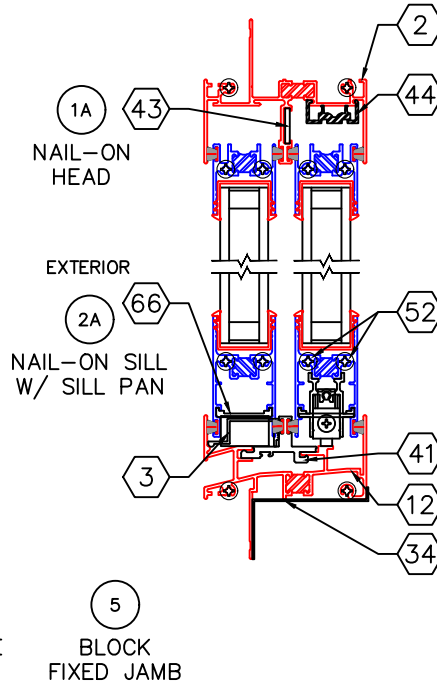
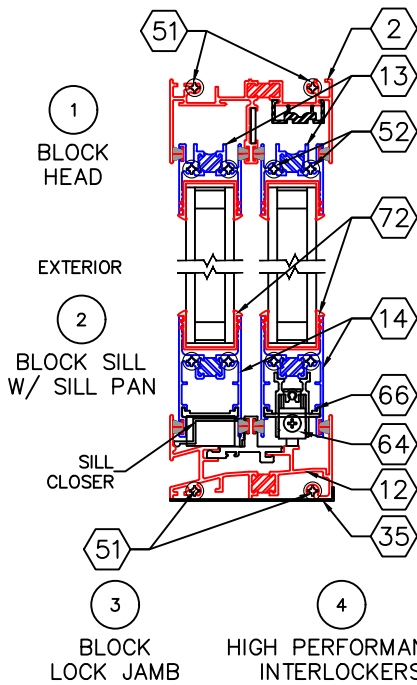
-GLASS PENETRATION FOR 1" GLASS: 9/16"  
-EXTERIOR RATED PRODUCTS HAVE WEEP SLOTS ON HORIZONTAL SILLS.



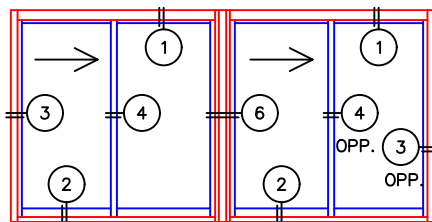
(USE RULER TO SCALE DIMENSIONS IN INCHES)  
**SCALE: 1/4**

## HORIZONTAL SLIDING UNITS 1" INSULATED GLAZING

[Architecturals Click Here](#)   [Parts List Click Here](#)



XO WINDOW SHOWN



XO-XO WINDOW SHOWN

HORIZONTAL SLIDING UNITS  
1" INSULATED GLAZING

[Architecturals Click Here](#)   [Product Specs Click Here](#)

BILL OF MATERIALS			
ITEM #	PART#	DESCRIPTION	IMAGES DO NOT SCALE
ALUMINUM EXTRUSIONS			
1	530-T1	JAMB NAIL ON	
2	530-T9	HEAD NAIL ON	
3	5311	SCREEN SILL FILLER	
4	5317	1/4" GLASS STOP	
5	5328	TEE MULL HOR/VERT. O.G.	
6	5330	SILL PERIMETER FR/SNAP N.O.	
7	5333	SILL SINGLE HUNG NAIL ON	
8	5336	CENTER STOP "O" JAMB	
9	5337	WEDGE BASE "O"	
10	5338	STILE LEAD/FIX	
11	5341	MUNTIN	
12	5343	SILL NAIL ON	
13	5348	TOP/BOTTOM RAIL	
14	5349	BT. RAIL ADJ/S.H.	
15	5350	SILL PERIMETER FR. SNAP BLOCK	
16	5353	H.W. SUB SILL NAIL ON	
17	5358	THERMAL I MULLION	
18			
19			
20	5367	STACK BAR INTERGAL	
21	5369	STACK BAR H/L	
22	5370	INTERLOCKER-FIXED	
23	5371	INTERLOCKER-SLIDE	
24	5373	INTERLOCKER H/L FIXED	
25	5374	INTERLOCKER H/L SIDING	
26	5379	LEFT H/L MEET STILE	
27	5382	AS STACK BAR(ANTI-LIFT) CLIP	
28	5383	BASE CLIP/STKBAR SLIDE	
29	5384	SUB SILL CLIP	
30	5388	CORNER MULLION 90'	
31	5389	CORNER MULLION 45'	
32	5390	JAMB/SCREEN ADAPTOR	
33	5391	ADAPTOR S.H. SCN/JMB	
34		SILL PAN, NAIL ON	
35		SILL PAN, BLOCK FRAME	
36			
37			
38			
39	05P05	GLASS STOP, 1/4"	
40	5369	AS INTEGRAL STACK BAR (HIGH PERFORMANCE)	
41	19092	PVC SILL CENTER (BL1665)	
42	BL1394	PVC JAMB ISOLATOR	
43	19095	PVC HEAD FILLER (BL1265)	

44	22918	ANTI-LIFT/FIX PAN GUIDE (BL1397)	
45	25766 (25767)	T-CLIP - CLEAR (BRONZE)	
46	114	SCREEN	
47	2073	INTERIOR WEDGE	
HARDWARE			
50	VARY	BALANCE	
51	VARY BY COLOR	SCREW NO 8, PPH, 3/4"	
52	VARY BY COLOR	SCREW NO 8, PPH, 1 1/2"	
53	VARY BY COLOR	SCREW NO 8, PFH, 1 1/2"	
54	VARY BY COLOR	SCREW NO 8, PPH, 1/2"	
55	VARY BY COLOR	SCREW NO 6, PPH, 1/2", SELF-DRILL	
56	24637 (STD)	SLIDING WINDOW LATCH (SS)	
	24636 (OPTIONAL)	SLIDING WINDOW LATCH (BLACK)	
57	23232	GLENWOOD NEW KEEPER	
58	18632	ROUND PLUG	
59	20225	No. 6 PHP-TEK, 3/8", SS, Clear	
60	18916(7)	AIR BARRIER-BLACK(WHITE)	
61	18900	SCREEN GLIDES	
62	18913	SCREEN TABS	
63	19012	SCREEN SPRING CLIP	
64	18894	SS HOUSING, NYLON ROLLER (STD)	
65			
66	19113	LEAD STILE THERMAL INSERT (BL1395)	
67	22938	RAIL SPREADER (BL798)	
68	23054	S.H. SILL W/S RETAINER (R8193)	
69	22933	PVC LOCK STILE SPREADER (BL715)	
70			
SEAL & SEALANT			
71	24105	1/4" GLAZING VINYL (FW1124)	
72	19056	1" GLAZING VINYL (BL325)	
73	19052	2 FINGER VINYL (BL976)	
74	19120	Q-LON WEATHERSTRIP (U5212)	
75	19058	BUG WIPE SCREEN (BL198)	
76	19129	SCREEN SPLINE .180	
77	25386	FIXED PANEL BLOCK	
78	23035	FLEX BUMPER 2" (R3899)	
79	19122	WEATHERSTRIP (26018745BKWP)	
80	19118	FIN SEAL (23027045BKQB)	
81	19119	FIN SEAL (20027045BKWF)	
82	20524	WEATHERSTRIP (37027060BKAB)	
83	19071	LARGE BULD VINYL (R5859)	
84	20587	BULB VINYL - SMALL (BL372)	
85	19059	BULB VINYL - LARGE (BL520)	
86	18620	SETTING BLOCK 4" X 1/4" X 1	

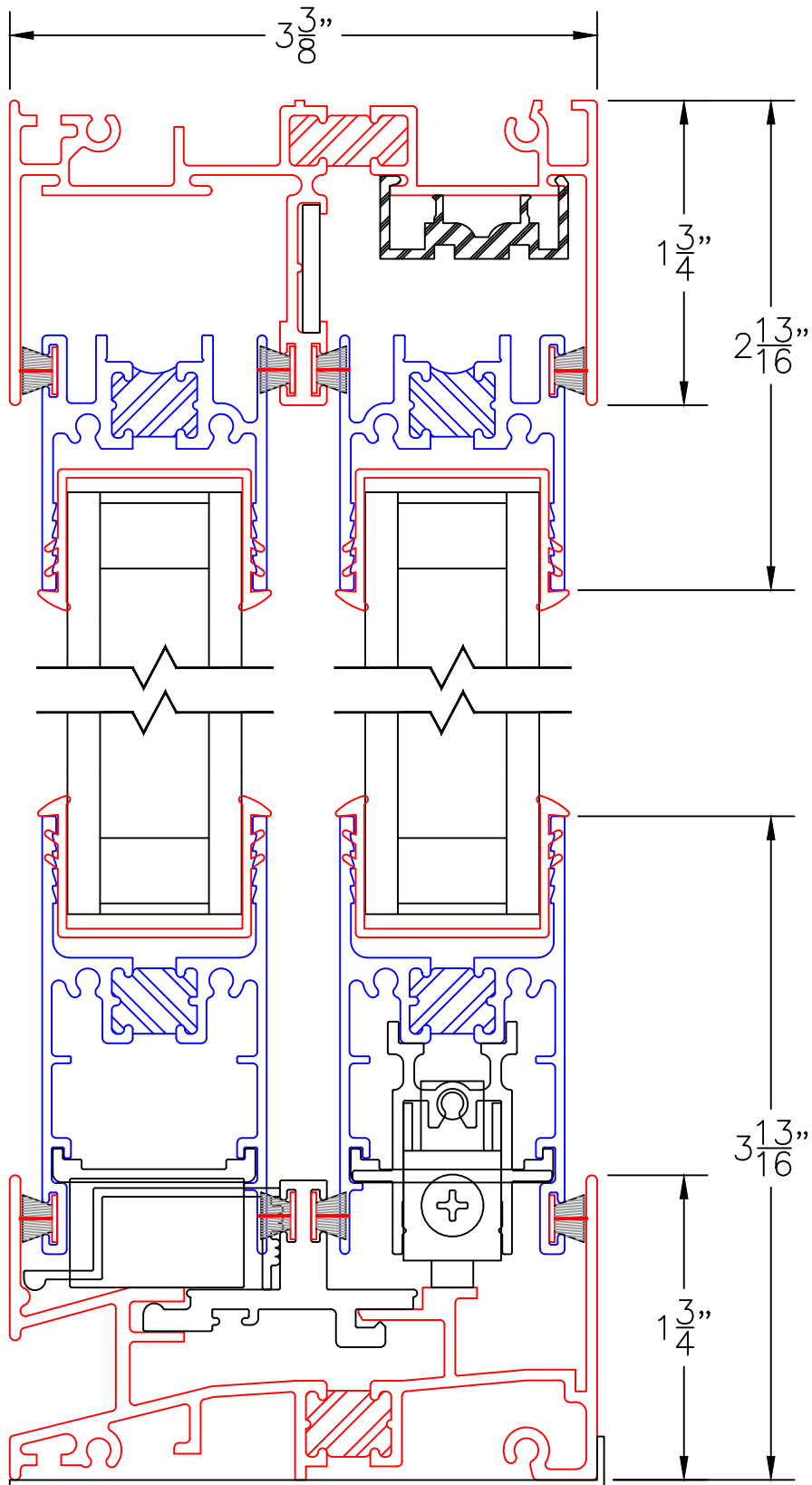
0 0.5 1  
(USE RULER TO SCALE DIMENSIONS IN INCHES)  
**SCALE: FULL**

**HORIZONTAL SLIDING UNITS**  
**1" INSULATED GLAZING**

①  
**BLOCK HEAD**

**EXTERIOR**

②  
**BLOCK SILL**  
**W/ SILL PAN**

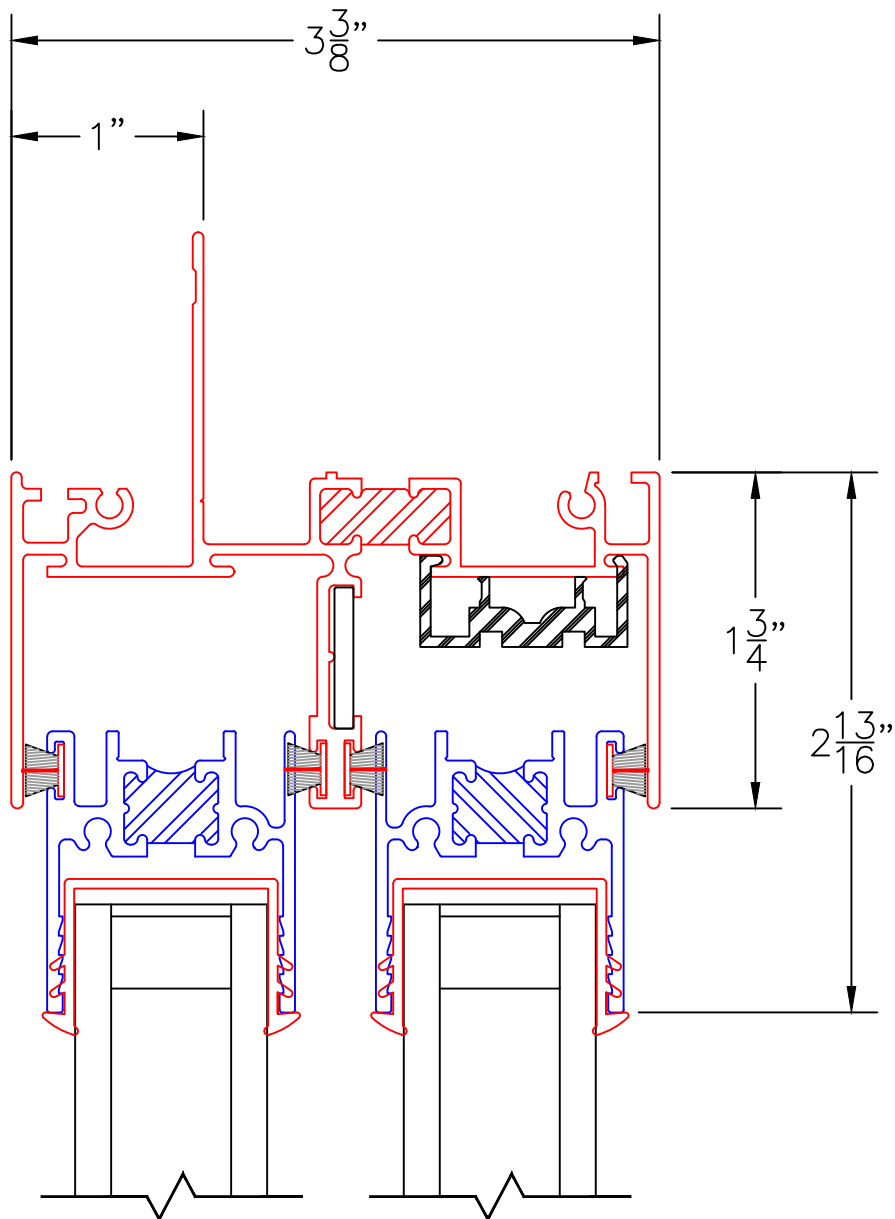


0 0.5 1  
(USE RULER TO SCALE DIMENSIONS IN INCHES)  
**SCALE: FULL**

HORIZONTAL SLIDING UNITS  
1" INSULATED GLAZING

1A  
NAIL-ON  
HEAD

EXTERIOR

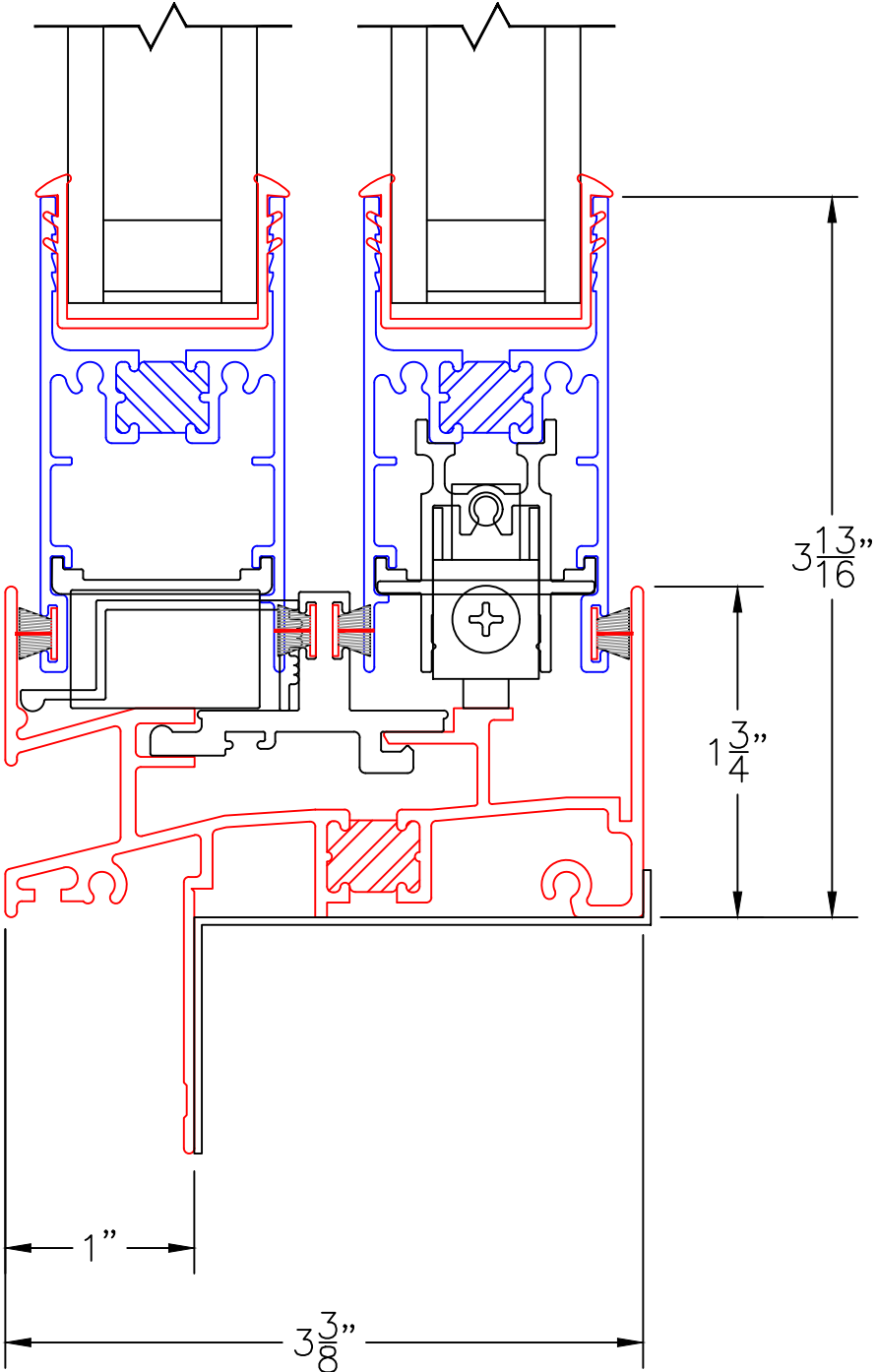


0 0.5 1  
(USE RULER TO SCALE DIMENSIONS IN INCHES)  
**SCALE: FULL**

**HORIZONTAL SLIDING UNITS**  
**1" INSULATED GLAZING**

EXTERIOR

2A  
NAIL-ON  
W/ SILL PAN



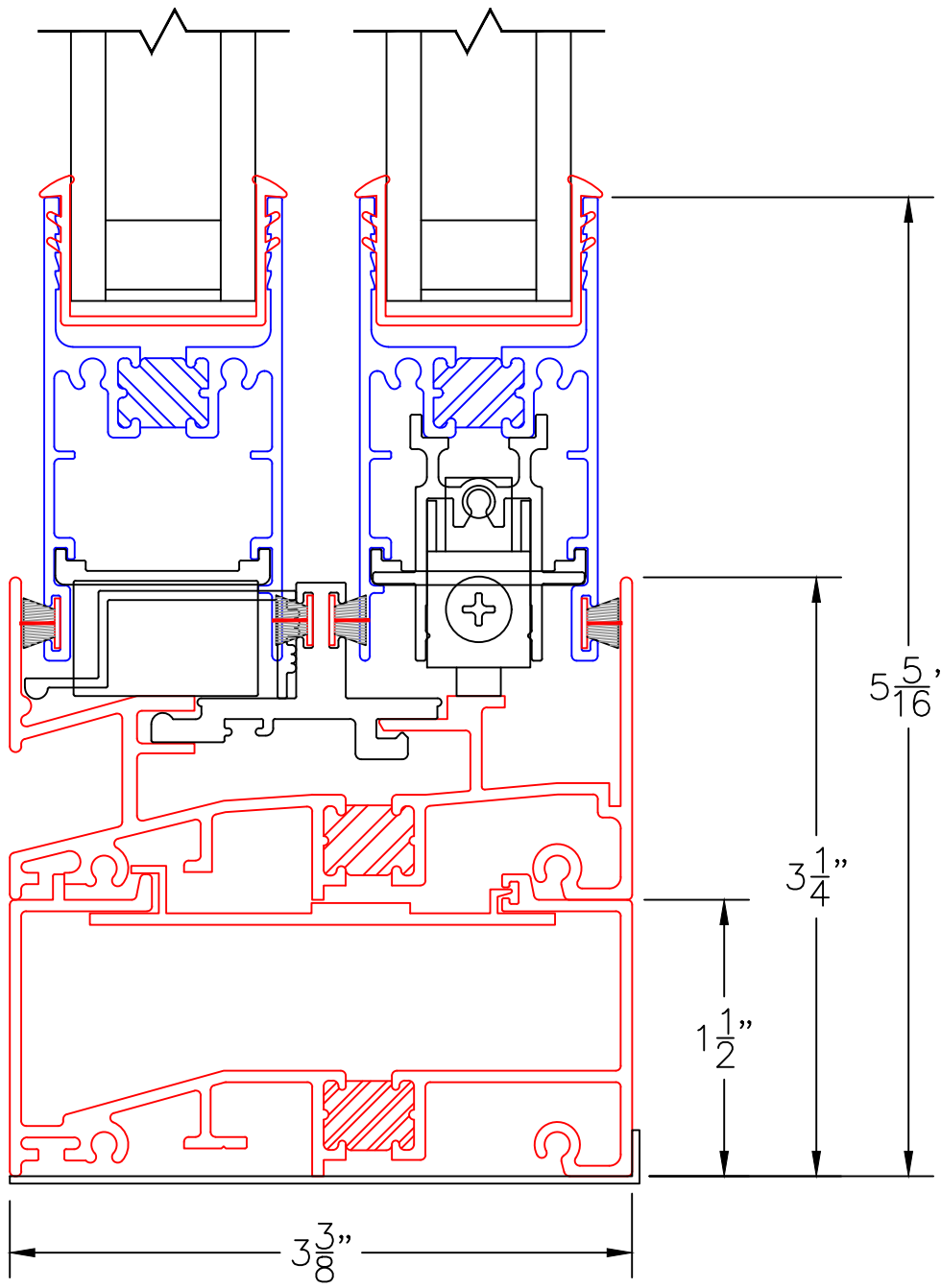
0 0.5 1  
(USE RULER TO SCALE DIMENSIONS IN INCHES)  
**SCALE: FULL**

**HORIZONTAL SLIDING UNITS  
1" INSULATED GLAZING**

EXTERIOR

2B

BLOCK SILL  
W/ SUB SILL  
AND SILL PAN

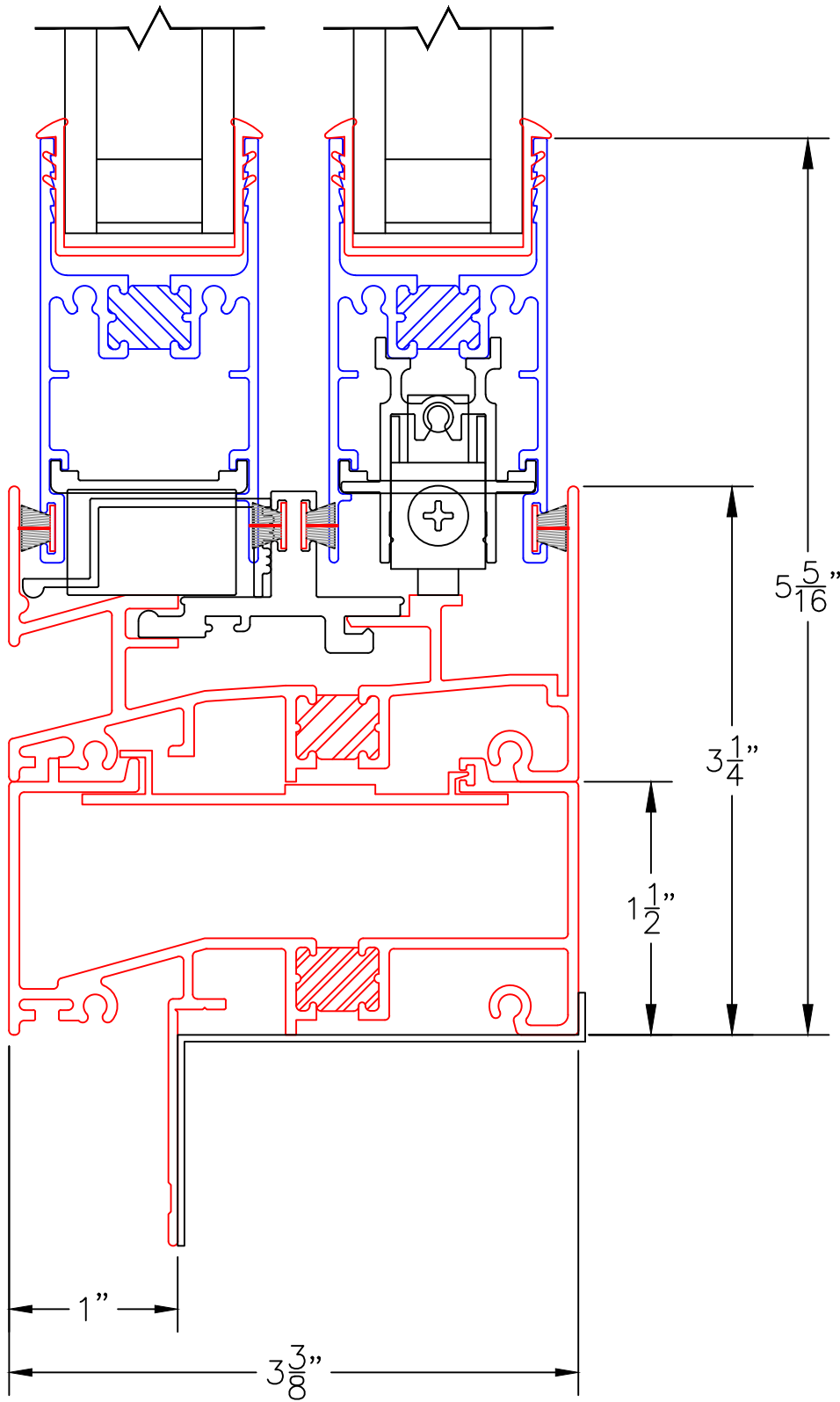


0 0.5 1  
(USE RULER TO SCALE DIMENSIONS IN INCHES)  
**SCALE: FULL**

**HORIZONTAL SLIDING UNITS**  
**1" INSULATED GLAZING**

EXTERIOR

2C  
BLOCK SILL  
W/ NAIL-ON  
SUB-SILL





0 0.5 1  
(USE RULER TO SCALE DIMENSIONS IN INCHES)  
**SCALE: FULL**

## HORIZONTAL SLIDING UNITS 1" INSULATED GLAZING

3

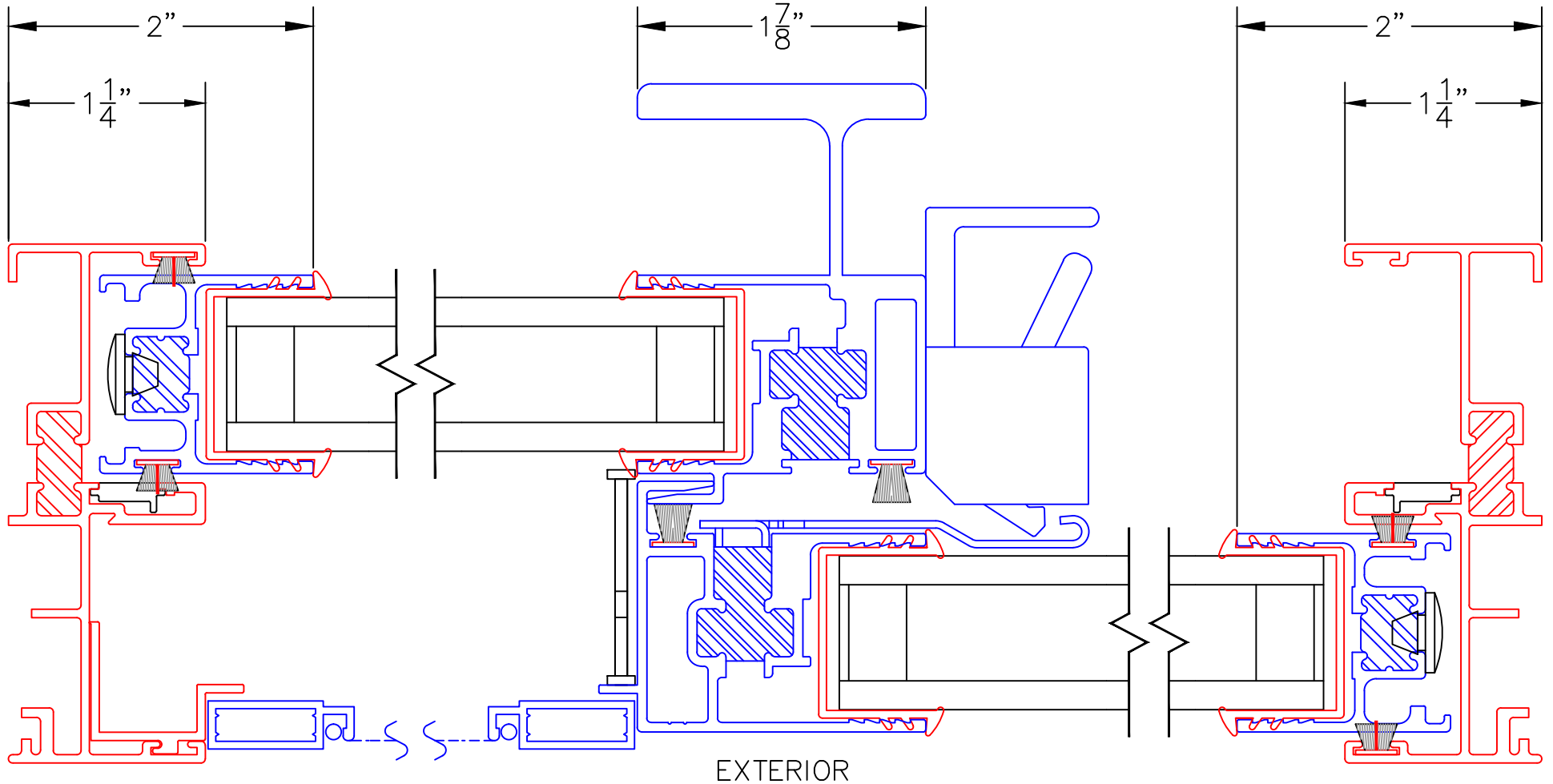
BLOCK  
LOCK JAMB

4

HIGH PERFORMANCE  
INTERLOCKERS

5

BLOCK  
FIXED JAMB



0 0.5 1  
(USE RULER TO SCALE DIMENSIONS IN INCHES)  
**SCALE: FULL**

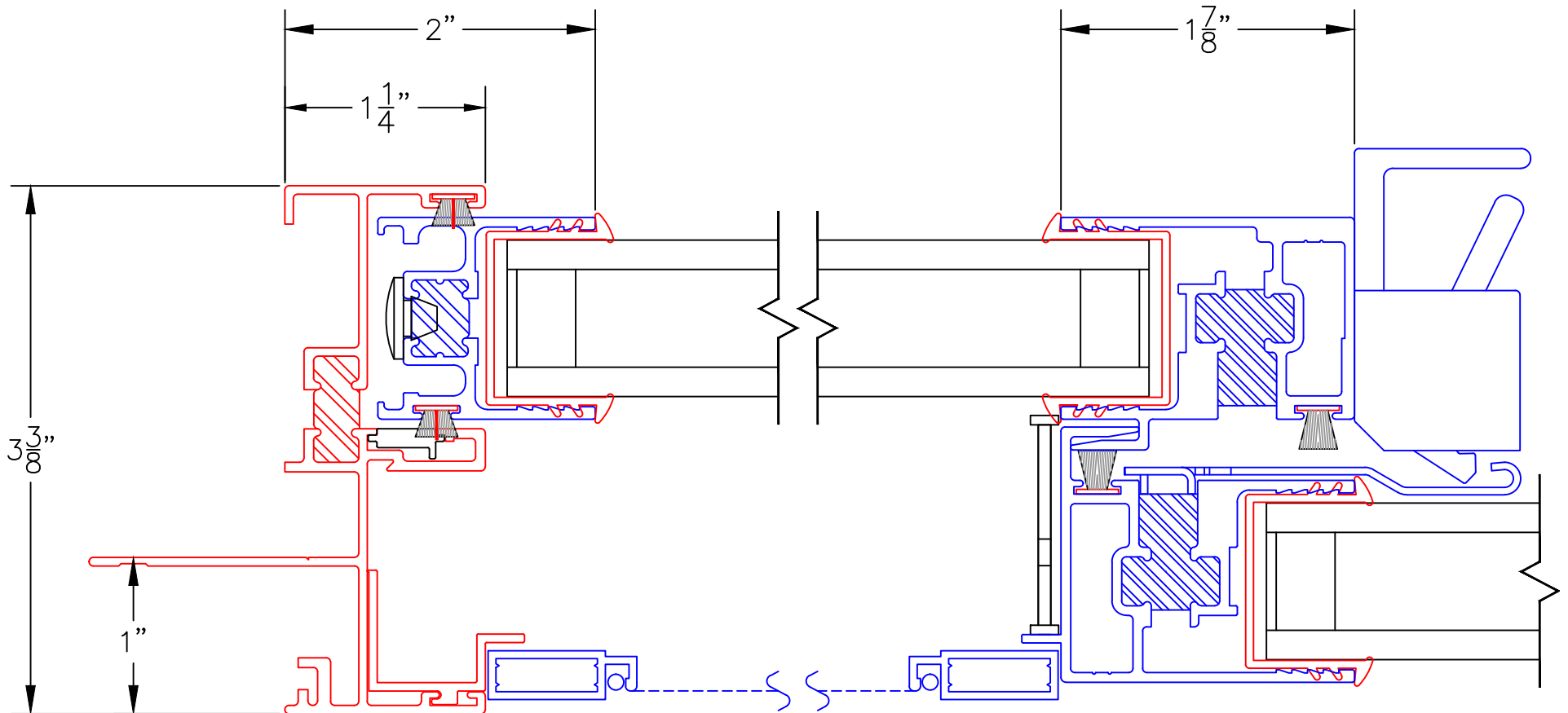
## HORIZONTAL SLIDING UNITS 1" INSULATED GLAZING

3A

NAIL-ON  
LOCK JAMB

4A

STANDARD  
INTERLOCKERS



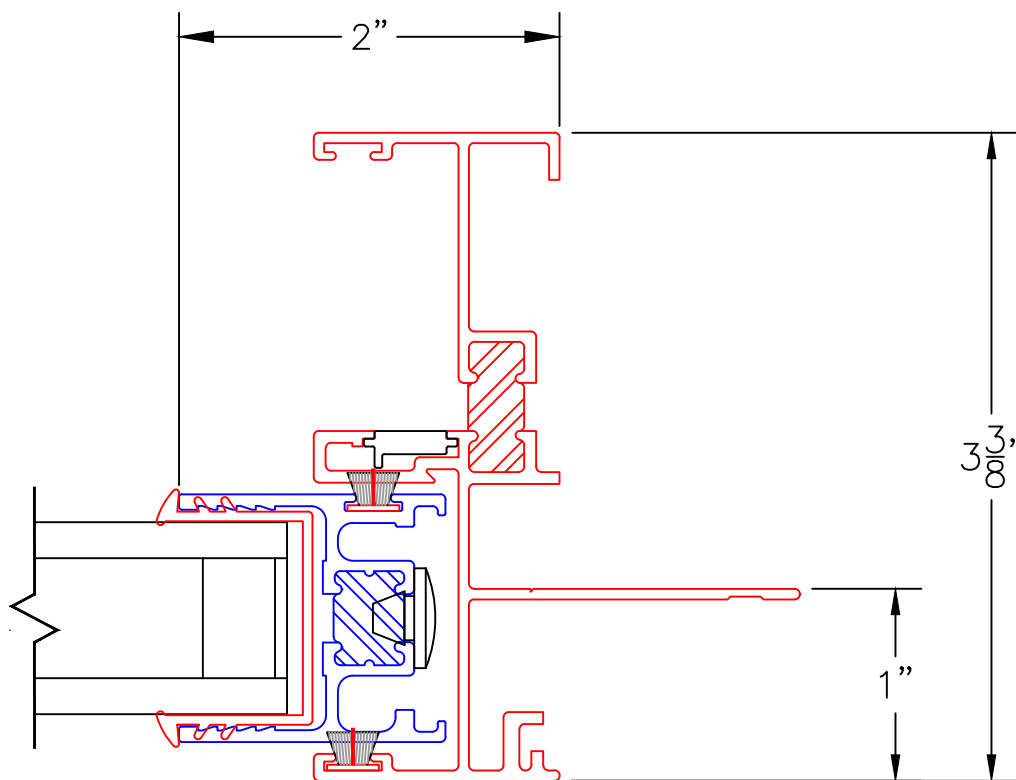
EXTERIOR

0 0.5 1  
(USE RULER TO SCALE DIMENSIONS IN INCHES)  
SCALE: FULL

HORIZONTAL SLIDING UNITS  
1" INSULATED GLAZING

5A

NAIL-ON  
FIXED JAMB



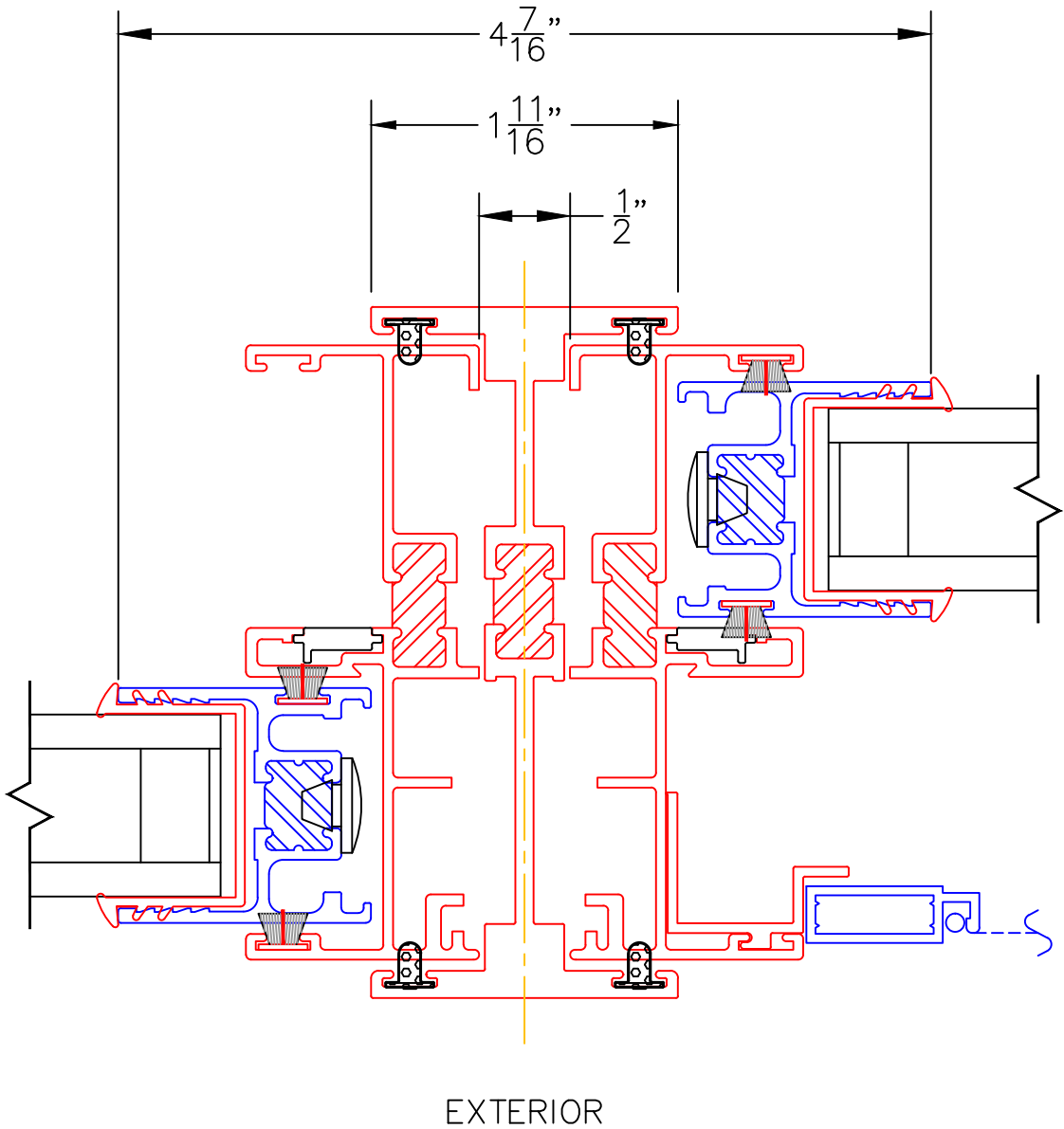
EXTERIOR

0 0.5 1  
(USE RULER TO SCALE DIMENSIONS IN INCHES)  
**SCALE: FULL**

HORIZONTAL SLIDING UNITS  
1" INSULATED GLAZING

6

XO-XO WITH  
JAMB MULLION



0 0.5 1  
(USE RULER TO SCALE DIMENSIONS IN INCHES)  
**SCALE: FULL**

HORIZONTAL SLIDING UNITS  
1" INSULATED GLAZING

7

"00" MUNTIN BAR  
ONE DIRECTION ONLY  
NO INTERSECTING

EXTERIOR

