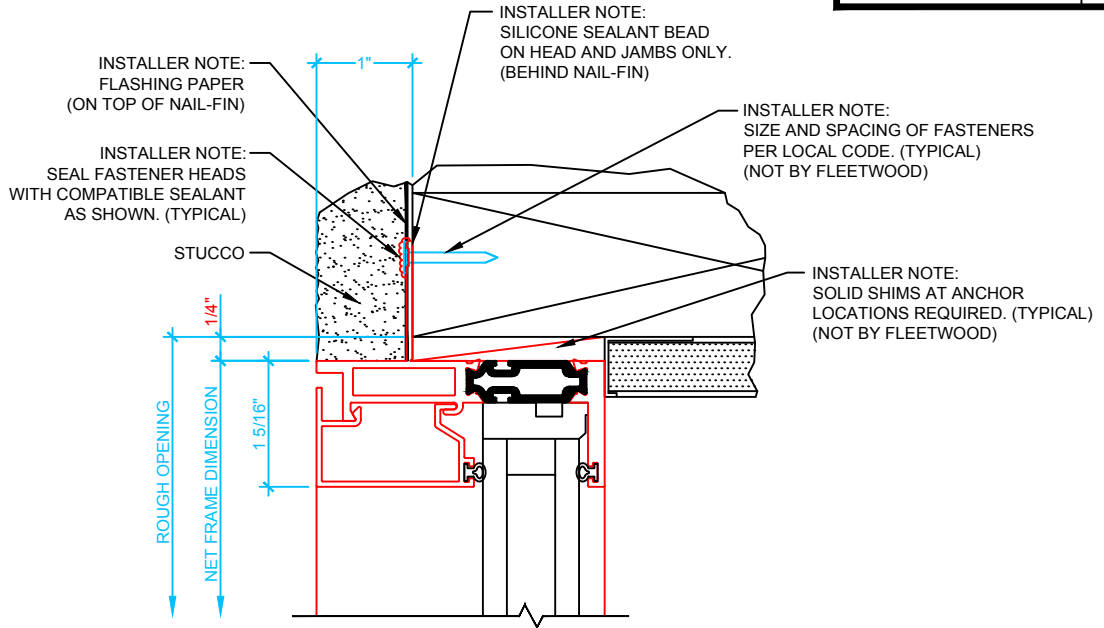


SERIES 450-T

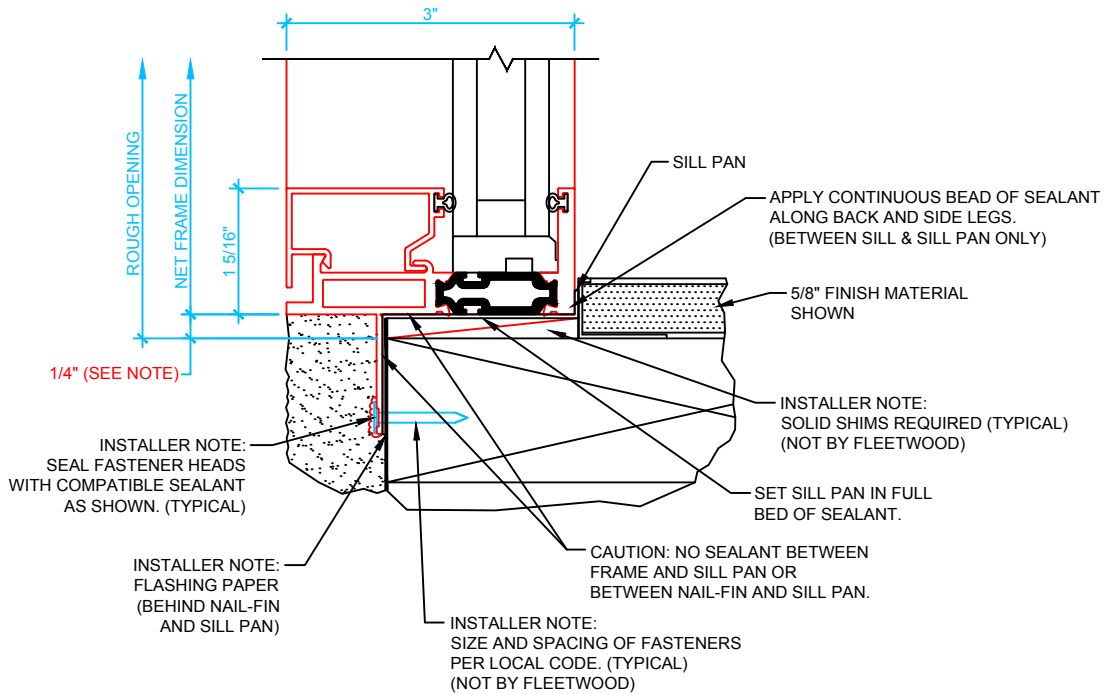
ANCHOR LOCATION WORKSHEET

NAIL-ON FRAME_GTF

FRAME ANCHOR CHECKLIST	
FASTENER TYPE	
MINIMUM EMBEDMENT	
MINIMUM EDGE DISTANCE	
ANCHOR LOCATIONS	
FROM ENDS	
ON CENTER	



1 FIXED WINDOW HEAD
JAMBS SIMILAR
SCALE: 6" = 1'



2 FIXED WINDOW SILL
SCALE: 6" = 1'

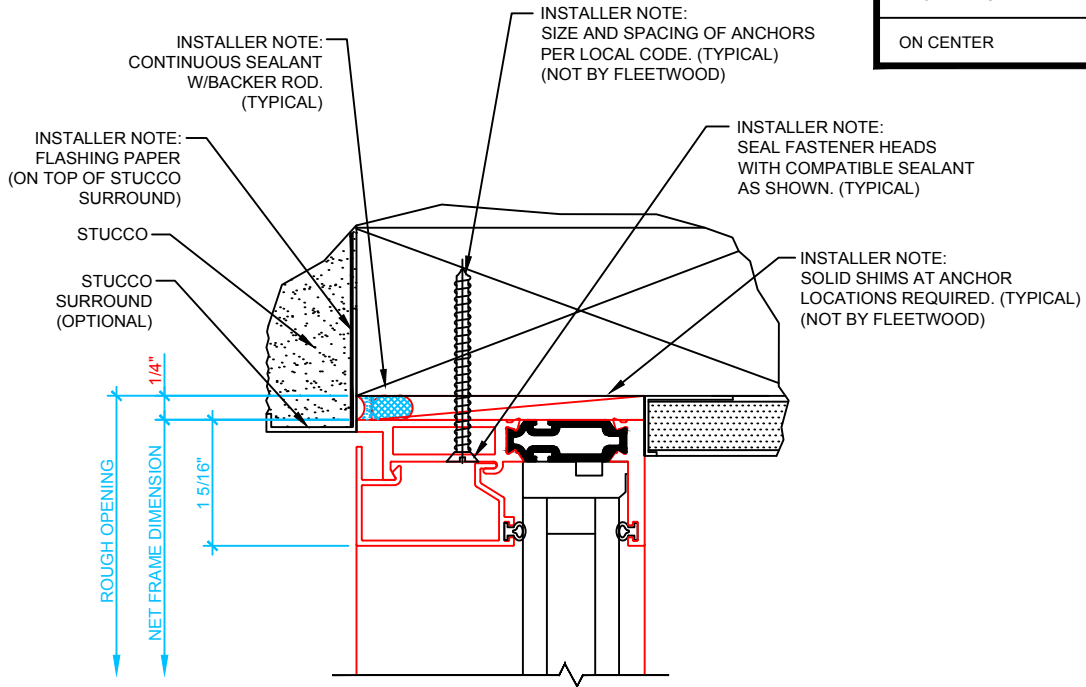
NOTE: SHIM SPACE MAY VARY TO ACCOMMODATE FRAME OPTIONS AND INTERIOR FINISH MATERIAL.
SILL DISCLAIMER: IT IS THE MANUFACTURERS DESIRE FOR THE INSTALLER TO **NOT** PIERCE THE SILL. IN SOME CASES THE CODE OR SPECIFICATIONS REQUIRE SUCH. IN THESE CASES THE INSTALLER IS RESPONSIBLE TO SEAL THESE BREACHES.

SERIES 450-T

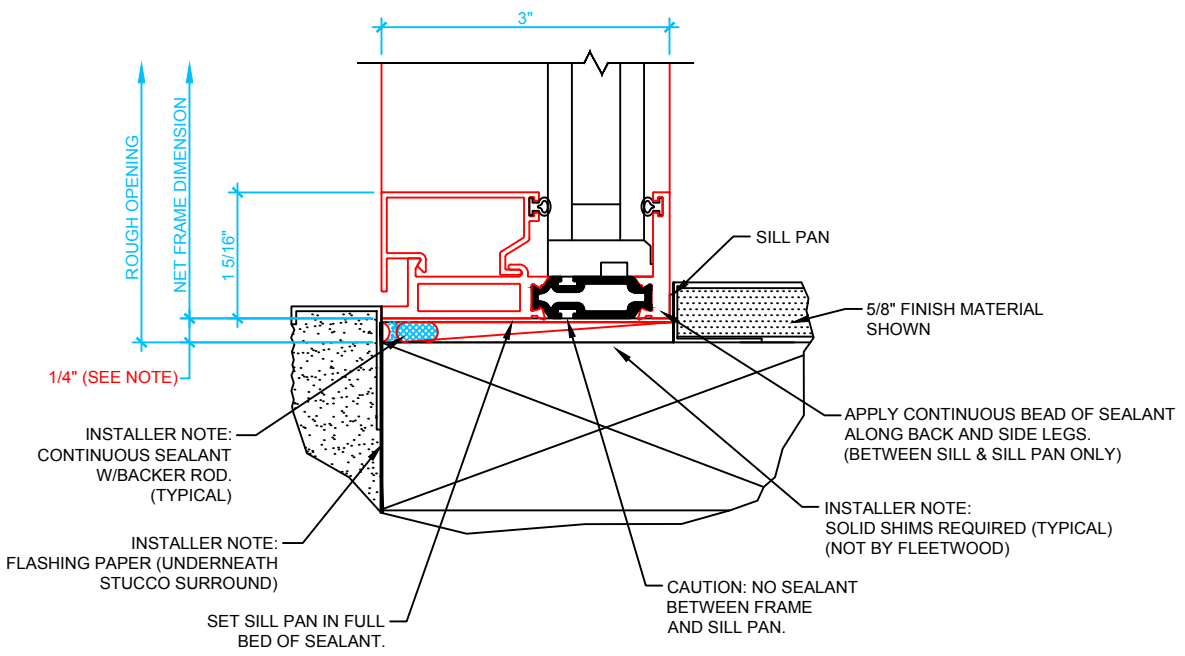
ANCHOR LOCATION WORKSHEET

BLOCK FRAME_GTF

FRAME ANCHOR CHECKLIST	
FASTENER TYPE	
MINIMUM EMBEDMENT	
MINIMUM EDGE DISTANCE	
ANCHOR LOCATIONS	
FROM ENDS	
ON CENTER	



1 FIXED WINDOW HEAD
JAMBS SIMILAR
 SCALE: 6" = 1'



2 FIXED WINDOW SILL
 SCALE: 6" = 1'

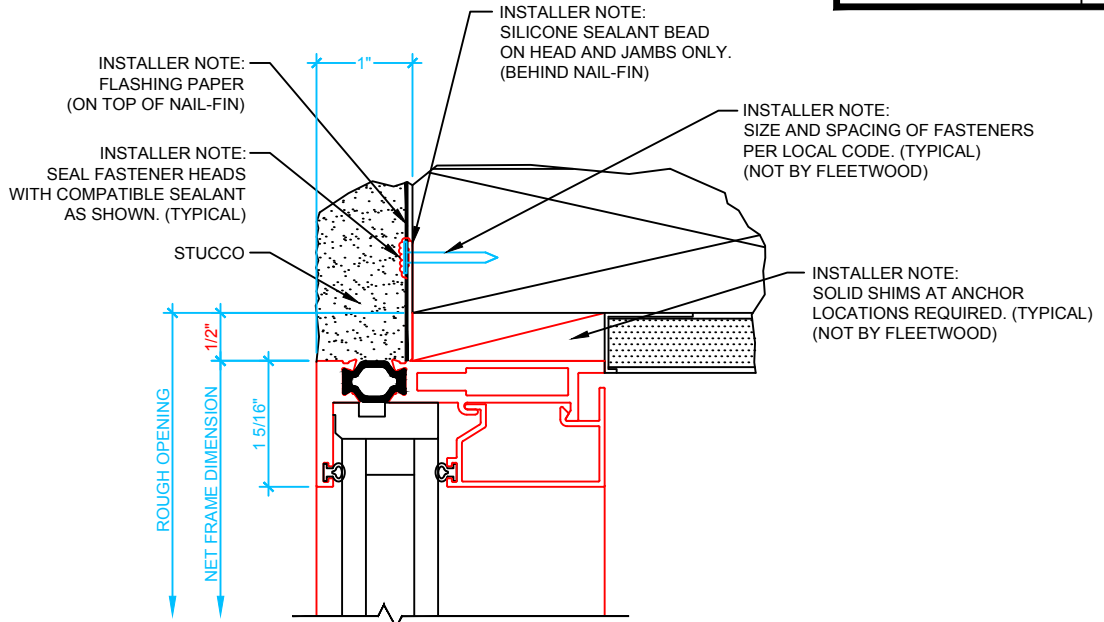
NOTE: SHIM SPACE MAY VARY TO ACCOMMODATE FRAME OPTIONS AND INTERIOR FINISH MATERIAL.
SILL DISCLAIMER: IT IS THE MANUFACTURERS DESIRE FOR THE INSTALLER TO **NOT** PIERCE THE SILL. IN SOME CASES THE CODE OR SPECIFICATIONS REQUIRE SUCH. IN THESE CASES THE INSTALLER IS RESPONSIBLE TO SEAL THESE BREACHES.

SERIES 450-T

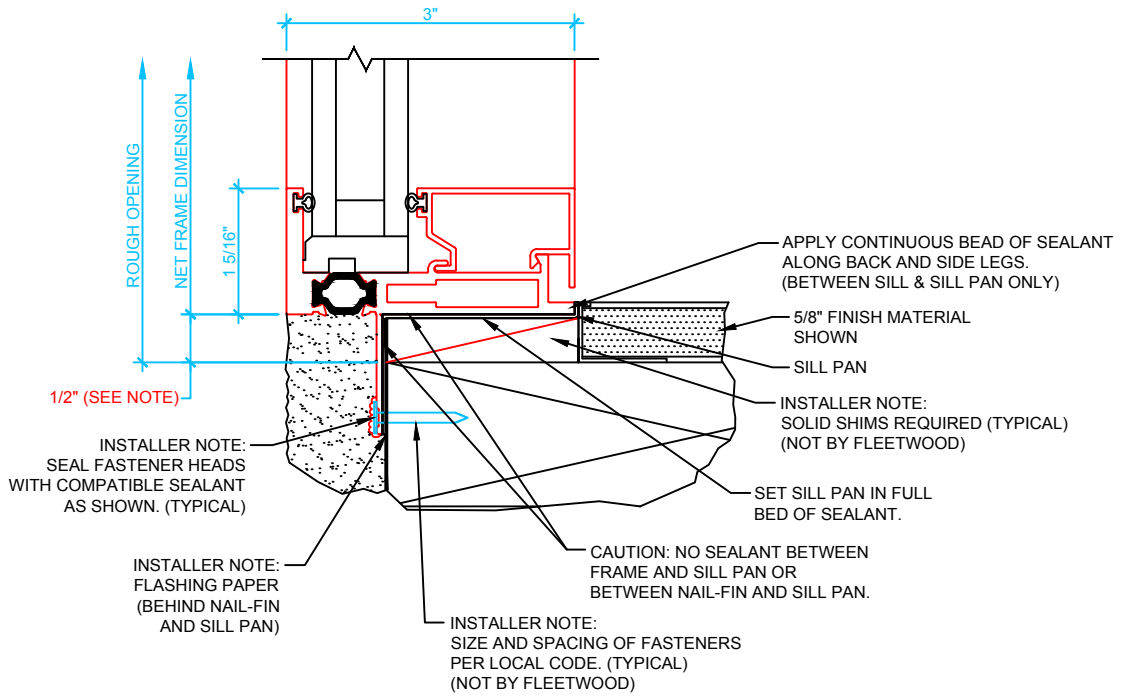
ANCHOR LOCATION WORKSHEET

NAIL-ON FRAME_GTF_INSIDE GLAZED

FRAME ANCHOR CHECKLIST	
FASTENER TYPE	
MINIMUM EMBEDMENT	
MINIMUM EDGE DISTANCE	
ANCHOR LOCATIONS	
FROM ENDS	
ON CENTER	



1 FIXED WINDOW HEAD JAMBS SIMILAR
SCALE: 6" = 1'



2 FIXED WINDOW SILL
SCALE: 6" = 1'

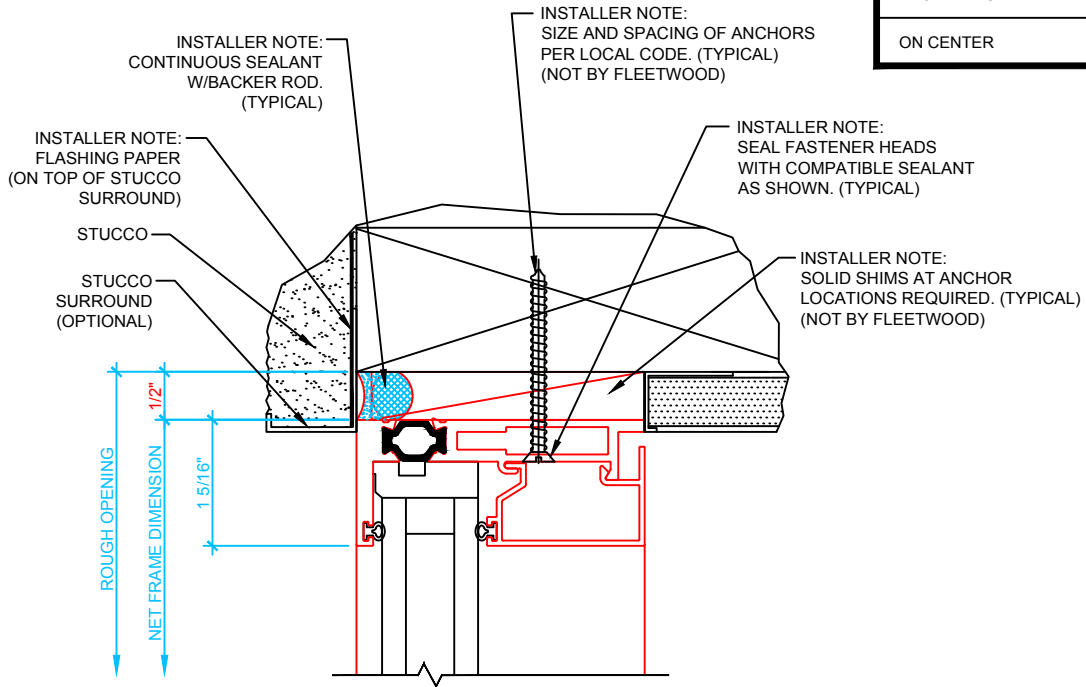
NOTE: SHIM SPACE MAY VARY TO ACCOMMODATE FRAME OPTIONS AND INTERIOR FINISH MATERIAL.
SILL DISCLAIMER: IT IS THE MANUFACTURERS DESIRE FOR THE INSTALLER TO **NOT** PIERCE THE SILL. IN SOME CASES THE CODE OR SPECIFICATIONS REQUIRE SUCH. IN THESE CASES THE INSTALLER IS RESPONSIBLE TO SEAL THESE BREACHES.

SERIES 450-T

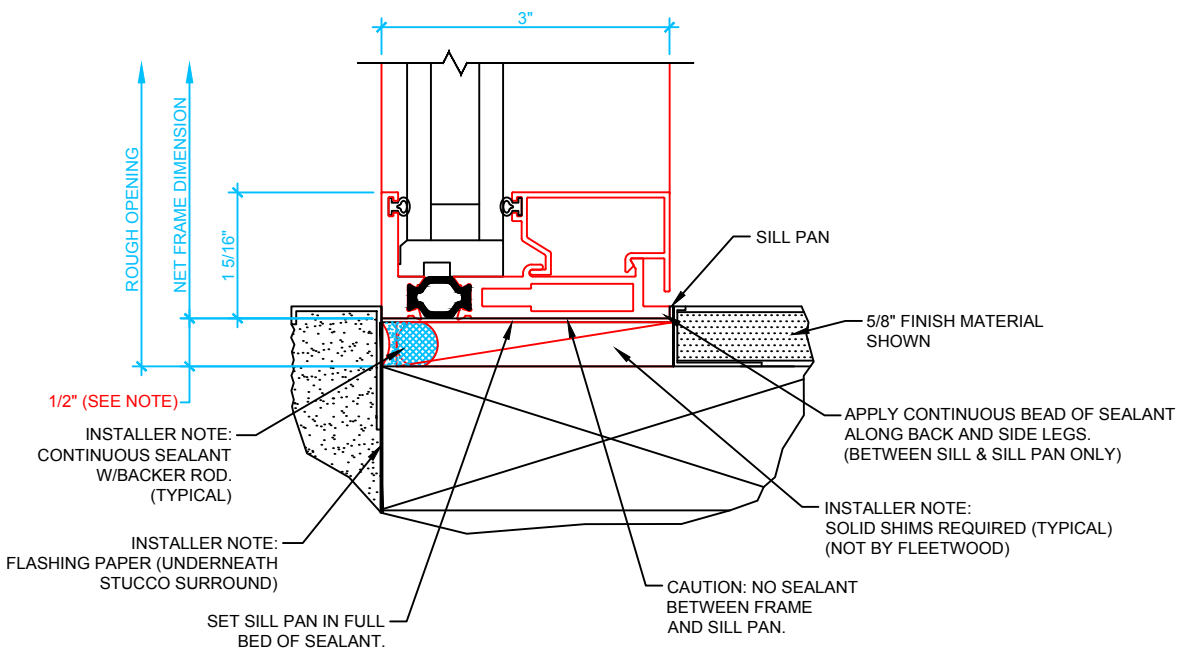
ANCHOR LOCATION WORKSHEET

BLOCK FRAME_GTF_INSIDE GLAZED

FRAME ANCHOR CHECKLIST	
FASTENER TYPE	
MINIMUM EMBEDMENT	
MINIMUM EDGE DISTANCE	
ANCHOR LOCATIONS	
FROM ENDS	
ON CENTER	



1 FIXED WINDOW HEAD
JAMBS SIMILAR
SCALE: 6" = 1'



2 FIXED WINDOW SILL
SCALE: 6" = 1'

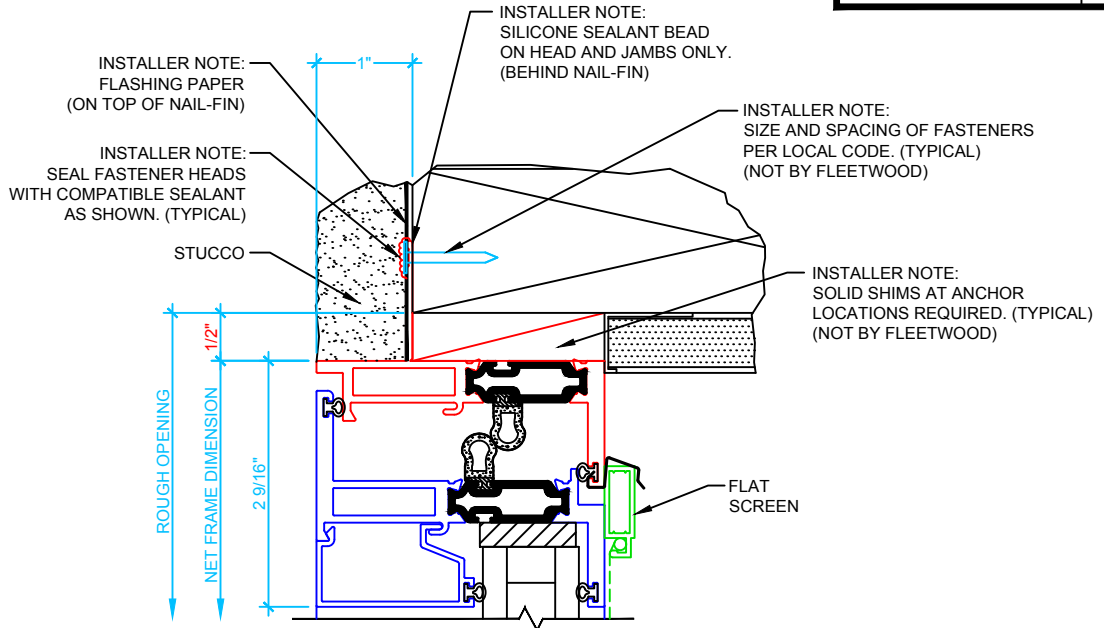
NOTE: SHIM SPACE MAY VARY TO ACCOMMODATE FRAME OPTIONS AND INTERIOR FINISH MATERIAL.
SILL DISCLAIMER: IT IS THE MANUFACTURERS DESIRE FOR THE INSTALLER TO **NOT** PIERCE THE SILL. IN SOME CASES THE CODE OR SPECIFICATIONS REQUIRE SUCH. IN THESE CASES THE INSTALLER IS RESPONSIBLE TO SEAL THESE BREACHES.

SERIES 450-T

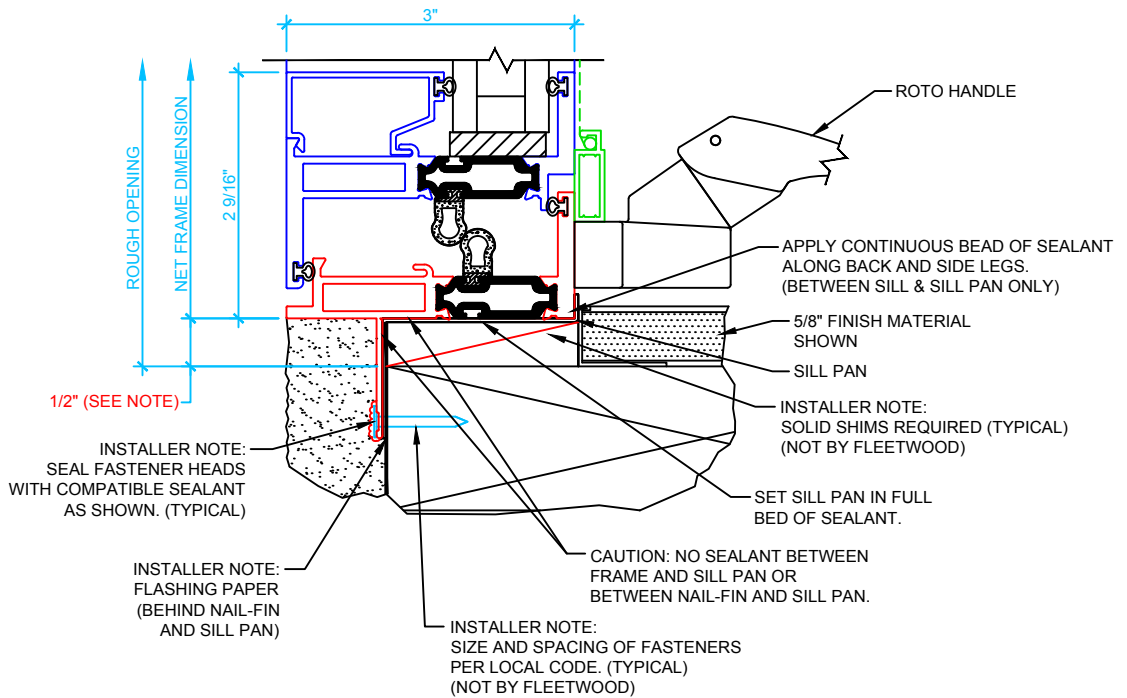
ANCHOR LOCATION WORKSHEET

NAIL-ON FRAME_FLAT SCREEN

FRAME ANCHOR CHECKLIST	
FASTENER TYPE	
MINIMUM EMBEDMENT	
MINIMUM EDGE DISTANCE	
ANCHOR LOCATIONS	
FROM ENDS	
ON CENTER	



1 CASEMENT HEAD SHOWN
JAMBS SIMILAR
SCALE: 6" = 1'



2 CASEMENT SILL SHOWN
SCALE: 6" = 1'

NOTE: SHIM SPACE MAY VARY TO ACCOMMODATE FRAME OPTIONS AND INTERIOR FINISH MATERIAL.

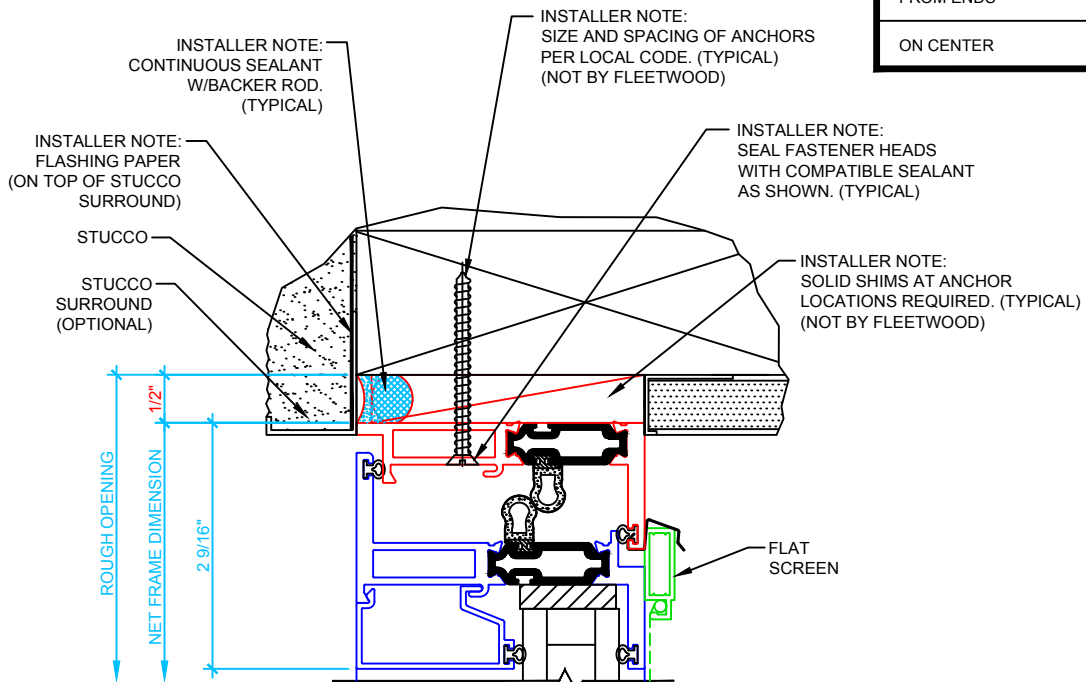
SILL DISCLAIMER: IT IS THE MANUFACTURERS DESIRE FOR THE INSTALLER TO **NOT** PIERCE THE SILL. IN SOME CASES THE CODE OR SPECIFICATIONS REQUIRE SUCH. IN THESE CASES THE INSTALLER IS RESPONSIBLE TO SEAL THESE BREACHES.

SERIES 450-T

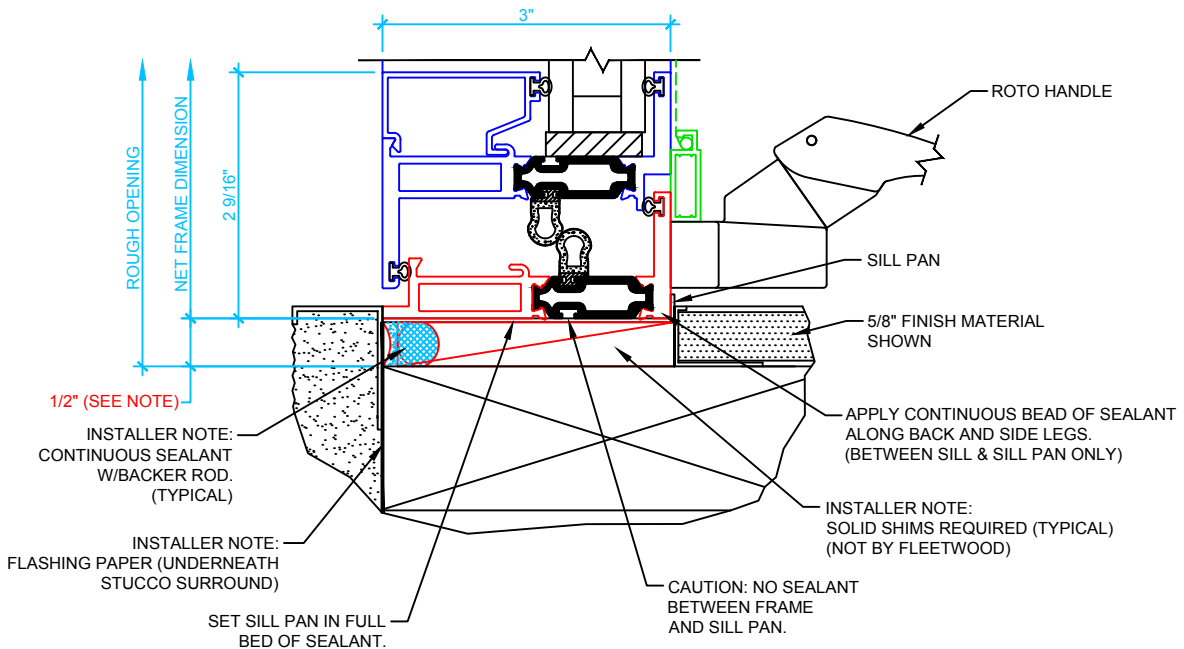
ANCHOR LOCATION WORKSHEET

BLOCK FRAME_FLAT SCREEN

FRAME ANCHOR CHECKLIST	
FASTENER TYPE	
MINIMUM EMBEDMENT	
MINIMUM EDGE DISTANCE	
ANCHOR LOCATIONS	
FROM ENDS	
ON CENTER	



1 CASEMENT HEAD SHOWN
JAMBS SIMILAR
SCALE: 6" = 1'



2 CASEMENT SILL SHOWN
SCALE: 6" = 1'

NOTE: SHIM SPACE MAY VARY TO ACCOMMODATE FRAME OPTIONS AND INTERIOR FINISH MATERIAL.

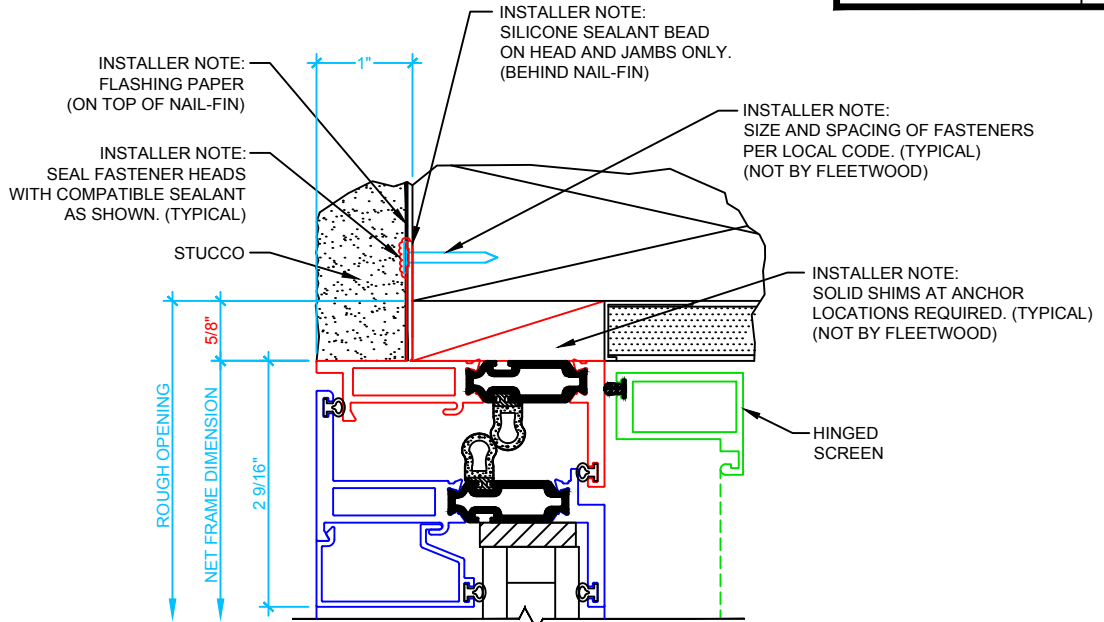
SILL DISCLAIMER: IT IS THE MANUFACTURERS DESIRE FOR THE INSTALLER TO **NOT** PIERCE THE SILL. IN SOME CASES THE CODE OR SPECIFICATIONS REQUIRE SUCH. IN THESE CASES THE INSTALLER IS RESPONSIBLE TO SEAL THESE BREACHES.

SERIES 450-T

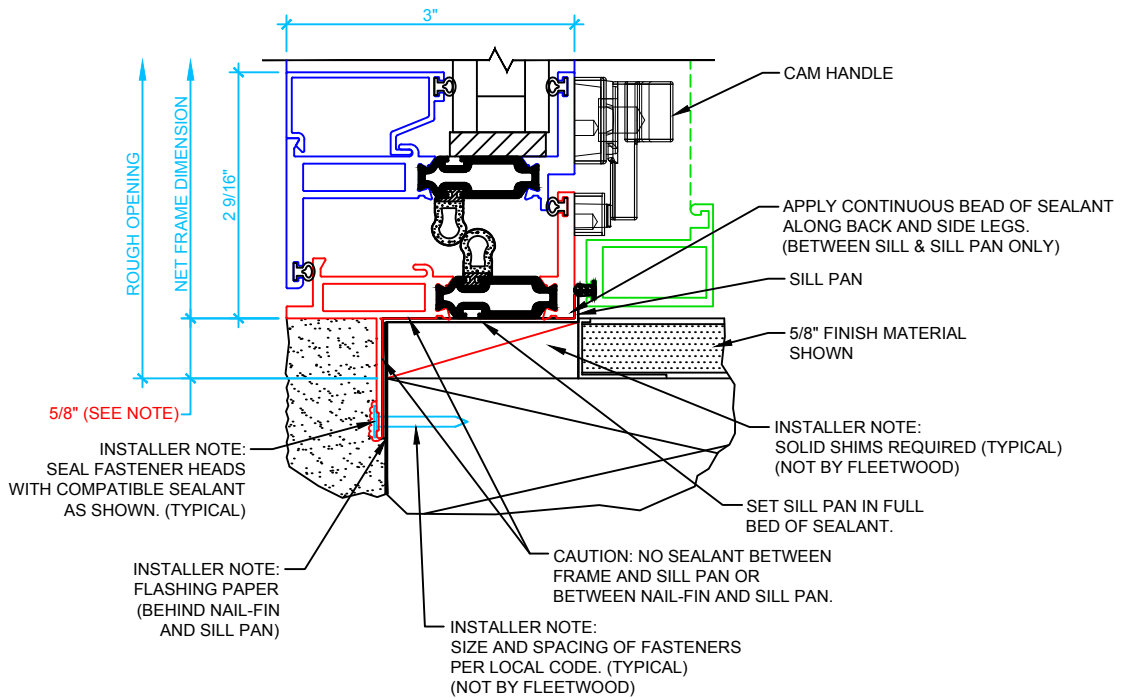
ANCHOR LOCATION WORKSHEET

NAIL-ON FRAME_HINGED SCREEN

FRAME ANCHOR CHECKLIST	
FASTENER TYPE	
MINIMUM EMBEDMENT	
MINIMUM EDGE DISTANCE	
ANCHOR LOCATIONS	
FROM ENDS	
ON CENTER	



1 AWNING HEAD SHOWN
JAMBS SIMILAR
SCALE: 6" = 1'



2 AWNING SILL SHOWN
SCALE: 6" = 1'

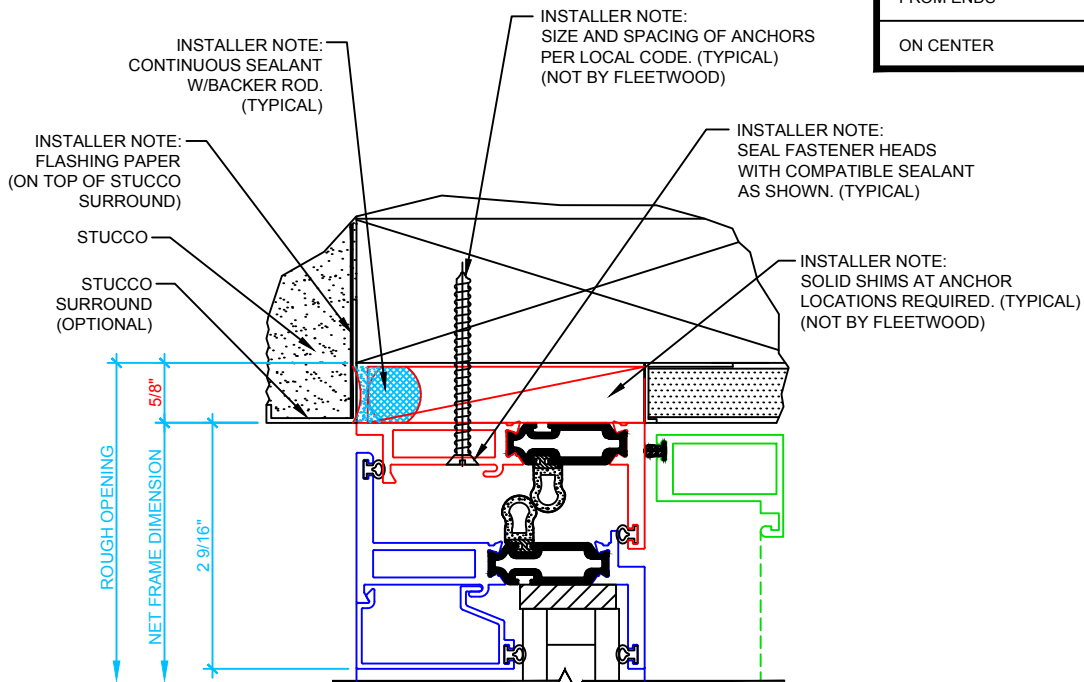
NOTE: SHIM SPACE MAY VARY TO ACCOMMODATE FRAME OPTIONS AND INTERIOR FINISH MATERIAL.
SILL DISCLAIMER: IT IS THE MANUFACTURERS DESIRE FOR THE INSTALLER TO **NOT** PIERCE THE SILL. IN SOME CASES THE CODE OR SPECIFICATIONS REQUIRE SUCH. IN THESE CASES THE INSTALLER IS RESPONSIBLE TO SEAL THESE BREACHES.

SERIES 450-T

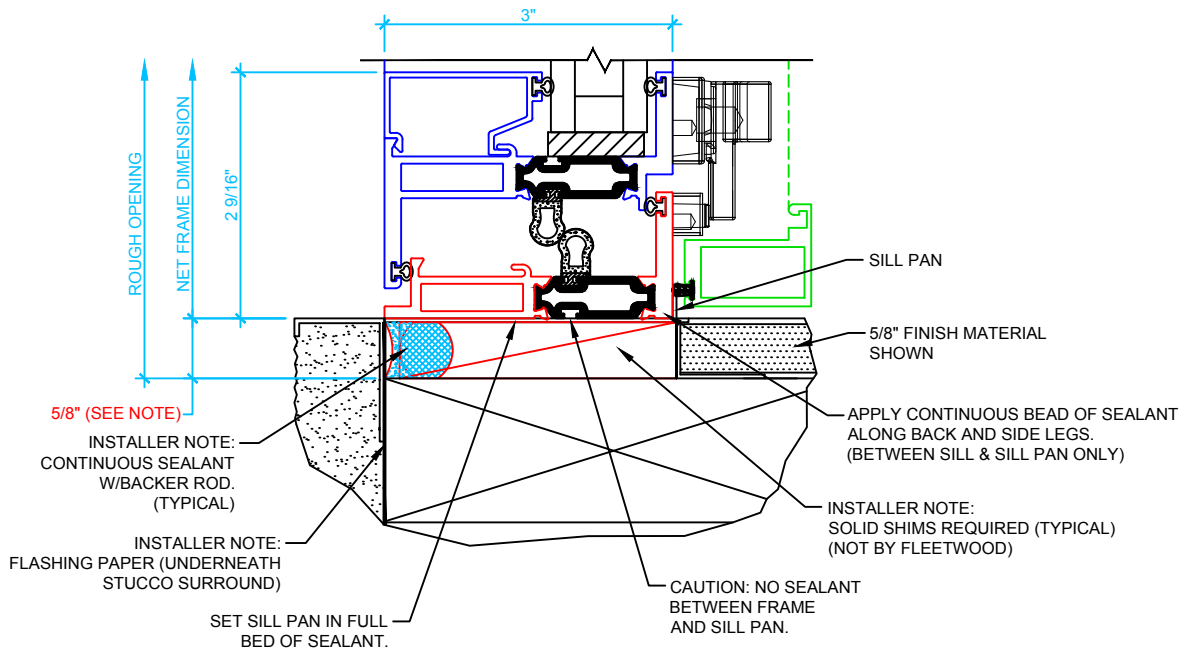
ANCHOR LOCATION WORKSHEET

BLOCK FRAME_HINGED SCREEN

FRAME ANCHOR CHECKLIST	
FASTENER TYPE	
MINIMUM EMBEDMENT	
MINIMUM EDGE DISTANCE	
ANCHOR LOCATIONS	
FROM ENDS	
ON CENTER	



1 AWNING HEAD SHOWN
JAMBS SIMILAR
SCALE: 6" = 1'



2 AWNING SILL SHOWN
SCALE: 6" = 1'

NOTE: SHIM SPACE MAY VARY TO ACCOMMODATE FRAME OPTIONS AND INTERIOR FINISH MATERIAL.

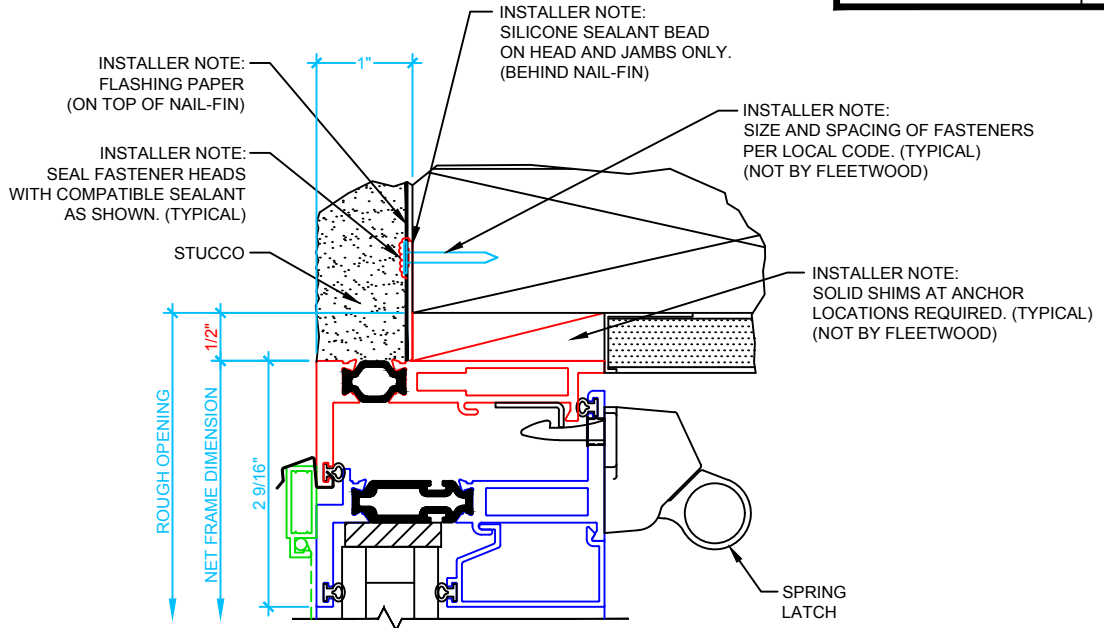
SILL DISCLAIMER: IT IS THE MANUFACTURERS DESIRE FOR THE INSTALLER TO **NOT** PIERCE THE SILL. IN SOME CASES THE CODE OR SPECIFICATIONS REQUIRE SUCH. IN THESE CASES THE INSTALLER IS RESPONSIBLE TO SEAL THESE BREACHES.

SERIES 450-T

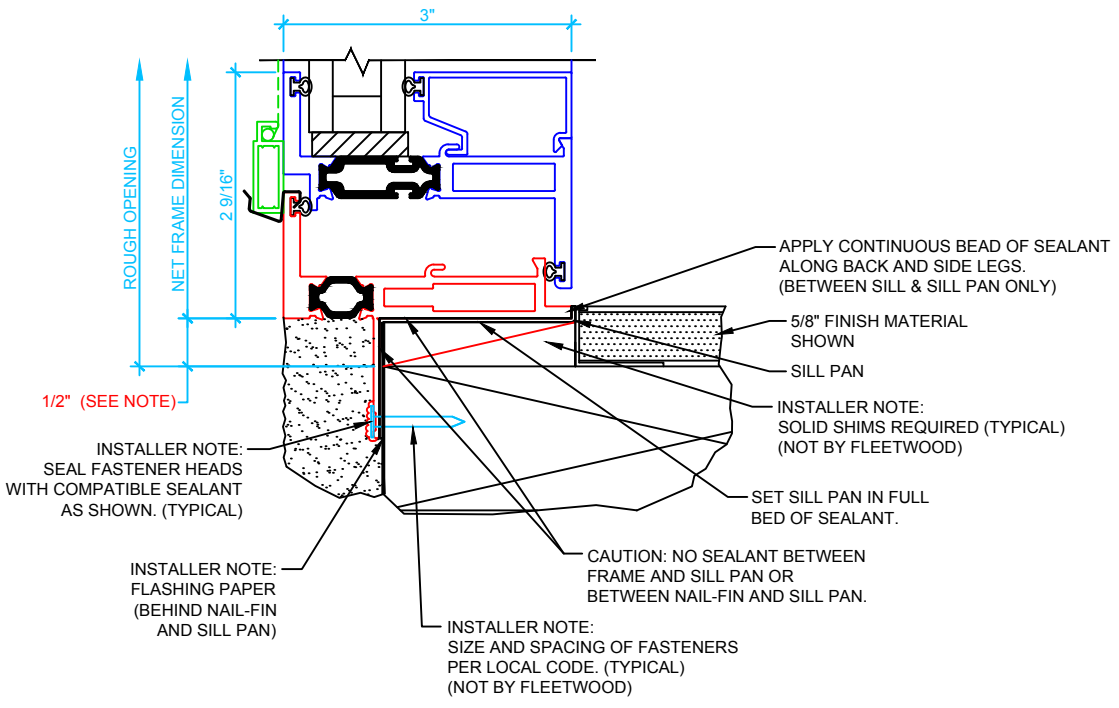
ANCHOR LOCATION WORKSHEET

NAIL-ON FRAME_INSWING

FRAME ANCHOR CHECKLIST	
FASTENER TYPE	
MINIMUM EMBEDMENT	
MINIMUM EDGE DISTANCE	
ANCHOR LOCATIONS	
FROM ENDS	
ON CENTER	



1 HOPPER HEAD SHOWN
JAMBS SIMILAR
SCALE: 6" = 1'



2 HOPPER SILL SHOWN
SCALE: 6" = 1'

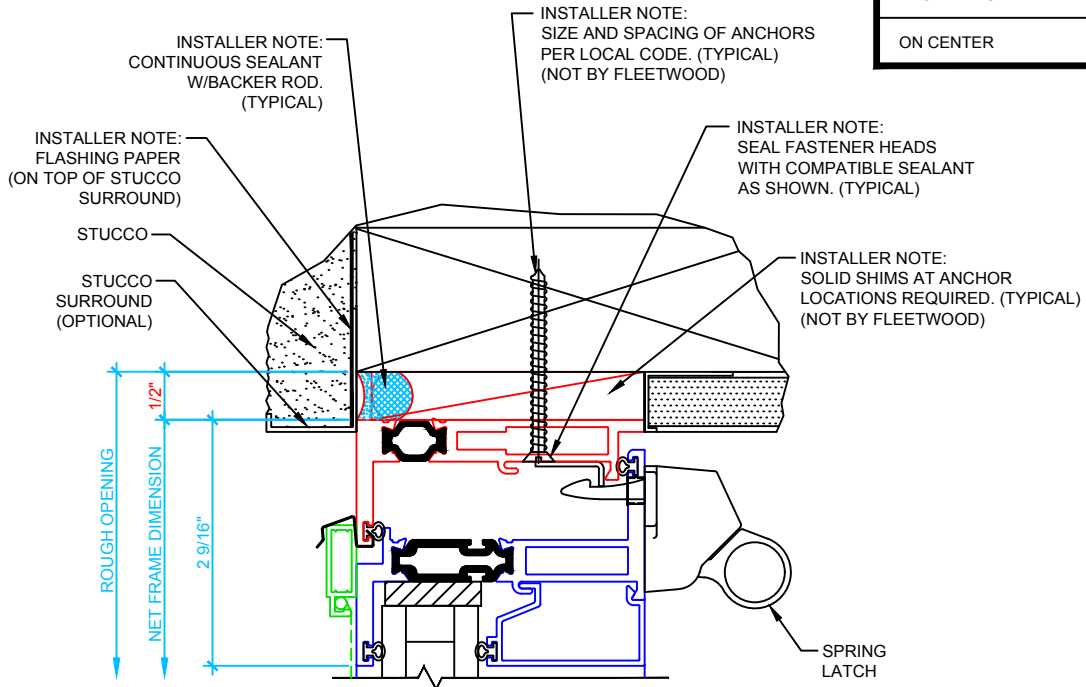
NOTE: SHIM SPACE MAY VARY TO ACCOMMODATE FRAME OPTIONS AND INTERIOR FINISH MATERIAL.
SILL DISCLAIMER: IT IS THE MANUFACTURERS DESIRE FOR THE INSTALLER TO **NOT** PIERCE THE SILL. IN SOME CASES THE CODE OR SPECIFICATIONS REQUIRE SUCH. IN THESE CASES THE INSTALLER IS RESPONSIBLE TO SEAL THESE BREACHES.

SERIES 450-T

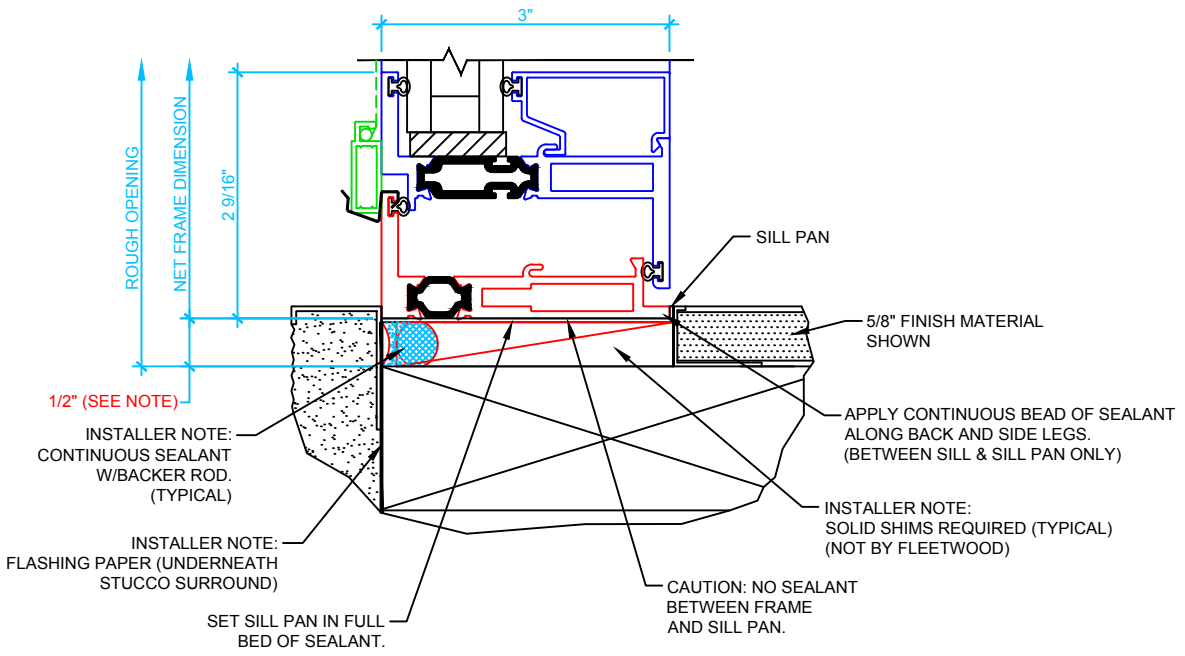
ANCHOR LOCATION WORKSHEET

BLOCK FRAME_INSWING

FRAME ANCHOR CHECKLIST	
FASTENER TYPE	
MINIMUM EMBEDMENT	
MINIMUM EDGE DISTANCE	
ANCHOR LOCATIONS	
FROM ENDS	
ON CENTER	



1 HOPPER HEAD SHOWN
JAMBS SIMILAR
 SCALE: 6" = 1'



2 HOPPER SILL SHOWN
 SCALE: 6" = 1'

NOTE: SHIM SPACE MAY VARY TO ACCOMMODATE FRAME OPTIONS AND INTERIOR FINISH MATERIAL.
SILL DISCLAIMER: IT IS THE MANUFACTURERS DESIRE FOR THE INSTALLER TO **NOT** PIERCE THE SILL. IN SOME CASES THE CODE OR SPECIFICATIONS REQUIRE SUCH. IN THESE CASES THE INSTALLER IS RESPONSIBLE TO SEAL THESE BREACHES.