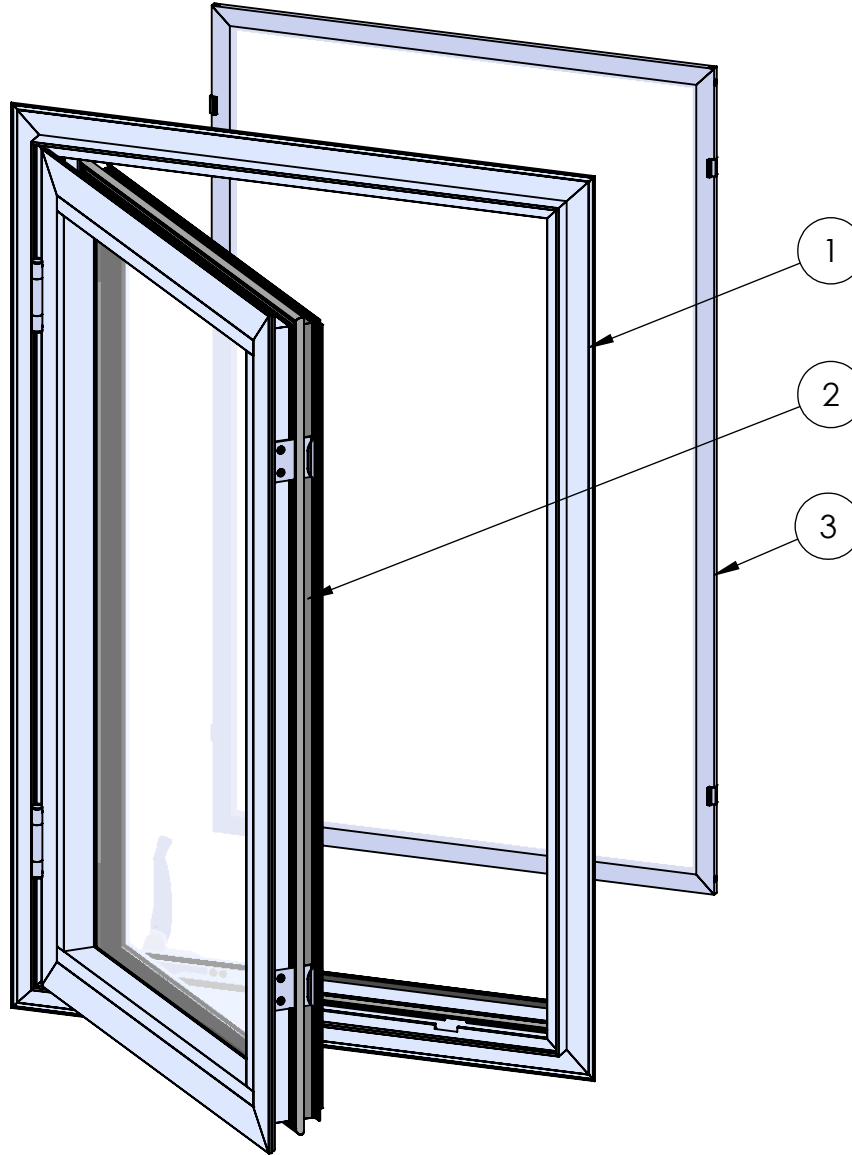


# ASSEMBLY / PARTS LIST (B.O.M.)

**Series: 450-T**  
**Type: Casement (4-Bar)**

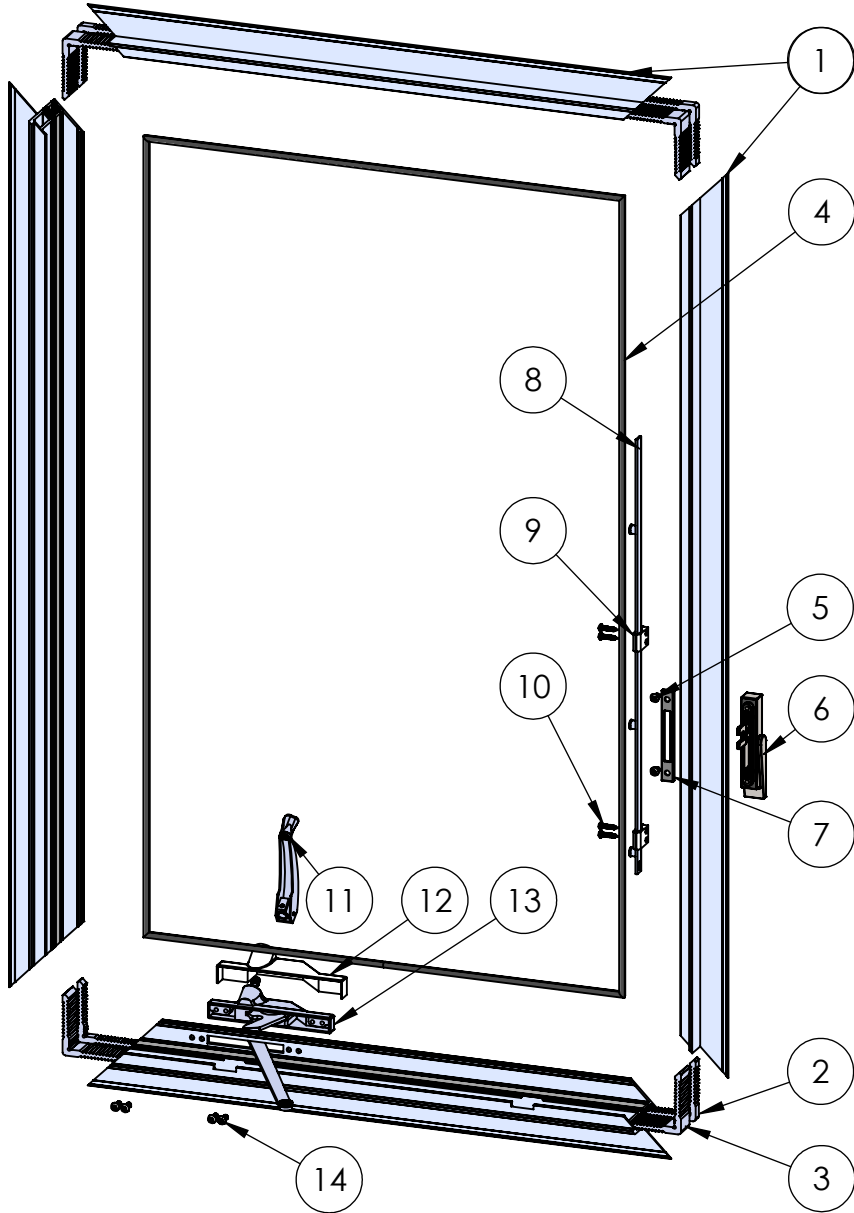


## TABLE OF CONTENTS

ITEM NO.	DESCRIPTION	PAGE #
1	Frame Assembly	2
2	Vent Assembly	3
3	Screen Assembly	4
4	Tables	5

Description Table of Contents	
File Name Series 450-T Casement Butt Hinges Assembly	REV
Released 9/21/2020	SHEET 1 OF 5

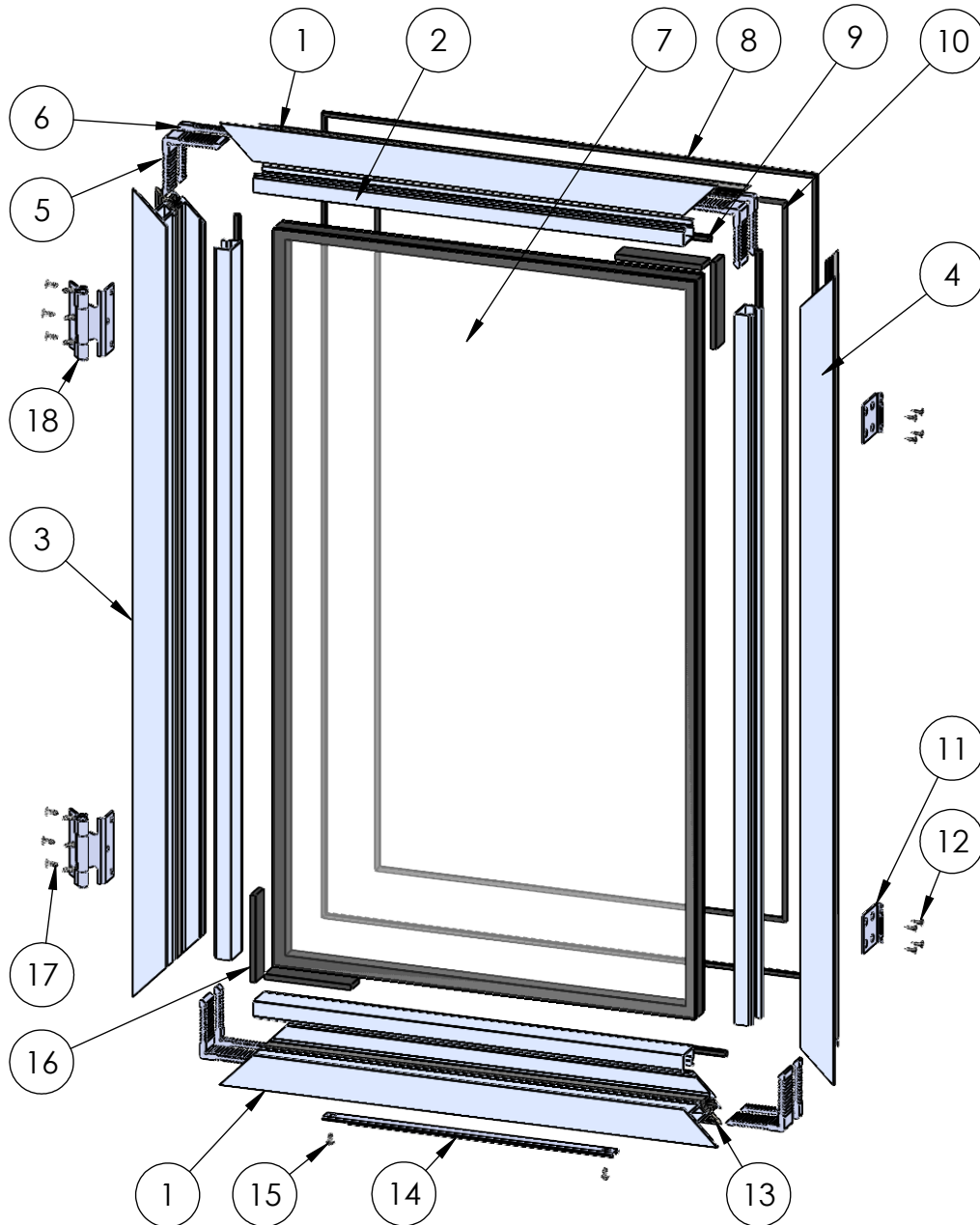
# ASSEMBLY / PARTS LIST (B.O.M.)



Extrusions			
ITEM NO.	PART NUMBER	DESCRIPTION	QTY.
1	4501	Frame	1
2	05P04	Corner Key, .375"	4
3	05P04-1	Corner Key	4
Hardware			
ITEM NO.	PART NUMBER	DESCRIPTION	QTY.
4	26233	Flexible Bulb Vinyl	1
5	26142	#10-24 Torx Screw, 0.375", SS, Clear, Driver Size T25	2
6	26065	Multipoint Latch	1
7	26067	Multipoint Latch Cover Plate	1
8	See Table A	Multipoint Tie Bar	1
9	24731	24731, Tie Bar Guide	2
10	20314	#8 PHP-A Screw, .75 in.	4
11	See Table B	Handle Options	1
12	25634, 25635	Casement Oper. Cover - (LH, RH)	1
13	See Table C	Casement Roto Operator	1
14	25574	#10-32 Torx-Drive Button-Head Screw, 0.5", SS, Driver Size T25	4

Description Frame Assembly / B.O.M.	
File Name Series 450-T Casement Butt Hinges Assembly	REV
Released 9/21/2020	SHEET 2 OF 5

# ASSEMBLY / PARTS LIST (B.O.M.)



Extrusions			
ITEM NO.	PART NUMBER	DESCRIPTION	QTY.
1	4502	Top and Bottom Horizontal	2
2	4503, 4504, 4505	Glass Stop (1", 1.25", 1.75")	4
3	4502	Butt Hinge Vertical	1
4	4502	Locking Vertical	1
5	05P04-1	Corner Key, 1"	4
6	05P04	Corner Key, 0.375"	4
Hardware			
ITEM NO.	PART NUMBER	DESCRIPTION	QTY.
7	-	Glass	1
8	26233	Flexible Bulb Vinyl	1
9	25031	Large Bulb Vinyl	4
10	25199	Mini Bulb Vinyl	1
11	26069	Multipoint Keeper	2
12	20240	#8 FHP-A-UC Screw, 0.5", Clear	8
13	26226	Foam Seal	4
14	20768	Casement Track	1
15	20337	#10 PHP - B, 3/8", SS, Clear	2
16	18620	Setting Block 4" x 1/4"x1"	8
17	20272, 20276	#10 FHP-A-UC, 0.5 in, (Clear, Black)	12
18	26067	Butt Hinge	2

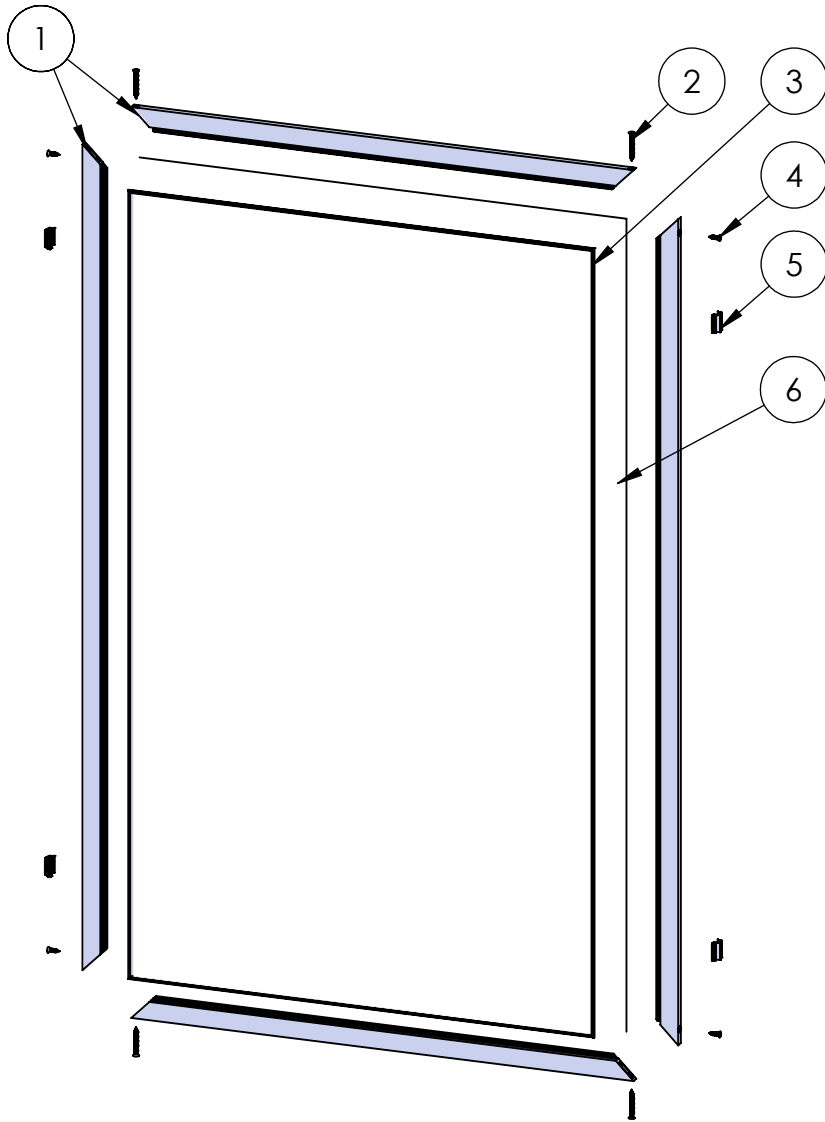
Description  
Vent Assembly / B.O.M.

File Name  
Series 450-T Casement Butt Hinges Assembly

REV

Released 9/21/2020 SHEET 3 OF 5

# ASSEMBLY / PARTS LIST (B.O.M.)



EXTRUSIONS			
ITEM NO.	PART NUMBER	DESCRIPTION	QTY.
1	114	.3125 Screen Frame	4
HARDWARE			
2	25751	#6 FHP Screw, 1.25 in	4
3	19127	SCREEN RUBBER SPLINE .150	1
4	25752	#6 FHP Screw, .5 in	4
5	25173, 25753	Screen Clip, SS, Clear, Black	4
6	-	Screen Mesh	1

Description Screen Assembly / B.O.M.	
File Name Series 450-T Casement Butt Hinges Assembly	REV
Released 9/21/2020	SHEET 4 OF 5

# ASSEMBLY / PARTS LIST (B.O.M.)

Frame Height (in.)	Tie Bar ID #
26 < 30	19005
30 < 34	19006
34 < 38	19007
38 < 42	18960
42 < 46	18959
46 < 50	18961
50 < 54	18969
54 < 58	18946
58 < 62	18956
62 < 66	18955
66 < 70	18954
70 < 74	23296
74 < 78	24671
78 < 82	24670
82 < 101	23385

PART #	Finish
18789	Black
18792	Brushed

Handing	Color	Arm Type	Arm Length	ID #
CL	Black	Brass	7.5	23358
			13.5	18861
		S.S.	7.5	23347
	13.5		23353	
	BCN	Brass	7.5	23360
			13.5	18867
S.S.		7.5	23345	
	13.5	23351		
CR	Black	Brass	7.5	23355
			13.5	18860
		S.S.	7.5	23348
	13.5		23354	
	BCN	Brass	7.5	23357
			13.5	18866
S.S.		7.5	23346	
	13.5	23352		

Description	
Tables	
File Name	REV
Series 450-T Casement Butt Hinges Assembly	
Released	SHEET 5 OF 5
9/21/2020	