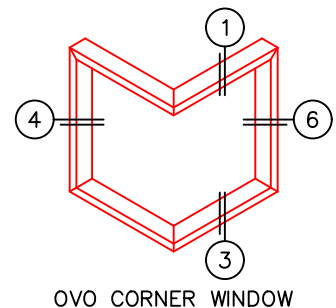
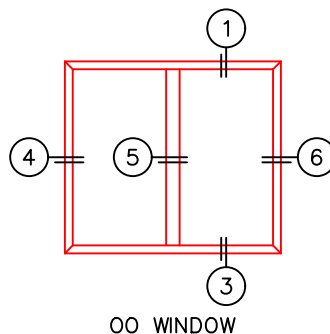
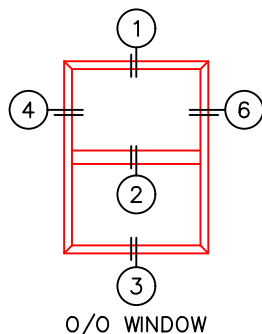
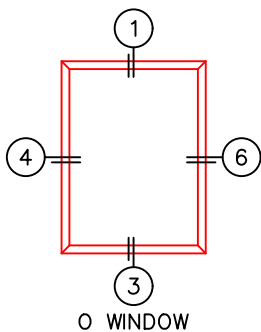
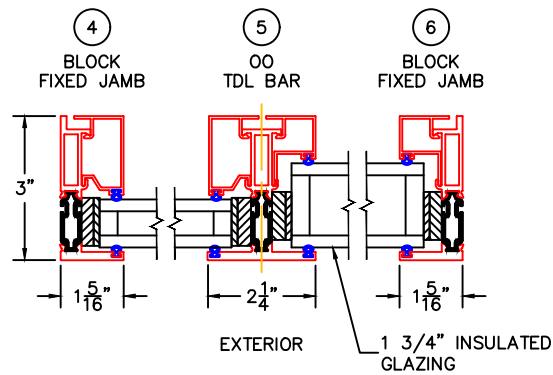
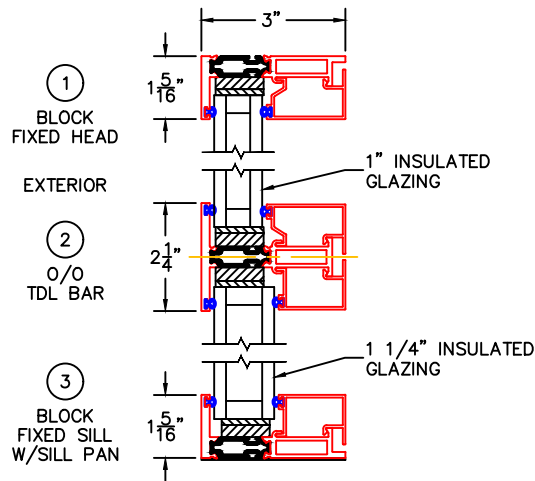


(USE RULER TO SCALE DIMENSIONS IN INCHES)  
**SCALE: 1/4"**

INSIDE GLAZED FIXED DETAILS

1", 1-1/4" AND 1-3/4" INSULATED GLAZING  
AVAILABLE AS SHOWN

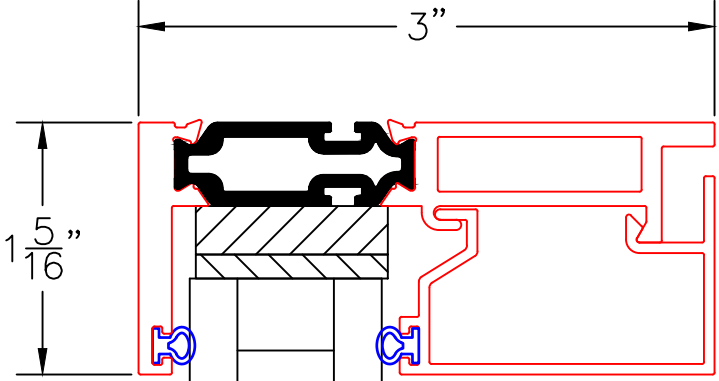


-GLASS PENETRATION = 1/2"  
-EXTERIOR RATED PRODUCTS HAVE WEEP SLOTS ON HORIZONTAL SILLS.

0 0.5 1  
(USE RULER TO SCALE DIMENSIONS IN INCHES)  
**SCALE: FULL**

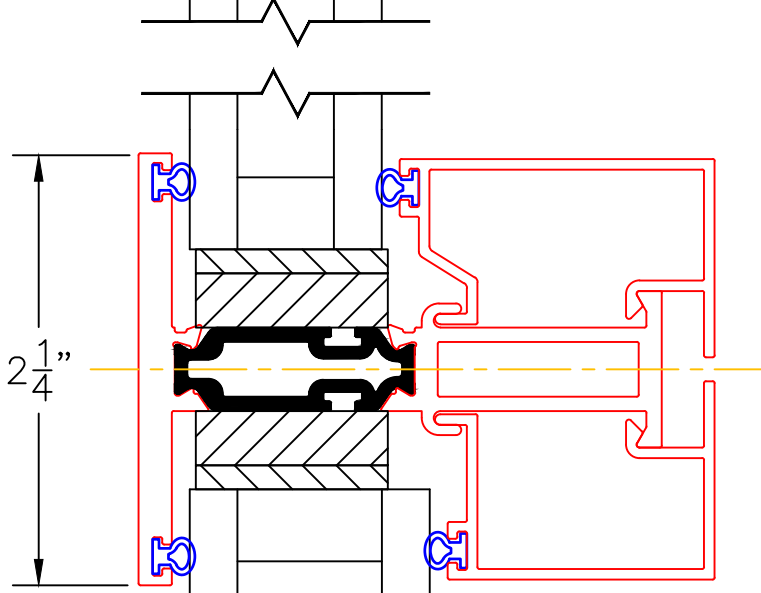
INSIDE GLAZED FIXED UNIT DETAILS  
1" & 1-1/4" INSULATED GLAZING SHOWN

①  
BLOCK  
FIXED HEAD

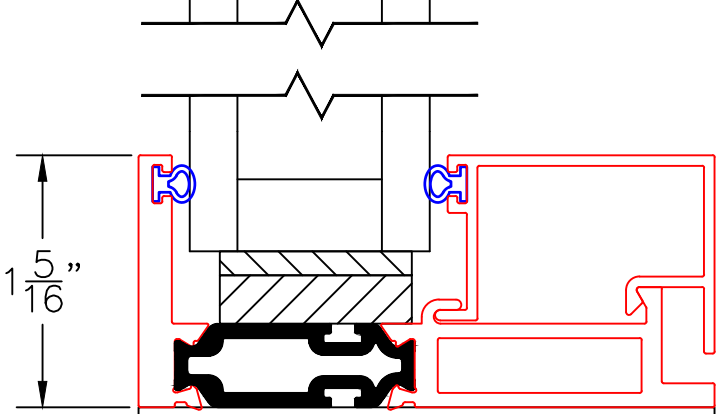


EXTERIOR

②  
O/O  
TDL BAR



③  
BLOCK  
FIXED SILL  
W/SILL PAN



0 0.5 1  
(USE RULER TO SCALE DIMENSIONS IN INCHES)  
**SCALE: FULL**

## INSIDE GLAZED FIXED UNIT DETAILS 1 & 1-3/4" INSULATED GLAZING SHOWN

