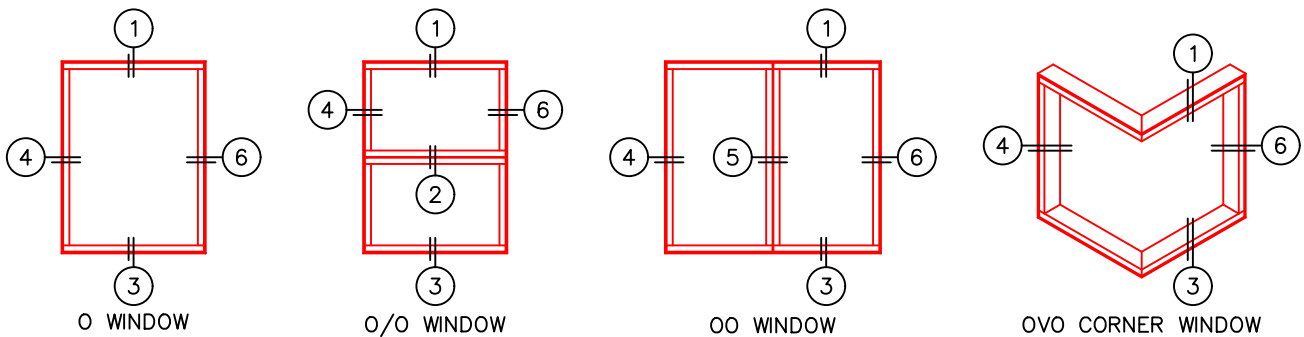
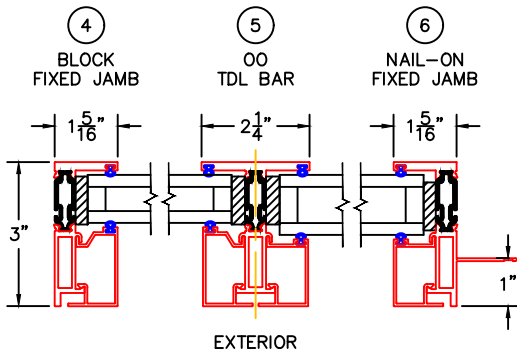
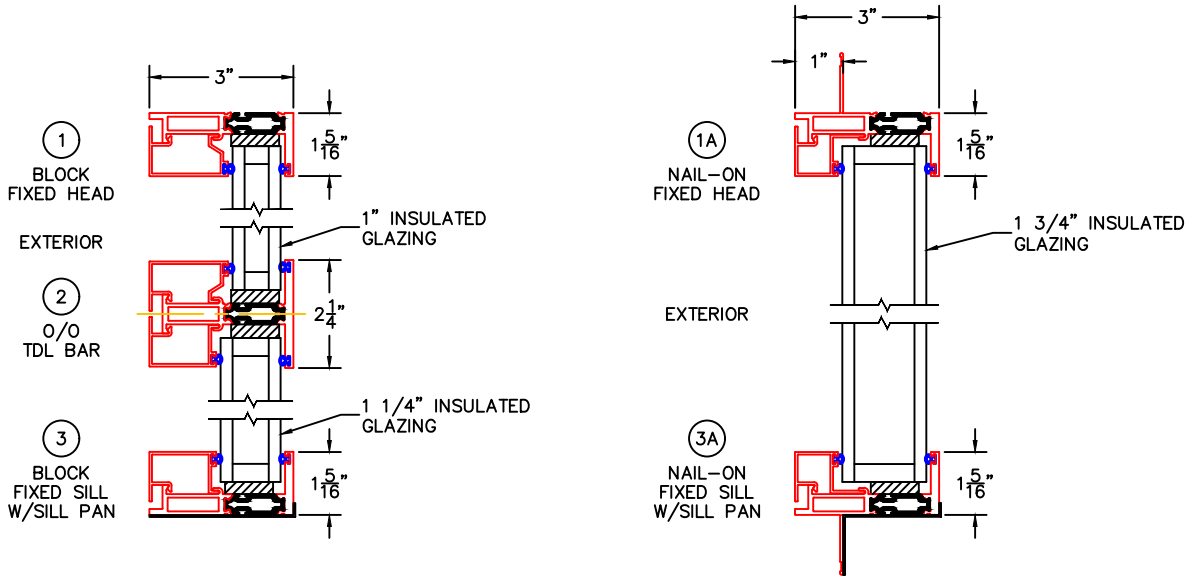


(USE RULER TO SCALE DIMENSIONS IN INCHES)

SCALE: 1/4"

## GLAZED TO FRAME FIXED DETAILS 1", 1-1/4" AND 1-3/4" INSULATED GLAZING AVAILABLE AS SHOWN



-GLASS PENETRATION = 5/8"  
-EXTERIOR RATED PRODUCTS HAVE WEEP SLOTS ON HORIZONTAL SILLS.

0 0.5 1  
(USE RULER TO SCALE DIMENSIONS IN INCHES)  
**SCALE: FULL**

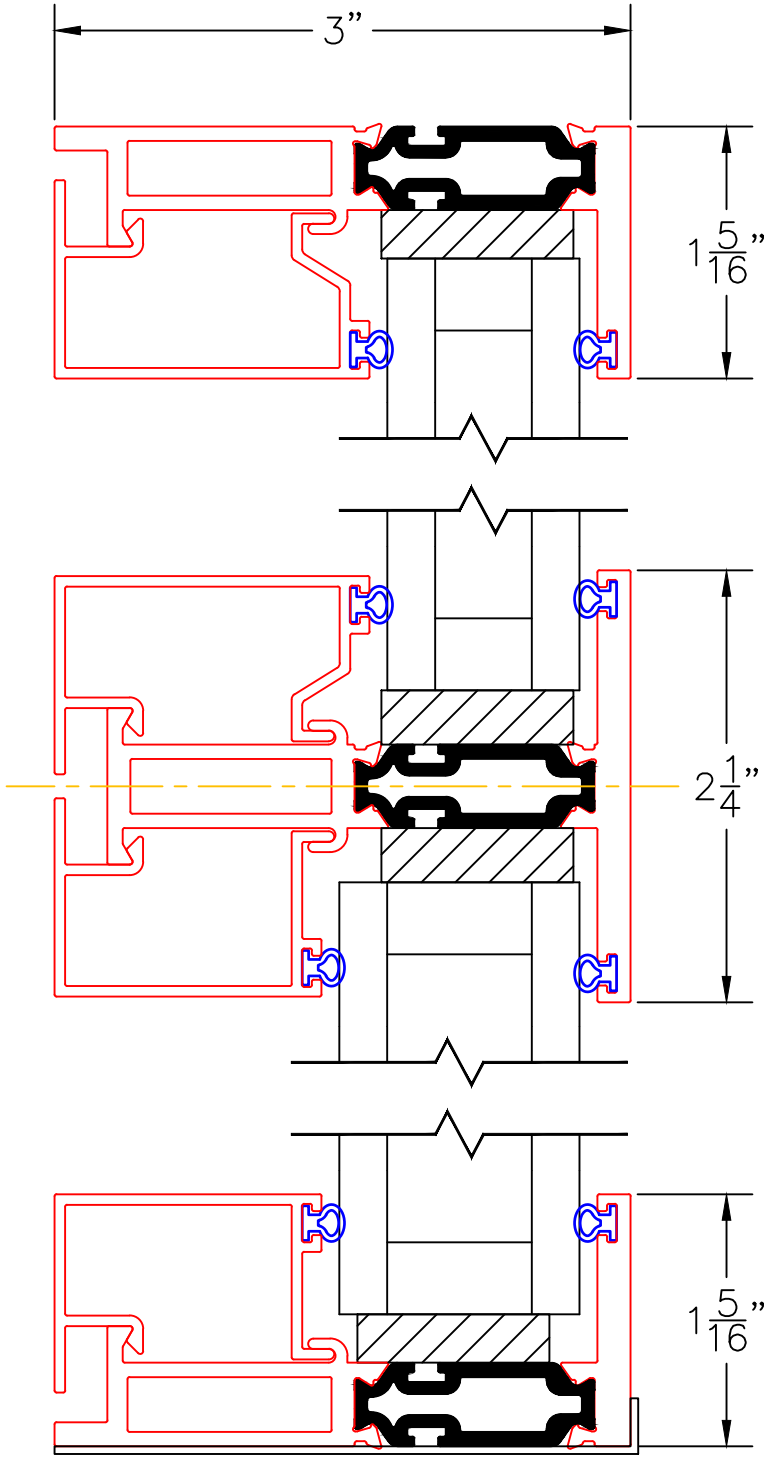
GLAZED TO FRAME FIXED UNIT DETAILS  
1" & 1-1/4" INSULATED GLAZING SHOWN

①  
BLOCK  
FIXED HEAD

EXTERIOR

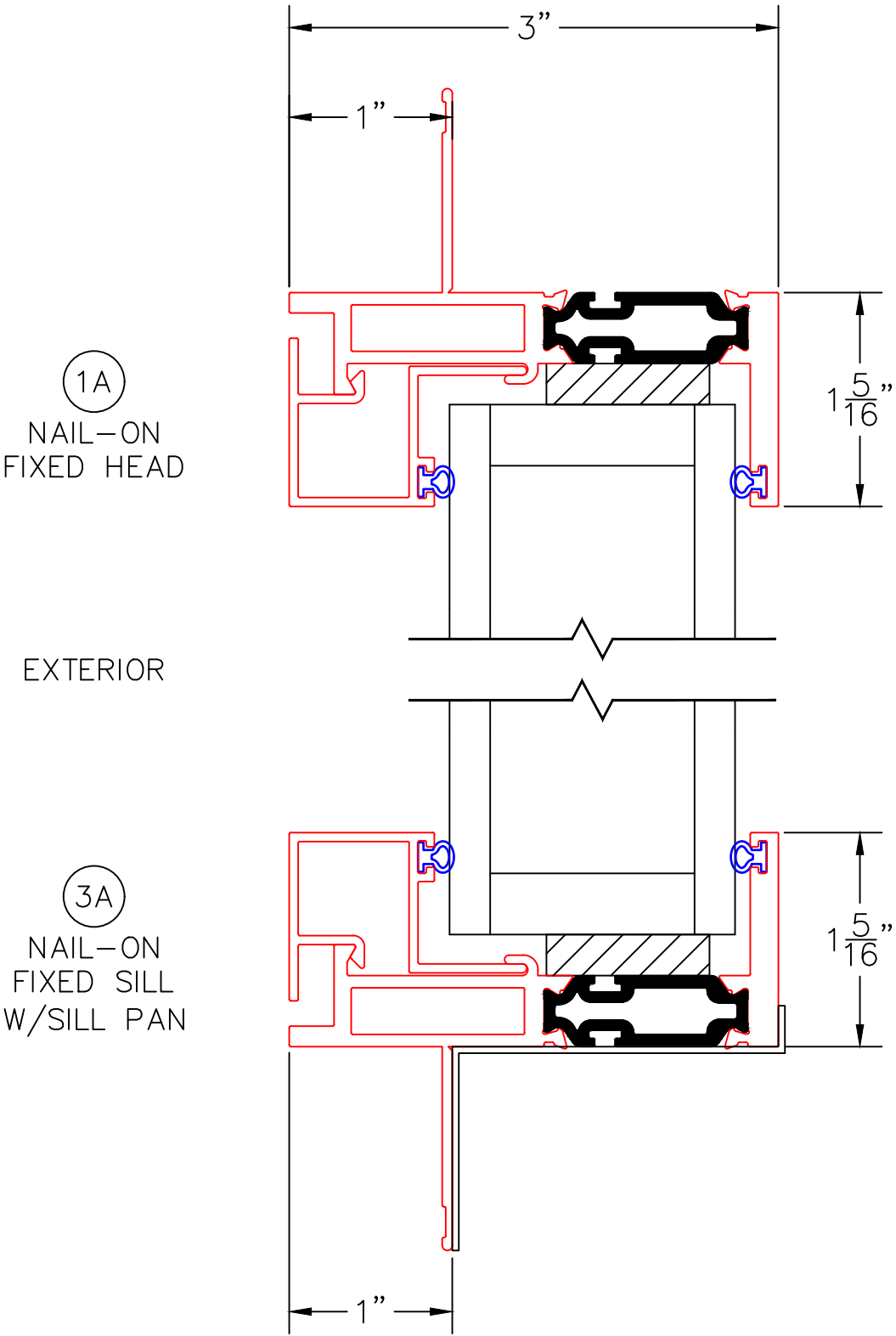
②  
O/O  
TDL BAR

③  
BLOCK  
FIXED SILL  
W/SILL PAN



0 0.5 1  
(USE RULER TO SCALE DIMENSIONS IN INCHES)  
**SCALE: FULL**

GLAZED TO FRAME FIXED UNIT DETAILS  
1-3/4" INSULATED GLAZING SHOWN



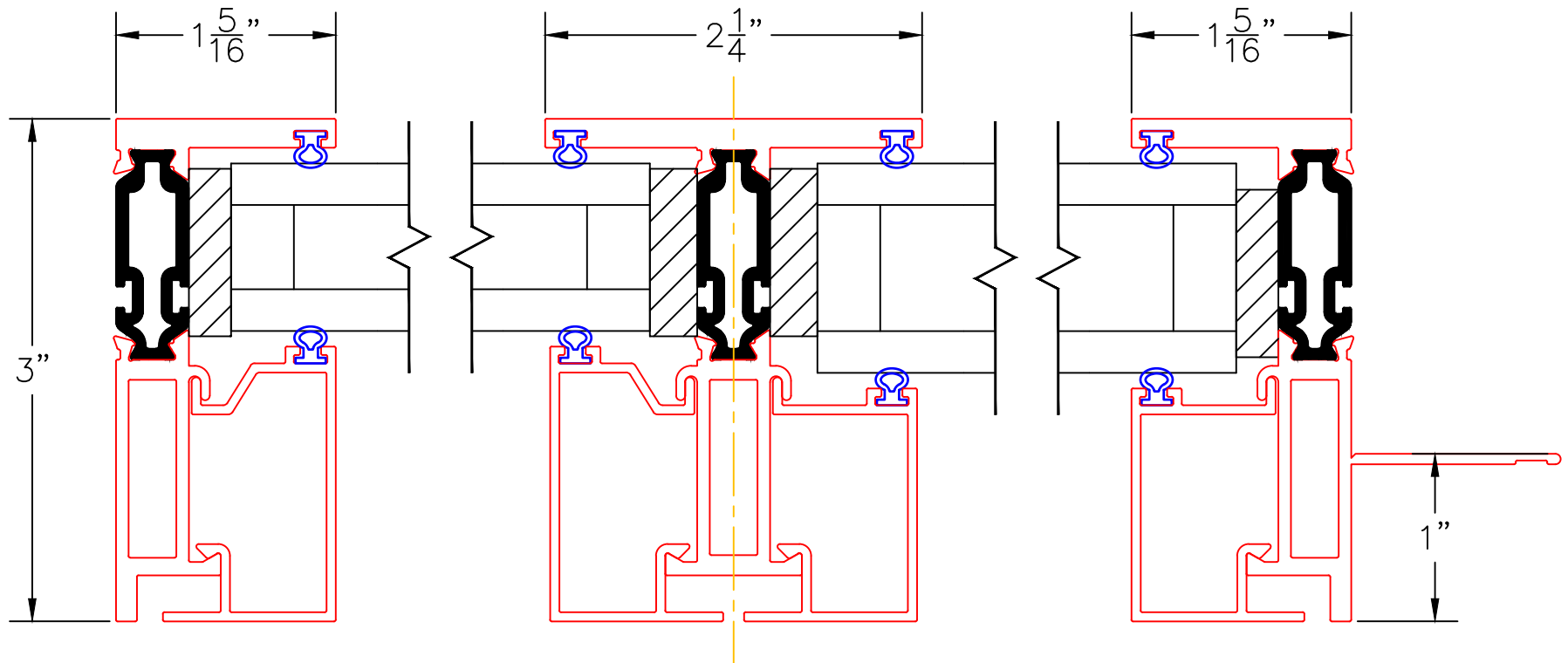
0 0.5 1  
(USE RULER TO SCALE DIMENSIONS IN INCHES)  
**SCALE: FULL**

GLAZED TO FRAME FIXED UNIT DETAILS  
1 & 1-1/4" INSULATED GLAZING SHOWN

④  
BLOCK  
FIXED JAMB

⑤  
OO  
TDL BAR

⑥  
NAIL-ON  
FIXED JAMB



EXTERIOR