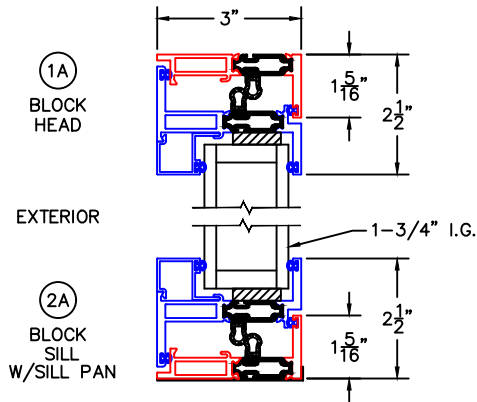
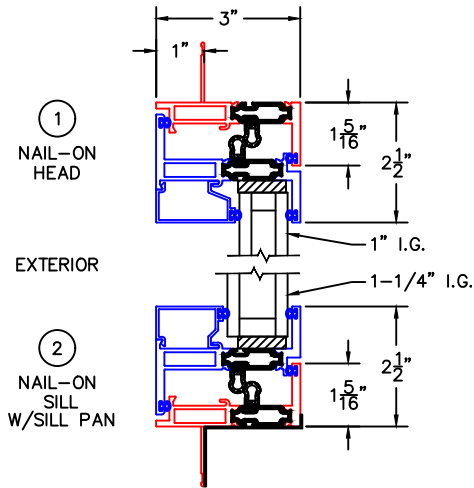


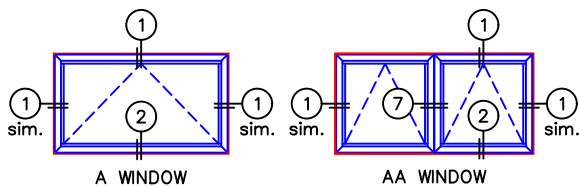
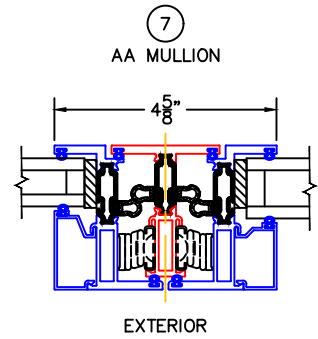
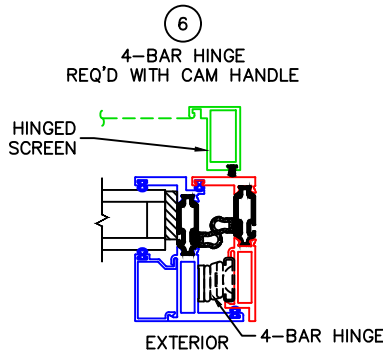
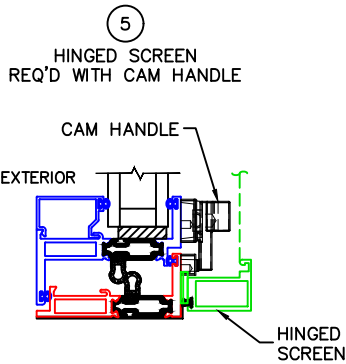
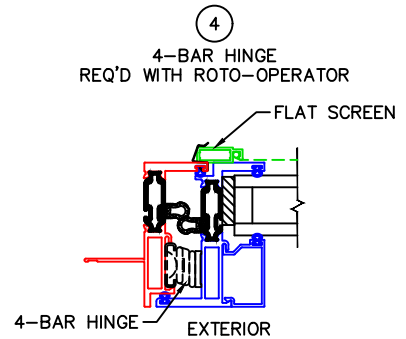
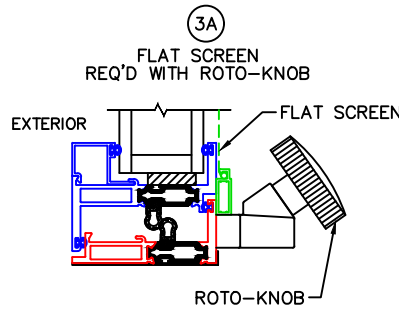
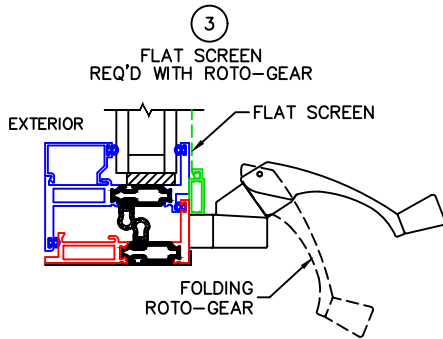
(USE RULER TO SCALE DIMENSIONS IN INCHES)

SCALE: 1/4"

AWNING WINDOW DETAILS
1", 1-1/4" AND 1-3/4" INSULATED
GLAZING AVAILABLE AS SHOWN



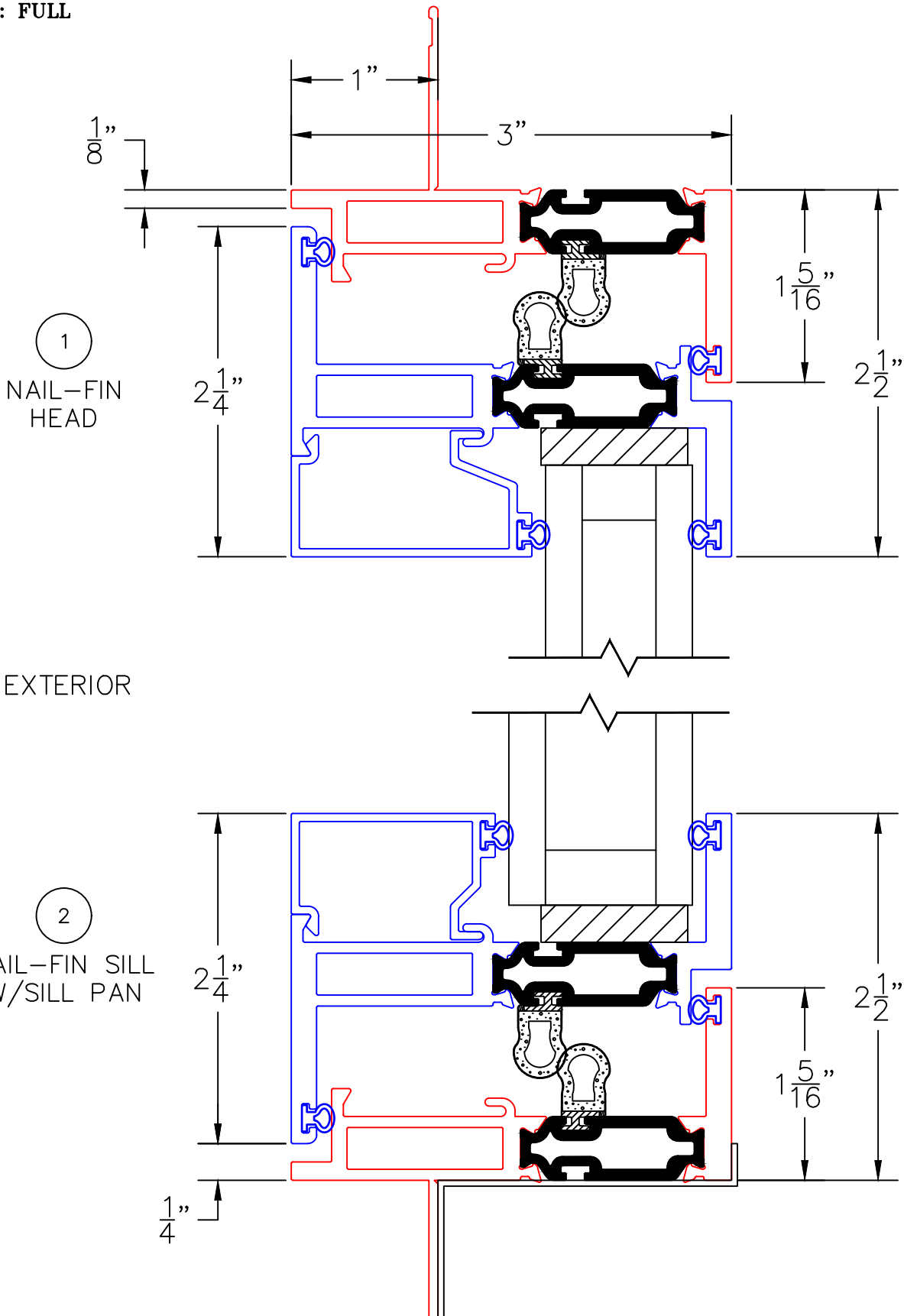
MULLION AND HARDWARE OPTIONS



-GLASS PENETRATION: 5/8"
-EXTERIOR RATED PRODUCTS HAVE WEEP SLOTS ON HORIZONTAL SILLS.

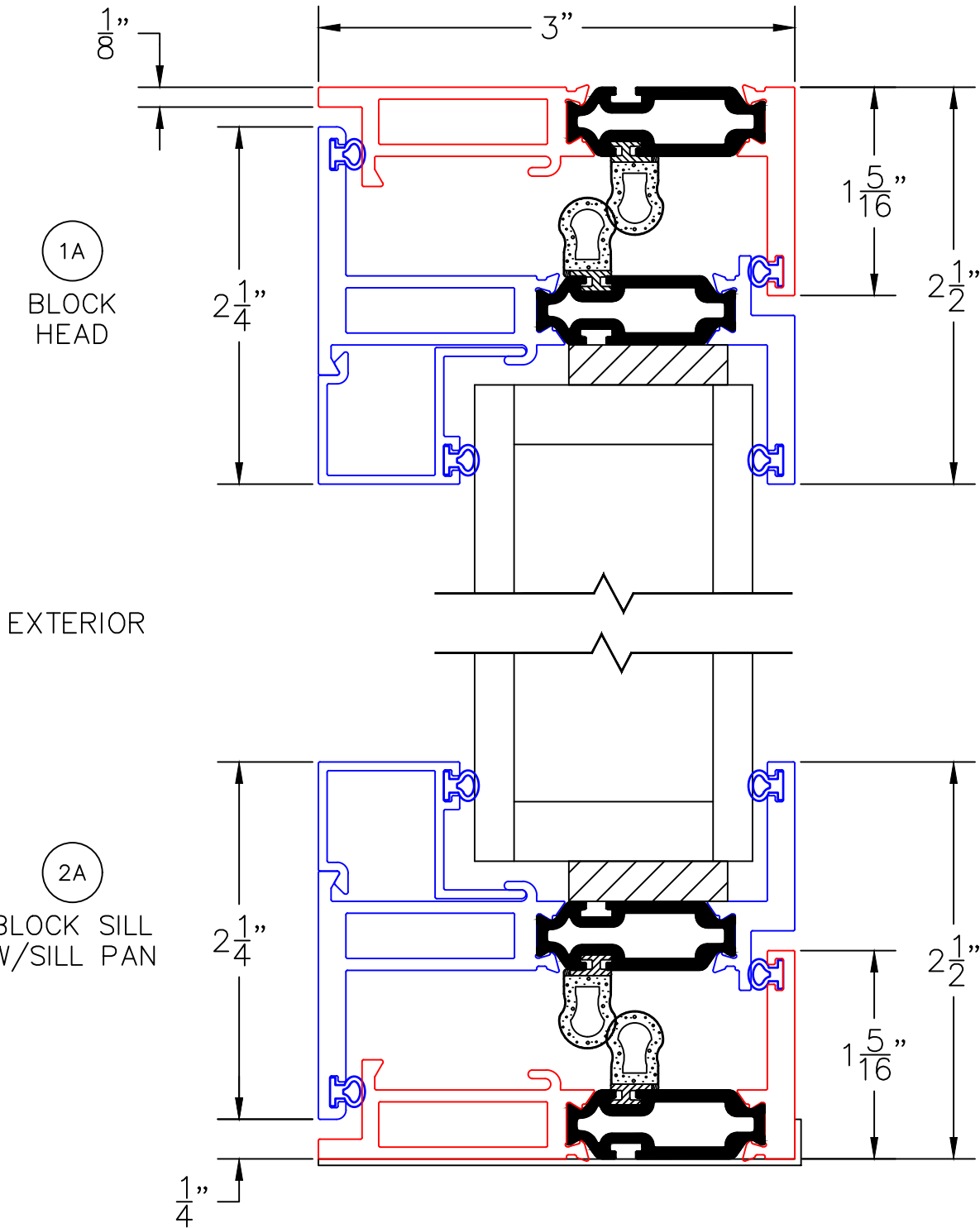
0 0.5 1
(USE RULER TO SCALE DIMENSIONS IN INCHES)
SCALE: FULL

AWNING WINDOW DETAILS
1" & 1-1/4" INSULATED GLAZING SHOWN



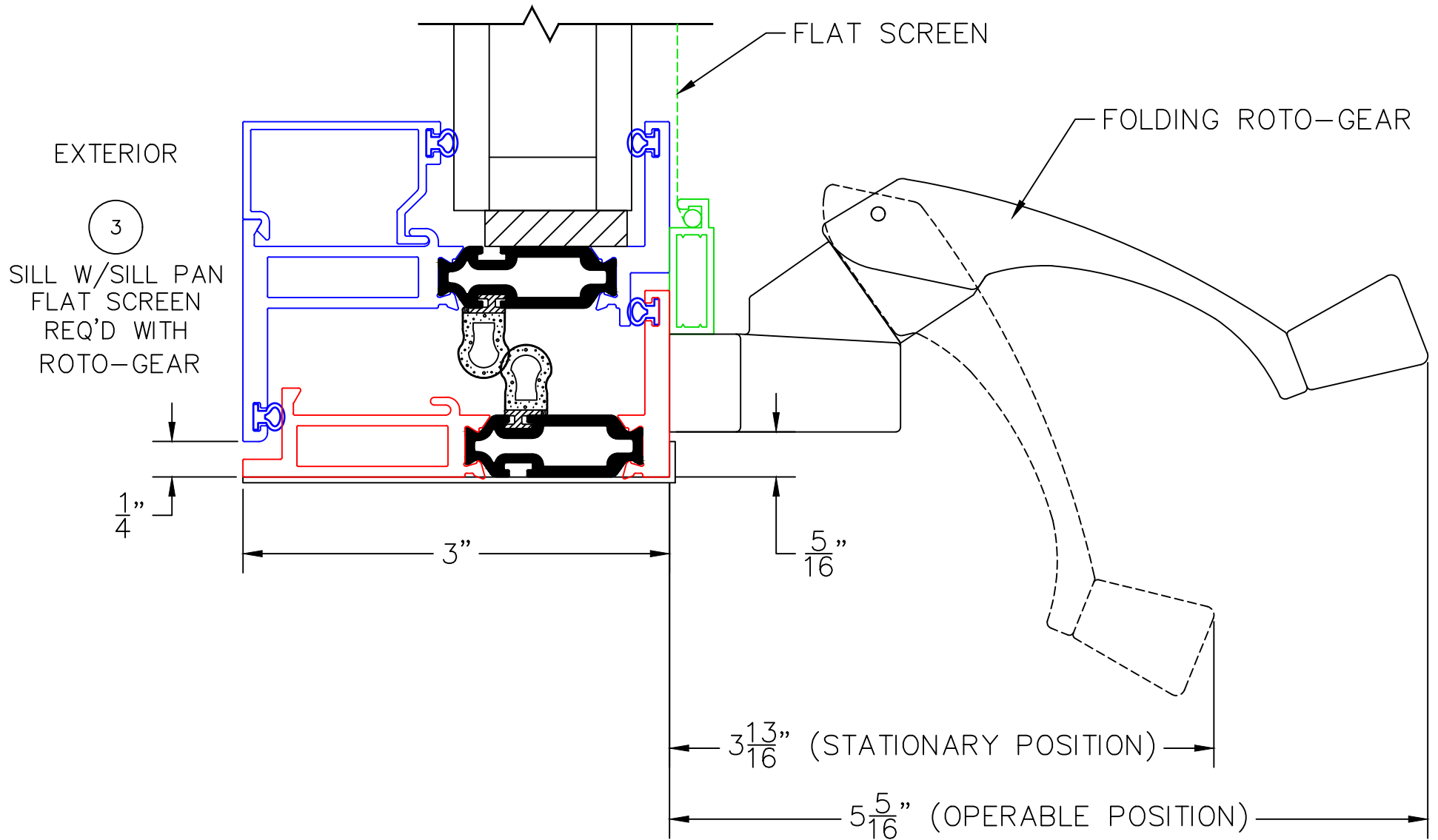
0 0.5 1
(USE RULER TO SCALE DIMENSIONS IN INCHES)
SCALE: FULL

AWNING WINDOW DETAILS
1-3/4" INSULATED GLAZING SHOWN



0 0.5 1
(USE RULER TO SCALE DIMENSIONS IN INCHES)
SCALE: FULL

AWNING WINDOW DETAILS
1-1/4" INSULATED GLAZING SHOWN



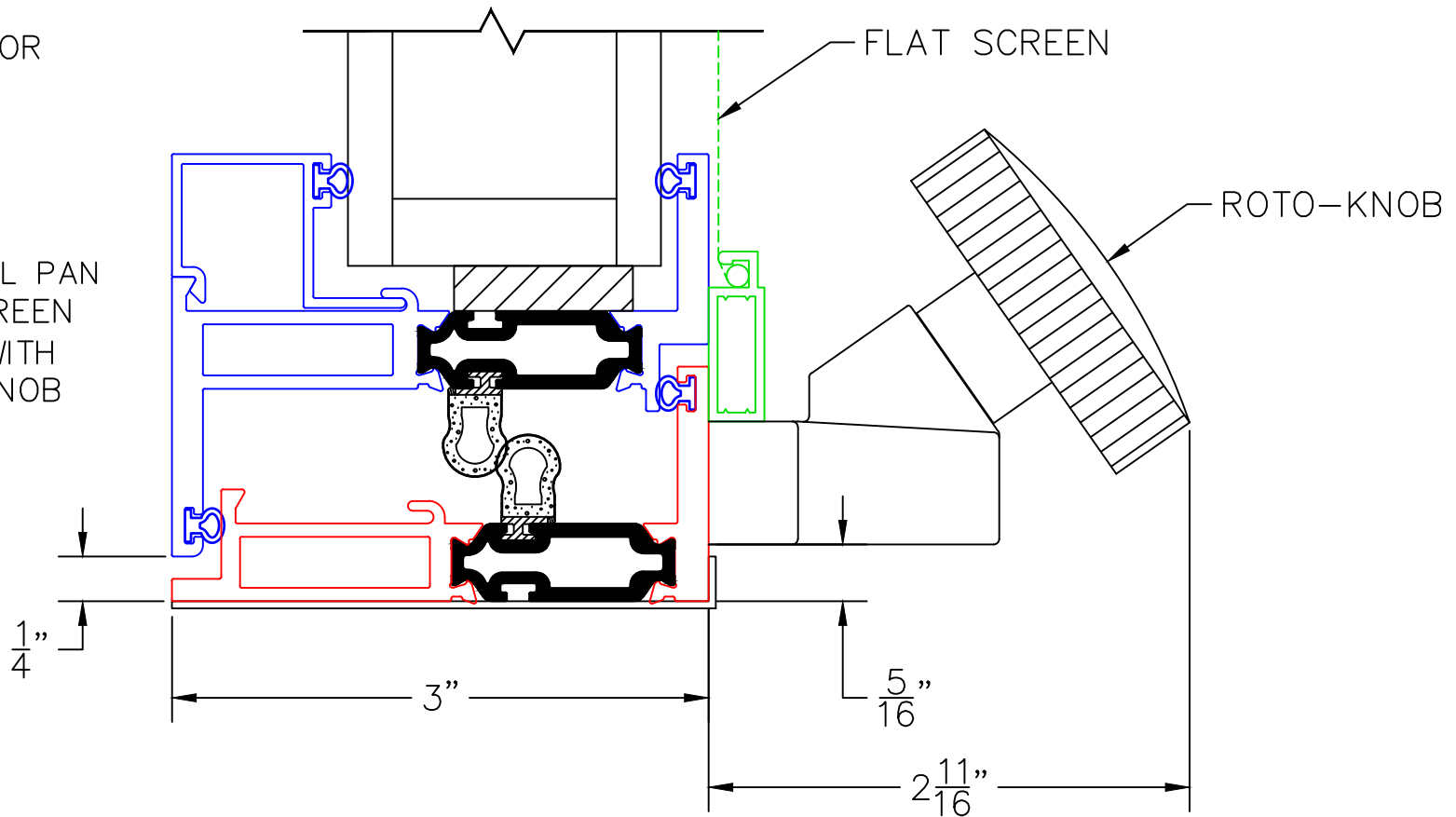
AWNING WINDOW DETAILS
1-3/4" INSULATED GLAZING SHOWN

0 0.5 1
(USE RULER TO SCALE DIMENSIONS IN INCHES)
SCALE: FULL

EXTERIOR

3A

SILL W/SILL PAN
FLAT SCREEN
REQ'D WITH
ROTO-KNOB

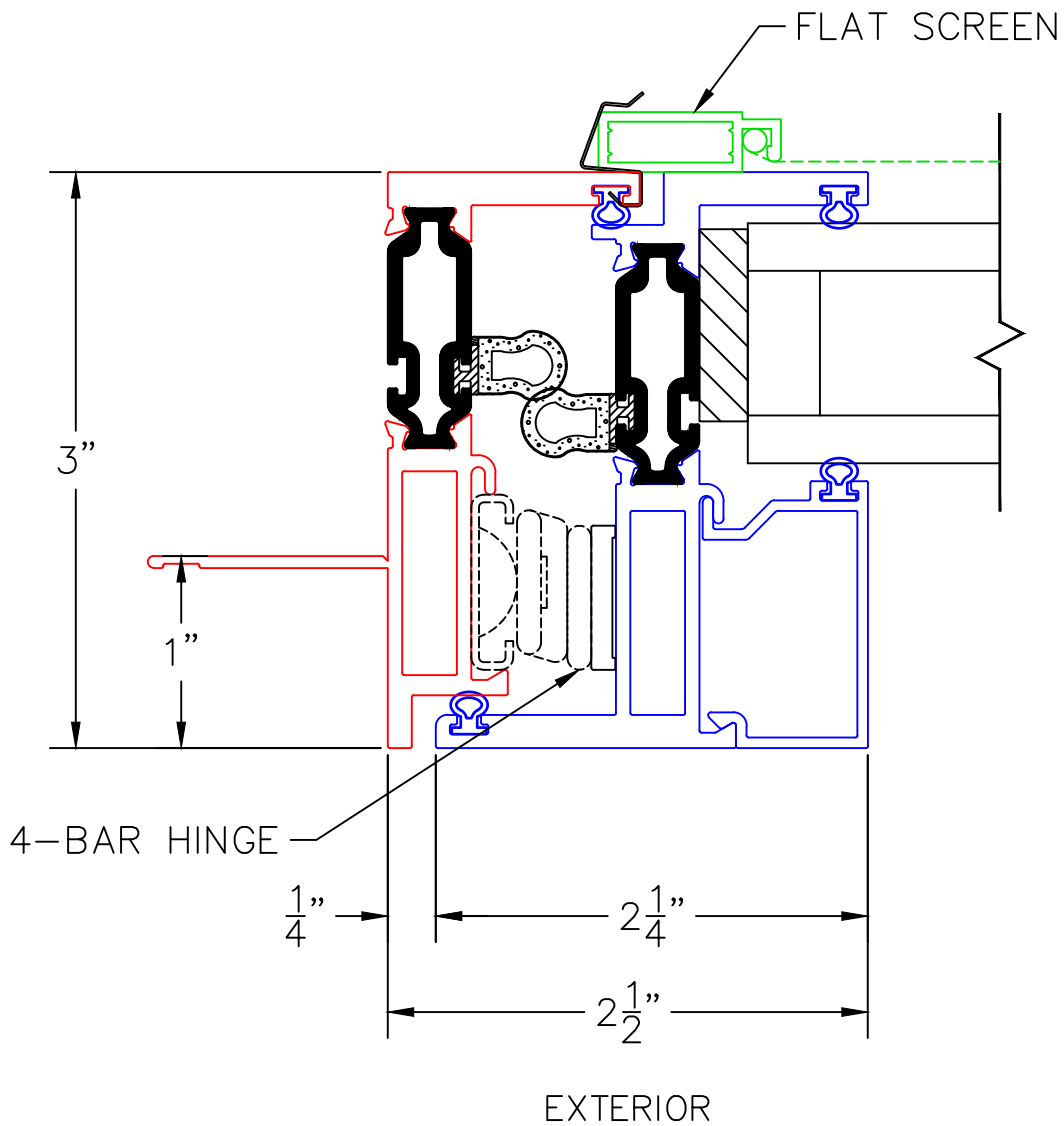


0 0.5 1
(USE RULER TO SCALE DIMENSIONS IN INCHES)
SCALE: FULL

AWNING WINDOW DETAILS
1-1/4" INSULATED GLAZING SHOWN

4

NAIL-FIN JAMB
4-BAR HINGE REQ'D
WITH ROTO-OPERATOR

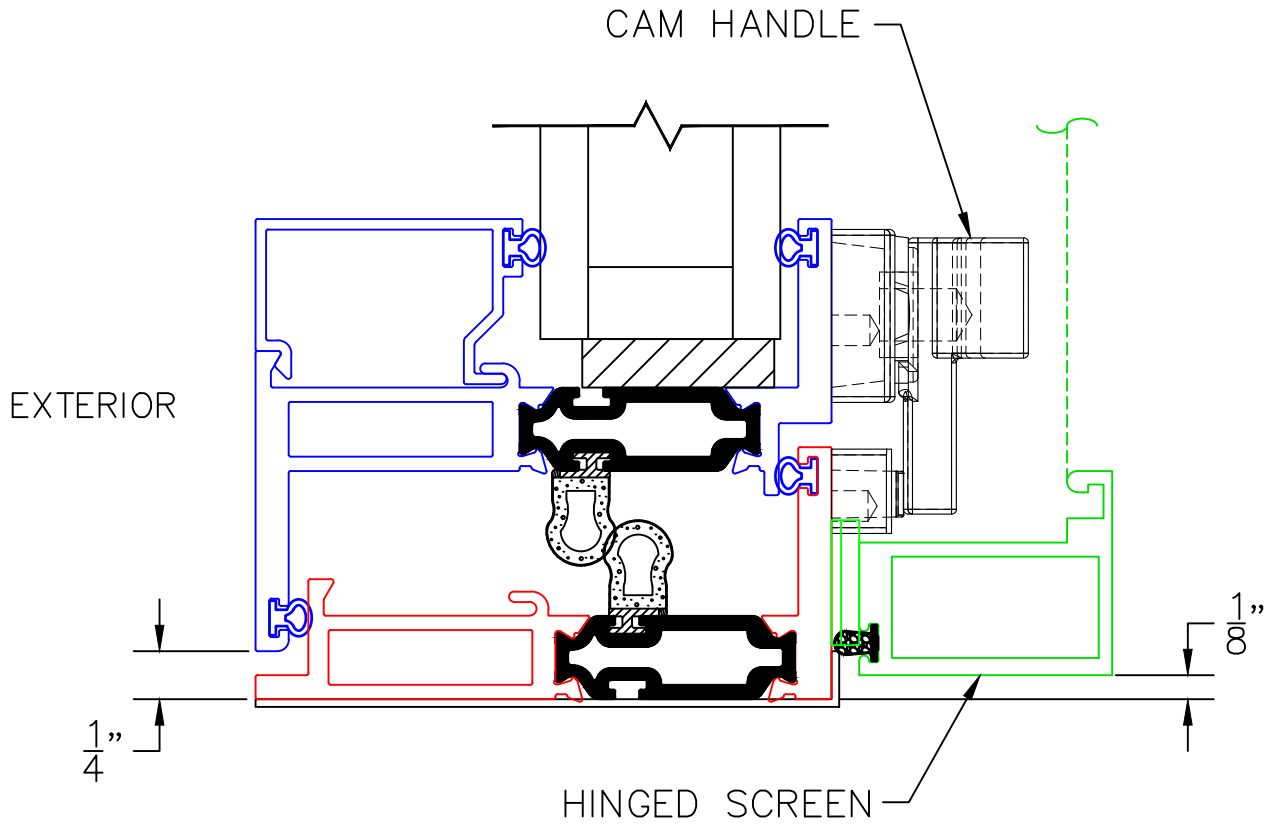


0 0.5 1
(USE RULER TO SCALE DIMENSIONS IN INCHES)
SCALE: FULL

AWNING WINDOW DETAILS
1-1/4" INSULATED GLAZING SHOWN

5

SILL W/SILL PAN
HINGED SCREEN REQ'D
WITH CAM HANDLE

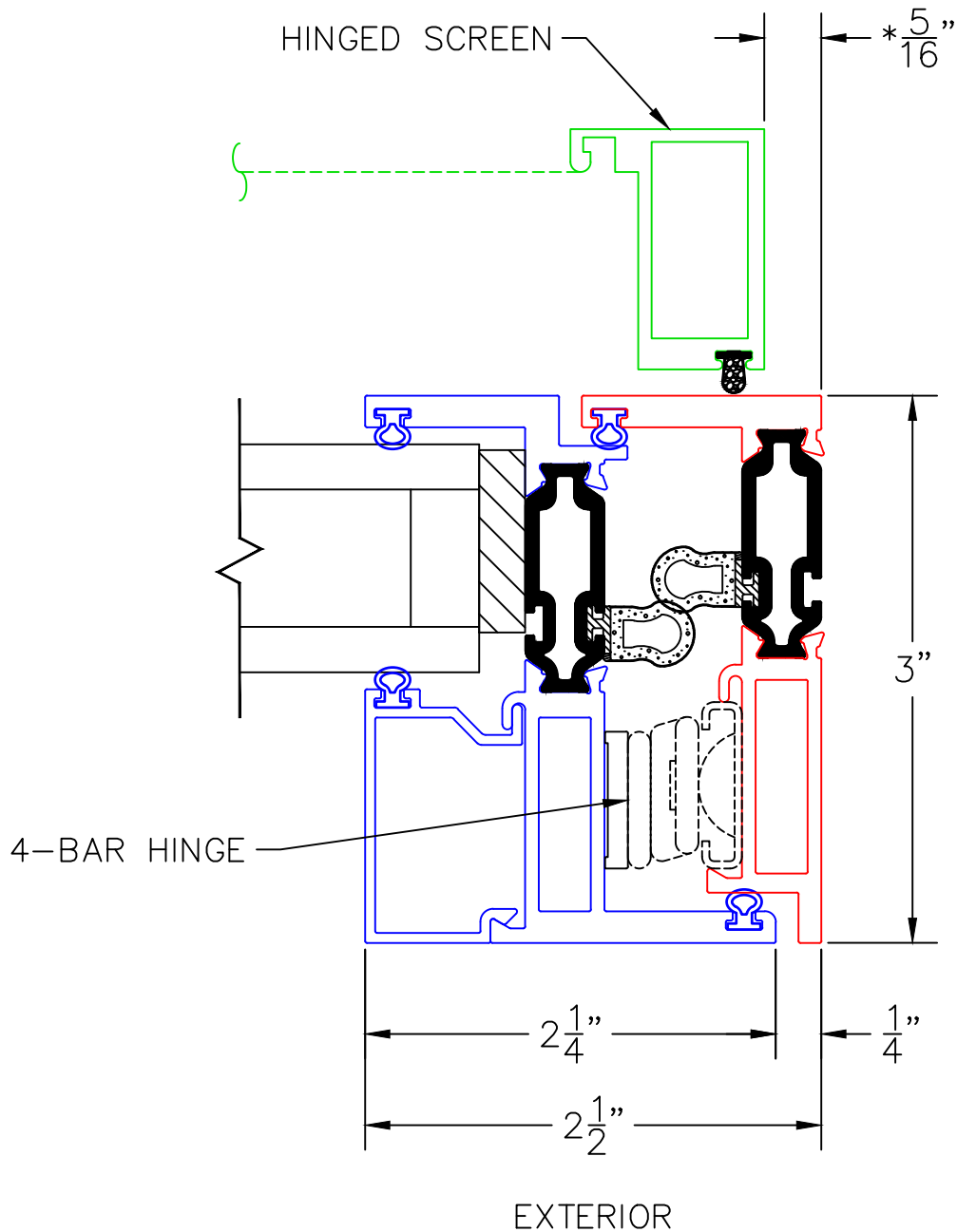


0 0.5 1
(USE RULER TO SCALE DIMENSIONS IN INCHES)
SCALE: FULL

AWNING WINDOW DETAILS
1-1/4" INSULATED GLAZING SHOWN

6

BLOCK JAMB
4-BAR HINGE REQ'D
WITH CAM HANDLE



*NOTE: 1/8" CLEARANCE WITH SINGLE-POINT LOCK AT JAMB

0 0.5 1
(USE RULER TO SCALE DIMENSIONS IN INCHES)
SCALE: FULL

AWNING WINDOW DETAILS
1 & 1-1/4" INSULATED GLAZING SHOWN

7
AA
MULLION

