

# ASSEMBLY / PARTS LIST (B.O.M.)

**Series: 4400-T**  
**Type: H Configuration**

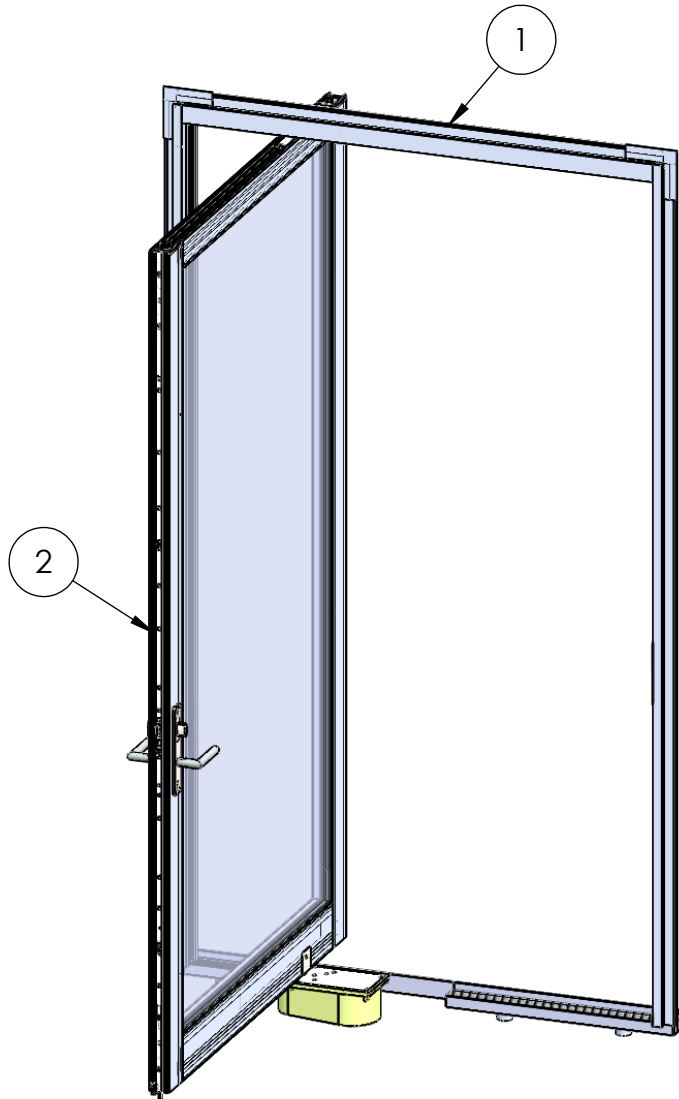
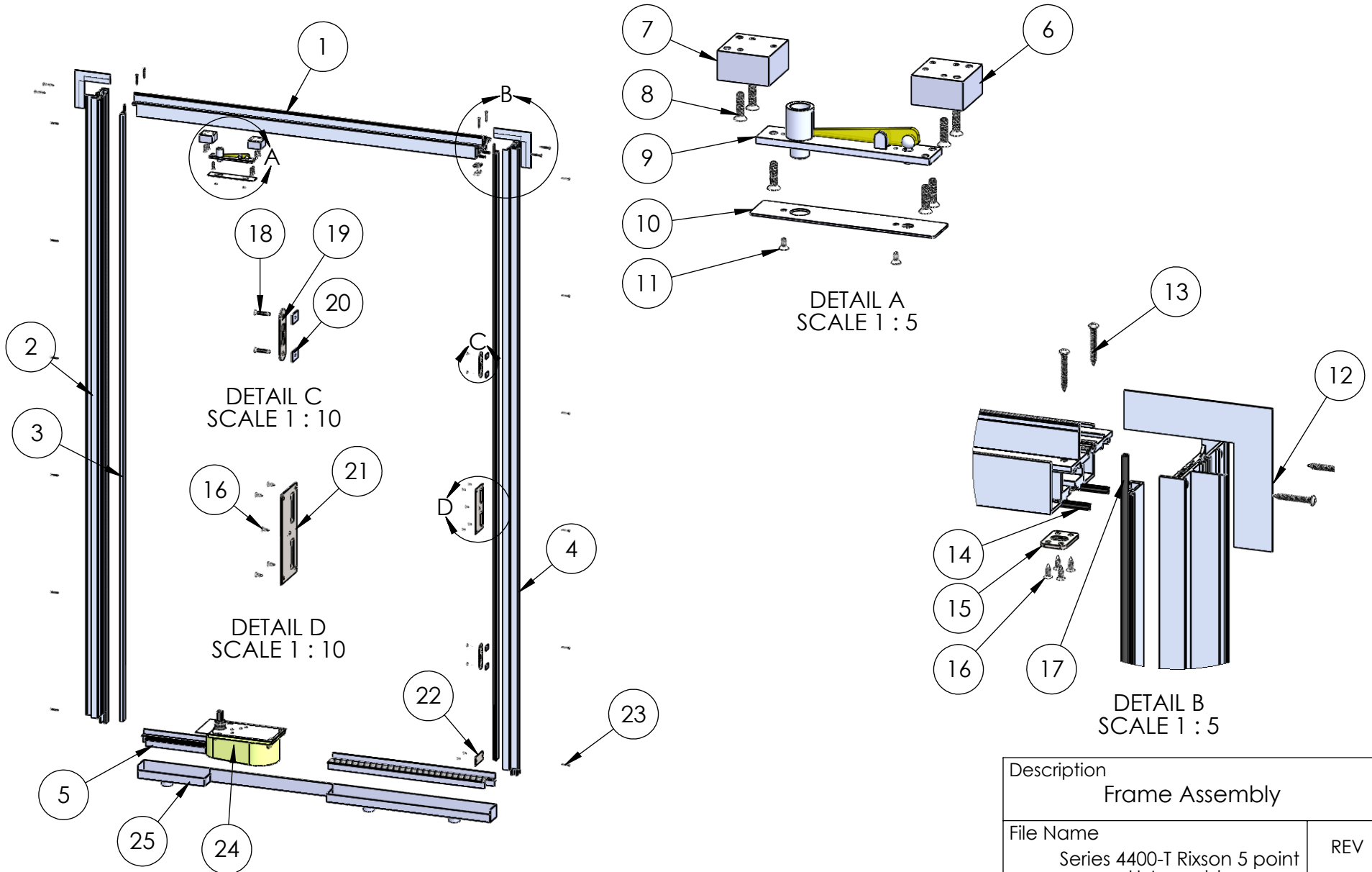


TABLE OF CONTENTS			
ITEM NO.	PART NUMBER	QTY.	PAGE #
1	Frame Assembly	1	2-3
2	Rixson Panel	1	4-5
3	Tables	3	6

Description Table of Contents	
File Name Series 4400-T Rixson 5 point H Assembly	REV
Released 10/21/2019	SHEET 1 OF 6

**PROPRIETARY AND CONFIDENTIAL**  
 THE INFORMATION CONTAINED IN THIS DRAWING IS THE SOLE PROPERTY OF FLEETWOOD WINDOWS & DOORS.  
 ANY REPRODUCTION IN PART OR AS A WHOLE WITHOUT THE WRITTEN PERMISSION OF FLEETWOOD WINDOWS & DOORS IS PROHIBITED.

# ASSEMBLY / PARTS LIST (B.O.M.)



**PROPRIETARY AND CONFIDENTIAL**  
 THE INFORMATION CONTAINED IN THIS DRAWING IS THE SOLE PROPERTY OF FLEETWOOD WINDOWS & DOORS.  
 ANY REPRODUCTION IN PART OR AS A WHOLE WITHOUT THE WRITTEN PERMISSION OF FLEETWOOD WINDOWS & DOORS IS PROHIBITED.

Description	
Frame Assembly	
File Name	REV
Series 4400-T Rixson 5 point H Assembly	
Released	10/21/2019
SHEET 2 OF 6	

# ASSEMBLY / PARTS LIST (B.O.M.)

## Extrusions

ITEM NO.	PART NUMBER	DESCRIPTION	QTY.
1	4401	Head	1
2	4402	Left jamb	1
3	4403	Panel Stops (not on dual swing)	2
4	4402	Right Jamb	1
5	4409	Sill	2

## Hardware

ITEM NO.	PART NUMBER	DESCRIPTION	QTY.
6	26370	Rixson Closer Head Pivot Block 2 of 2	1
7	26324	Head Pivot Block	1
8	26325	.25-20 Torx FH Screw, 1 in.	7
9	See Table A	Head Pivot	1
10	26326	Top Pivot Cover Plate	1
11	24076	#8-32 FH Socket Cap Screw, 3/8",SS	2
12	18629	Nail-Fin Corner (For Nail-Fin Door)	2
13	20353	#10 PHP-A Screw, 1 in.	8

## Hardware

ITEM NO.	PART NUMBER	DESCRIPTION	QTY.
14	25189	Q-Lon Foam Seal, 225×190	2
15	26341	Shoot Bolt Strike Plate	1
16	20240	#8 FHP-A-UC, 1/2", SS, Clear	11
17	26233	Flexible Bulb Vinyl	2
18	25074	No. 10-32 FHP Screw, 1.125"	4
19	25056	Tongue Strike	2
20	18671	Back Up Plate # 10-32 x 0.075 Thk.	4
21	24993	Latch-Deadbolt Strike Plate	1
22	26345	Bottom Weep Strike Plate- One Way	1
22	26346	Bottom Weep Strike Plate- Two Way	1
23	25751	#6 FHP-A, 1.25 in, SS, Clear	VARIES
24	See Table A	Floor Closer	1
25	-	Sub-Sillpan	1

Description

Frame B.O.M.

File Name

Series 4400-T Rixson 5 point  
H Assembly

REV

Released

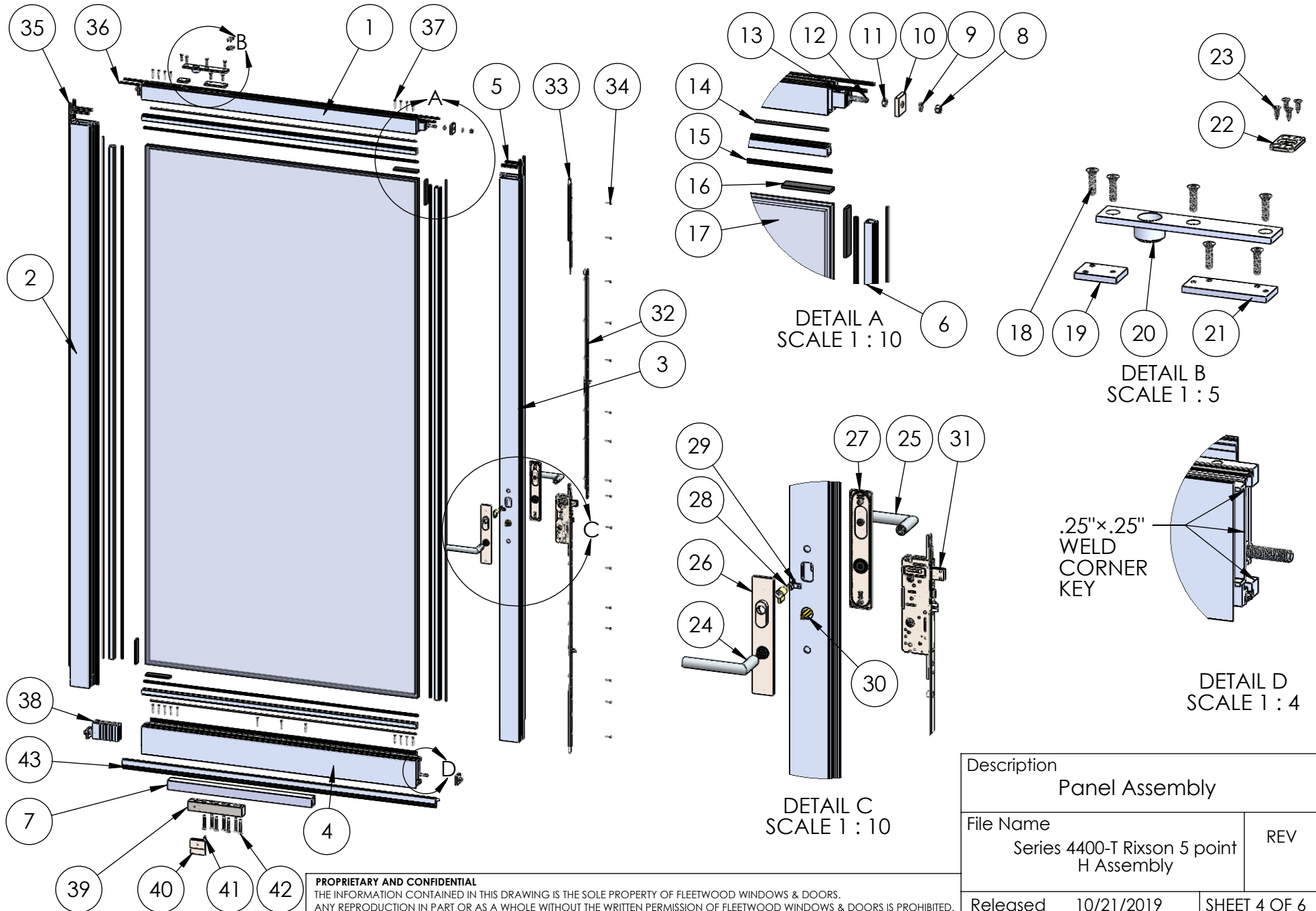
10/21/2019

SHEET 3 OF 6

**PROPRIETARY AND CONFIDENTIAL**

THE INFORMATION CONTAINED IN THIS DRAWING IS THE SOLE PROPERTY OF FLEETWOOD WINDOWS & DOORS.  
ANY REPRODUCTION IN PART OR AS A WHOLE WITHOUT THE WRITTEN PERMISSION OF FLEETWOOD WINDOWS & DOORS IS PROHIBITED.

# ASSEMBLY / PARTS LIST (B.O.M.)



**PROPRIETARY AND CONFIDENTIAL**  
 THE INFORMATION CONTAINED IN THIS DRAWING IS THE SOLE PROPERTY OF FLEETWOOD WINDOWS & DOORS.  
 ANY REPRODUCTION IN PART OR AS A WHOLE WITHOUT THE WRITTEN PERMISSION OF FLEETWOOD WINDOWS & DOORS IS PROHIBITED.

Description		Panel Assembly	
File Name		Series 4400-T Rixson 5 point H Assembly	REV
Released	10/21/2019	SHEET 4 OF 6	



# ASSEMBLY / PARTS LIST (B.O.M.)

Extrusions			
ITEM NO.	PART NUMBER	DESCRIPTION	QTY.
1	4404	Top Rail	1
2	4408	Pivot Stile	1
3	4407	Multipoint Stile	1
4	4405	Bottom Rail	1
5	3916	Seal Clips (3")	4
6	3907	1" Glass Stop (Shown)	4
7	FW-1214	1.5"×1.5"×.188" Tube, 24 in.	1
Hardware			
ITEM NO.	PART NUMBER	DESCRIPTION	QTY.
8	25023	.375-16 Stainless Steel Hex Nut	4
9	25024	.375 Split Lock Washer	4
10	25025	Back up Plate for Panel	4
11	25176	.375-16 Hex Nut, .5625 Wt, .218 Ht	4
12	25203	.375-16 Hex Head Screw, 2.0", Fully Threaded	4
13	25571	Corner Block, 1.25 in.	2
14	25199	Mini Bulb Vinyl	4
15	25031	Large Bulb Vinyl	4
16	18620	Setting Block 4" x 1/4"x1"	8
17	-	Glass	1
18	26325	.25-20 Torx FH Screw, 1 in.	6
19	26328	Top Rail Plate 1 of 2	1
20	24867	Top Pivot Panel Portion	1
21	26329	Top Rail Plate 2 of 2	1
22	26341	Shoot Bolt Strike Plate	1

Hardware			
ITEM NO.	PART NUMBER	DESCRIPTION	QTY.
23	20240	#8 FHP-A-UC, 1/2", SS, Clear	4
24	26190	FSB_1076 Lever LH	1
25	26189	FSB_1076 Lever RH	1
26	26204, 26207	Escutcheon plate w/ Cylinder Collar (S.S., Black))	1
27	26205, 26208	Escutcheon plate w/ Thumbturn (S.S., Black)	1
28	25063	Rim Cylinder	1
29	25187	L-Clip	1
30	23203	Spindle	1
31	25039	Active Lower Gear Assembly	1
32	See Table B	Upper Bar Assembly	1
33	25054	Shoot bolt	1
34	20247	No. 8, FHP Screw, 1 in.	See Table B
35	19115	Large Fin Seal Mohair (31027045BKWP)	4
36	25189	Q-Lon Foam Seal, 225×190	2
37	20252	#8 FHP Screw, 1.50 in.	20
38	26303	Corner Block, 2.625 in.	2
39	24859	Rixson 587 Side Load Arm Assembly Set	1
40	26337	Rixson Load Arm Cover	1
41	26414	#8-32 FH Torx Screw, 0.5 in.	1
42	26331	.3125-18 FHP Screw , 2.250 in.	7
43	See Table C	Sweep	1

Description <b>Panel B.O.M.</b>	
File Name Series 4400-T Rixson 5 point H Assembly	REV
Released 10/21/2019	SHEET 5 OF 6

**PROPRIETARY AND CONFIDENTIAL**  
 THE INFORMATION CONTAINED IN THIS DRAWING IS THE SOLE PROPERTY OF FLEETWOOD WINDOWS & DOORS.  
 ANY REPRODUCTION IN PART OR AS A WHOLE WITHOUT THE WRITTEN PERMISSION OF FLEETWOOD WINDOWS & DOORS IS PROHIBITED.

# ASSEMBLY / PARTS LIST (B.O.M.)

TABLE A: Rixson Floor Closer Options

Pivot Location	Swing	Degrees	ID
Left	Inswing	105	25625
		90	25626
	Outswing	105	25627
		90	25628
Right	Inswing	105	25627
		90	25628
	Outswing	105	25625
		90	25626
Any	Dual	105	25629
		90	25631
Any	Any	360	24853

Table B: Active Upper Bar Assembly Height

Panel Height	Component Number	Screw/QTY.
71"-79"	25040	12
73"-81"	25041	12
81"-89"	25042	13
89"-97"	25043	14
97"-105"	25044	15
105"-113"	25045	16
113"-121"	25046, 25043	19
121"-129"	25046, 25044	20
129"-135"	25046, 25045	21

TABLE C: Sweep Size

Panel Width	ID
>32.9"	26381
>37.8"	26380
>42.7"	26379
>47.6"	26378
>52.6"	26377
>57.5"	26311
>62.1"	26047
>66.7"	26374
>71.7"	26375
>76.4"	26387
>81.1"	26388
>85.75"	26389
>90.6"	26450
MAX SINGLE CLOSER LENGTH IS 94"	

Description

Tables

File Name

Series 4400-T Rixson 5 point  
H Assembly

REV

Released

10/21/2019

SHEET 6 OF 6

**PROPRIETARY AND CONFIDENTIAL**

THE INFORMATION CONTAINED IN THIS DRAWING IS THE SOLE PROPERTY OF FLEETWOOD WINDOWS & DOORS.

ANY REPRODUCTION IN PART OR AS A WHOLE WITHOUT THE WRITTEN PERMISSION OF FLEETWOOD WINDOWS & DOORS IS PROHIBITED.