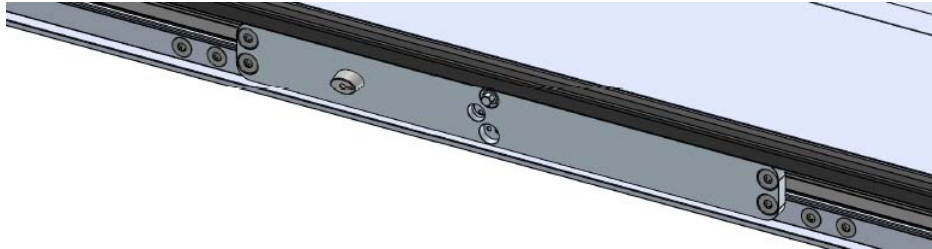
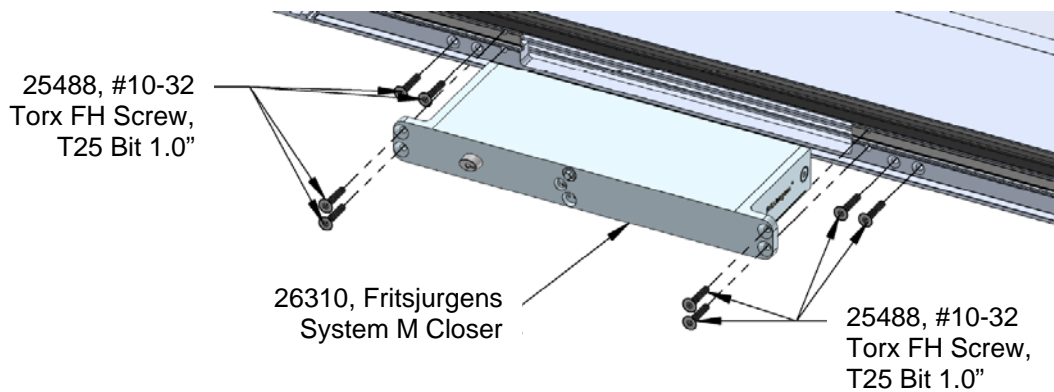


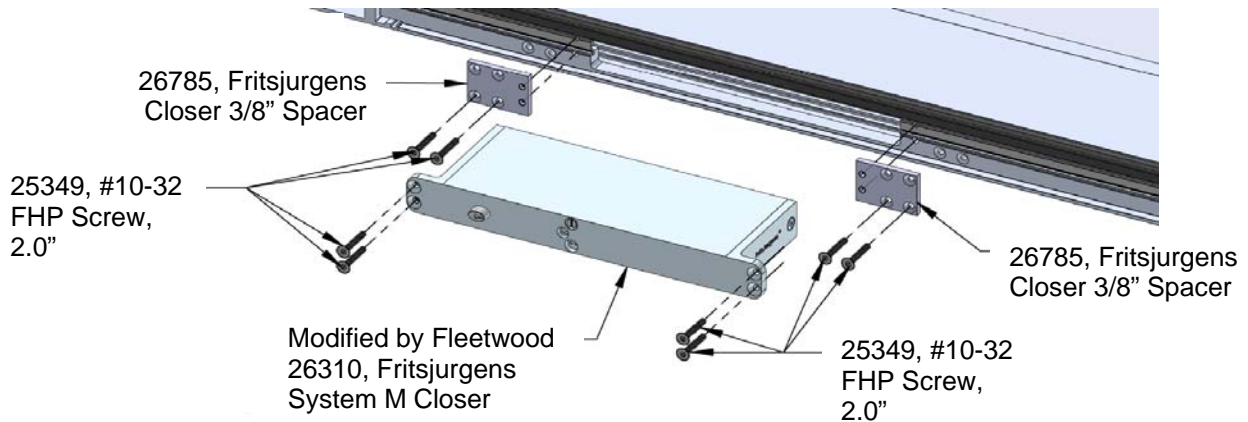
1. Place panel into horizontal position (to access closer). Protect all finished surfaces.



2. Remove (8) screws and closer. Keep back-up plate in bottom rail.



3. Attach spacer #26785 to back-up plate in bottom rail with (4) screws. Insert closer and attach through spacer into back-up plate with (4) screws.



4. Review Section X of Installation Instructions for proper closer orientation.

