

ASSEMBLY / PARTS LIST (B.O.M.)

Series: 4400-T
Type: H Configuration

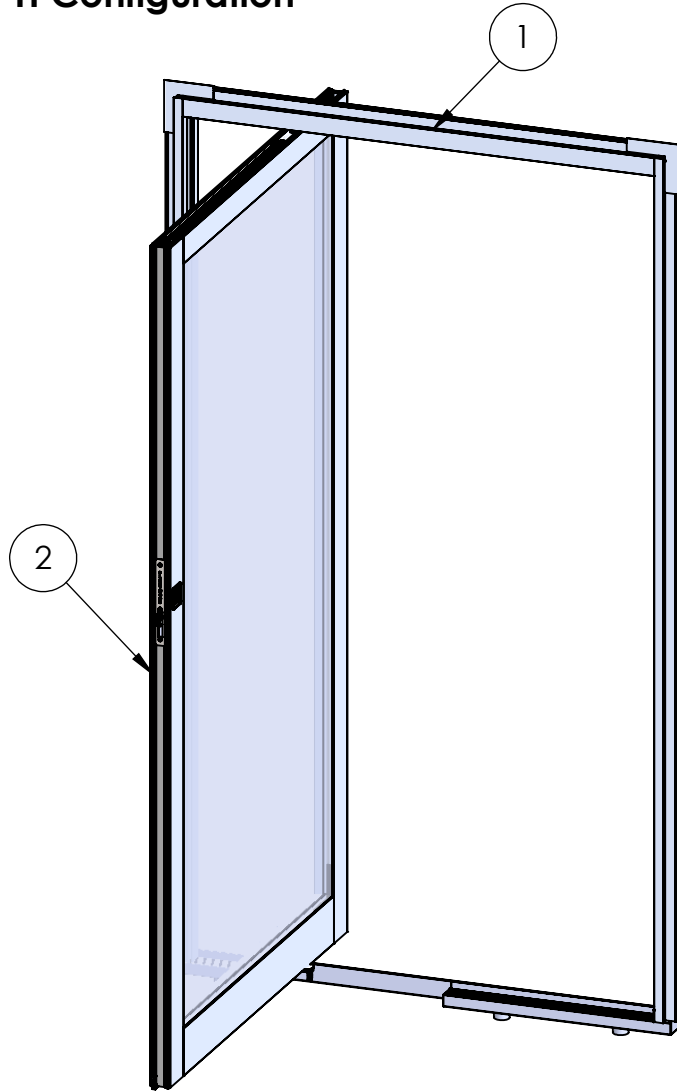
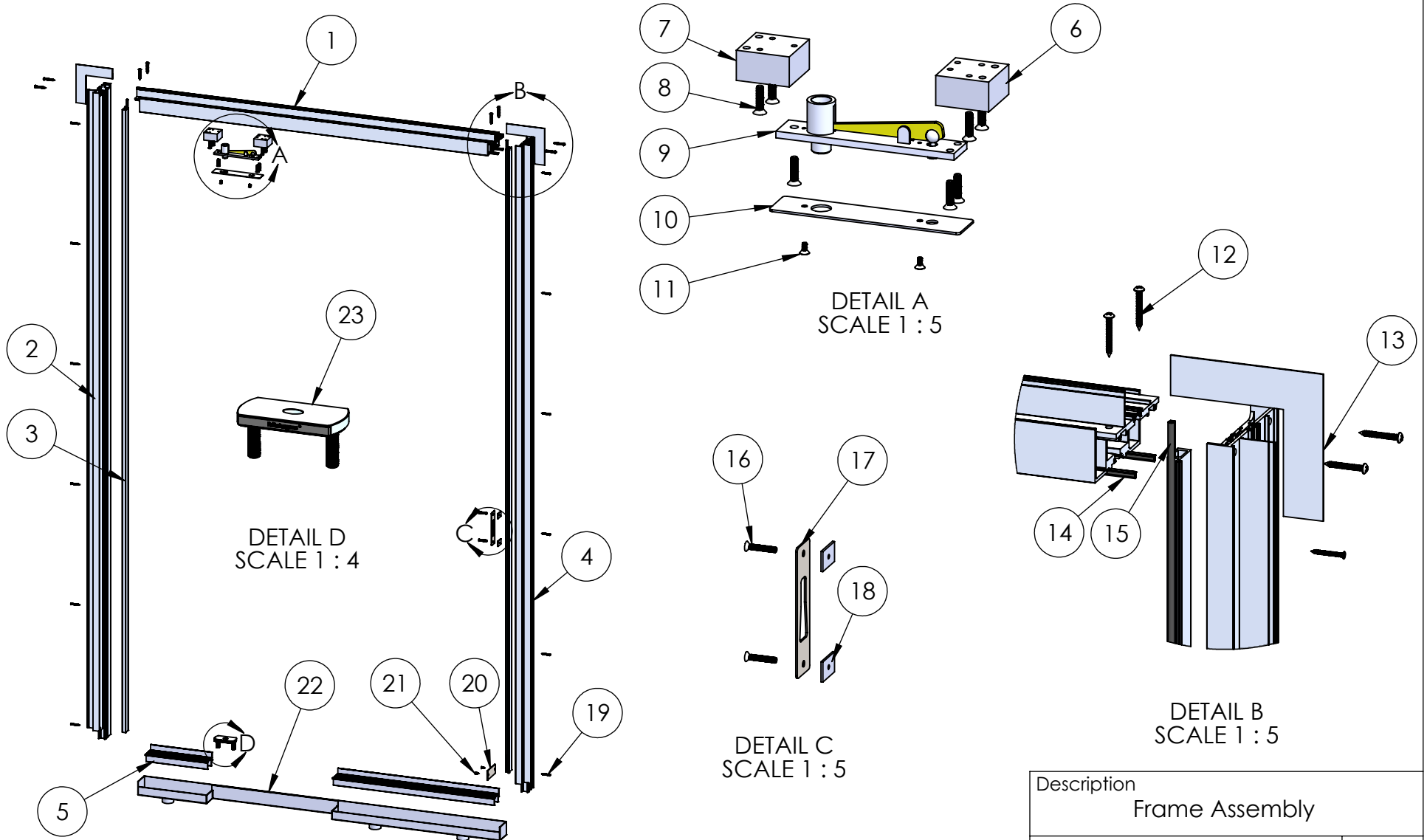


TABLE OF CONTENTS			
ITEM NO.	DESCRIPTION	QTY.	PAGE #
1	Frame Assembly	1	2-3
2	Fritsjurgens Panel	1	4-5
3	Tables	2	6

Description Table of Contents	
File Name Series 4400-T Fritsjurgens Archetype H Assembly	REV
Released 12/2/2019	SHEET 1 OF 6

ASSEMBLY / PARTS LIST (B.O.M.)



PROPRIETARY AND CONFIDENTIAL
 THE INFORMATION CONTAINED IN THIS DRAWING IS THE SOLE PROPERTY OF FLEETWOOD WINDOWS & DOORS.
 ANY REPRODUCTION IN PART OR AS A WHOLE WITHOUT THE WRITTEN PERMISSION OF FLEETWOOD WINDOWS & DOORS IS PROHIBITED.

Description Frame Assembly	
File Name Series 4400-T Fritsjurgens Archetype H Assembly	REV
Released 12/2/2019	SHEET 2 OF 6

ASSEMBLY / PARTS LIST (B.O.M.)

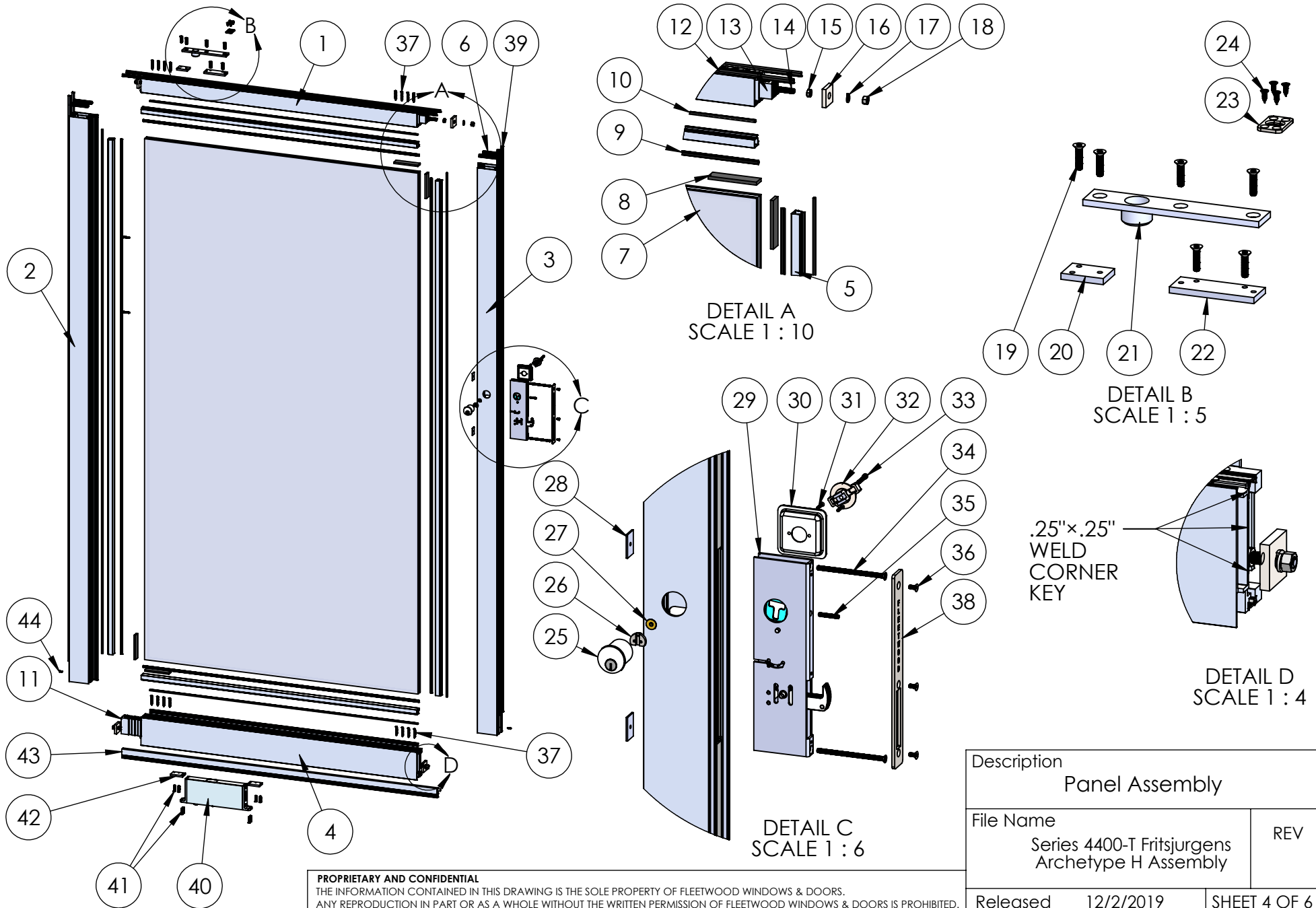
Extrusions			
ITEM NO.	PART NUMBER	DESCRIPTION	QTY.
1	4401	Head	1
2	4402	Pivot Jamb	1
3	4403	Panel Stops (not on dual swing)	2
4	4402	Strike Jamb	1
5	4409	Sill	2

Hardware			
ITEM NO.	PART NUMBER	DESCRIPTION	QTY.
6	26370	Rixson Closer Head Pivot Block 2	1
7	26324	Head Pivot Block	1
8	26325	.25-20 Torx FH Screw, 1 in.	7
9	26390	Head Pivot	1
10	26326	Top Pivot Cover Plate	1
11	24076	#8-32 FH Socket Cap Screw, 3/8",SS	2
12	20353	#10 PHP-A Screw, 1 in.	8
13	18629	Nail-Fin Corner (For Nail-Fin Door)	2
14	25189	Q-Lon Foam Seal, 225×190	2
15	26233	Flexible Bulb Vinyl	2

Hardware			
ITEM NO.	PART NUMBER	DESCRIPTION	QTY.
16	25074	No. 10-32 FHP Screw, 1.125"	2
17	26327	Archetype Latch Strike Plate	1
18	18671	Back Up Plate # 10-32 x 0.075 Thk.	2
19	25751	#6 FHP-A, 1.25 in, SS, Clear	Varies
20	26345	Bottom Weep Strike Plate- One Way	1
20	26346	Bottom Weep Strike Plate- Two Way	1
21	20240	#8 FHP-A-UC, 1/2", SS, Clear	2
22	-	Sub-Sillpan	1
23	26310	Fritsjurgens Floor Plate	1

Description Frame B.O.M.	
File Name Series 4400-T Fritsjurgens Archetype H Assembly	REV
Released 12/2/2019	SHEET 3 OF 6

ASSEMBLY / PARTS LIST (B.O.M.)



PROPRIETARY AND CONFIDENTIAL
THE INFORMATION CONTAINED IN THIS DRAWING IS THE SOLE PROPERTY OF FLEETWOOD WINDOWS & DOORS.
ANY REPRODUCTION IN PART OR AS A WHOLE WITHOUT THE WRITTEN PERMISSION OF FLEETWOOD WINDOWS & DOORS IS PROHIBITED.

Description	
Panel Assembly	
File Name	REV
Series 4400-T Fritsjurgens Archetype H Assembly	
Released	12/2/2019
SHEET 4 OF 6	

ASSEMBLY / PARTS LIST (B.O.M.)

Extrusions			
ITEM NO.	PART NUMBER	DESCRIPTION	QTY.
1	4404	Top Rail	1
2	4408	Pivot Stile	1
3	4408	Lock Stile	1
4	4405	Bottom Rail	1
5	3907	1" Glass Stop (Shown)	4
6	3916	Seal Clips (3")	4
Hardware			
ITEM NO.	PART NUMBER	DESCRIPTION	QTY.
7	-	Glass	1
8	18620	Setting Block 4" x 1/4"x1"	8
9	25031	Large Bulb Vinyl	2
10	25199	Mini Bulb Vinyl	2
11	26303	Corner Block, 2.625 in.	2
12	25058	Q-Lon Foam Seal (at Head)	2
13	25571	Corner Block, 1.25 in.	2
14	25203	Hex Head Cap Screw .375-16, 2.0",	4
15	25176	.375-16 Hex Nut, .5625 Wt, .218 Ht	4
16	25025	Back up Plate for Panel	4
17	25024	.375 Split Lock Washer	4
18	25023	.375-16 Stainless Steel Hex Nut	4
19	26325	.25-20 Torx FH Screw, 1 in.	6
20	26328	Top Rail Plate 1	1
21	26390	Top Pivot Panel Portion	1
22	26329	Top Rail Plate 2	1
23	26341	Shoot Bolt Strike Plate	1

Hardware			
ITEM NO.	PART NUMBER	DESCRIPTION	QTY.
24	20240	#8 FHP-A-UC, 1/2", SS, Clear	4
25	See Table A	Key Cylinder Set	1
26	24780	Cam	1
27	24781	Archetype Key Cylinder Bushing	1
28	18671	Back Up Plate # 10-32 x 0.075 Thk.	2
29	See Table B	Archetype Latch	1
30	See Table B	Archetype Actuator Pocket	1
31	26376	#4-40 FHP Screw, .5625 in.	2
32	See Table B	Archetype Actuator	1
33	See Table B	#6-32 Socket Head Cap Screw	1
34	25560	#10-32 FHP-B Screw, 3.375 in.	2
35	24935	#8-32 Set Screw, 1 in.	1
36	24076	#8-32 FH Socket Cap Screw, 3/8",SS	3
37	20252	#8 FHP Screw, 1.50 in.	16
38	24075	Archetype Latch Faceplate	1
39	19115	Fin Seal Mohair (31027045BKWP)	4
40	26310	Bottom Pivot Fritsjurgens	1
41	25488	#10-32 Torx Flat Head Screw, 1 in.	8
42	26330	Fritsjurgens Bottom Plate	2
43	See Table C	Sweep	1
44	20887	#6 FHP-A-UC Screw, 0.5 in. (SS)	2
48	25174	#8-32 FHP Screw, 0.875 in.	2

Description	
Panel B.O.M.	
File Name	REV
Series 4400-T Fritsjurgens Archetype H Assembly	
Released 12/2/2019	SHEET 5 OF 6

PROPRIETARY AND CONFIDENTIAL

THE INFORMATION CONTAINED IN THIS DRAWING IS THE SOLE PROPERTY OF FLEETWOOD WINDOWS & DOORS.
ANY REPRODUCTION IN PART OR AS A WHOLE WITHOUT THE WRITTEN PERMISSION OF FLEETWOOD WINDOWS & DOORS IS PROHIBITED.

ASSEMBLY / PARTS LIST (B.O.M.)

TABLE A: Key Cylinder Options

Keyed	Color	ID
Alike	Black	25771
	Stainless	25773
Different	Black	25772
	Stainless	25774

TABLE B: Actuator Options

Pivot Location	Latch ID	Color	Pocket ID	Thumbturn ID	Screw ID
Left	24070	Black	24080	24079	25328
		Stainless	24765	24766	25329
Right	24077	Black	24081	24079	25328
		Stainless	24767	24766	25329

TABLE C: Sweep Size

Panel Width	ID
>32.9"	26381
>37.8"	26380
>42.7"	26379
>47.4"	26378
>52.5"	26377
>57.5"	26311
>62.1"	26047
>66.7"	26374
>71.7"	26375
>76.4"	26387
>81.1"	26388
>85.75"	26389
>90.6"	26450
MAX SINGLE CLOSER LENGTH IS 94"	

Description		Tables
File Name	Series 4400-T Fritsjurgens Archetype H Assembly	REV
Released	12/2/2019	SHEET 6 OF 6

PROPRIETARY AND CONFIDENTIAL

THE INFORMATION CONTAINED IN THIS DRAWING IS THE SOLE PROPERTY OF FLEETWOOD WINDOWS & DOORS.
ANY REPRODUCTION IN PART OR AS A WHOLE WITHOUT THE WRITTEN PERMISSION OF FLEETWOOD WINDOWS & DOORS IS PROHIBITED.